



US00D355590S

United States Patent [19]

[11] Patent Number: Des. 355,590

Kuwata

[45] Date of Patent: ** Feb. 21, 1995

[54] SHELF JOINT

Attorney, Agent, or Firm—Eric P. Schellin

[75] Inventor: Yuji Kuwata, Shizuoka, Japan

[57] CLAIM

[73] Assignee: Yazaki Industrial Chemical Co. Ltd.,
Shizuoka, Japan

The ornamental design for a shelf joint, as shown and described.

[**] Term: 14 Years

DESCRIPTION

[21] Appl. No.: 954,069

FIG. 1 is a front elevational view of a shelf joint showing my new design;

[22] Filed: Sep. 30, 1992

FIG. 2 is a rear elevational view;

[52] U.S. Cl. D8/382

FIG. 3 is a top plan view;

[58] Field of Search D8/382, 396; D21/108;
403/169, 170, 217-219, 286, 300, 305, 306, 309,
310, 312, 313, 405.1, 205

FIG. 4 is a bottom plan view;

FIG. 5 is a left side elevational view;

FIG. 6 is a right side elevational view;

[56] References Cited

U.S. PATENT DOCUMENTS

D. 275,075	8/1984	Magnér	D8/382
D. 311,680	10/1990	Miall	D8/382
2,001,215	5/1935	Ruppel	403/306
2,839,320	6/1958	Hill	D8/382
3,502,357	3/1970	Wagner	403/205
4,864,795	9/1989	Burg	403/312
5,015,116	5/1991	Nardone et al.	403/205

FIG. 7 is a sectional view taken in the direction of the arrows on line 7—7 of FIG. 1;

FIG. 8 is a sectional view taken in the direction of the arrows on line 8—8 of FIG. 1;

FIG. 9 is a sectional view taken in the direction of the arrows on line 9—9 of FIG. 3;

FIG. 10 is a top, front and right side perspective view;

FIG. 11 is an exploded top, front and right side perspective view; and,

FIG. 12 is a reduced perspective view, the broken line showing of the pipes, box, and additional connectors being for illustrative purposes only.

Primary Examiner—B. J. Bullock

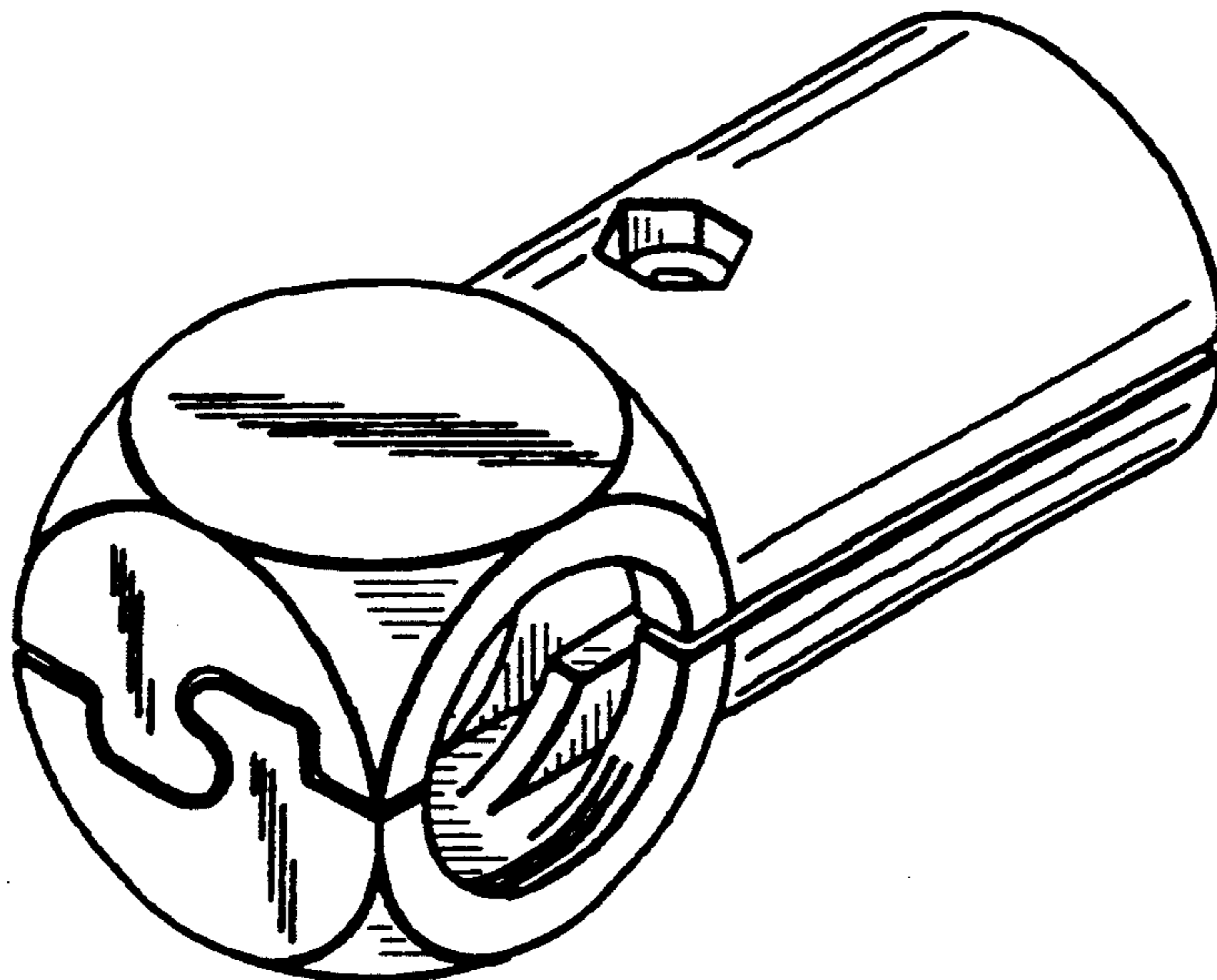


FIG. 1

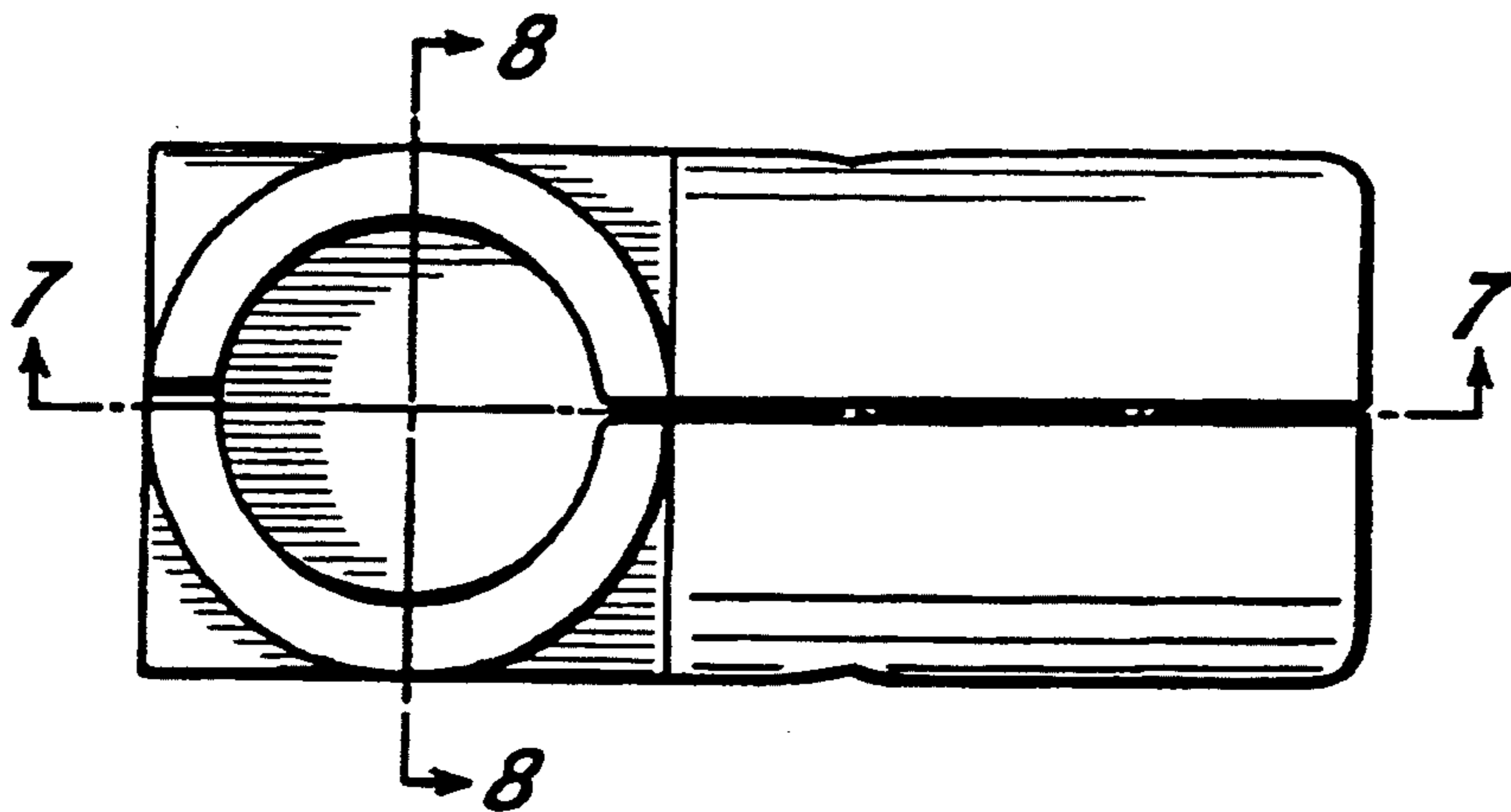


FIG. 2

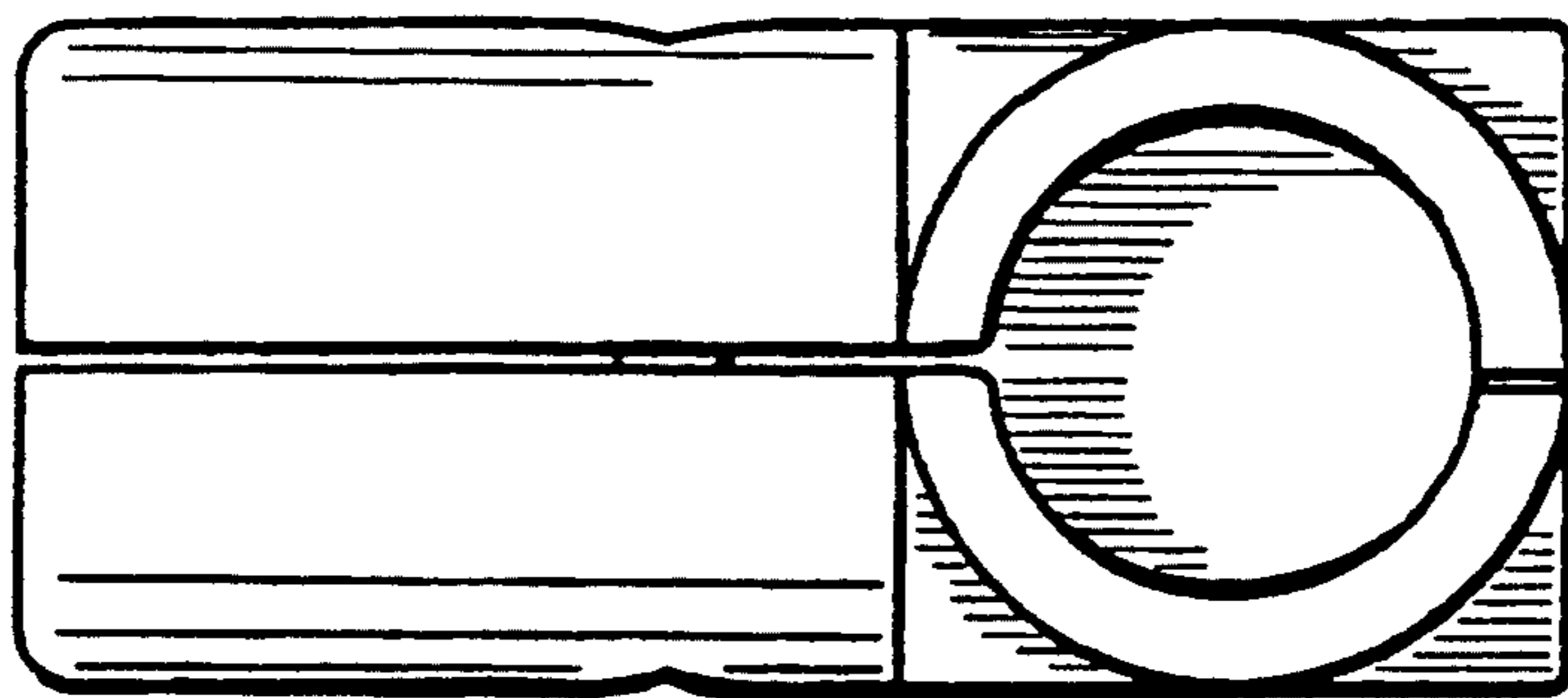


FIG. 3

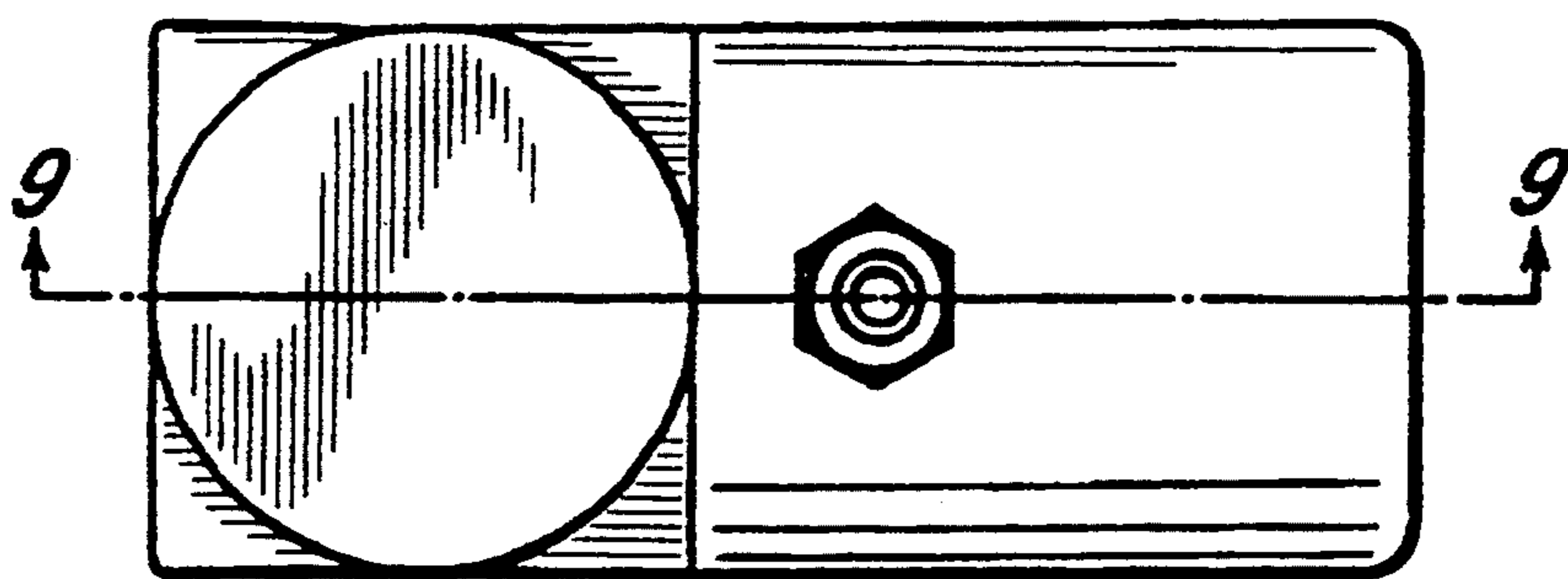


FIG. 4

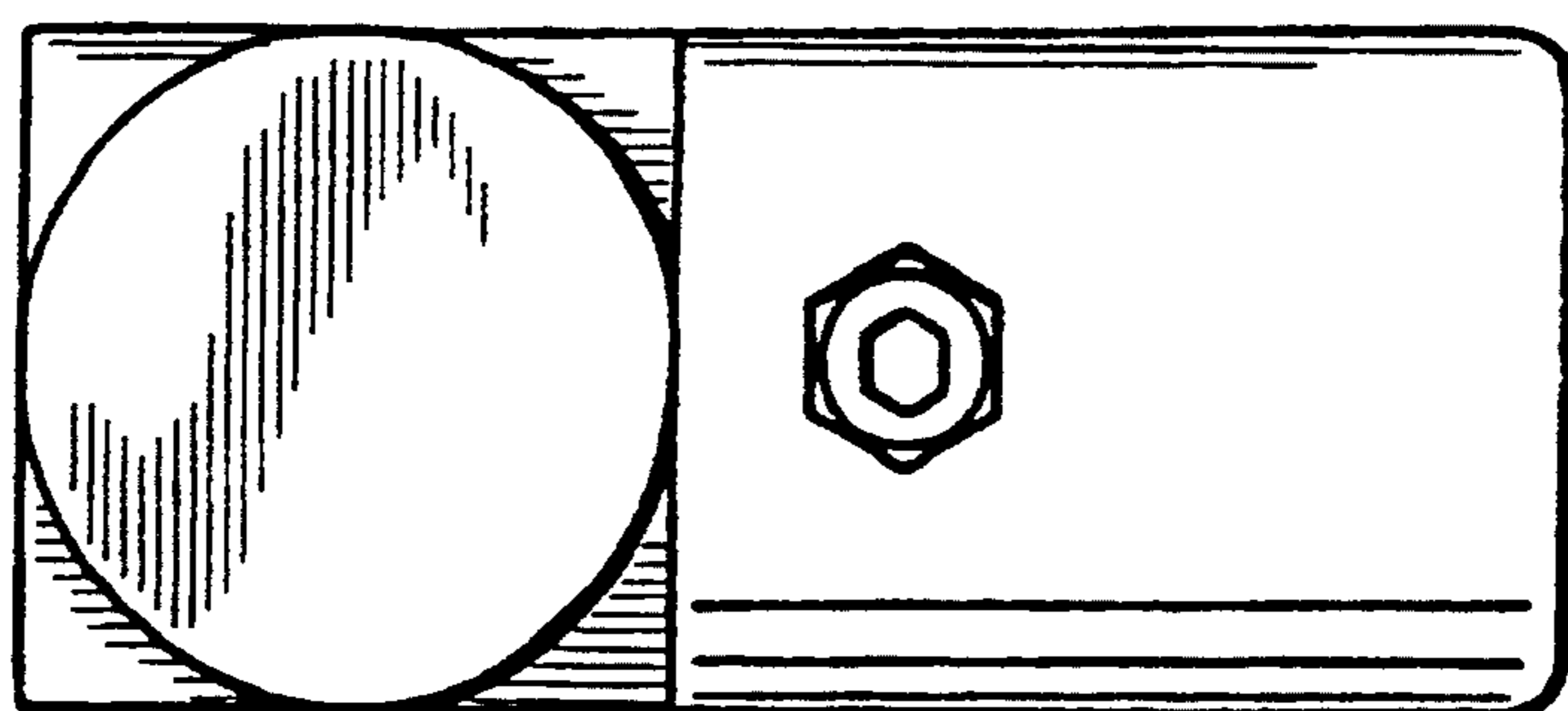


FIG. 5

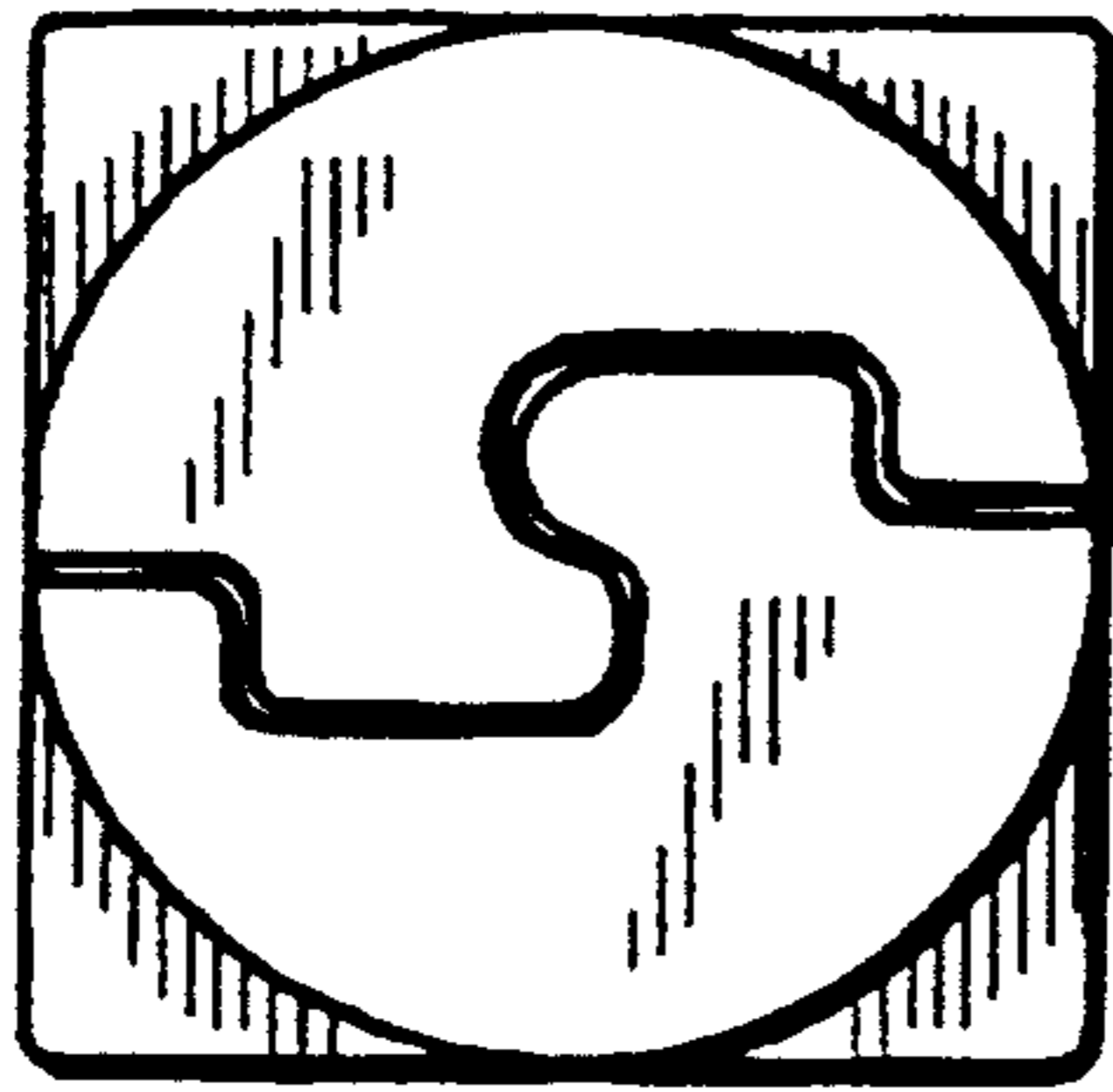


FIG. 6

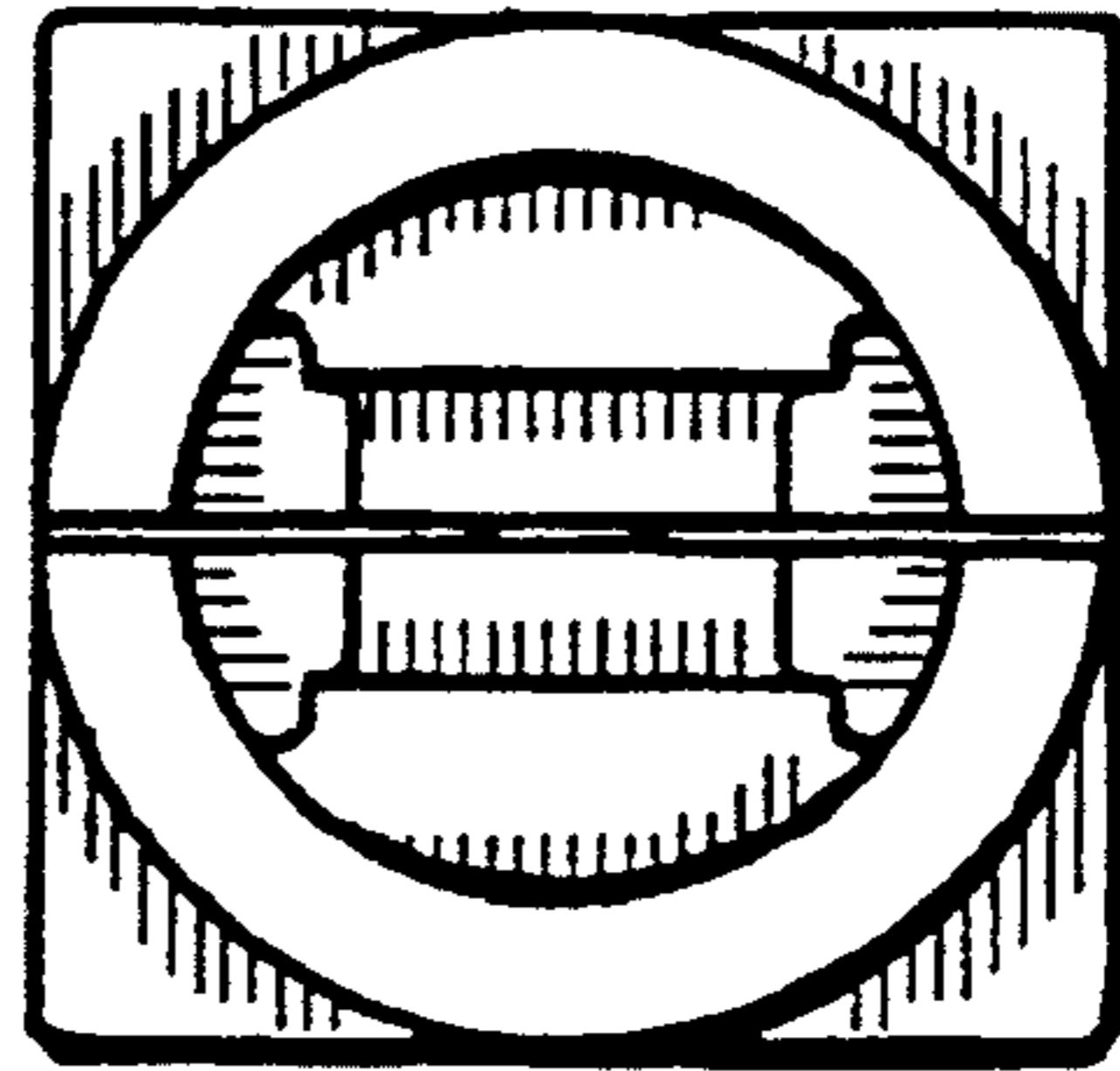


FIG. 7

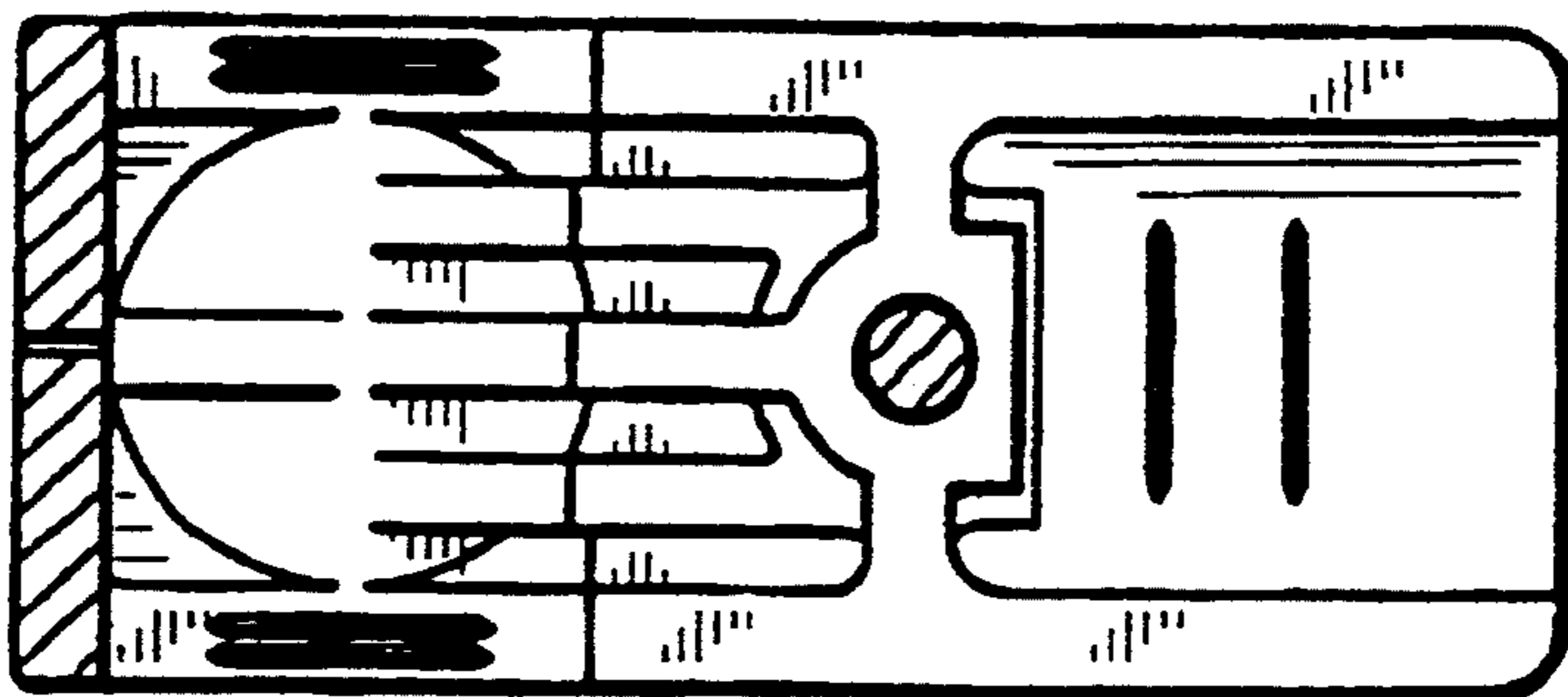


FIG. 8

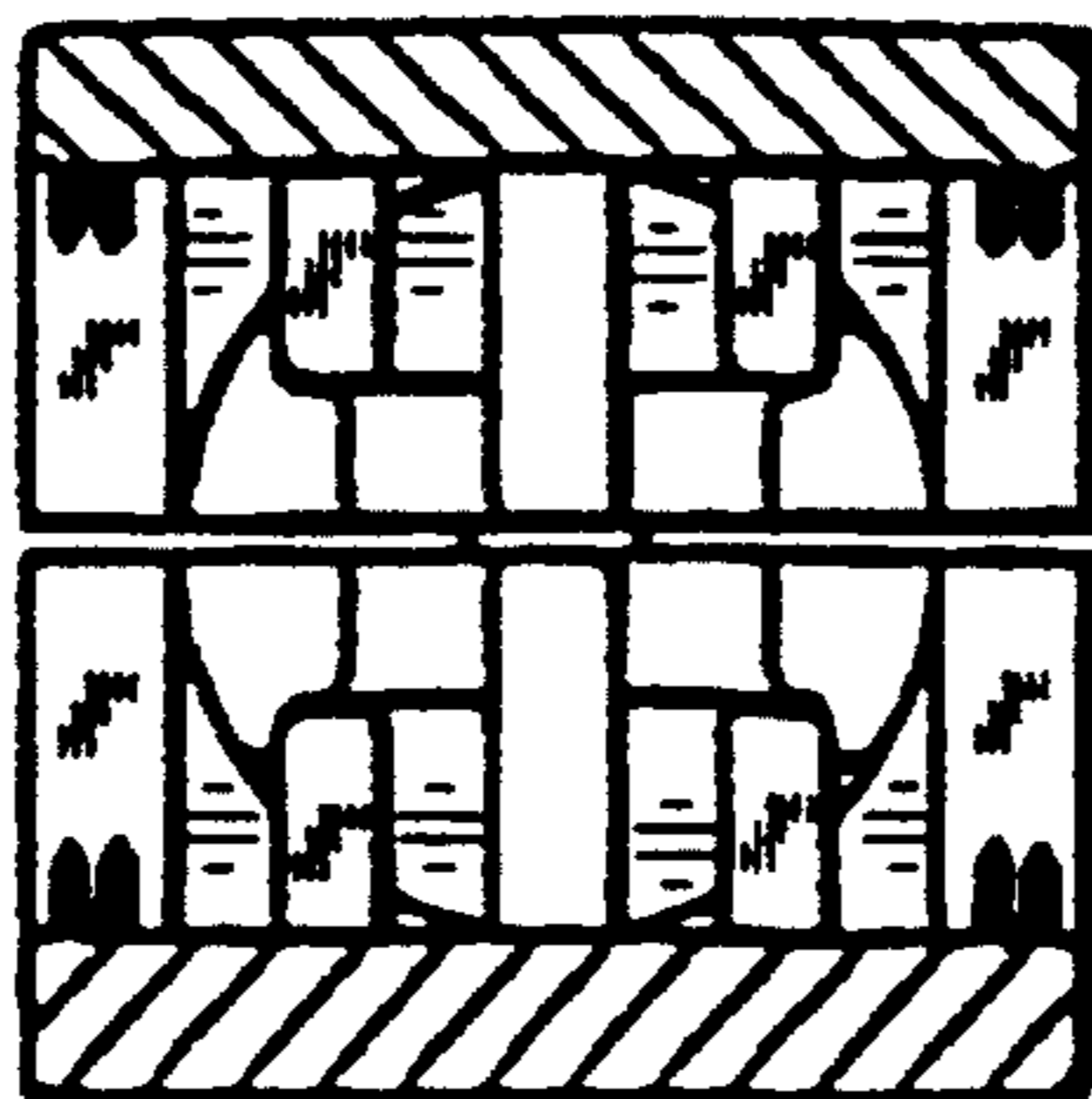


FIG. 9

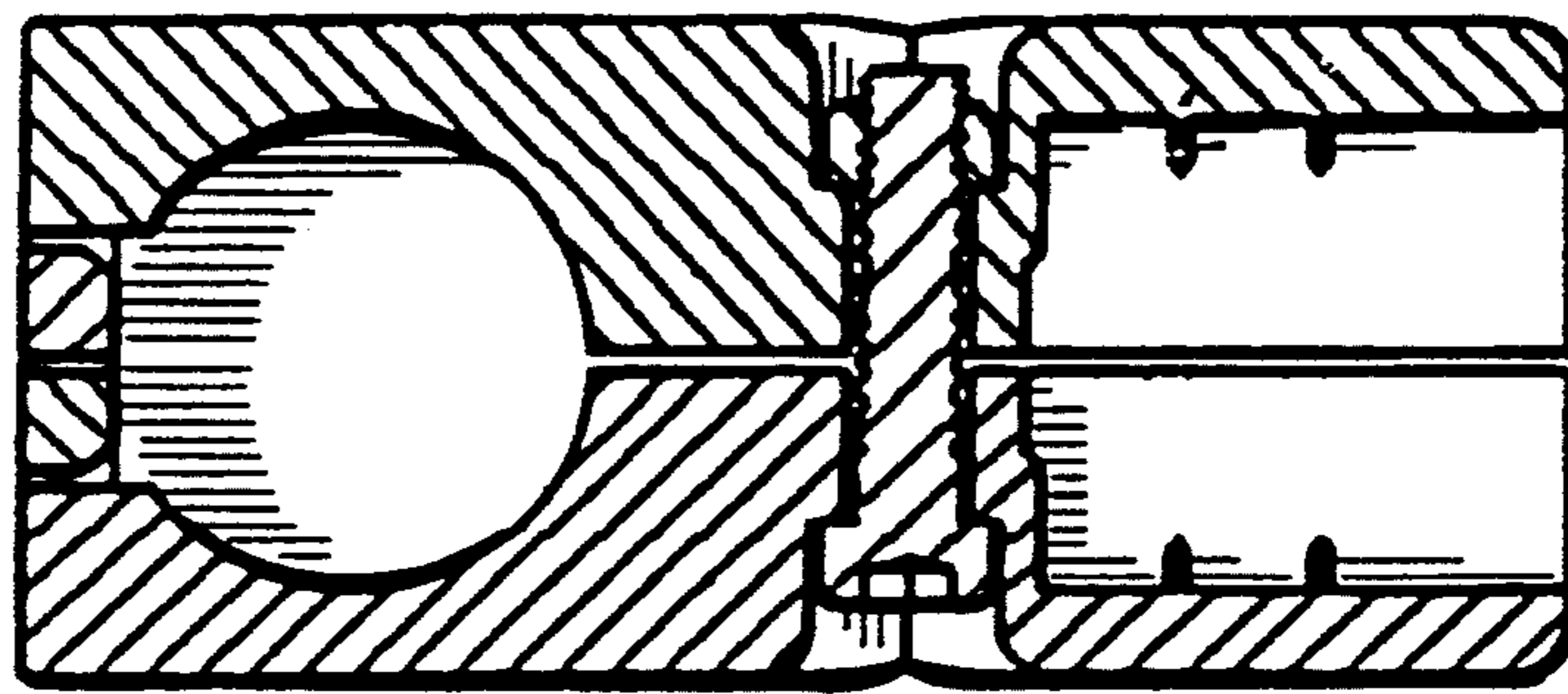


FIG. 10

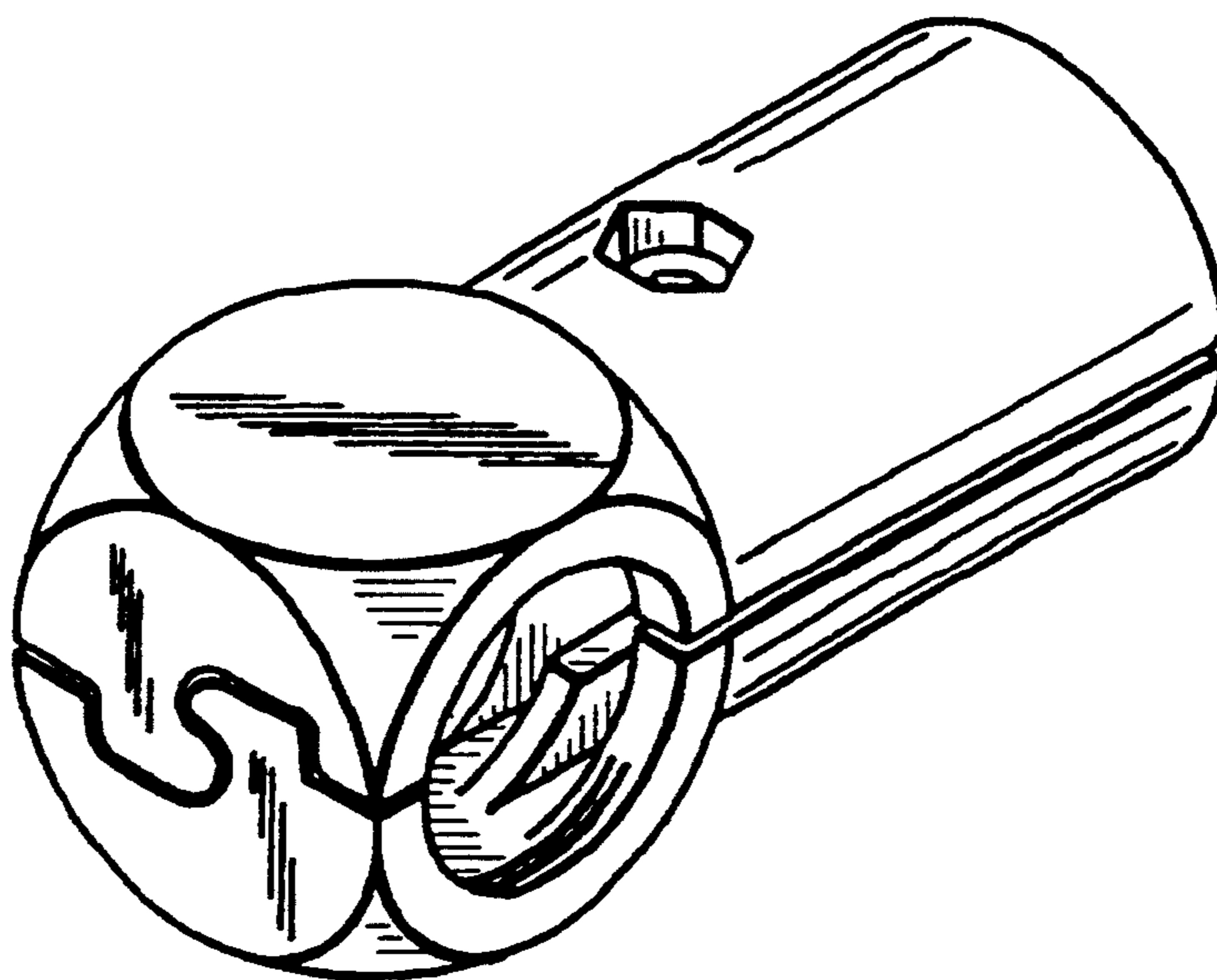


FIG. 11

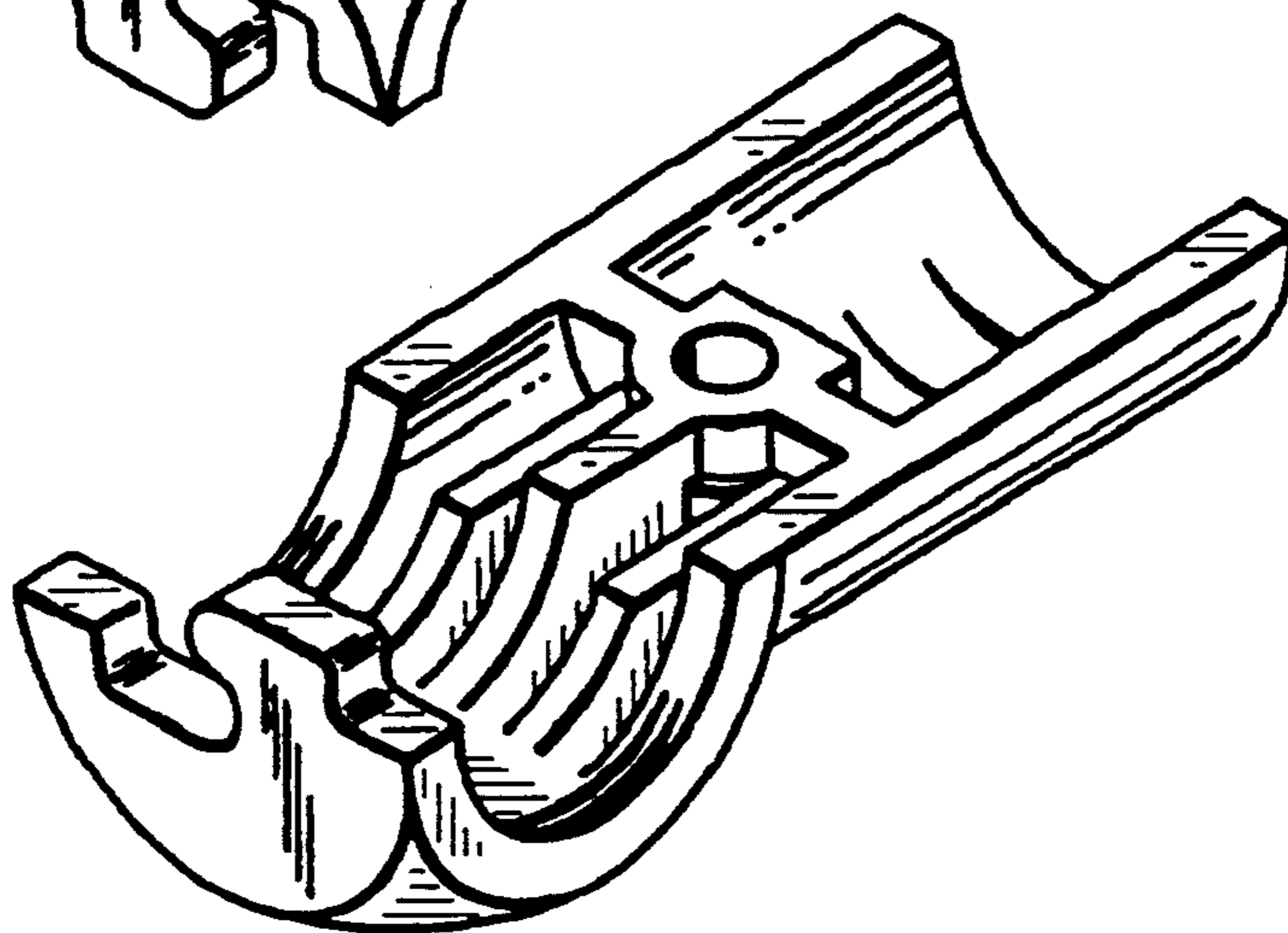
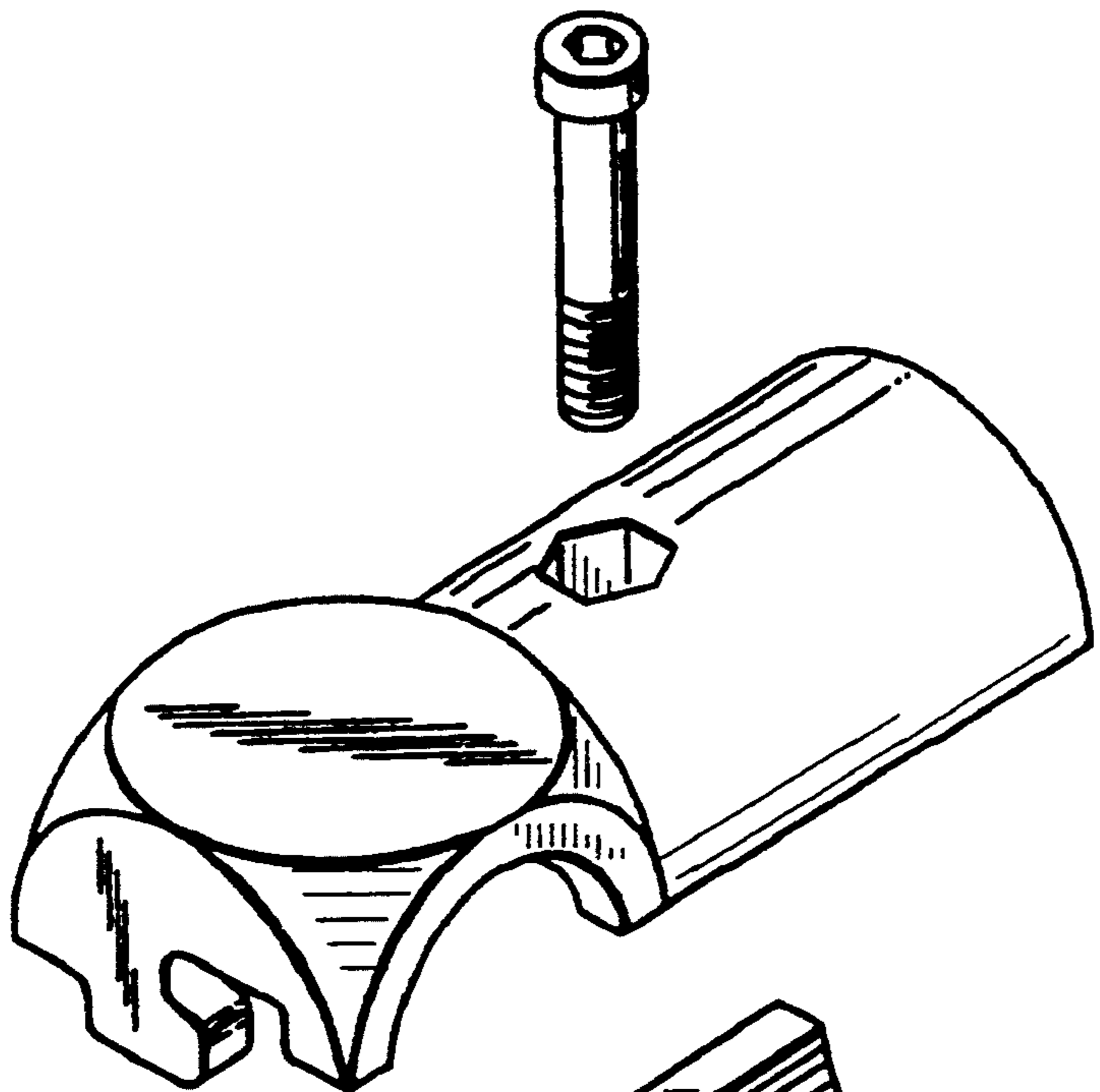


FIG. 12

