



US00D355587S

United States Patent [19]

Pozzi

[11] Patent Number: **Des. 355,587**

[45] Date of Patent: **** Feb. 21, 1995**

[54] **AWNING HOUSING**

[75] Inventor: **Carlo M. Pozzi**, Ruvigliana, Switzerland

[73] Assignee: **Fiamma S.P.A.**, Cardano Al Campo, Italy

[**] Term: **14 Years**

[21] Appl. No.: **5,790**

[22] Filed: **Mar. 12, 1993**

[30] **Foreign Application Priority Data**

Mar. 6, 1992 [EP] European Pat. Off. 92401505

[52] U.S. Cl. **D8/377; D25/124**

[58] Field of Search **D25/57, 124; D8/376-377; 52/74-78; 160/33, 23.1, 13, 19, 39, 22, 45, 41, DIG. 5, 250, 238; 248/273**

[56] **References Cited**

U.S. PATENT DOCUMENTS

D. 292,874 11/1987 Clauss D8/377

3,991,805 11/1976 Clauss 160/22

5,044,416 9/1991 Murray 160/22

Primary Examiner—Doris Clark

Attorney, Agent, or Firm—Curtis, Morris & Safford

[57] **CLAIM**

The ornamental design for an awning housing, as shown and described.

DESCRIPTION

FIG. 1 is a front perspective view of an awning housing showing my new design;

FIG. 2 is a top plan view thereof;

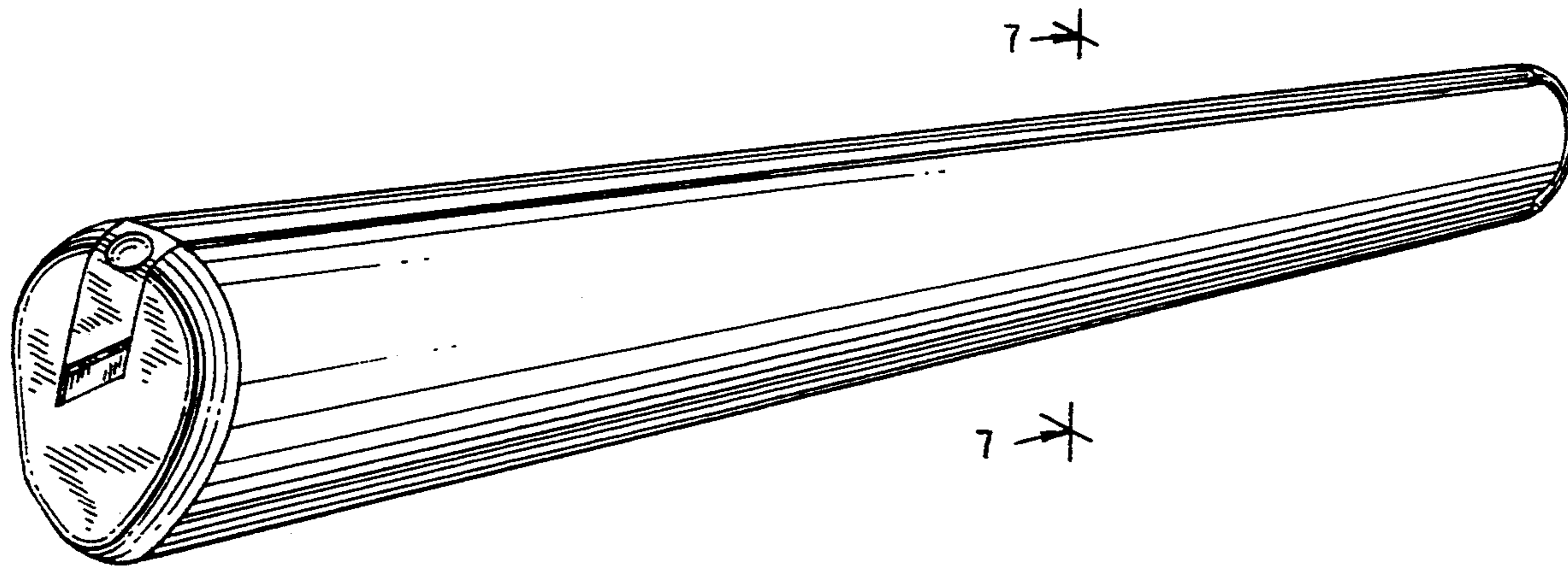
FIG. 3 is a right side elevational view thereof;

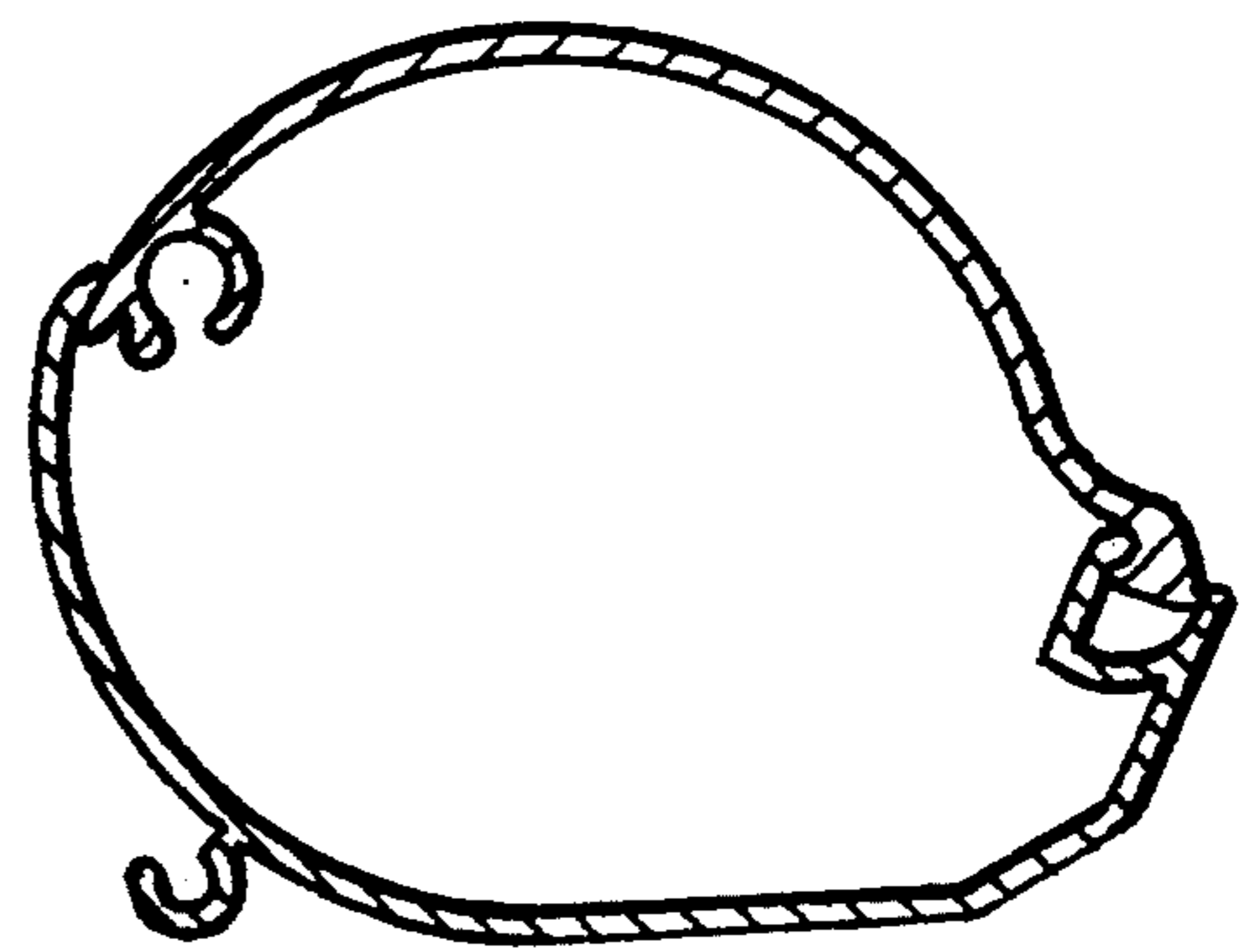
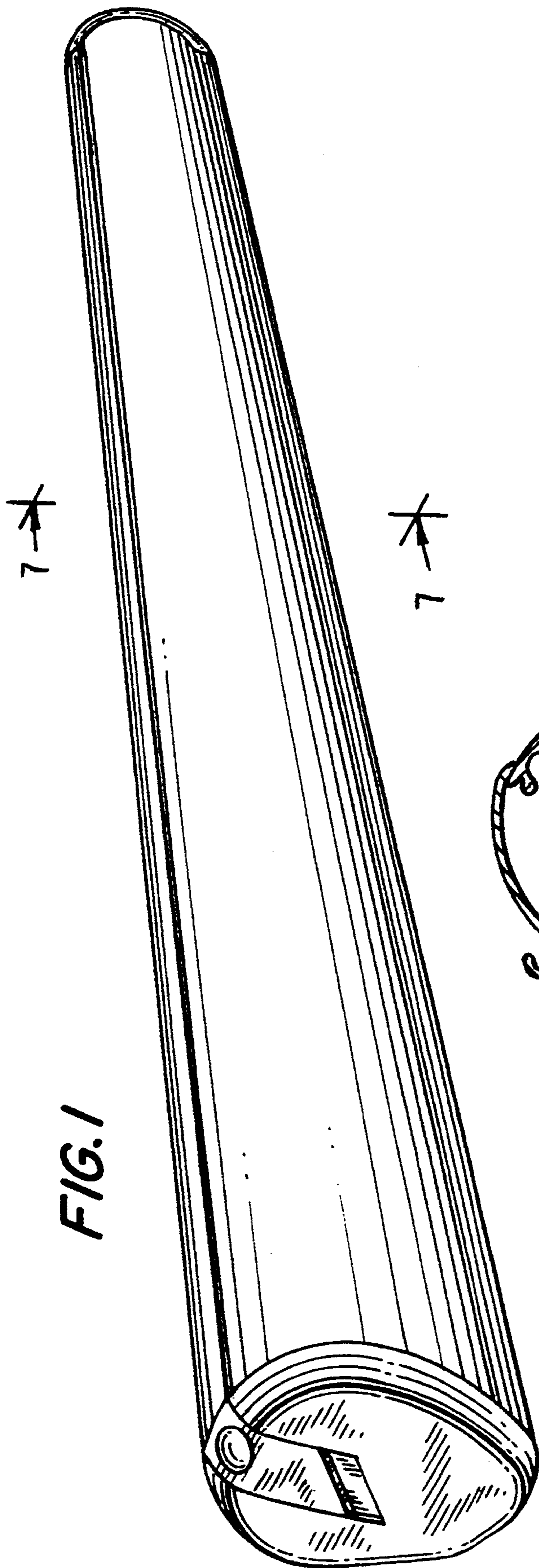
FIG. 4 is an end elevational view thereof;

FIG. 5 is a left side elevational view thereof;

FIG. 6 is a bottom view thereof; and,

FIG. 7 is a cross-sectional view taken along line 7 of FIG. 1.





7-7

7-7



FIG. 2



FIG. 3



FIG. 5



FIG. 6