



US00D355586S

# United States Patent [19]

[11] Patent Number: **Des. 355,586**

Wang

[45] Date of Patent: **\*\* Feb. 21, 1995**

[54] **LUGGAGE WHEEL**

D. 327,838 7/1992 Rebut ..... D8/375  
2,468,399 4/1949 Grossman ..... 16/18 R

[76] Inventor: **Jin-Sheng Wang**, No. 569,  
Ching-Kuo Rd., Ta-Chia Chem,  
Taichung Hsien, Taiwan, Prov. of  
China

*Primary Examiner*—Wallace R. Burke  
*Assistant Examiner*—H. Baynham  
*Attorney, Agent, or Firm*—Bacon & Thomas

[\*\*] Term: **14 Years**

[57] **CLAIM**

[21] Appl. No.: **15,927**

The ornamental design for luggage wheel, as shown and described.

[22] Filed: **Dec. 2, 1993**

**DESCRIPTION**

[52] U.S. Cl. .... **D8/375**

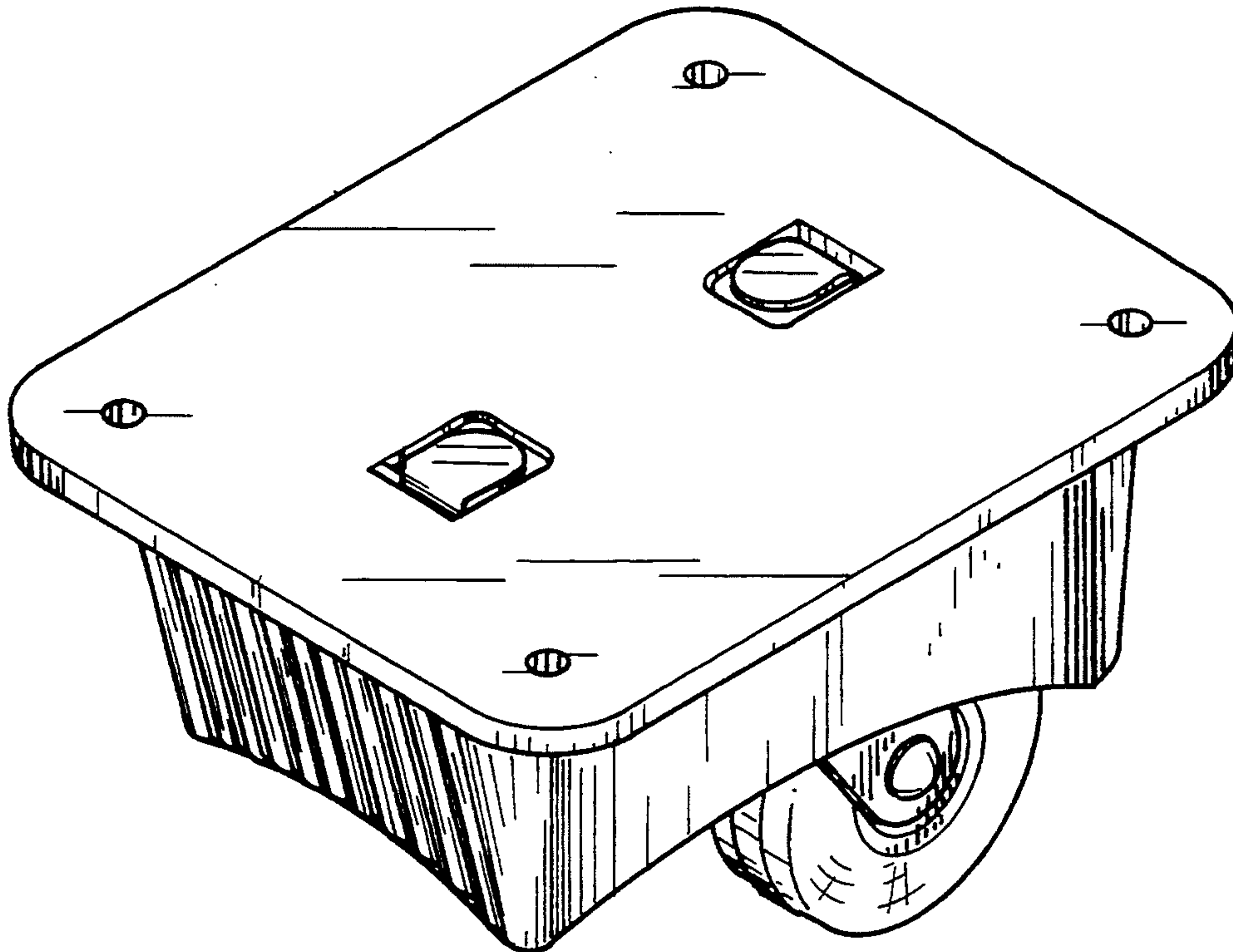
[58] Field of Search ..... D8/375; 16/18 R, 18 CG,  
16/47; 190/18 A

FIG. 1 is a perspective view of luggage wheel showing my new design thereof;  
FIG. 2 is a right side elevational view thereof;  
FIG. 3 is a rear elevational view thereof;  
FIG. 4 is a left side elevational view thereof;  
FIG. 5 is a front elevational view thereof;  
FIG. 6 is a top plan view thereof; and,  
FIG. 7 is a bottom plan view thereof.

[56] **References Cited**

**U.S. PATENT DOCUMENTS**

D. 185,032 4/1959 Moore ..... D8/375  
D. 313,928 1/1991 Orii ..... D8/375



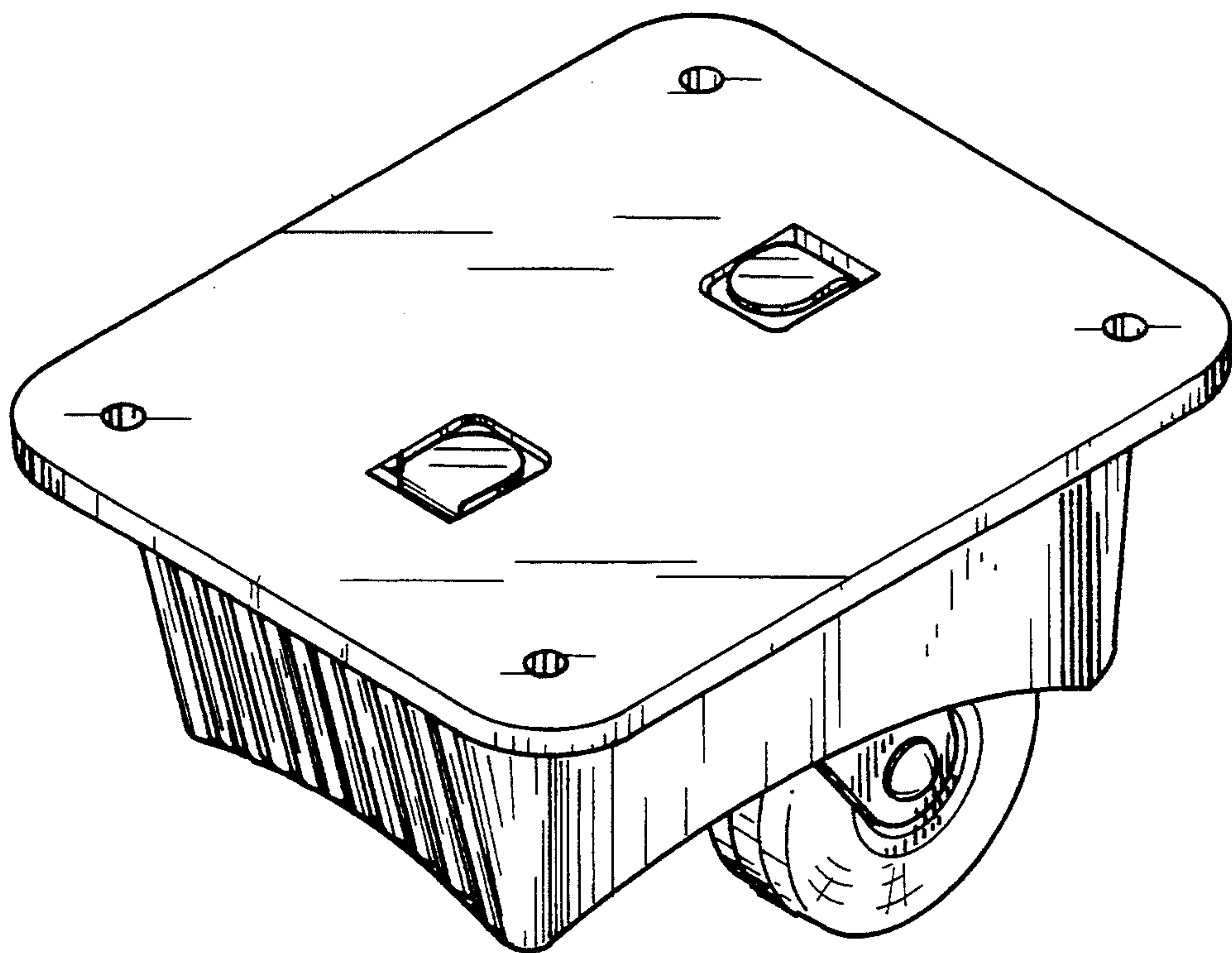


Fig. 1

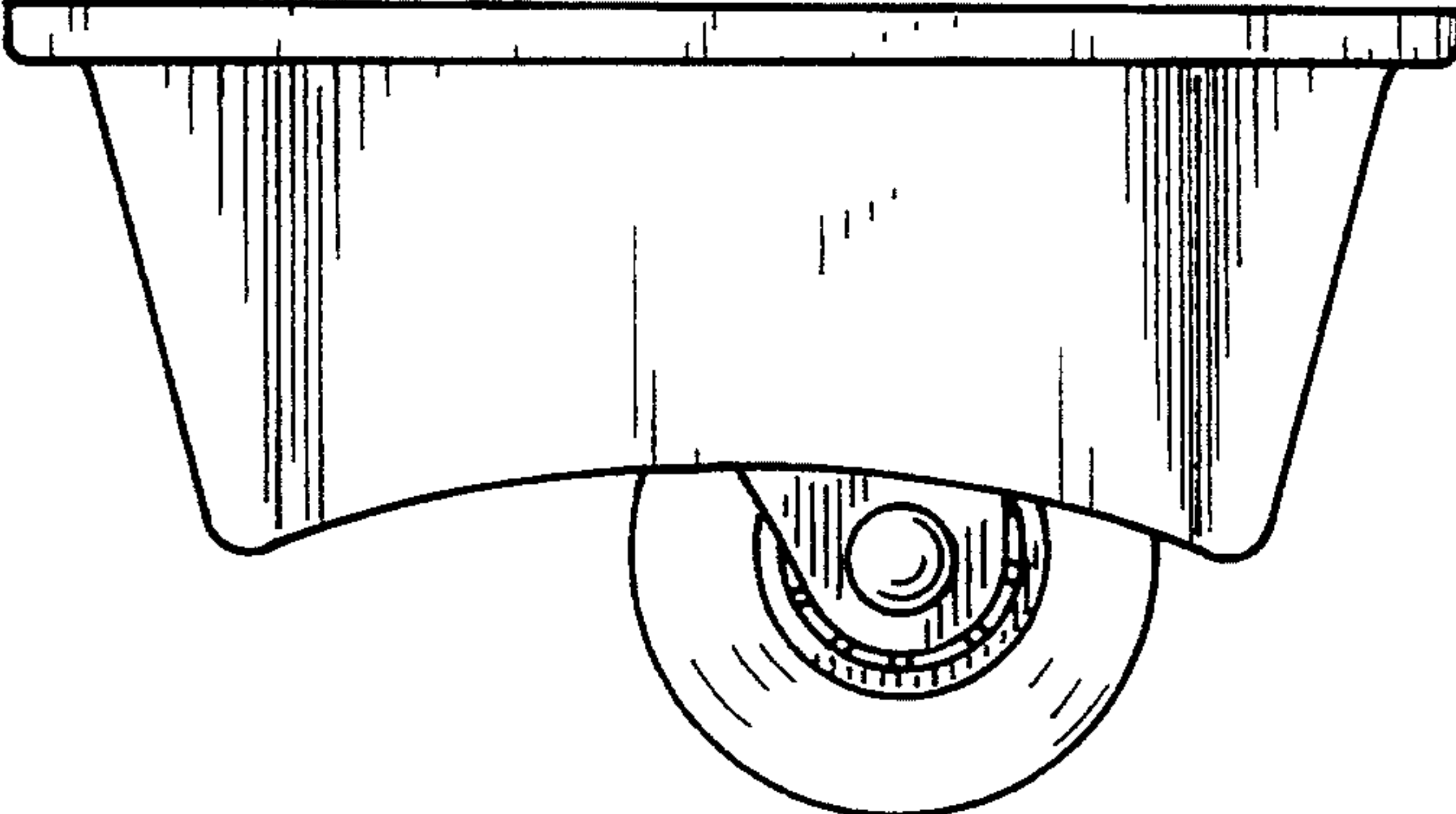


Fig . 2

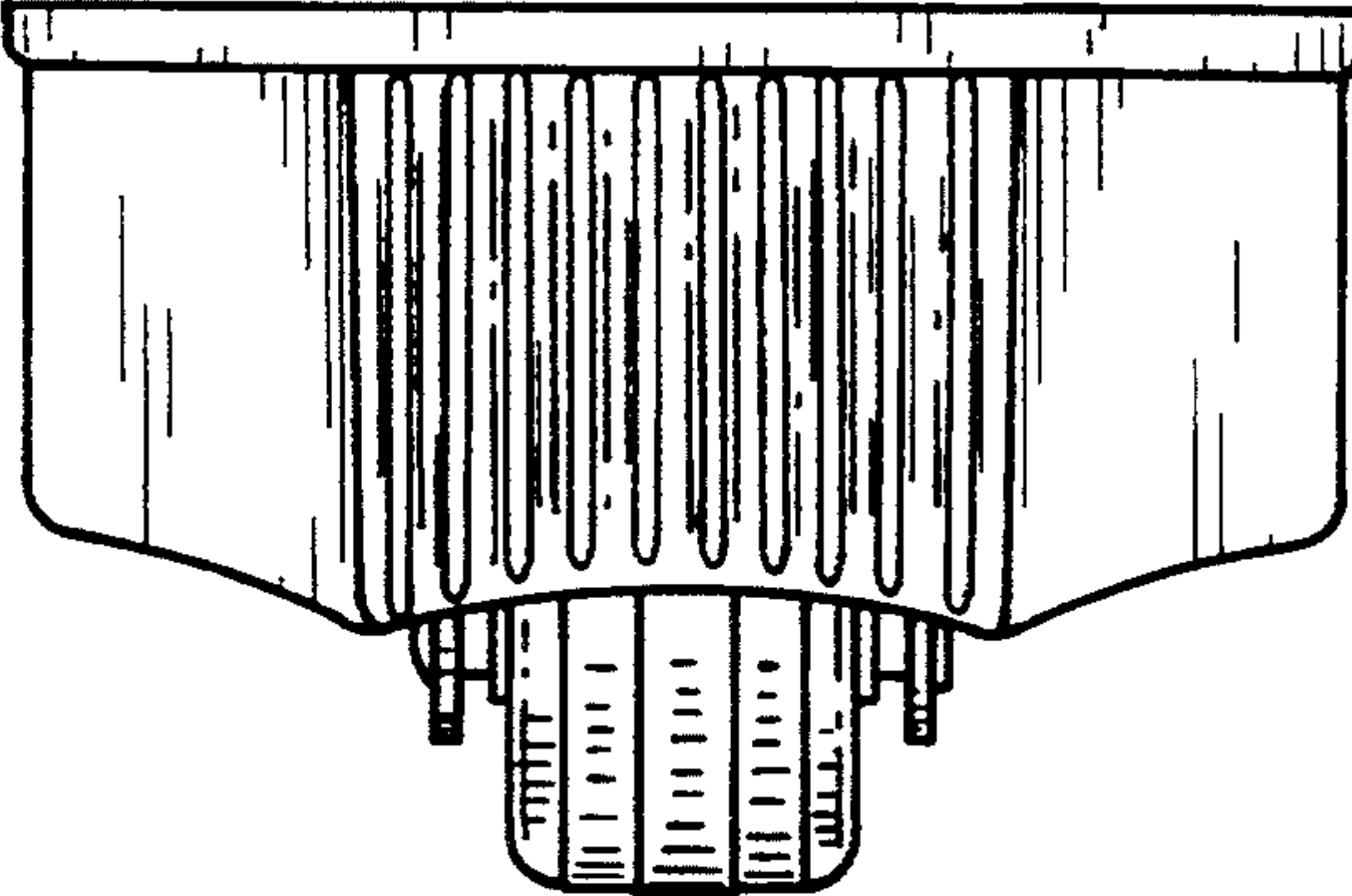


Fig . 3

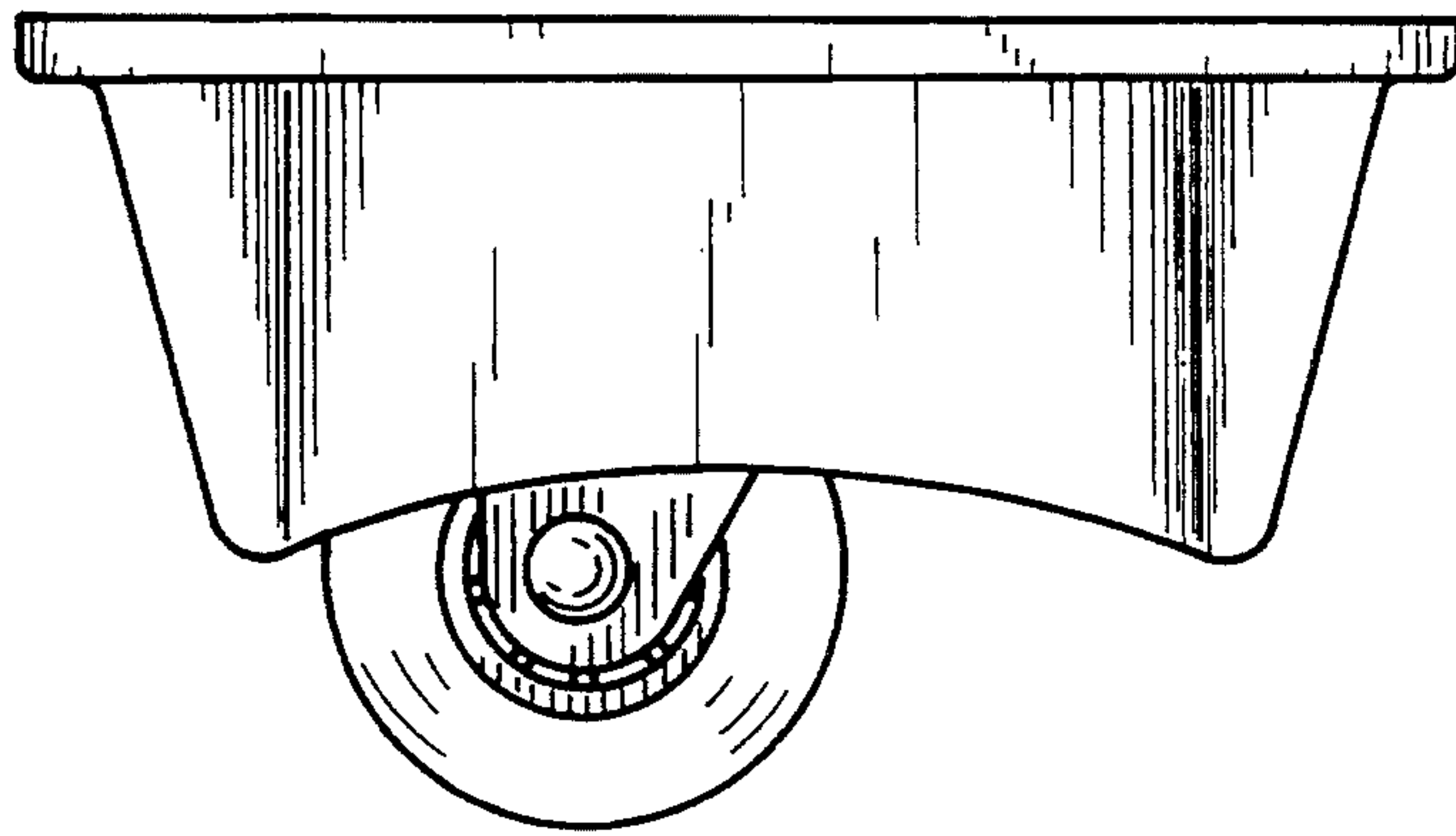


Fig . 4

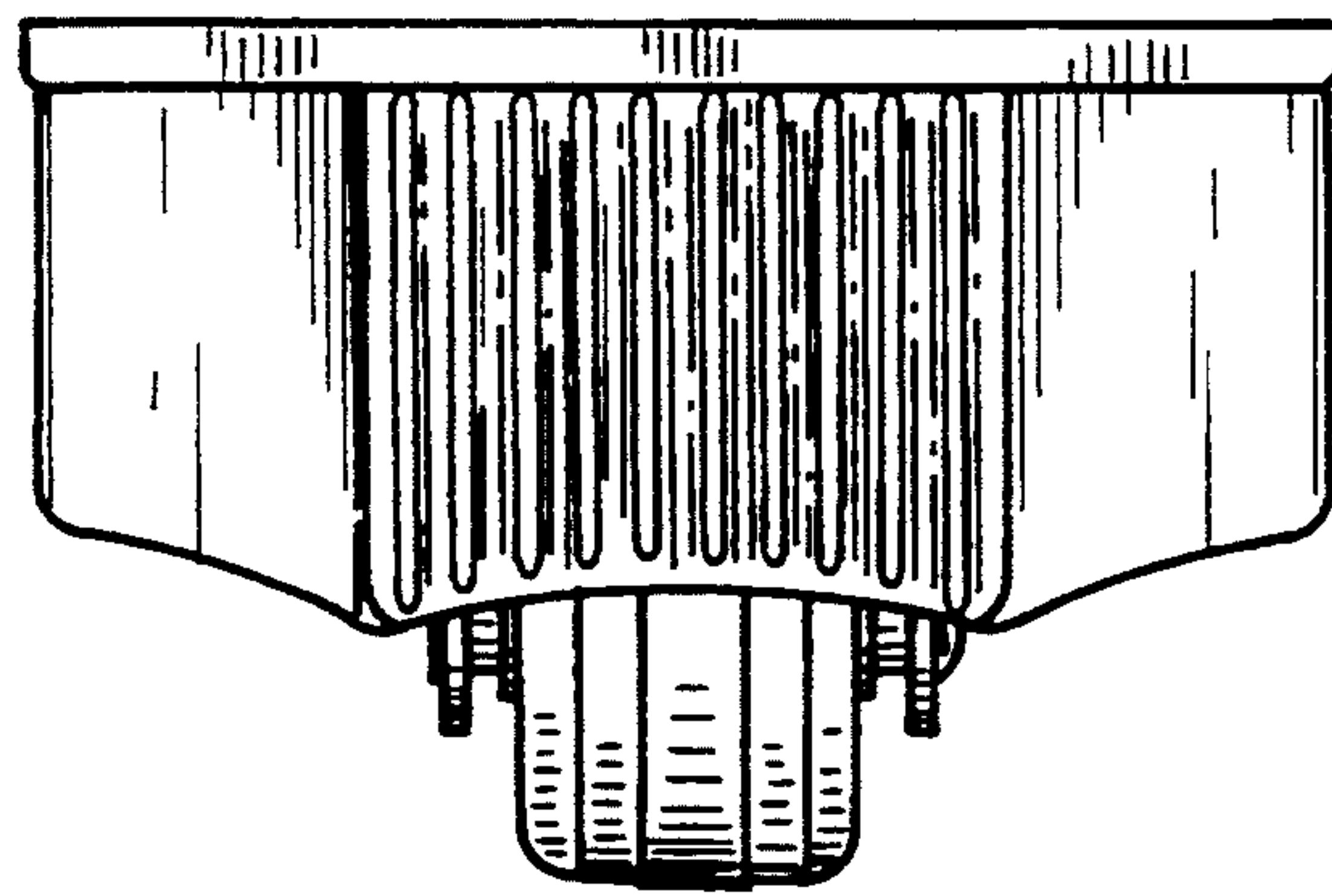


Fig . 5

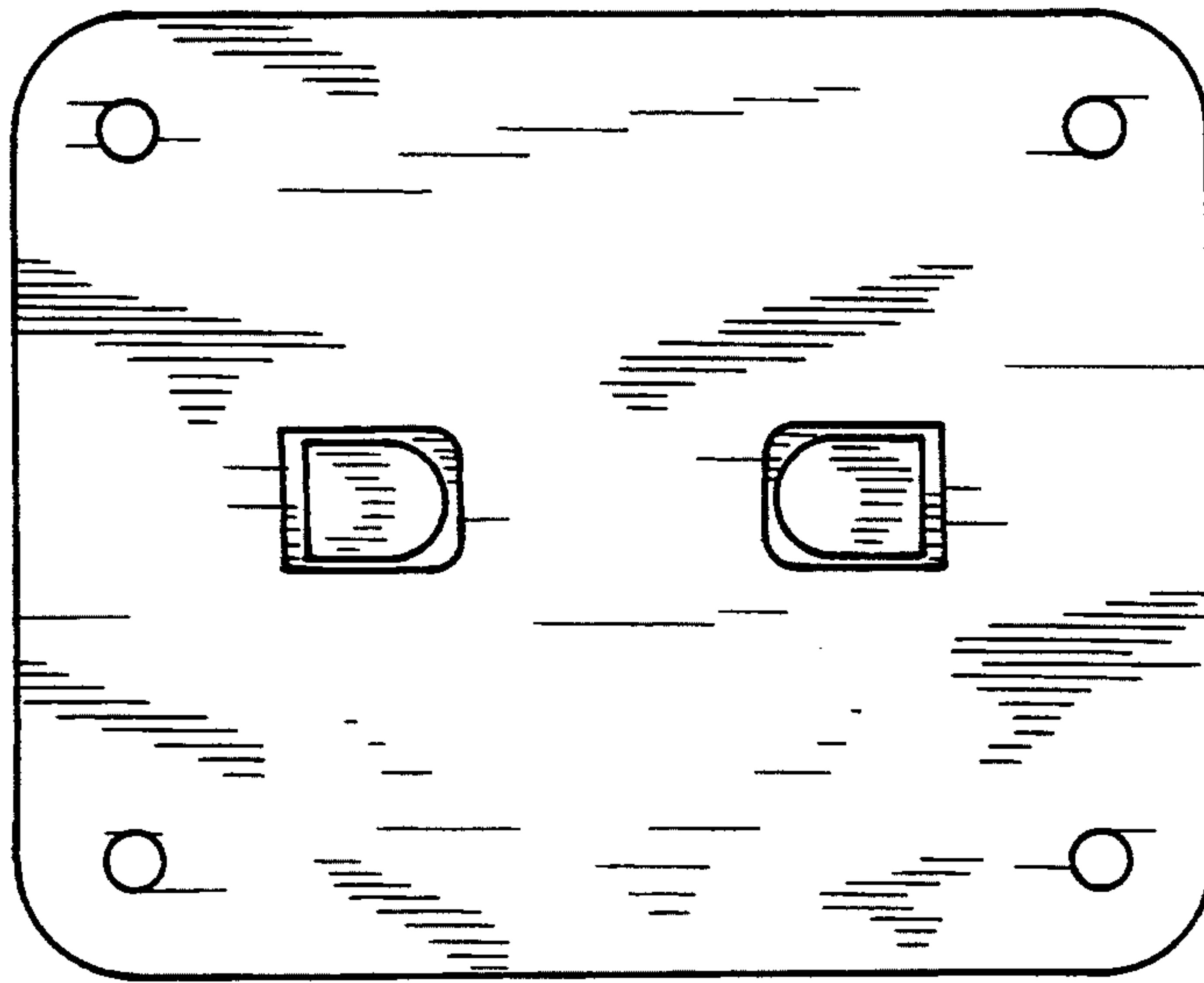


Fig. 6

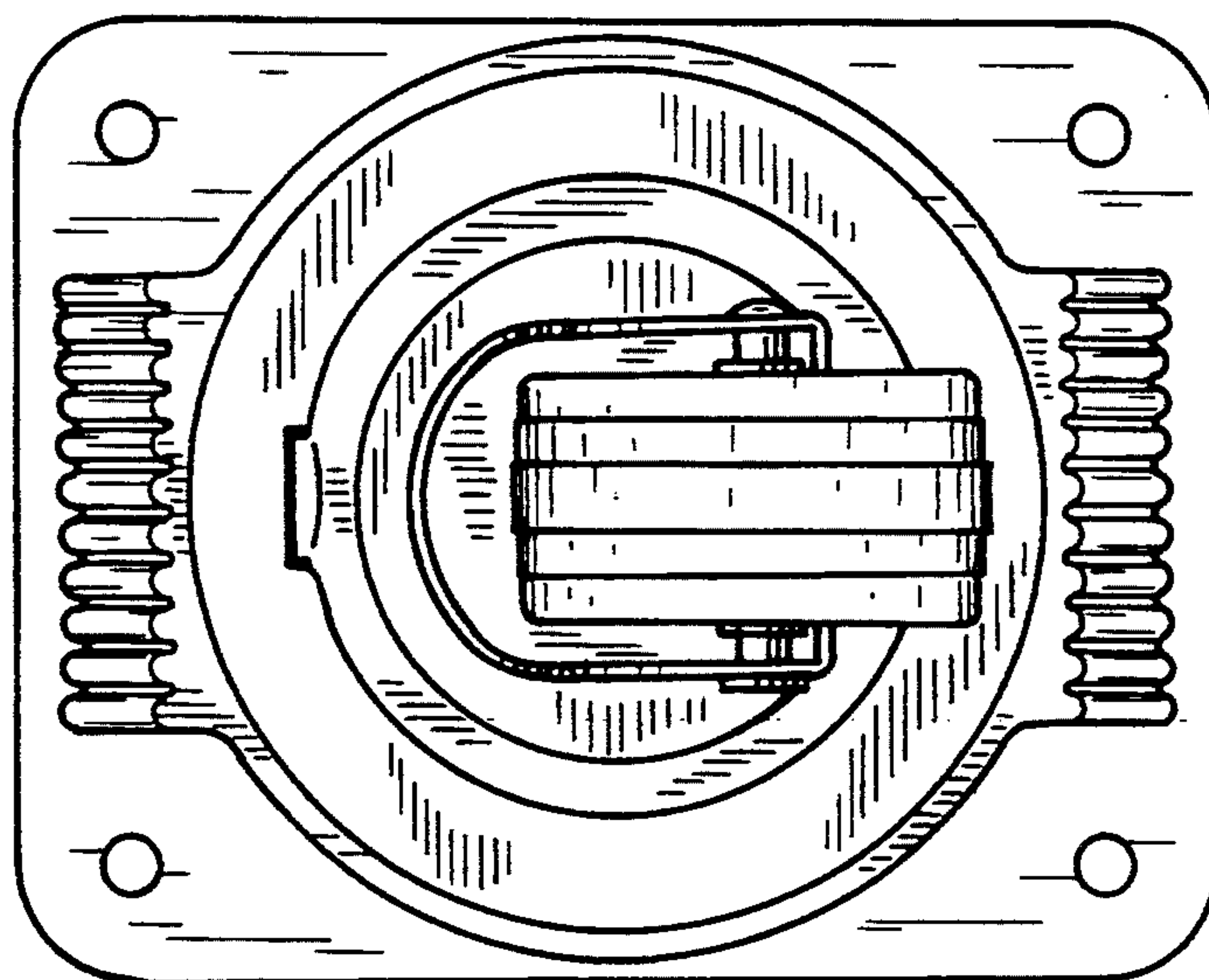


Fig. 7