



US00D355584S

United States Patent [19] Clivio

[11] Patent Number: **Des. 355,584**
[45] Date of Patent: **** Feb. 21, 1995**

[54] HOSE REEL

[75] Inventor: **Franco Clivio**, Erlenbach,
Switzerland

[73] Assignee: **Gardena Kress + Kastner GmbH**,
Germany

[**] Term: **14 Years**

[21] Appl. No.: **17,188**

[22] Filed: **Jan. 6, 1994**

[30] **Foreign Application Priority Data**

Jul. 6, 1993 [DE] Germany M9305289.8

[52] U.S. Cl. **D8/359**

[58] Field of Search D8/358, 359; 242/86,
242/86.1, 77

[56] **References Cited**

U.S. PATENT DOCUMENTS

D. 330,506 10/1992 Clivio D8/359
D. 330,847 11/1992 Clivio D8/359

OTHER PUBLICATIONS

Suncrest Catalog, 1987, no page number, hose reels at top and bottom of page.

Gardena Catalog, pp. 49-50, 1992.

Primary Examiner—Wallace R. Burke

Assistant Examiner—H. Baynham

Attorney, Agent, or Firm—Quarles & Brady

[57] **CLAIM**

The ornamental design for a hose reel, as shown and described.

DESCRIPTION

FIG. 1 is a side perspective view of a hose reel showing my new design;

FIG. 2 is a side elevational view thereof;

FIG. 3 is a front elevation view thereof;

FIG. 4 is a top plan view thereof;

FIG. 5 is a bottom plan view thereof;

FIG. 6 is an opposite side elevation view thereof; and,

FIG. 7 is a rear elevation view thereof.

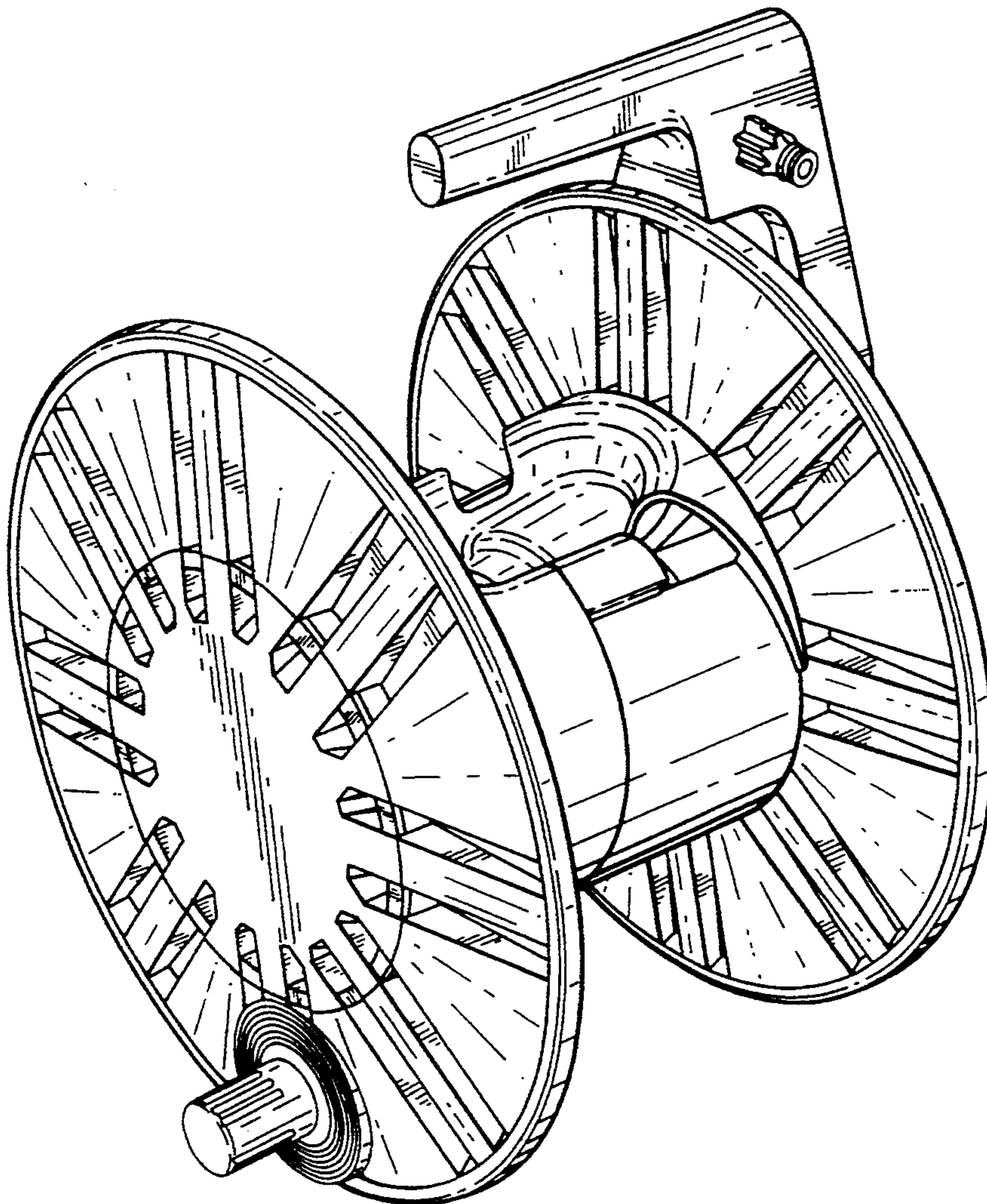


Fig. 1

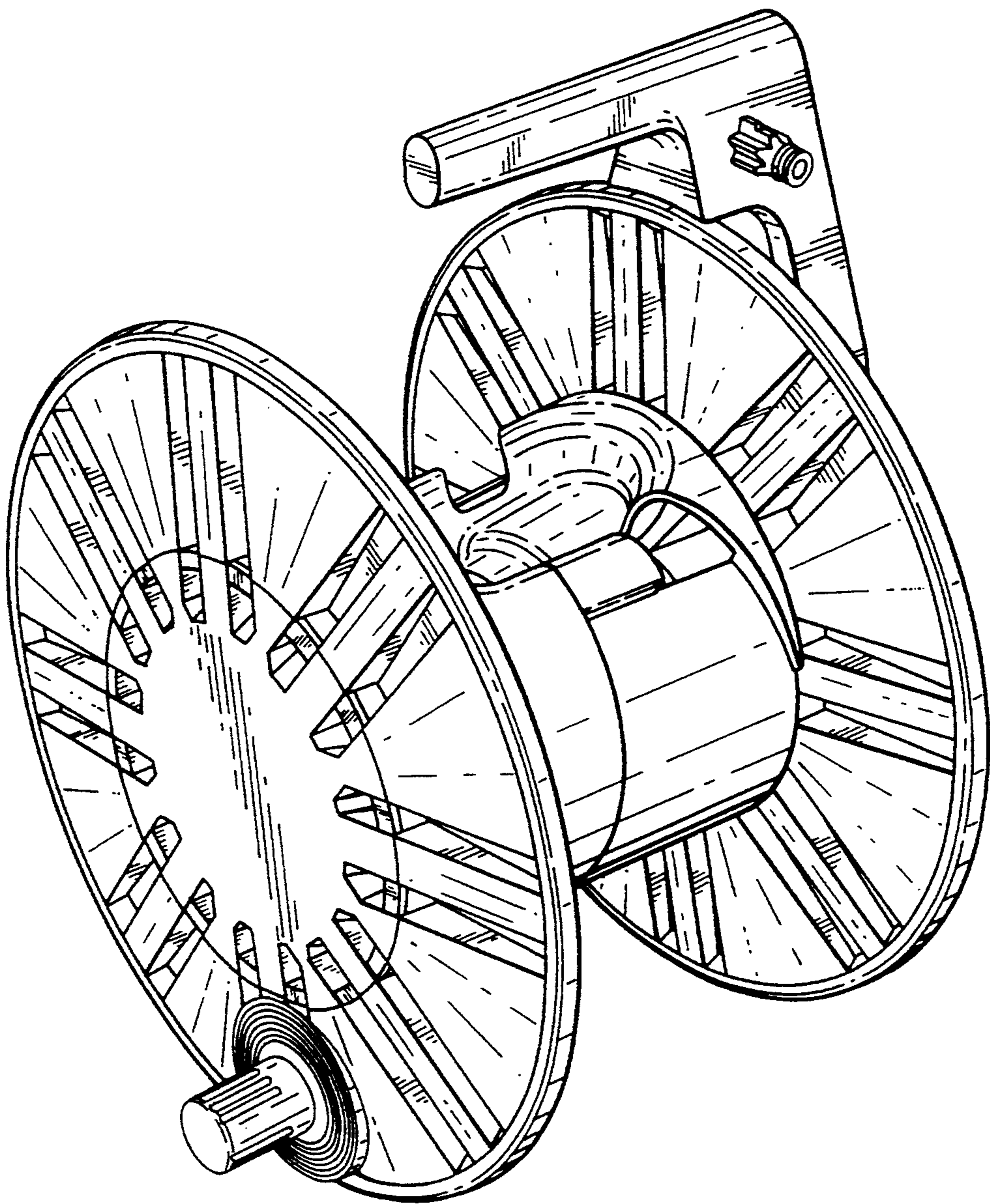


Fig. 3

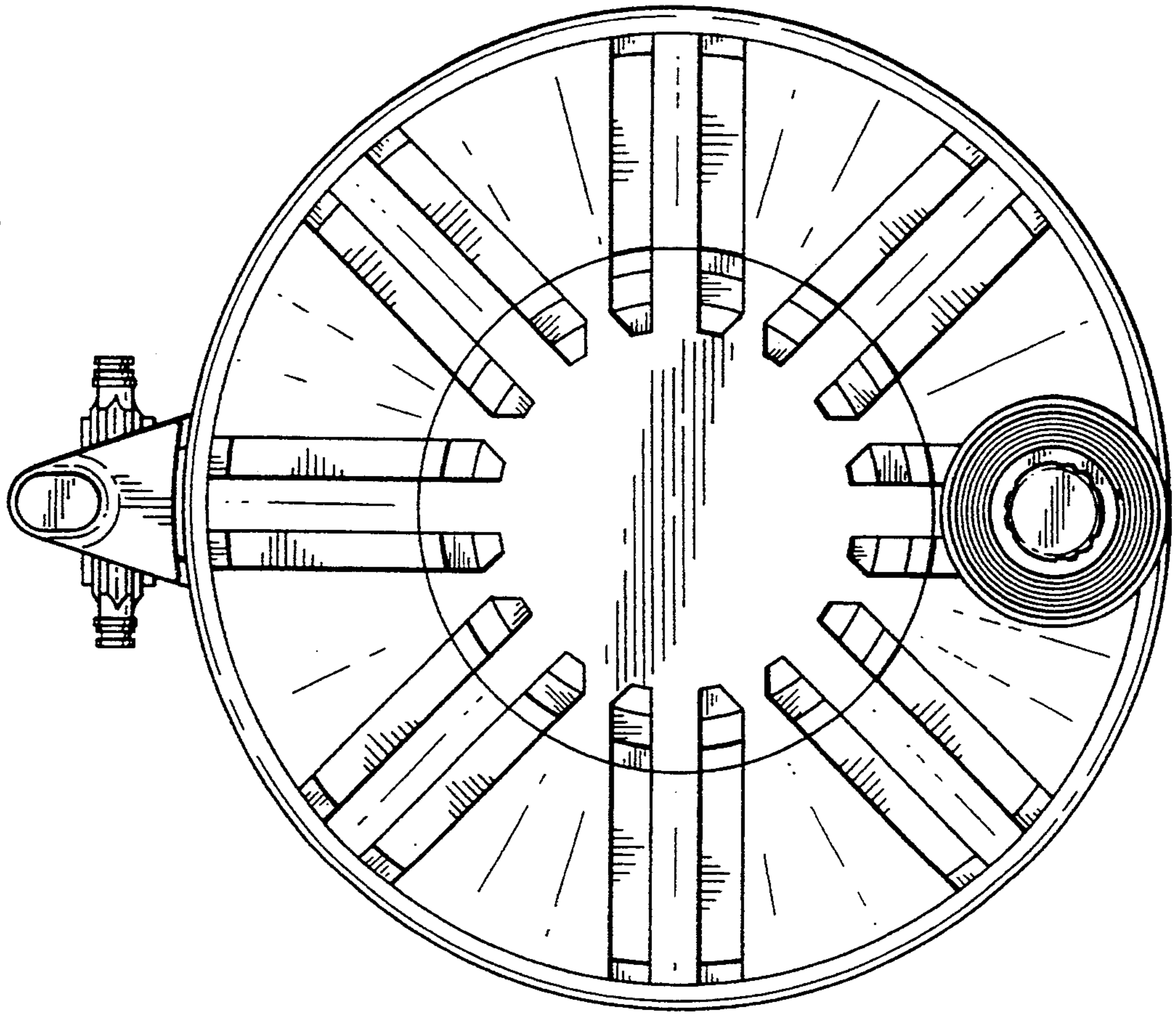


Fig. 2

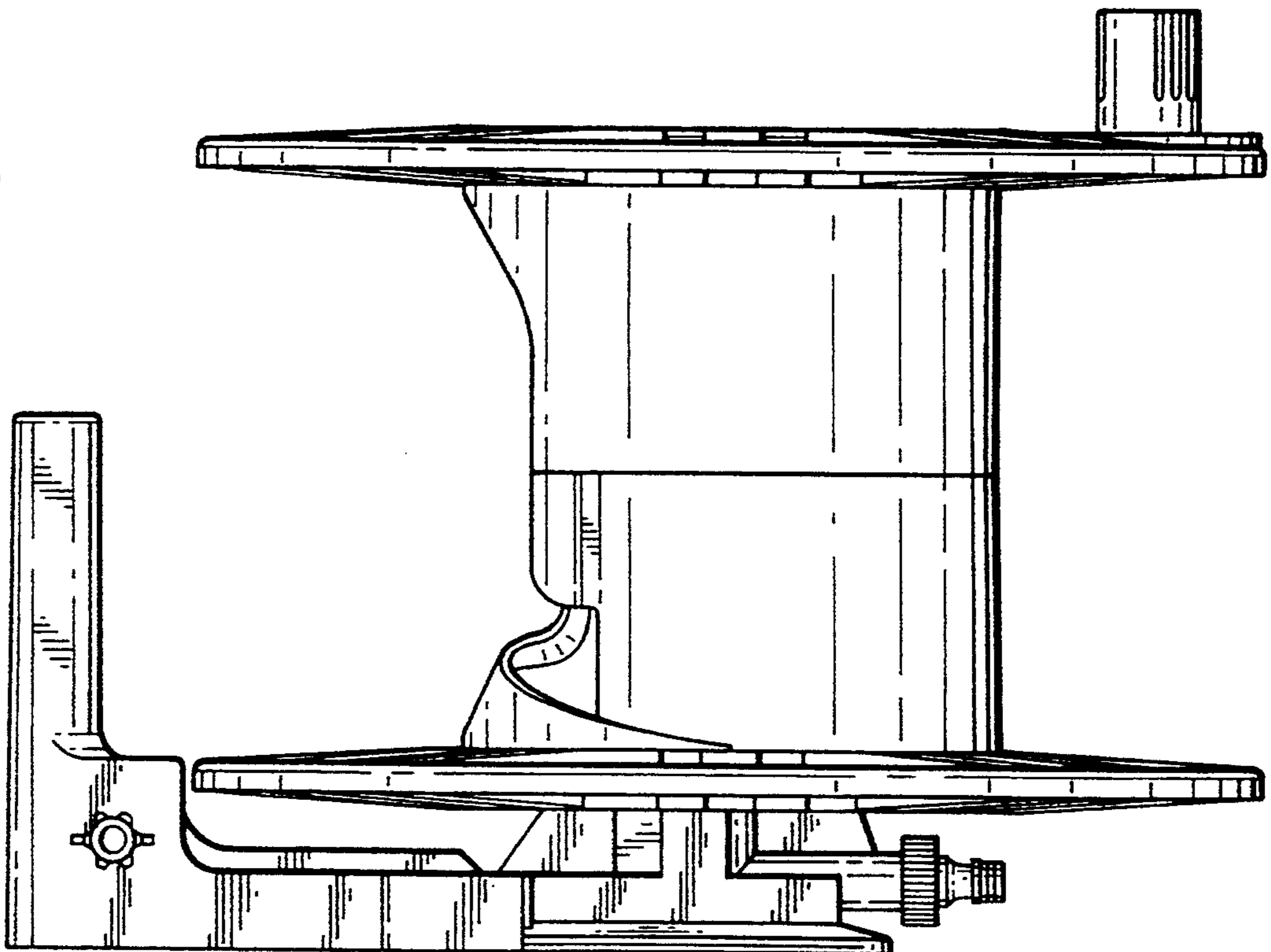


Fig. 5

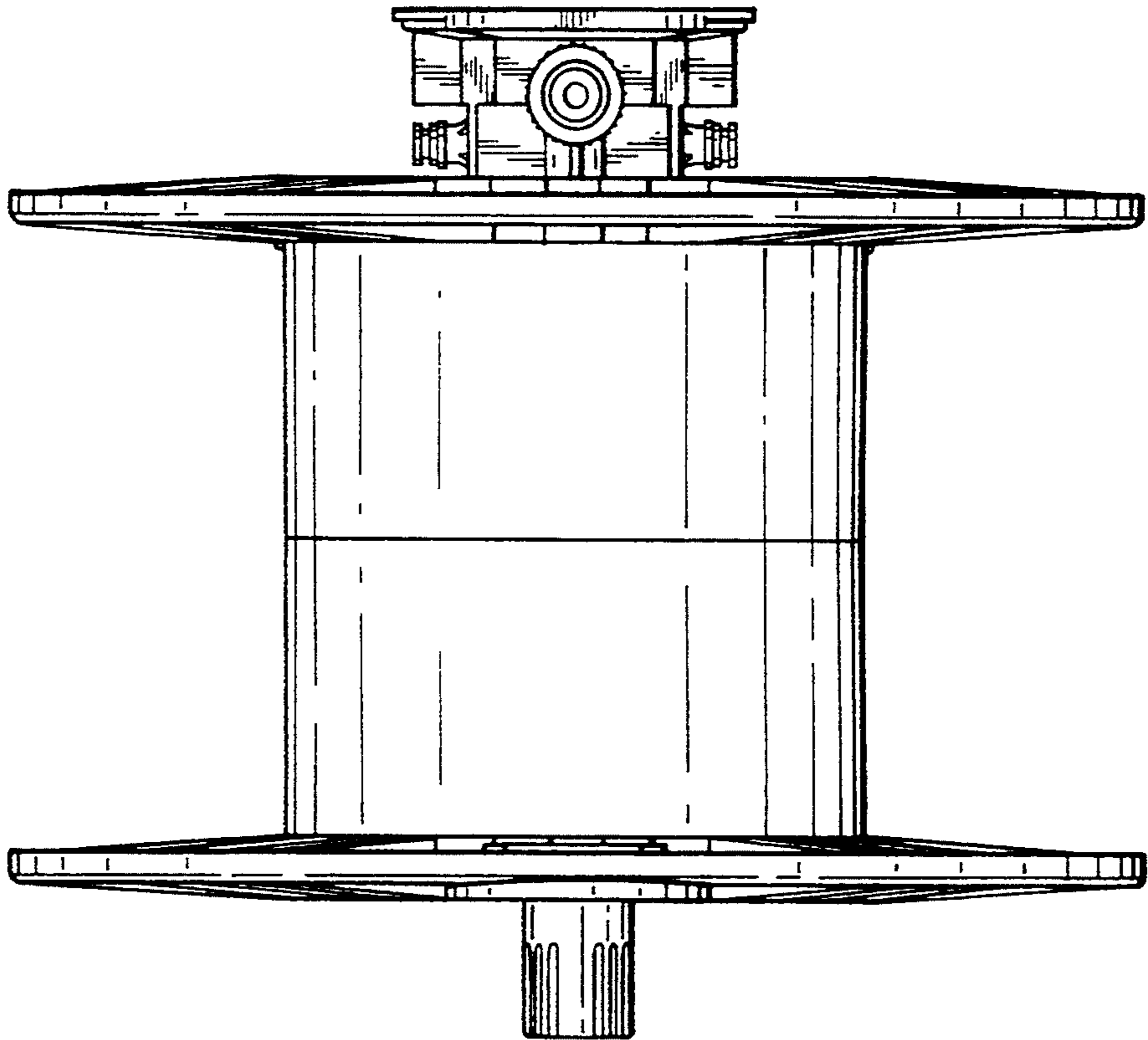


Fig. 4

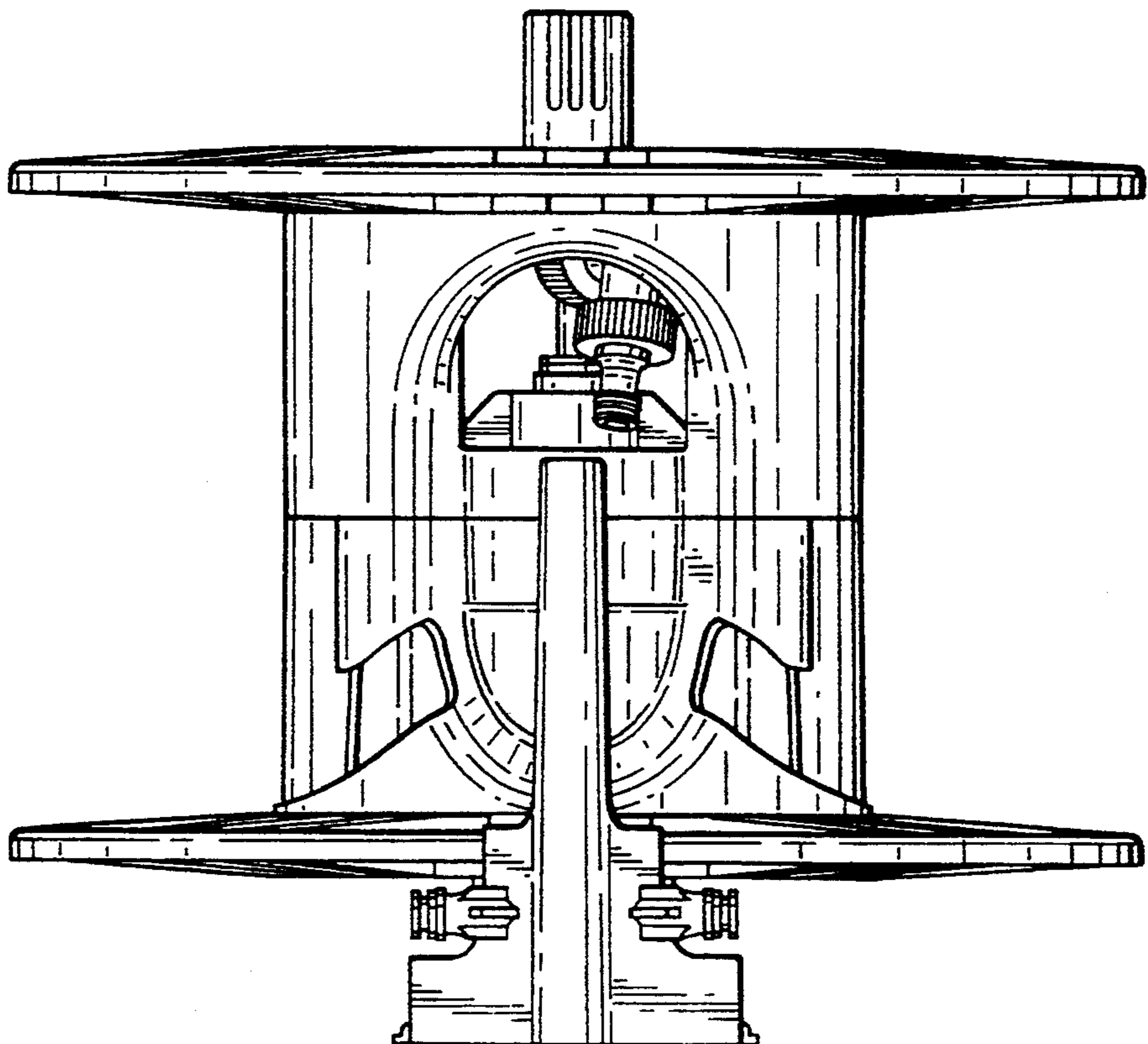


Fig. 7

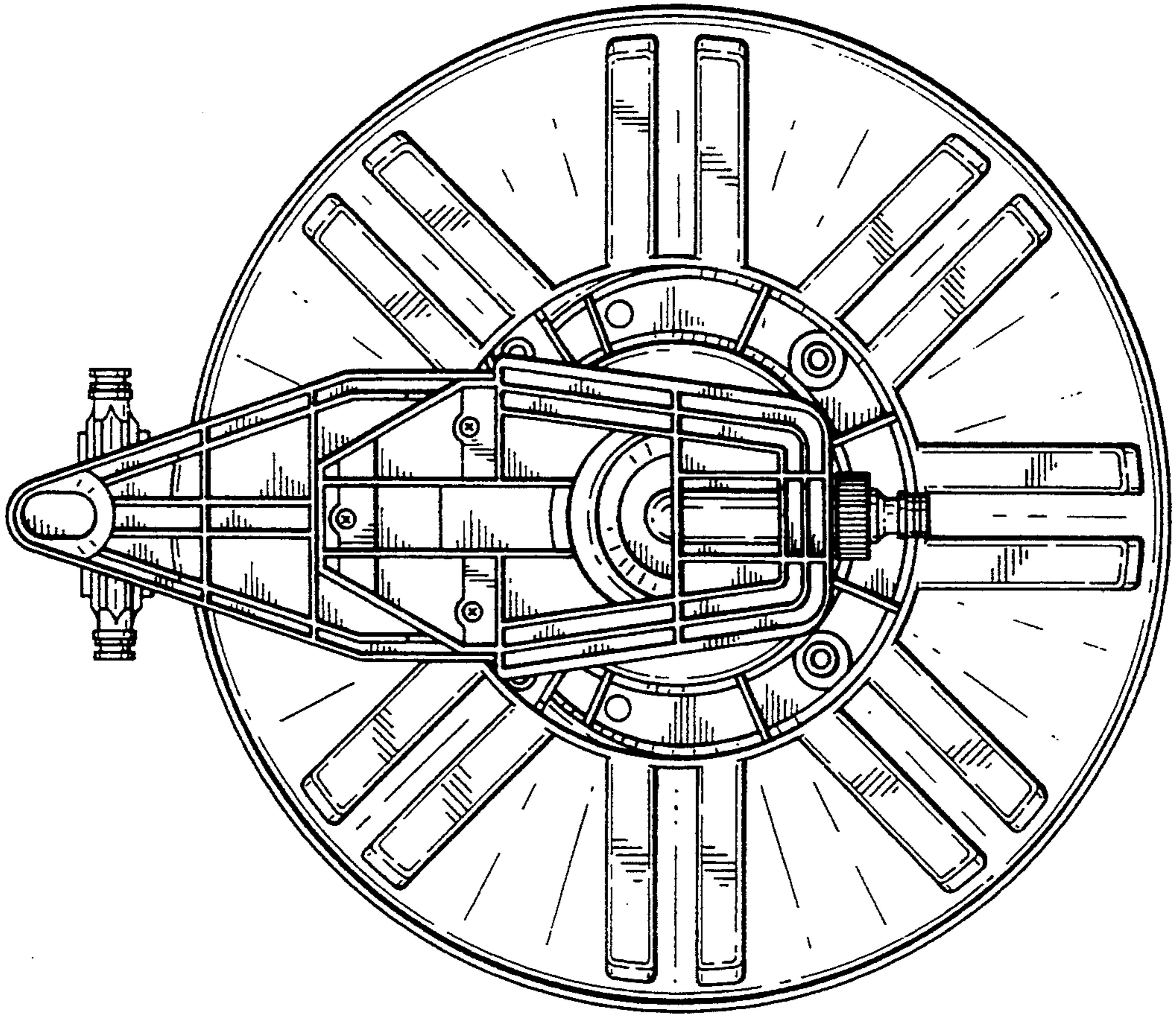


Fig. 6

