



US00D355582S

United States Patent [19] Sleight

[11] Patent Number: **Des. 355,582**
[45] Date of Patent: **** Feb. 21, 1995**

[54] **HORIZONTAL AND VERTICAL
ALIGNMENT REBAR CONNECTOR**

[76] Inventor: **Frederick S. Sleight**, 9920 59th Ave.,
Court East, Pulyallup, Wash. 98373

[**] Term: **14 Years**

[21] Appl. No.: **16,764**

[22] Filed: **Dec. 27, 1993**

[52] U.S. Cl. **D8/354; D8/380**

[58] Field of Search **D8/354, 382, 396, 380;**
403/191, 188, 237, 235, 205; 52/686, 719;
24/339

[56] **References Cited**

U.S. PATENT DOCUMENTS

D. 304,904 12/1989 Kercher D8/382 X
4,002,349 1/1977 Dopp 24/339 X
4,114,241 9/1978 Bisping 248/68.1 X
4,610,122 9/1986 DeClercq .

FOREIGN PATENT DOCUMENTS

4108944 4/1992 Japan 52/719

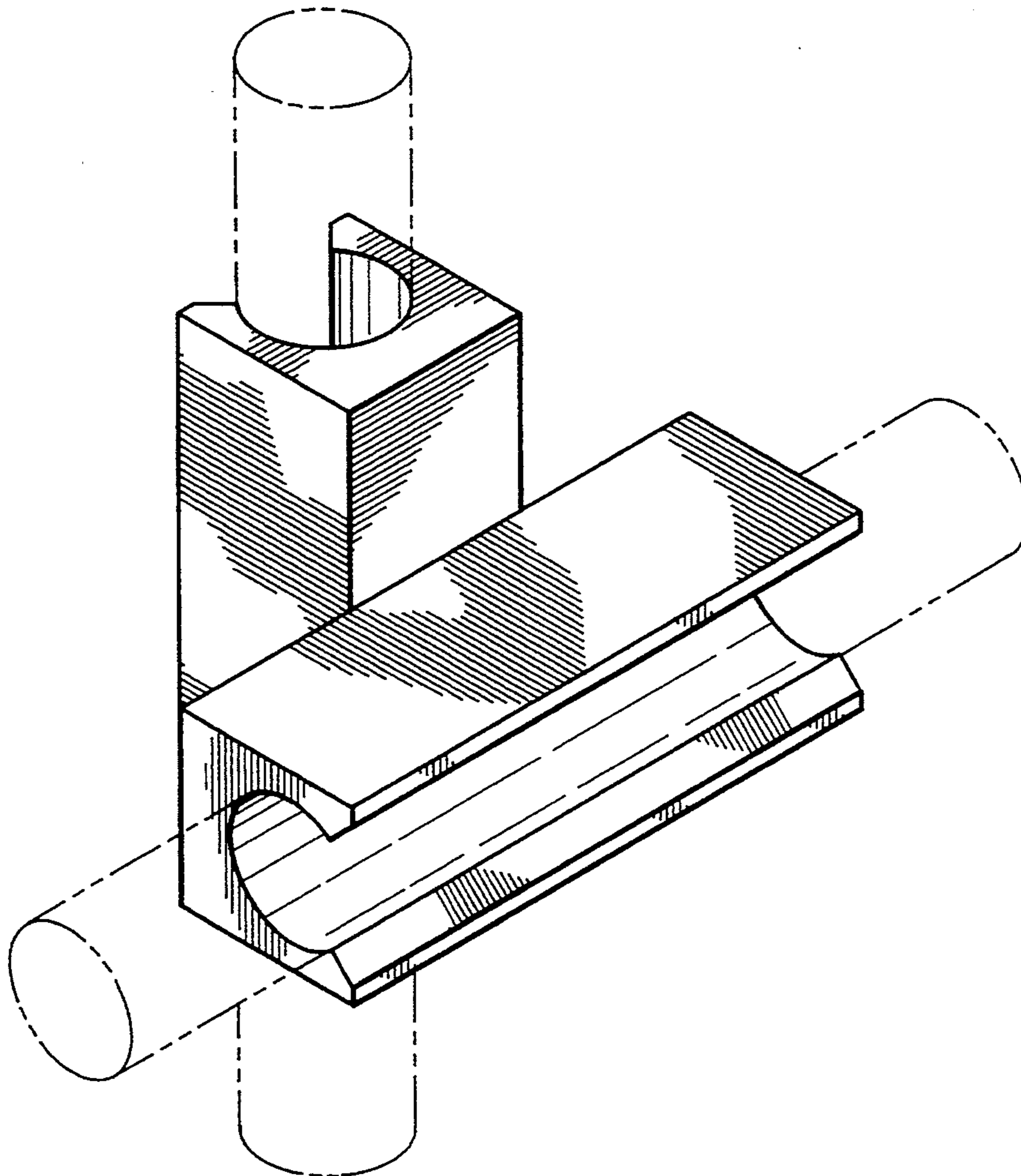
Primary Examiner—Wallace R. Burke
Assistant Examiner—H. Baynham
Attorney, Agent, or Firm—David L. Baker

[57] **CLAIM**

The ornamental design for a horizontal and vertical alignment rebar connector, as shown.

DESCRIPTION

FIG. 1 is a perspective view of a horizontal and vertical rebar connector showing my new design therefor. The broken line drawings representing rebar are for purposes of illustration only and form no part of my design; FIG. 2 is a front elevational view; FIG. 3 is a rear elevational view; FIG. 4 is a right side elevational view, the left side elevational view being a mirror image thereof; and, FIG. 5 is a top plan view, the bottom plan view being a mirror image thereof.



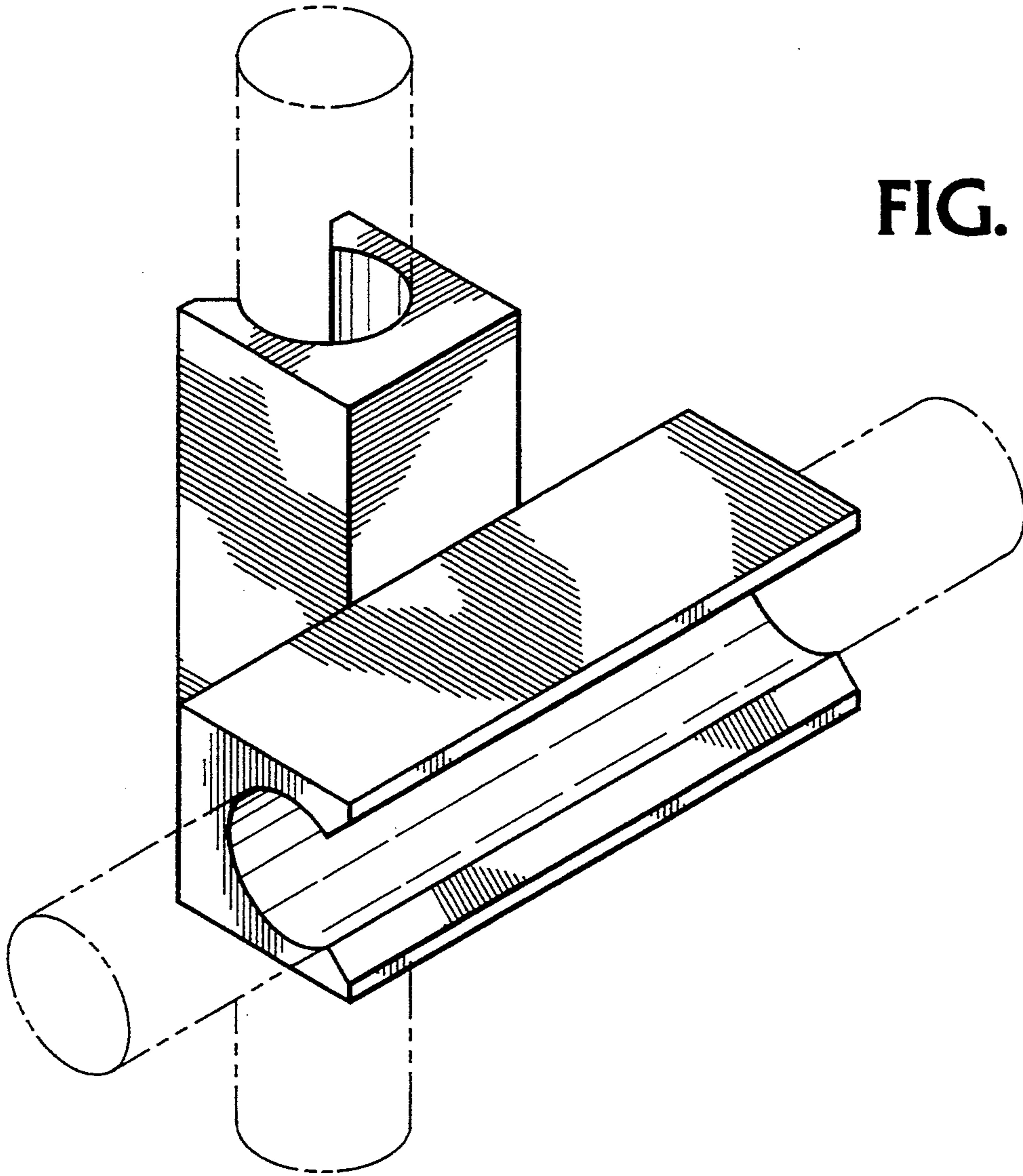
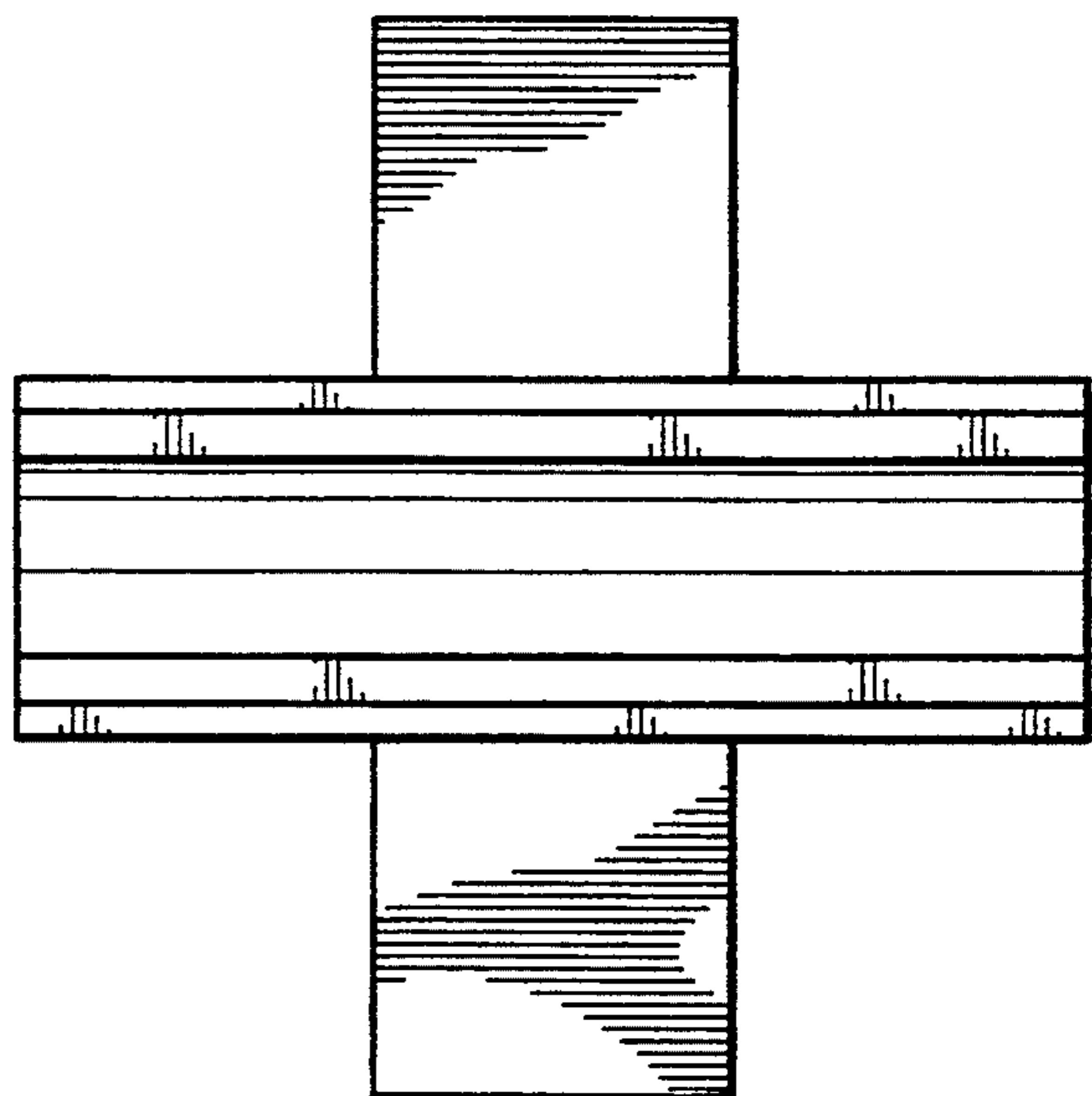


FIG. 1

FIG. 2



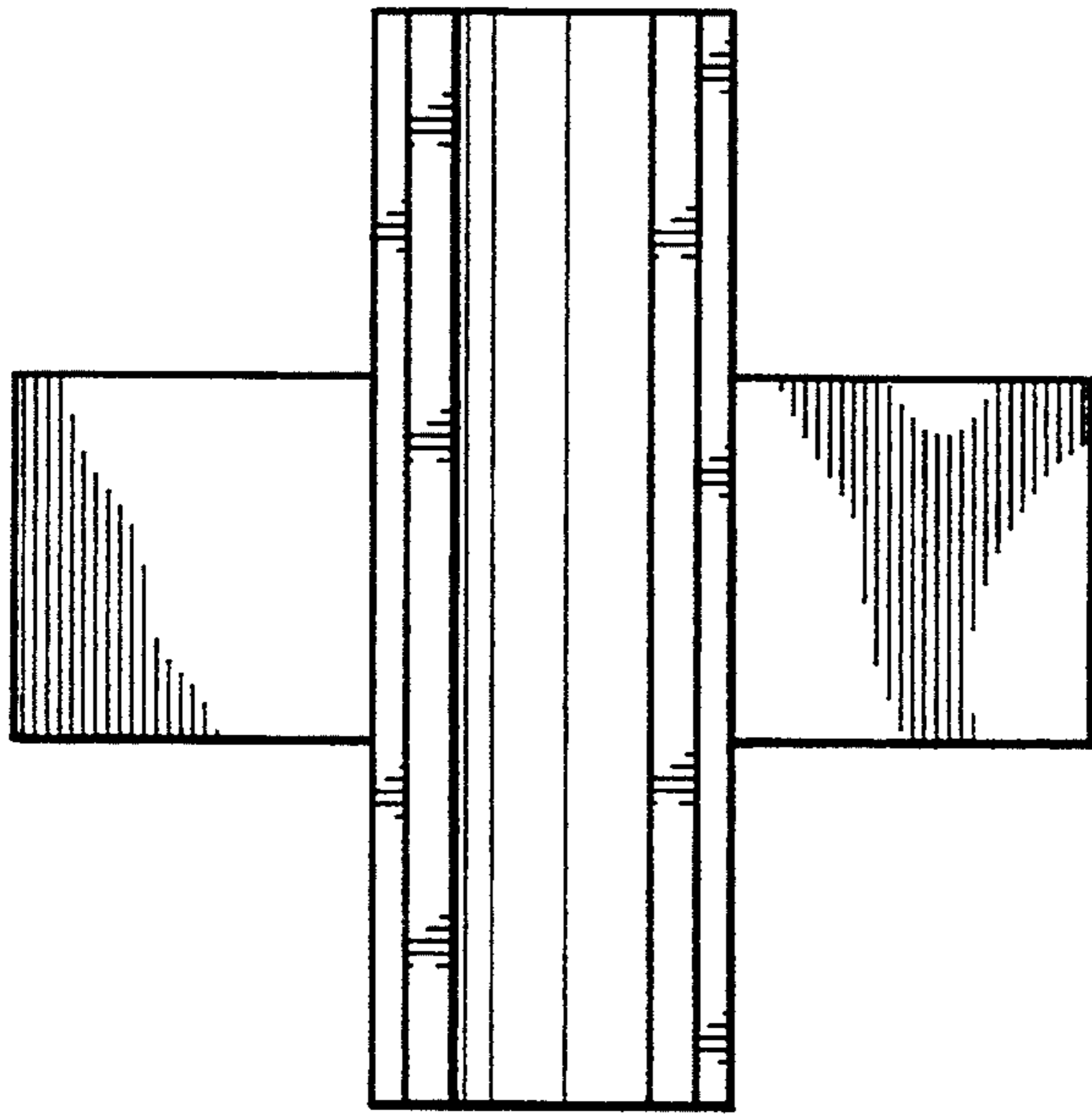


FIG. 3

FIG. 4

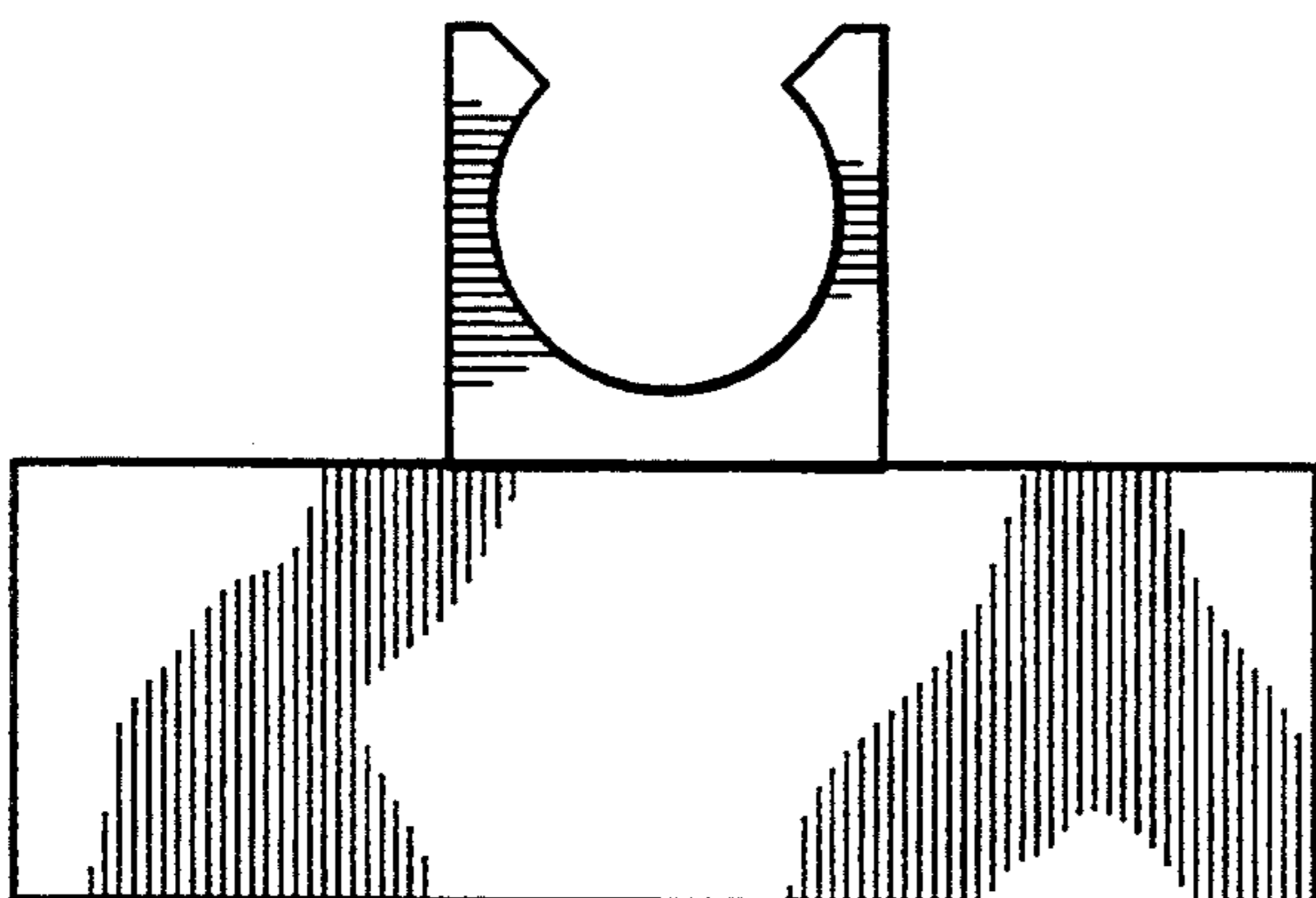
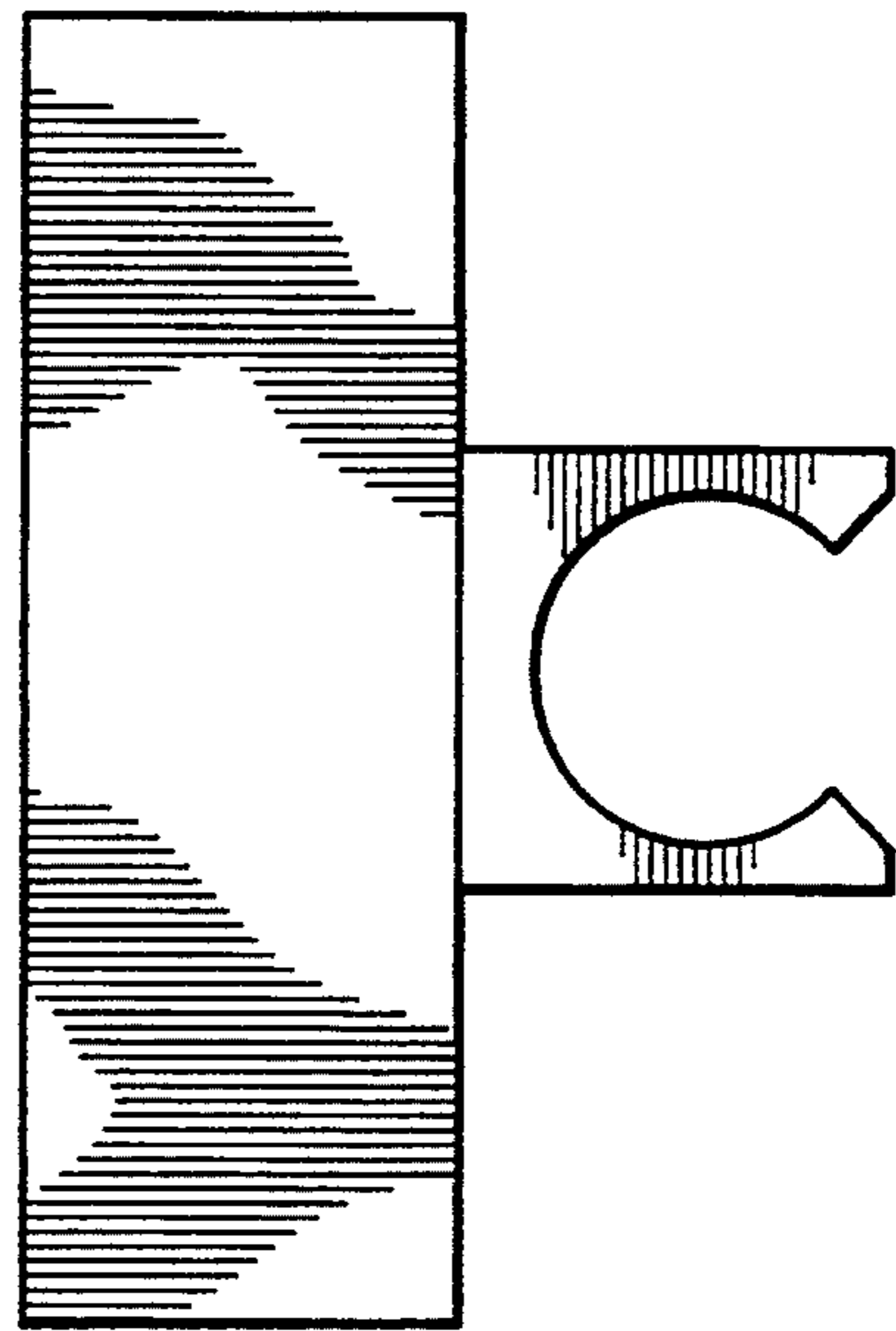


FIG. 5