



US00D355581S

United States Patent [19]

[11] Patent Number: **Des. 355,581**

Zane et al.

[45] Date of Patent: **** Feb. 21, 1995**

- [54] **VEHICLE STEERING LOCK**
- [75] Inventors: **Michael S. Zane**, Brookline; **John D. Fiegner**, Boston, both of Mass.
- [73] Assignee: **Kryptonite Corporation**, Canton, Mass.
- [**] Term: **14 Years**
- [21] Appl. No.: **4,133**
- [22] Filed: **Jan. 27, 1993**
- [52] U.S. Cl. **D8/333; D8/331**
- [58] Field of Search **D8/330-331, D8/333, 339; 70/207-211, 214-215, 225-226, 237-238; 292/289**

5,138,853 8/1992 Chen 70/209

FOREIGN PATENT DOCUMENTS

2639591 6/1990 France 70/226
2718291 1/1978 Germany 70/226

OTHER PUBLICATIONS

Museum of Modern Art Christmas Catalogue, (1987), p. 30, "Kryptonite" anti-theft lock.

Primary Examiner—Brian N. Vinson
Attorney, Agent, or Firm—Morse, Altman, Dacey & Benson

[56] References Cited

U.S. PATENT DOCUMENTS

D. 330,844	11/1992	Chang	D8/331
D. 339,973	10/1993	Chen	D8/331
4,545,224	10/1985	Zane	70/39
4,730,470	3/1988	Zane et al.	70/238
4,848,110	7/1989	Kuo	70/238 X
4,986,095	1/1991	Chou et al.	70/46 X
4,987,753	1/1991	Kuo	70/46 X
5,040,388	8/1991	Chen	70/209
5,092,146	3/1992	Wang	70/209
5,107,692	4/1992	Chen	70/209

[57] CLAIM

The ornamental design for a vehicle steering lock, as shown and described.

DESCRIPTION

FIG. 1 is a perspective view of a vehicle steering lock showing my new design, the broken-line disclosure of a steering wheel being for illustrative purposes only and forming no part of the claimed design;

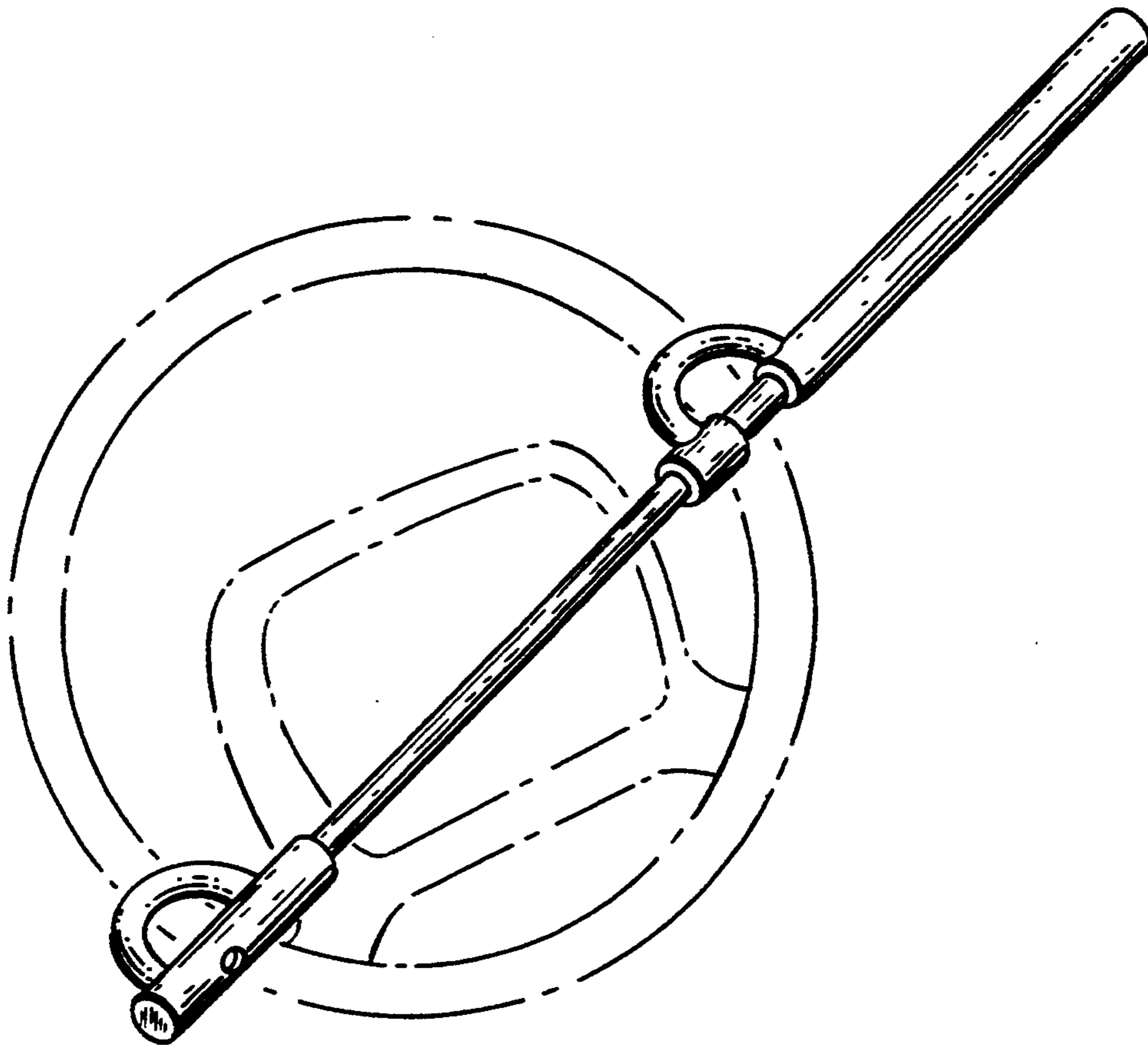
FIG. 2 is an enlarged top plan view thereof;

FIG. 3 is an enlarged front elevational view thereof;

FIG. 4 is an enlarged bottom plan view thereof;

FIG. 5 is an enlarged left end elevational view thereof; and,

FIG. 6 is an enlarged right end elevational view thereof.



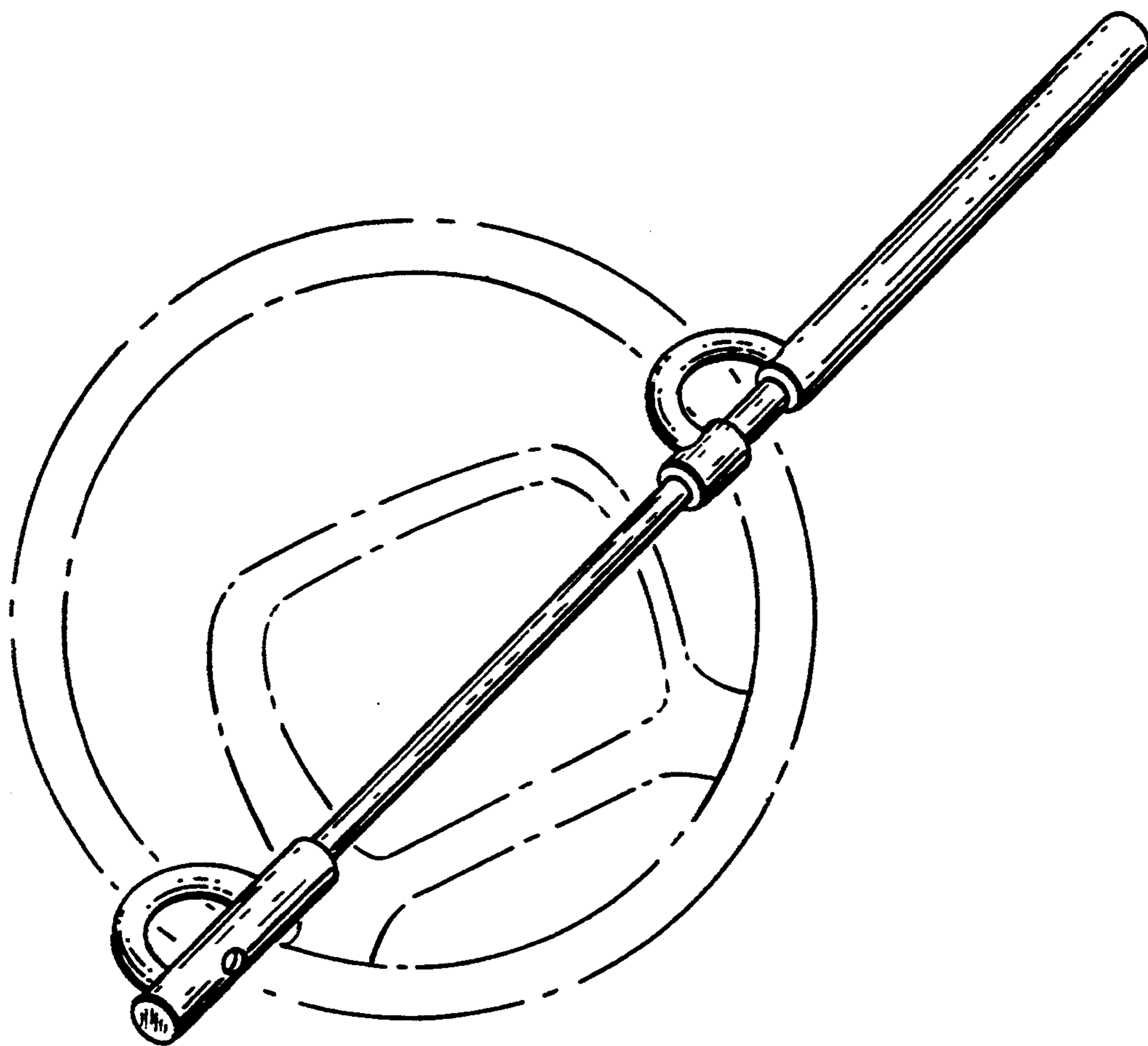


FIG. 1



FIG. 2

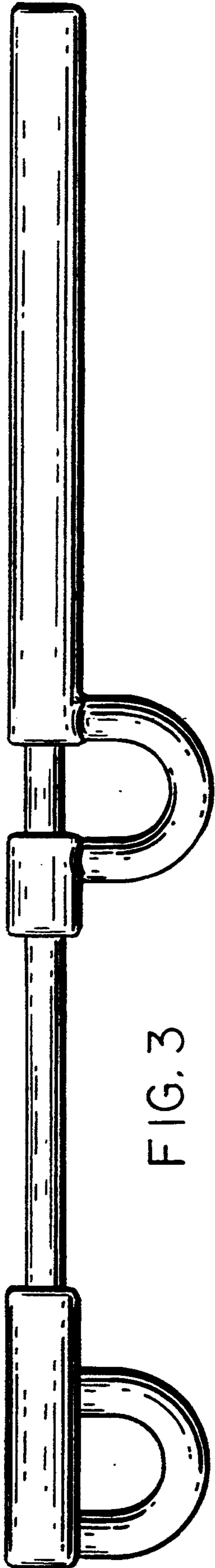


FIG. 3



FIG. 4



FIG. 5



FIG. 6