



US00D355580S

United States Patent [19]

Salena et al.

[11] Patent Number: Des. 355,580

[45] Date of Patent: ** Feb. 21, 1995

[54] OVERHEAD DOOR CLOSURE AND TOP ARM ASSEMBLY

[76] Inventors: Mike Salena; Michael Salena, both of 5321 Amestoy Ave., Encino, Calif. 91316

[**] Term: 14 Years

[21] Appl. No.: 14,199

[22] Filed: Oct. 15, 1993

[52] U.S. Cl. D8/330

[58] Field of Search D8/330; 16/49, 51, 55-56, 16/66

[56] References Cited

U.S. PATENT DOCUMENTS

D. 241,003	8/1976	Meisner	D8/330
D. 261,099	10/1981	Russell	D8/330
D. 281,762	12/1985	Okazaki	D8/330
3,042,957	7/1962	Muessel et al.	16/62
3,149,366	9/1964	Martin	116/51
3,222,709	12/1965	Ellis	16/55

3,246,362	4/1966	Jackson	16/51
3,626,549	12/1971	Jentsch	16/53
5,272,787	12/1993	Salena et al.	16/56

Primary Examiner—Brian N. Vinson
Attorney, Agent, or Firm—Michael Salena; Mike Salena

[57] CLAIM

The ornamental design for a overhead door closure and top arm assembly, as shown and described.

DESCRIPTION

FIG. 1 is a top plan view of a overhead door closure and top arm assembly showing our new design; FIG. 2 is a left side elevational view thereof; FIG. 3 is a front elevational view thereof; FIG. 4 is a bottom plan view thereof; FIG. 5 is a right side elevational view thereof; FIG. 6 is a rear elevational view thereof; FIG. 7 is a reduced top, rear, and left side perspective view thereof; and, FIG. 8 is a reduced bottom front, and left side perspective view thereof.

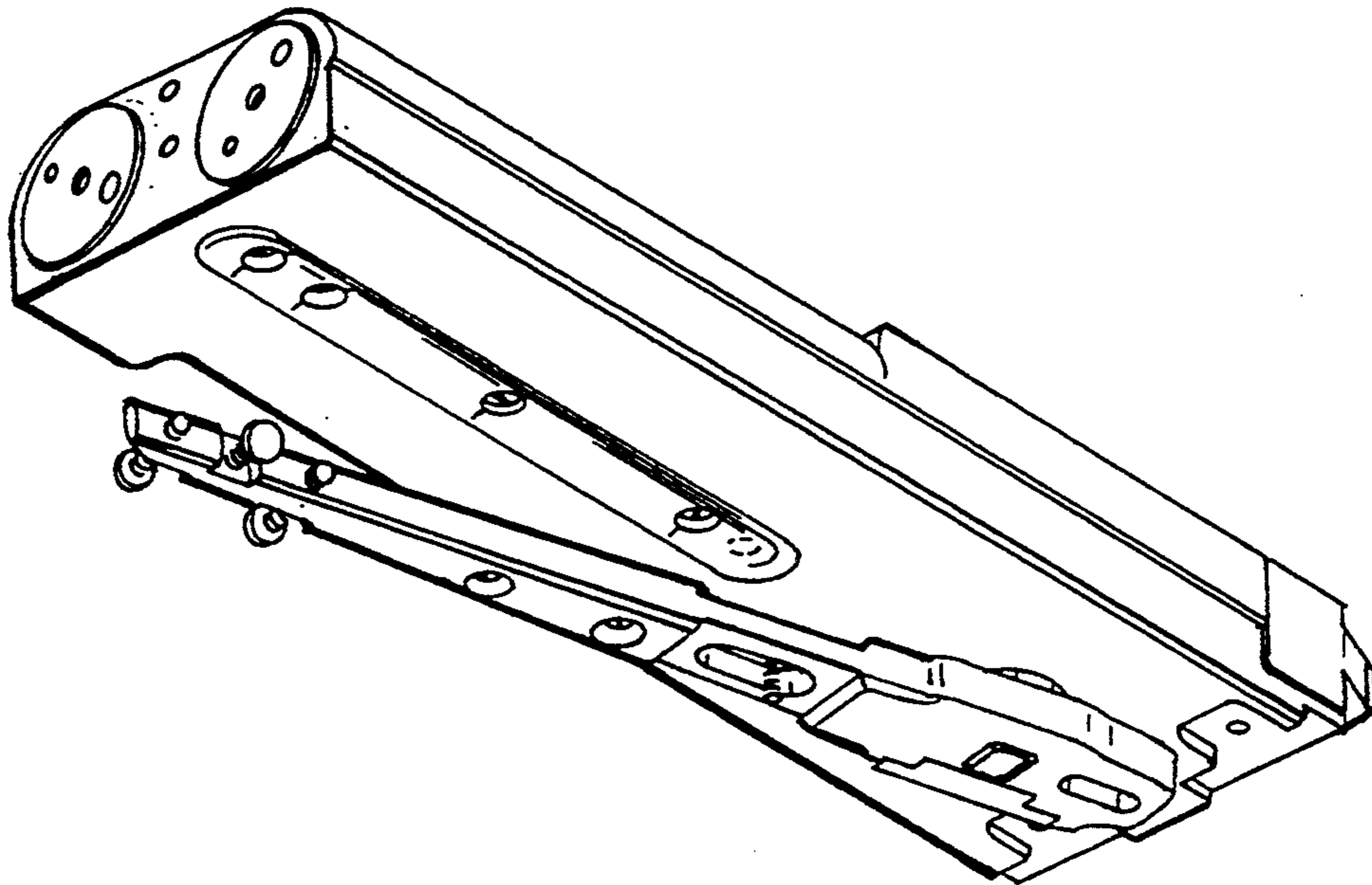


FIG. 1

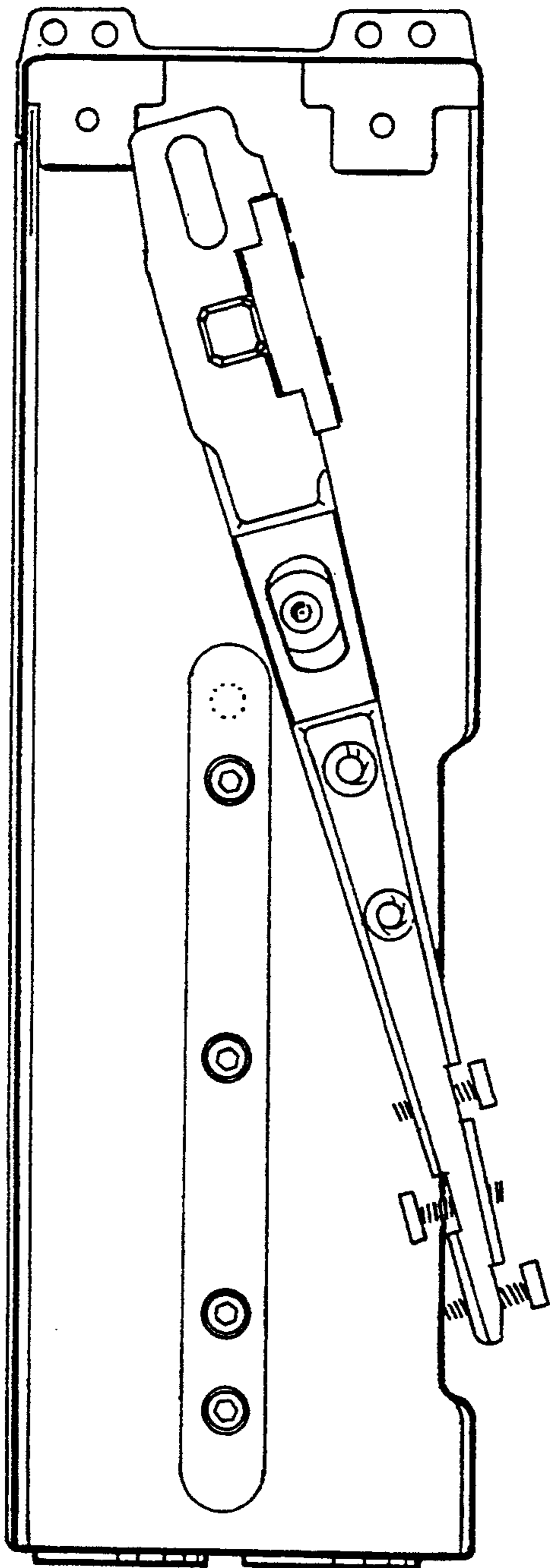


FIG. 2

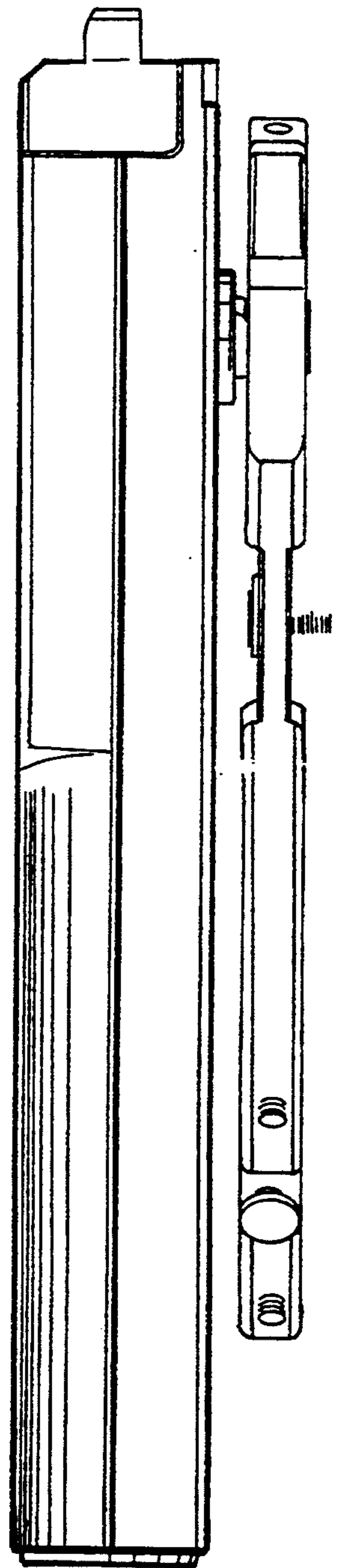
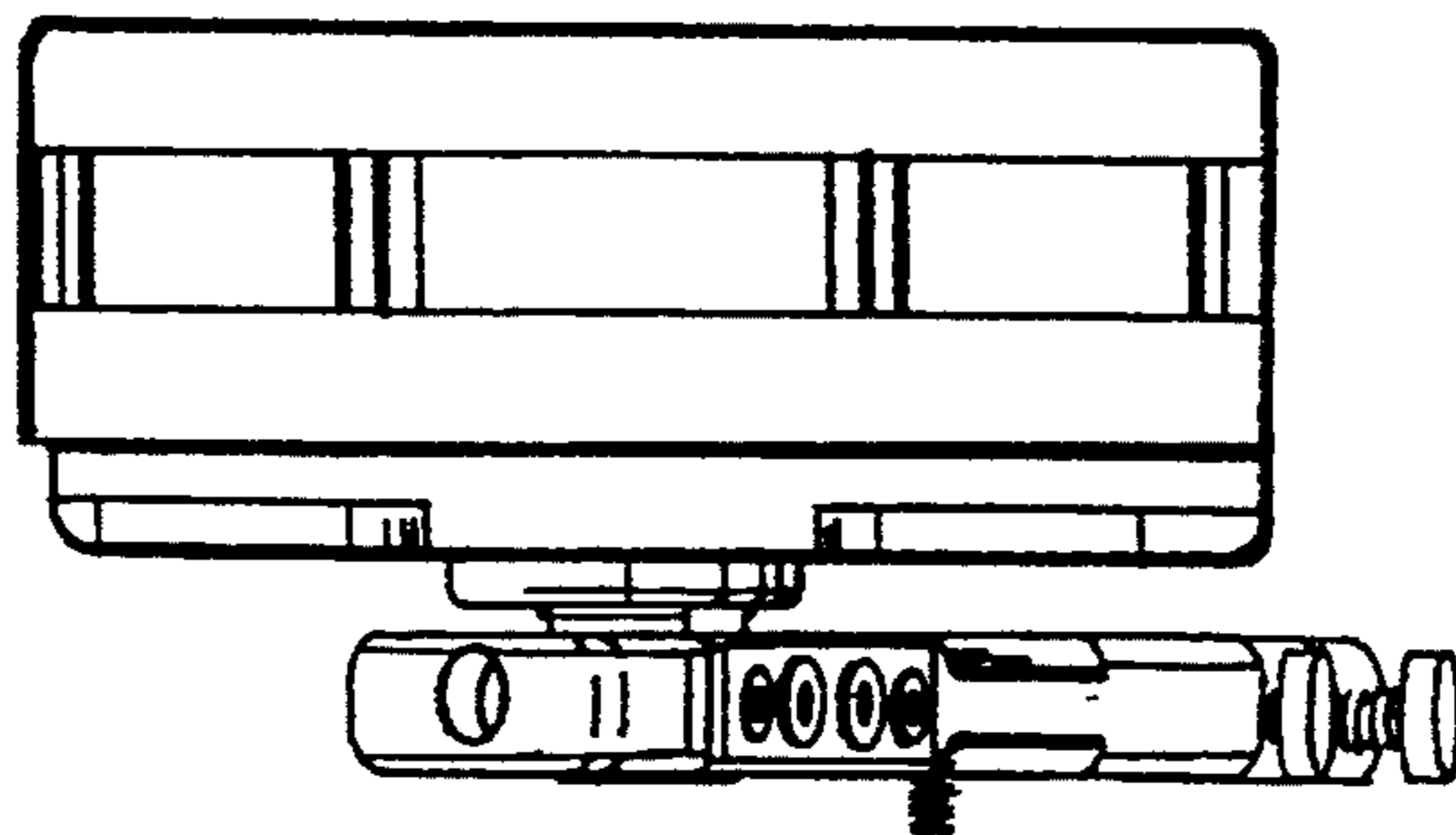
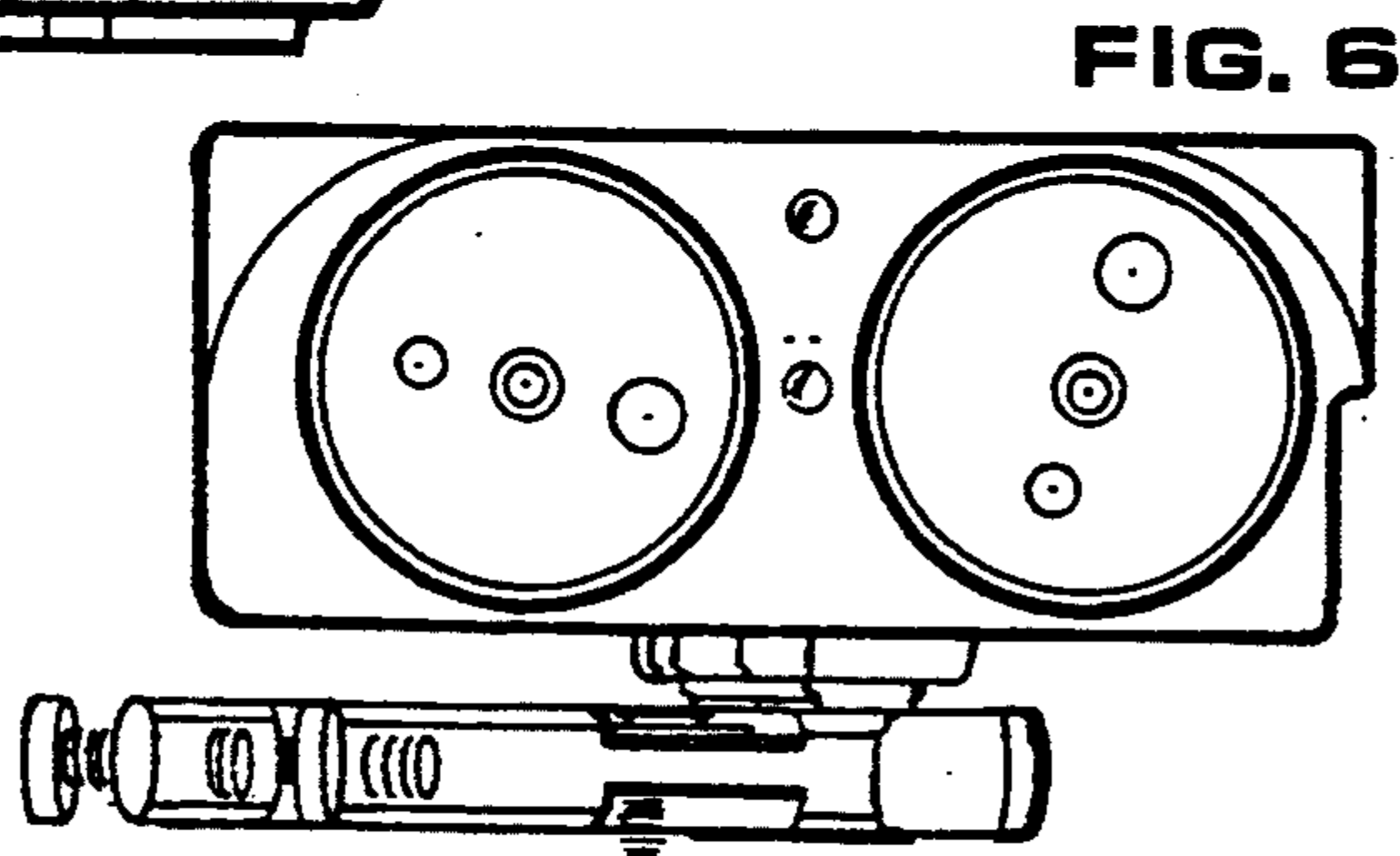
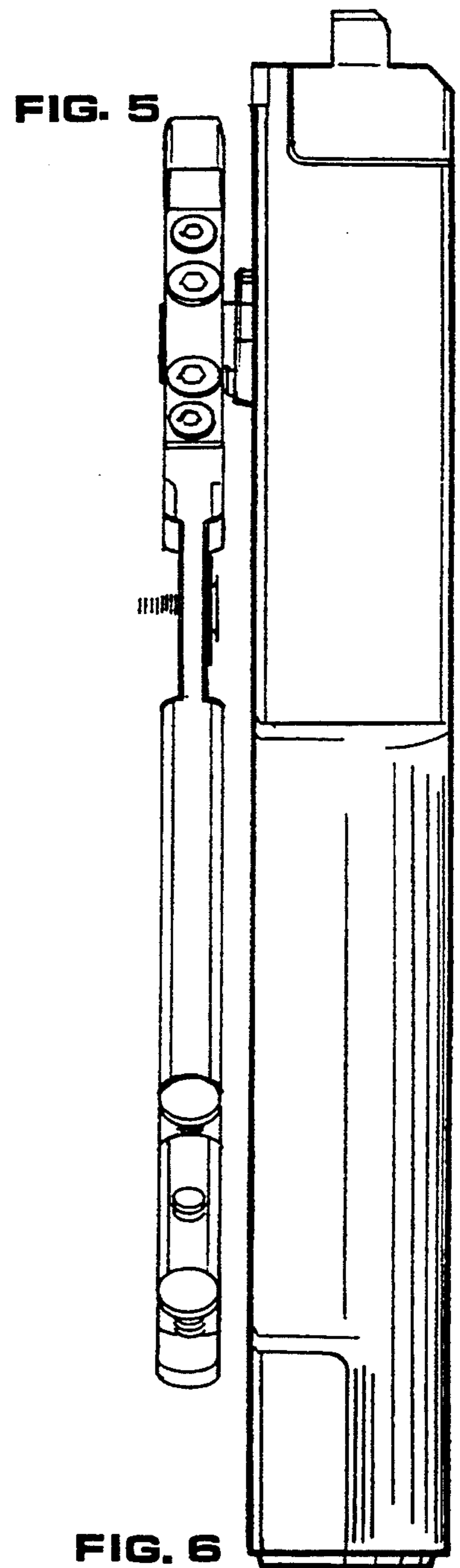
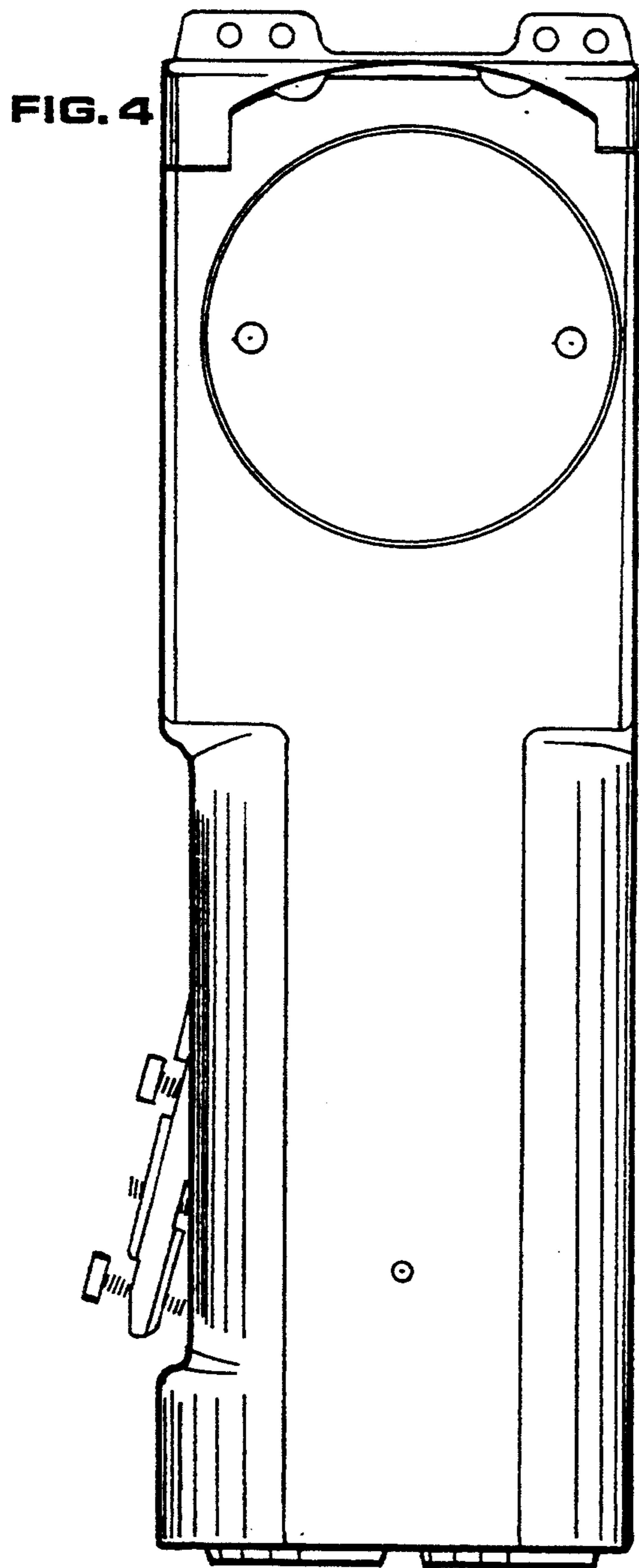


FIG. 3





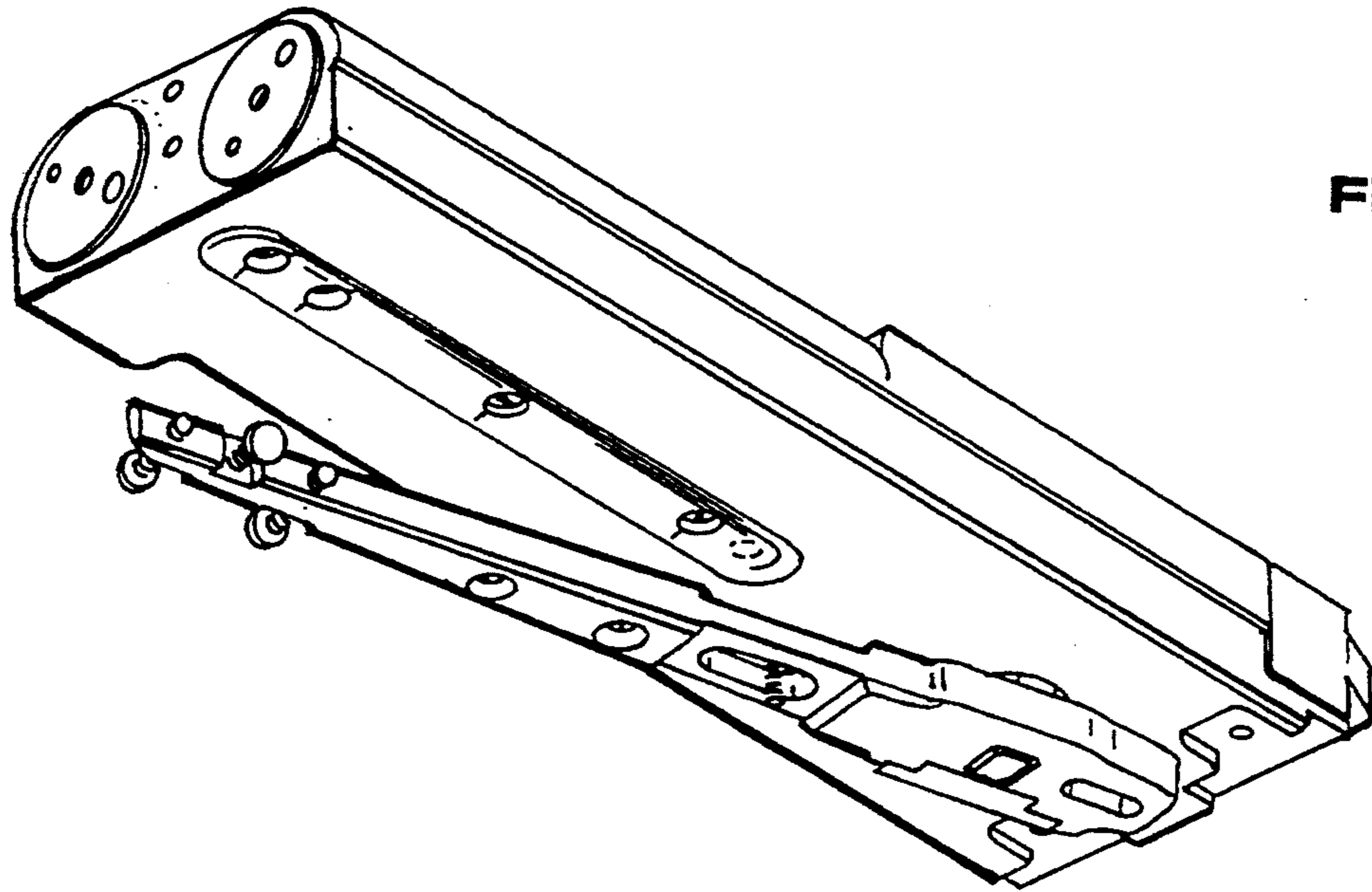


FIG. 7

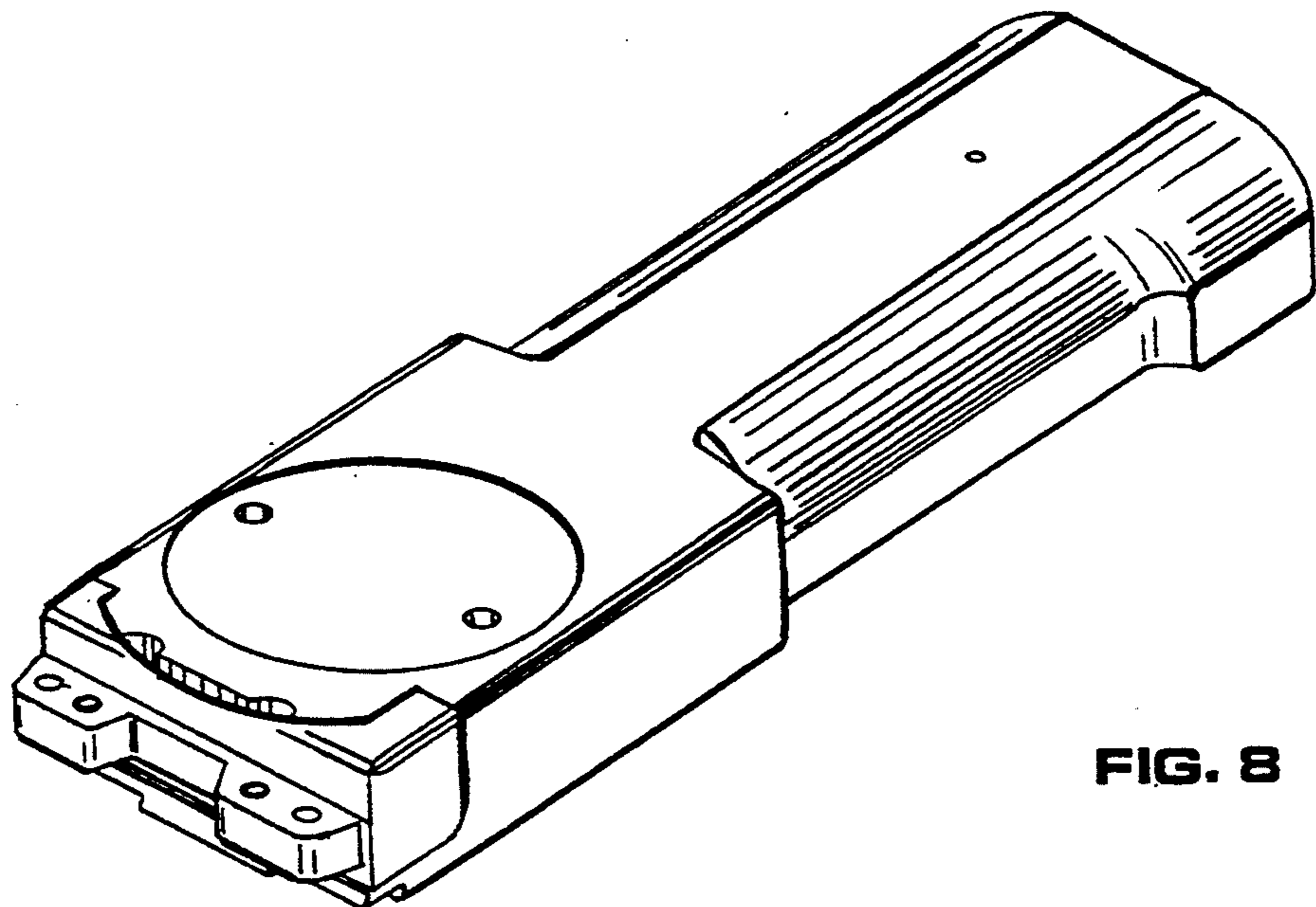


FIG. 8

UNITED STATES PATENT AND TRADEMARK OFFICE
CERTIFICATE OF CORRECTION

PATENT NO. : Des. 355,580

DATED : February 21, 1995

INVENTOR(S) : Mike Salena, et al

It is certified that error appears in the above-identified patent and that said Letters Patent is hereby corrected as shown below:

On the title page, item [54] "CLOSURE" should read --CLOSER--

UNDER item [57]: in CLAIM: "closure" should read --closer--
in DESCRIPTION: "closure" should read --closer--

Signed and Sealed this
Eleventh Day of July, 1995

Attest:



BRUCE LEHMAN

Attesting Officer

Commissioner of Patents and Trademarks