



US00D355577S

United States Patent [19]

[11] Patent Number: **Des. 355,577**

Gafner et al.

[45] Date of Patent: **** Feb. 21, 1995**

[54] **TOOL FOR REMOVING GOLF CLUB GRIPS**

5,235,751 8/1993 Landgraf 30/280

[75] Inventors: **Donald M. Gafner, Mesquite, Tex.;**
Charles Dusenbury, Wilmington,
N.C.

[73] Assignee: **Donald Michael Gafner Trust,**
Mesquite, Tex.

[**] Term: **14 Years**

[21] Appl. No.: **1,359**

[22] Filed: **Nov. 12, 1992**

[52] U.S. Cl. **D8/98; D8/51**

[58] Field of Search **D8/51, 52, 98, 99, 14;**
30/278, 280, 169, 124, 186

[56] **References Cited**

U.S. PATENT DOCUMENTS

D. 255,642	7/1980	Erpenbeck et al.	D8/98
D. 297,910	10/1988	Mathews	D8/98
D. 301,970	7/1989	Mathews	D8/98
3,683,892	8/1972	Harris	30/280
5,020,221	6/1991	Nelson	30/278

OTHER PUBLICATIONS

Florida Golf Warehouse catalog F309P Grip Stripper.

Primary Examiner—Bernard Ansher

Assistant Examiner—Philip Hyder

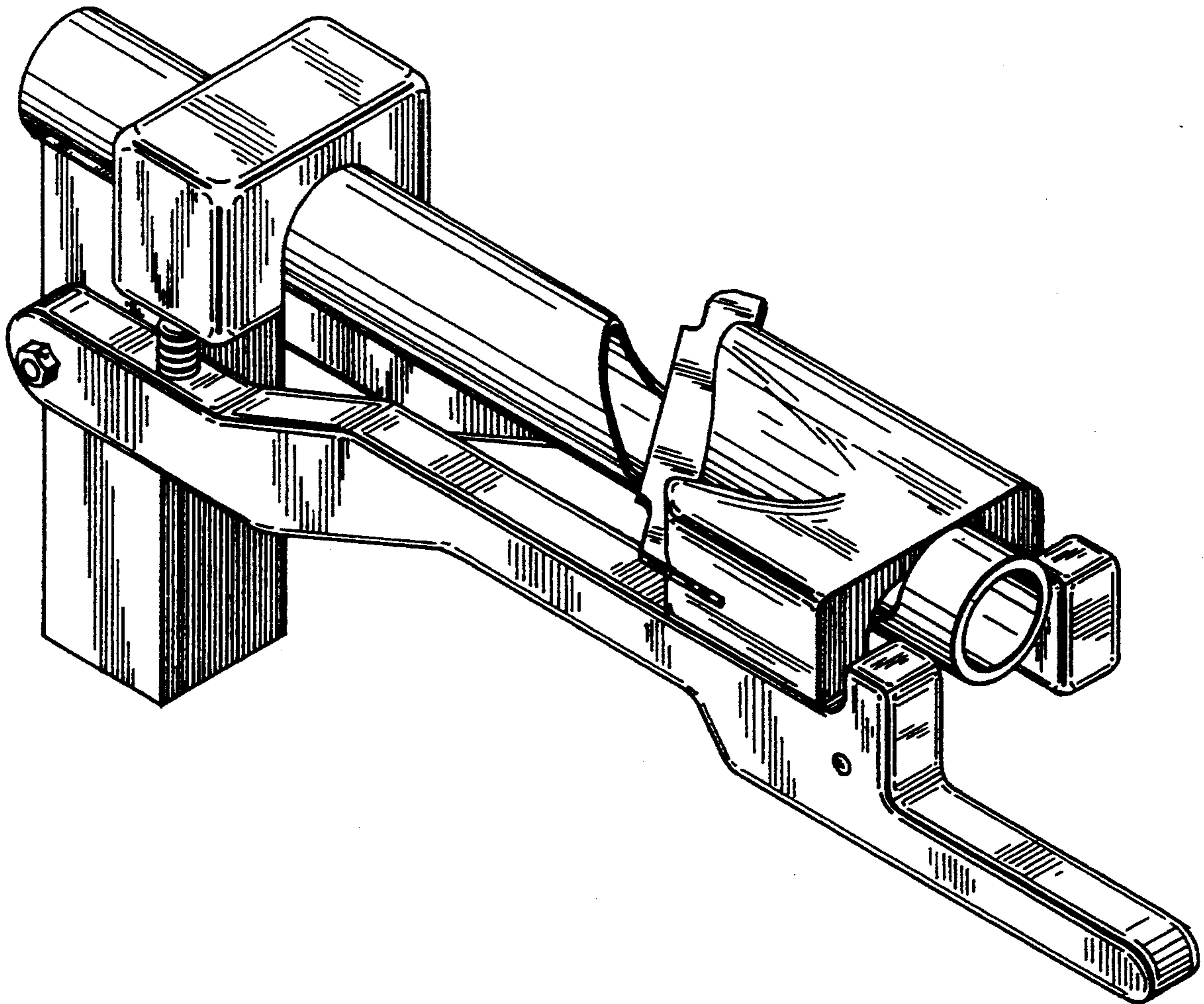
Attorney, Agent, or Firm—Haynes and Boone

[57] **CLAIM**

The ornamental design for a tool for removing golf club grips, as shown.

DESCRIPTION

FIG. 1 is a perspective view of the tool for removing golf club grips showing our new design; FIG. 2 is a front elevational view thereof; FIG. 3 is a side elevational view taken from the right side thereof; FIG. 4 is a rear elevational view; FIG. 5 is a side elevational view taken from the left side thereof; FIG. 6 is a top plan view thereof; and, FIG. 7 is a bottom plan view thereof.



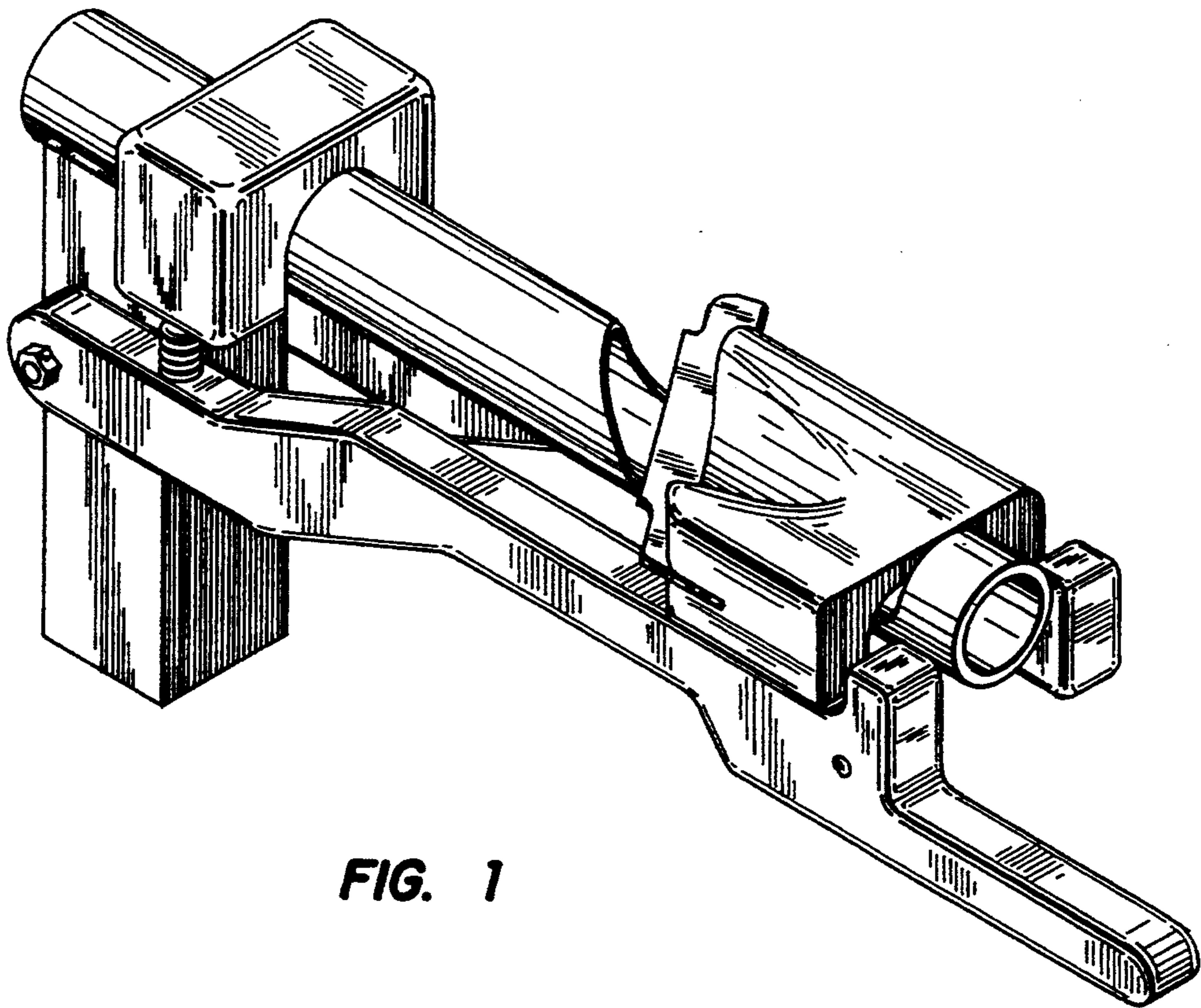


FIG. 1

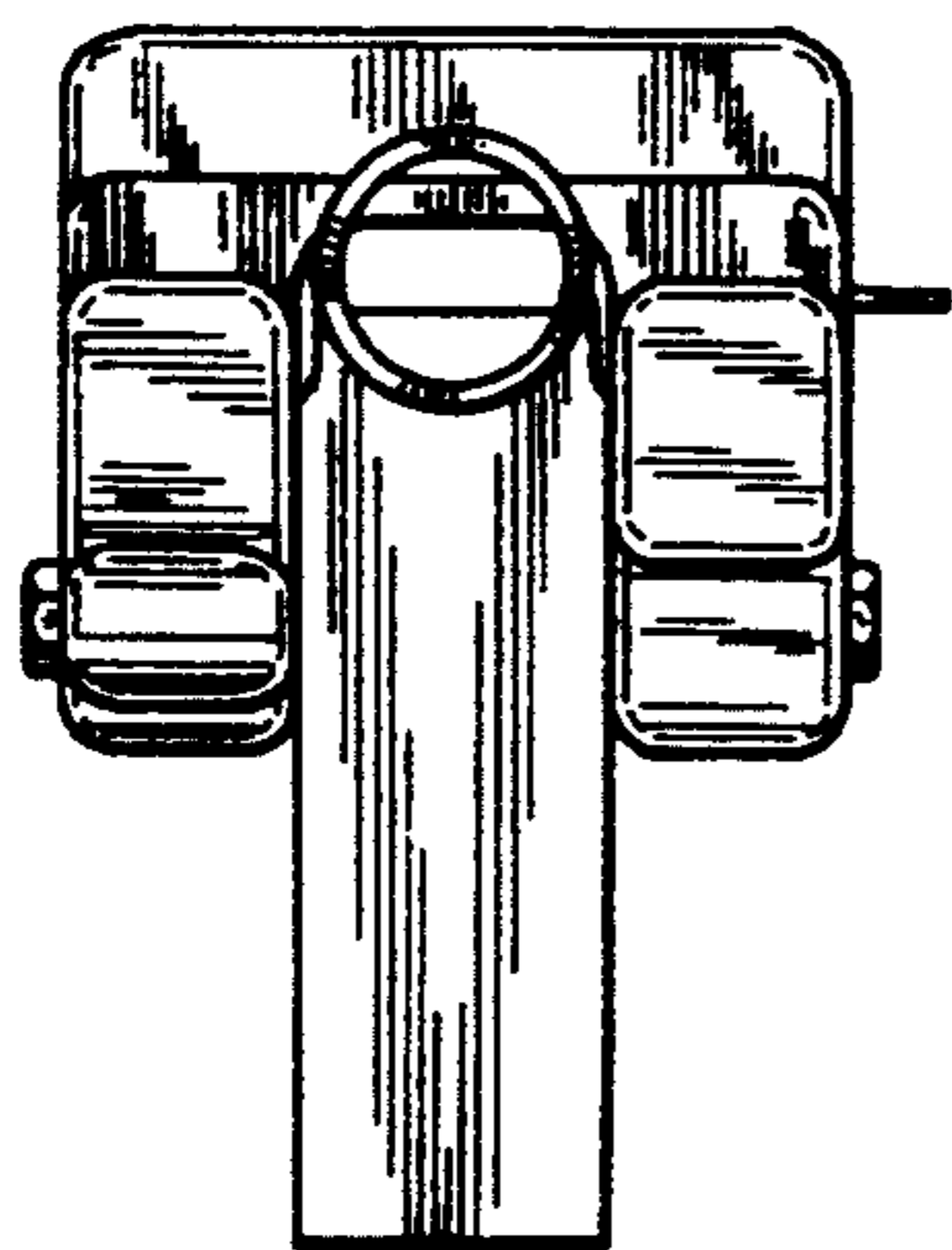


FIG. 2

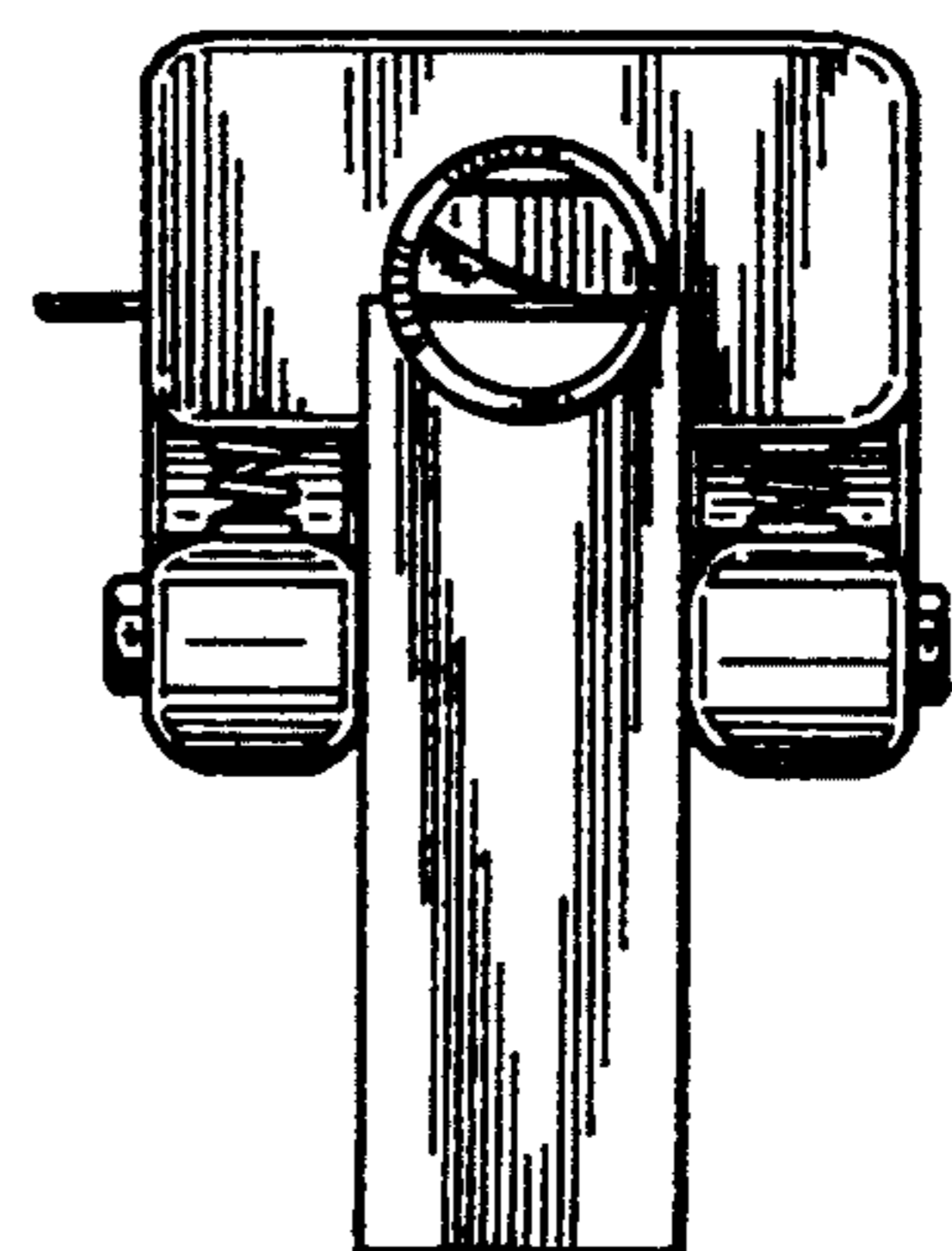


FIG. 4

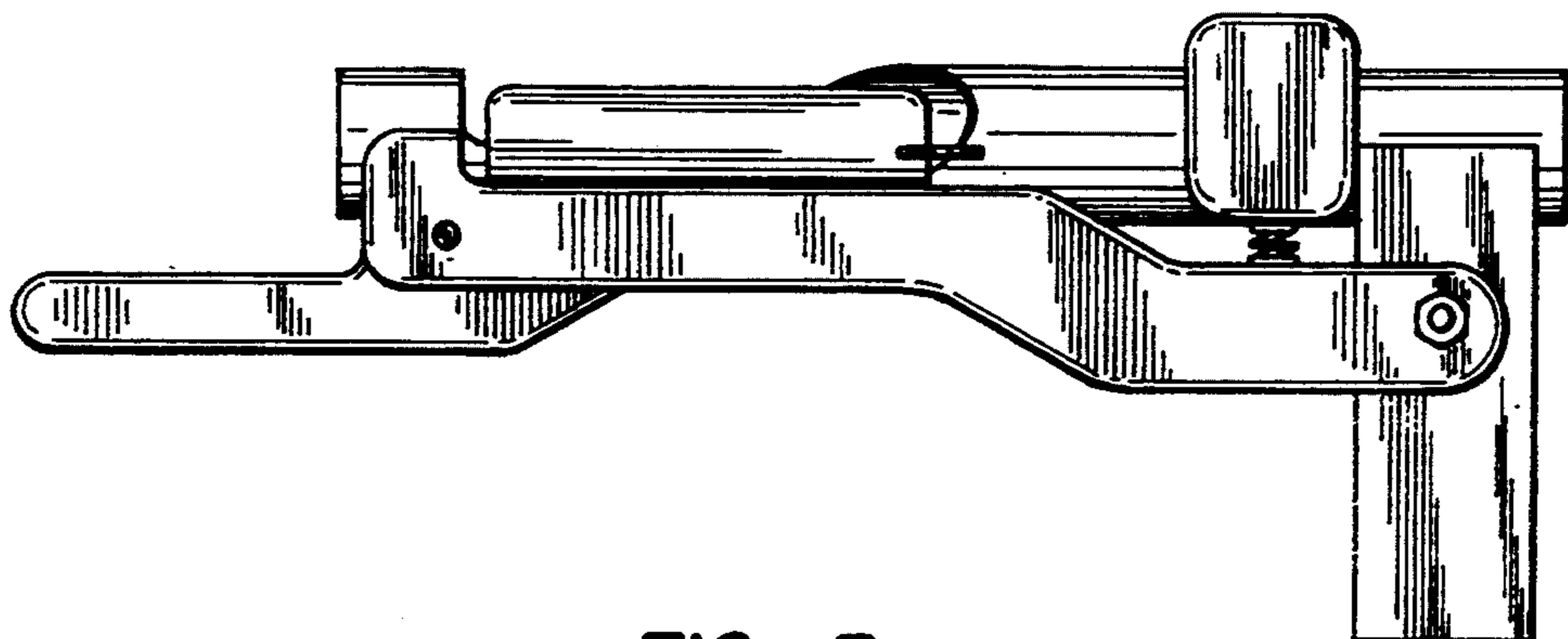


FIG. 3

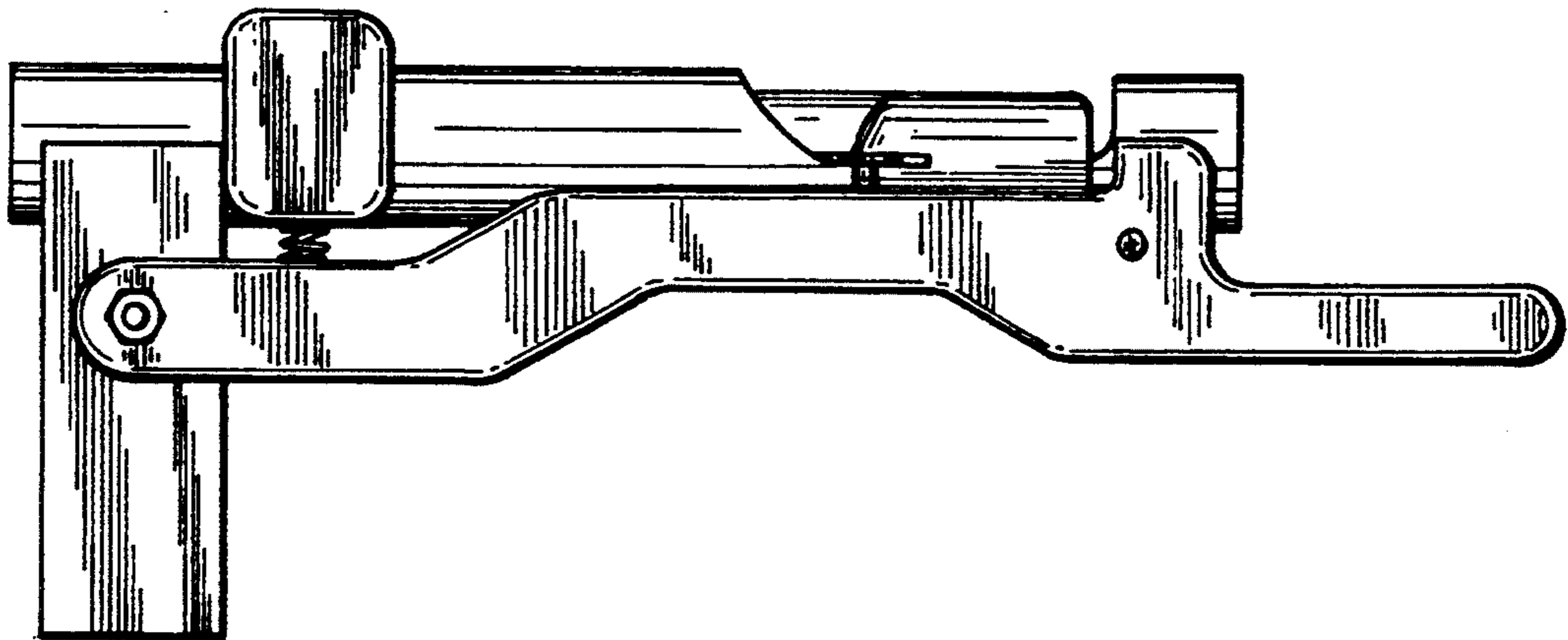


FIG. 5

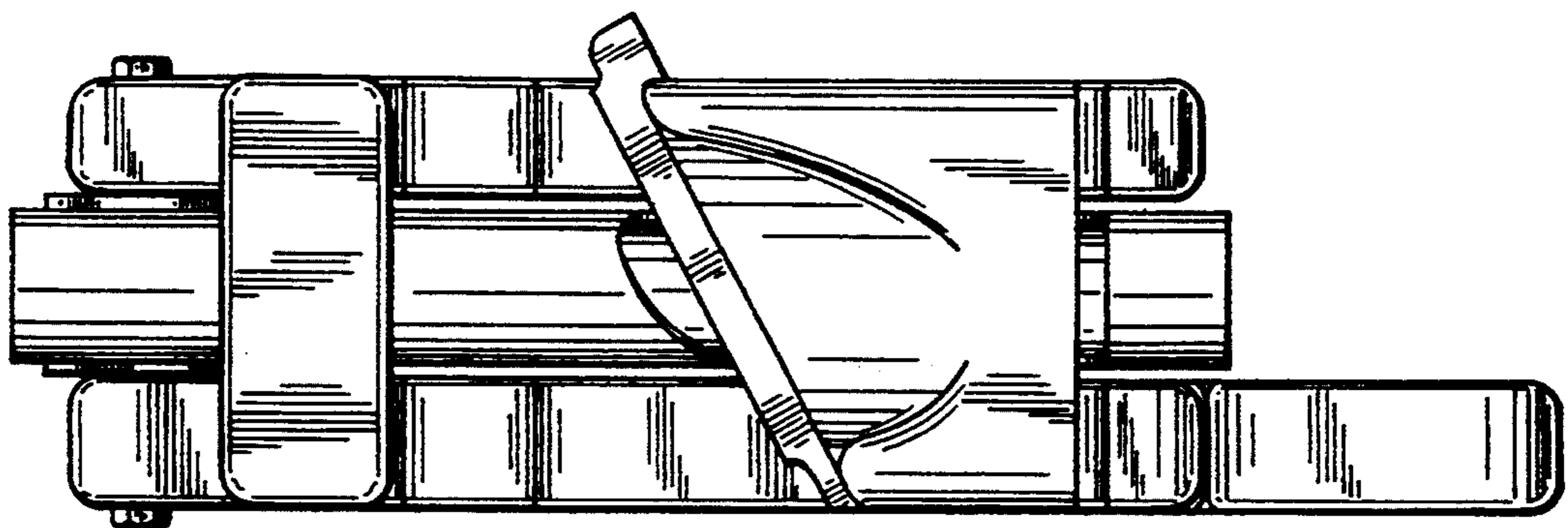


FIG. 6

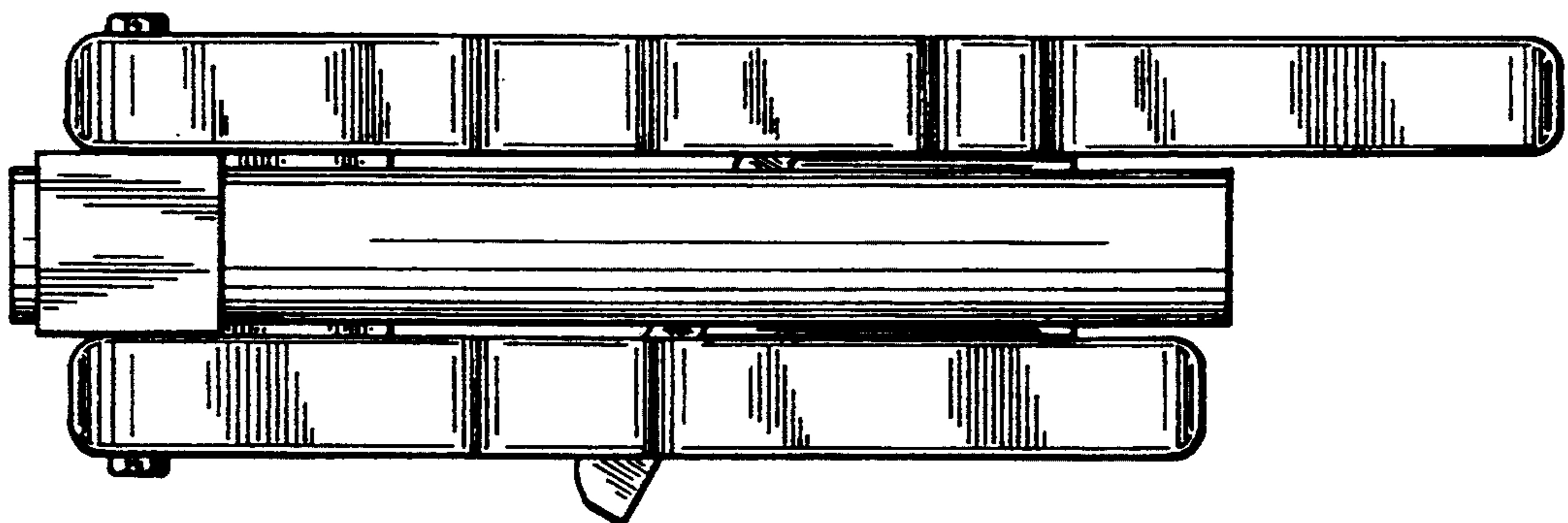


FIG. 7