



US00D355572S

United States Patent [19] Griffin

[11] Patent Number: Des. 355,572

[45] Date of Patent: ** Feb. 21, 1995

- [54] HEDGE TRIMMER HOUSING
- [75] Inventor: John Griffin, Phoenix, Ariz.
- [73] Assignee: McCulloch Corporation, Tucson, Ariz.
- [**] Term: 14 Years
- [21] Appl. No.: 10,993
- [22] Filed: Jul. 22, 1993
- [52] U.S. Cl. D8/8
- [58] Field of Search D8/8; 30/208-210, 30/228; 56/233-237; D15/1

5,150,523 7/1992 McCurry 30/228

Primary Examiner—Wallace R. Burke
Assistant Examiner—H. Baynham
Attorney, Agent, or Firm—Marshall, O'Toole, Gerstein, Murray & Borun

[57] CLAIM

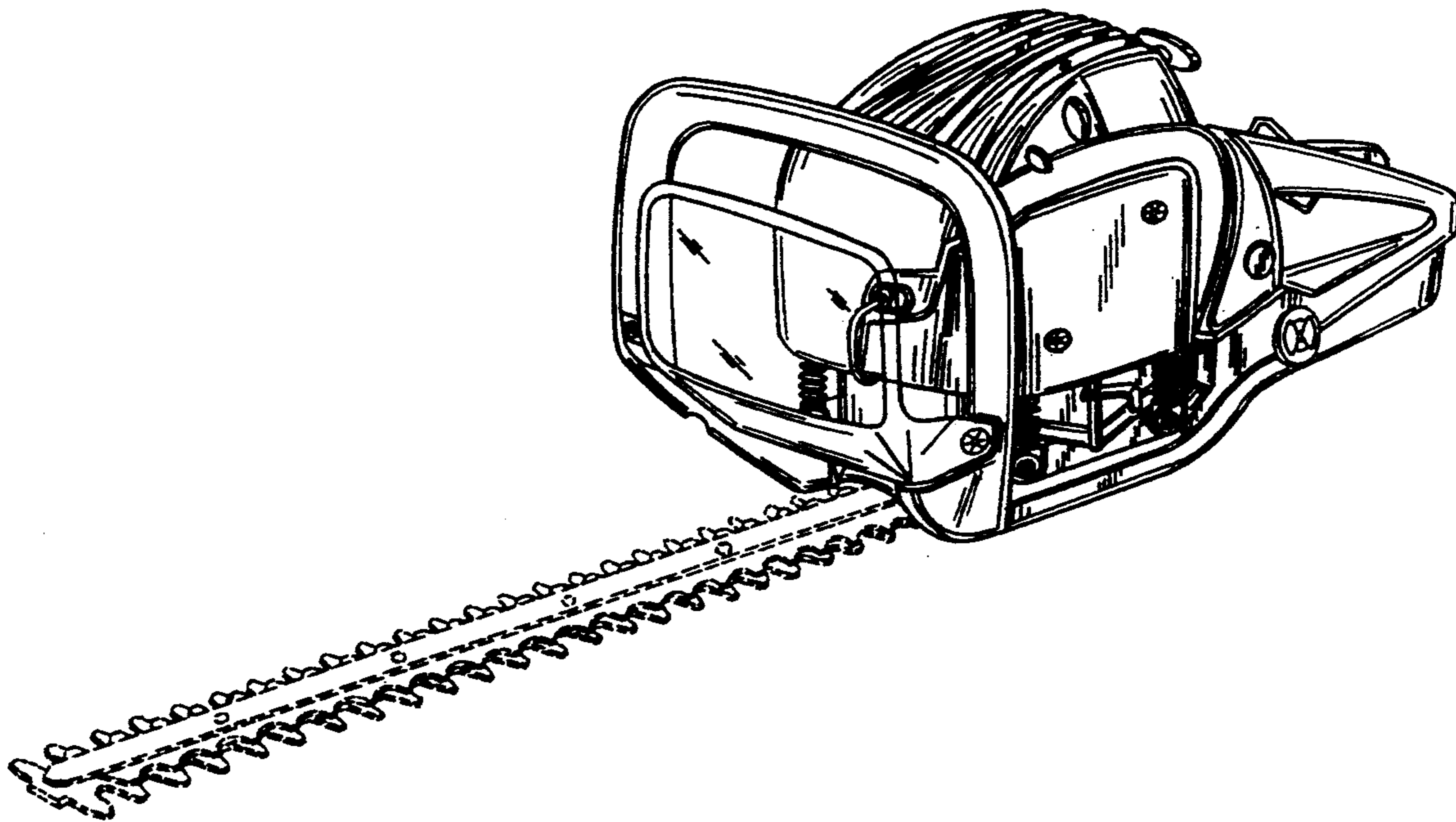
The ornamental design for a hedge trimmer housing, as shown and described.

DESCRIPTION

FIG. 1 is a front elevational view of a hedge trimmer housing showing my new design; FIG. 2 is a rear elevational view thereof; FIG. 3 is a right side elevational view thereof; FIG. 4 is a left side elevational view thereof; FIG. 5 is a left side perspective view taken from the front thereof; FIG. 6 is a top plan view thereof; and, FIG. 7 is a bottom plan view thereof. The dashed lines showing a cutting blade are for illustrative purposes only and form no part of the claimed design.

[56] References Cited U.S. PATENT DOCUMENTS

D. 285,894	9/1986	Kawakami et al.	D8/8
D. 301,961	7/1989	Narisue et al.	D8/8
D. 323,770	2/1992	Alsup	D8/8
D. 323,771	2/1992	Alsup et al.	D8/8
D. 333,954	3/1993	Karlsson et al.	D8/8
D. 344,088	2/1994	Tuggle et al.	D8/8 X
3,962,924	6/1976	Glover et al.	74/50
4,898,039	2/1990	Aiyama et al.	30/216 X



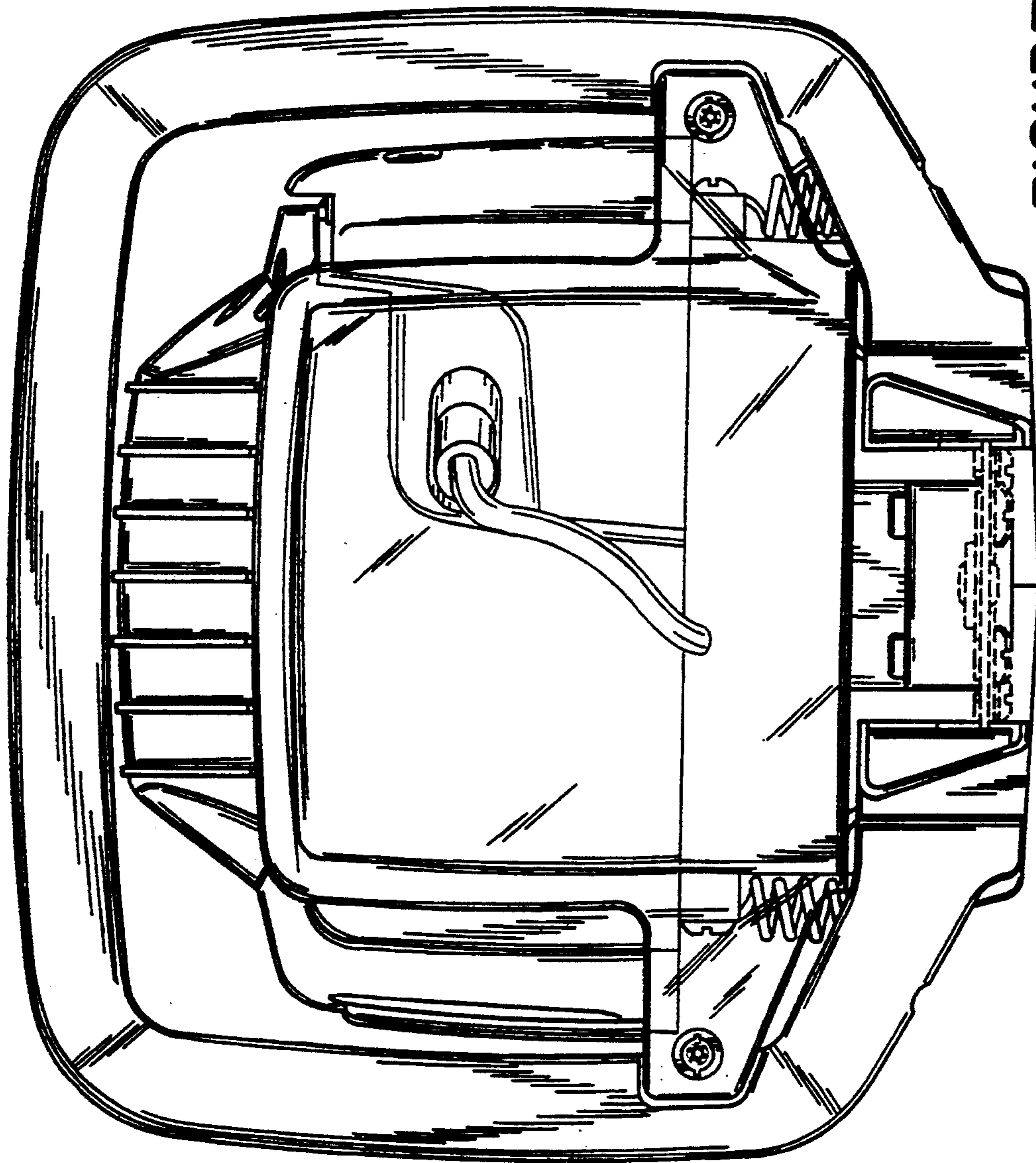


FIGURE 1

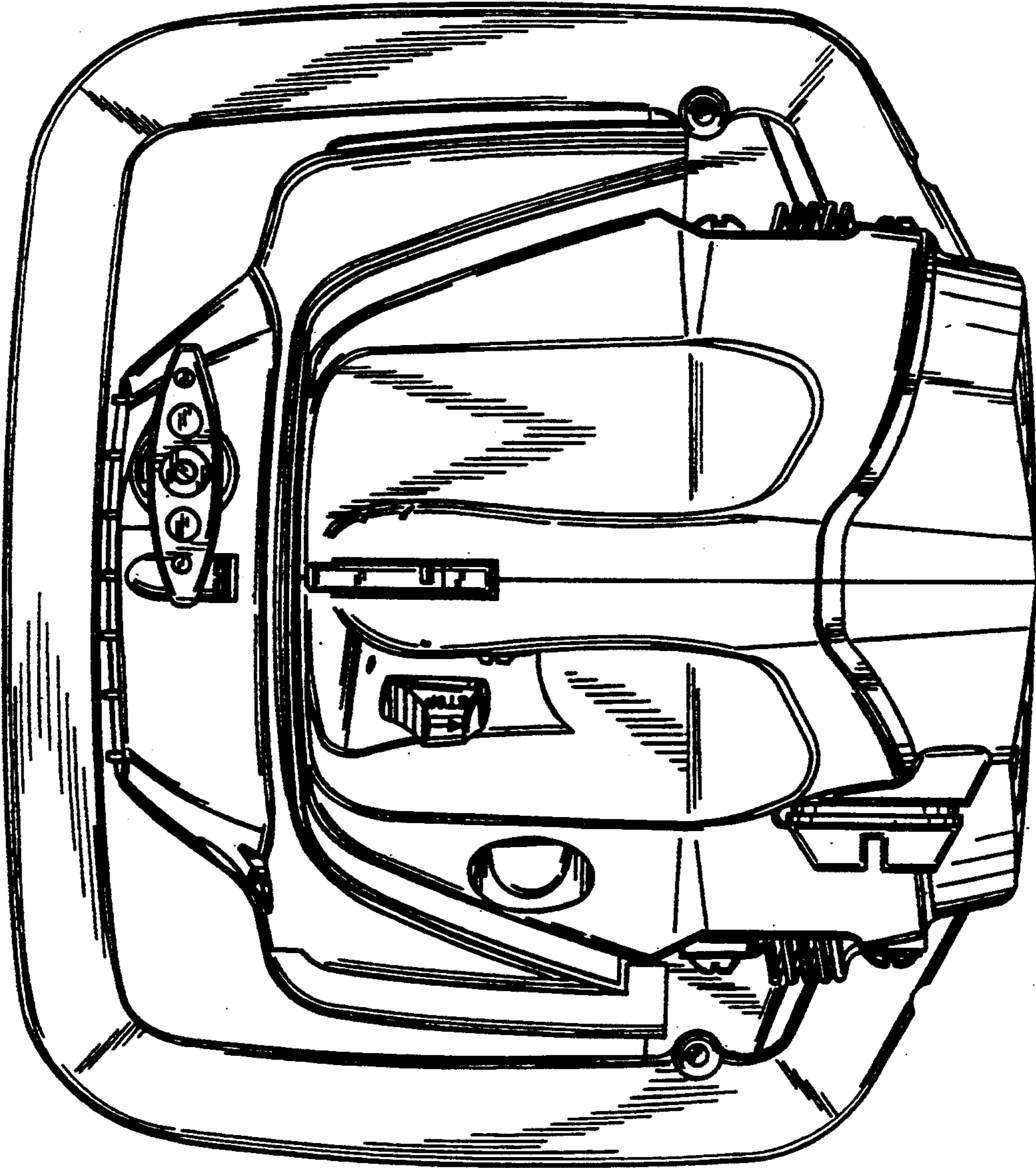


FIGURE 2

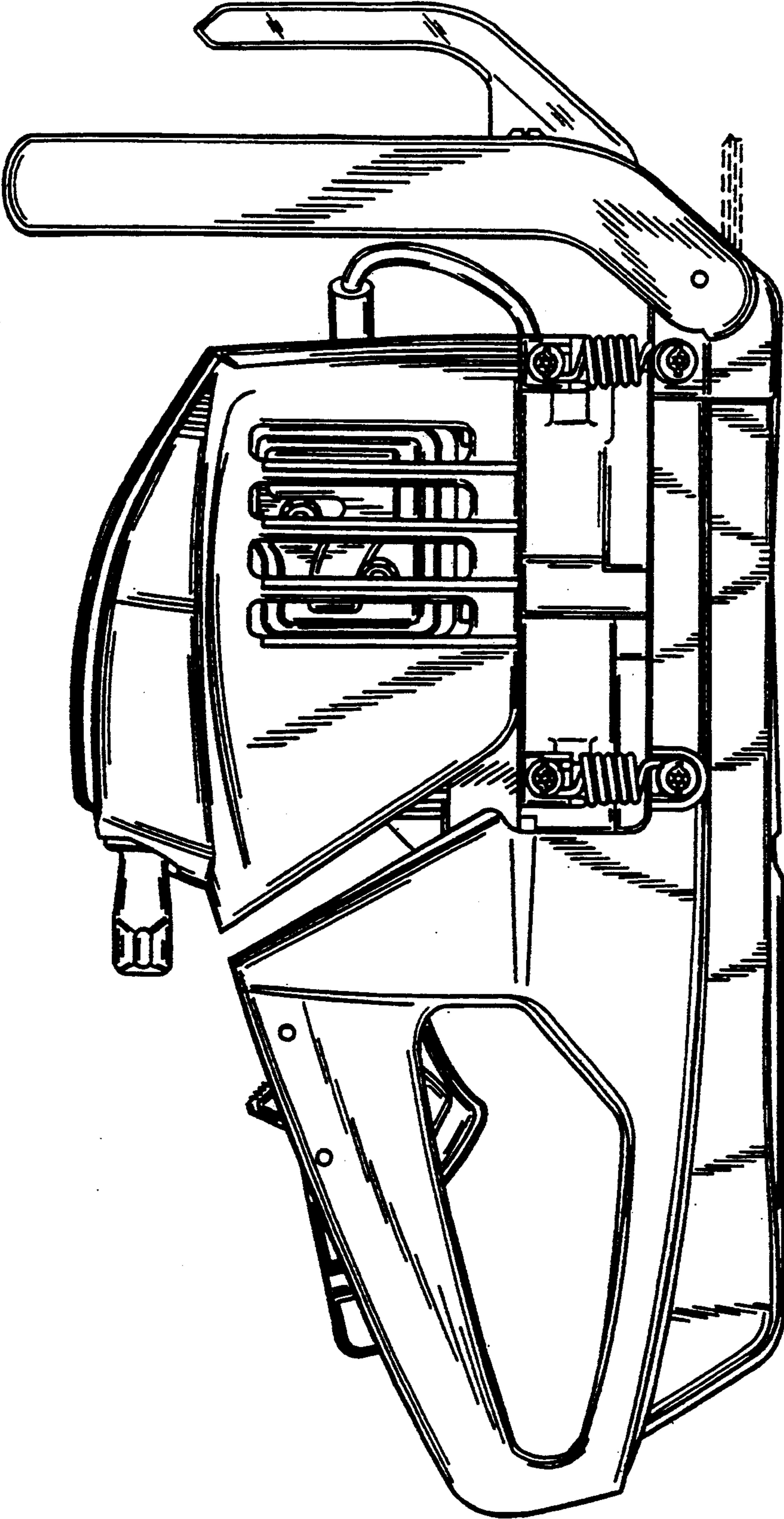


FIGURE 3

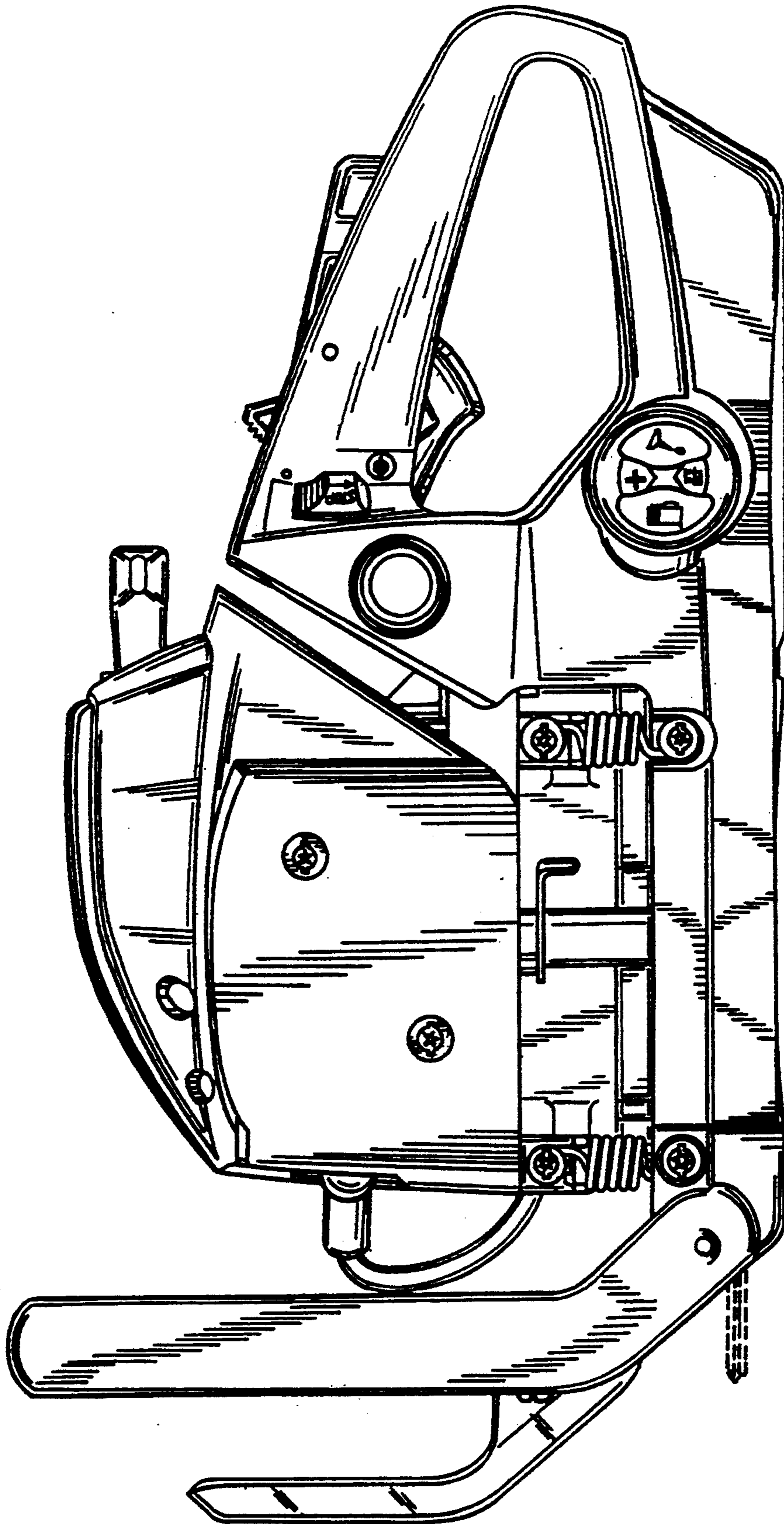


FIGURE 4

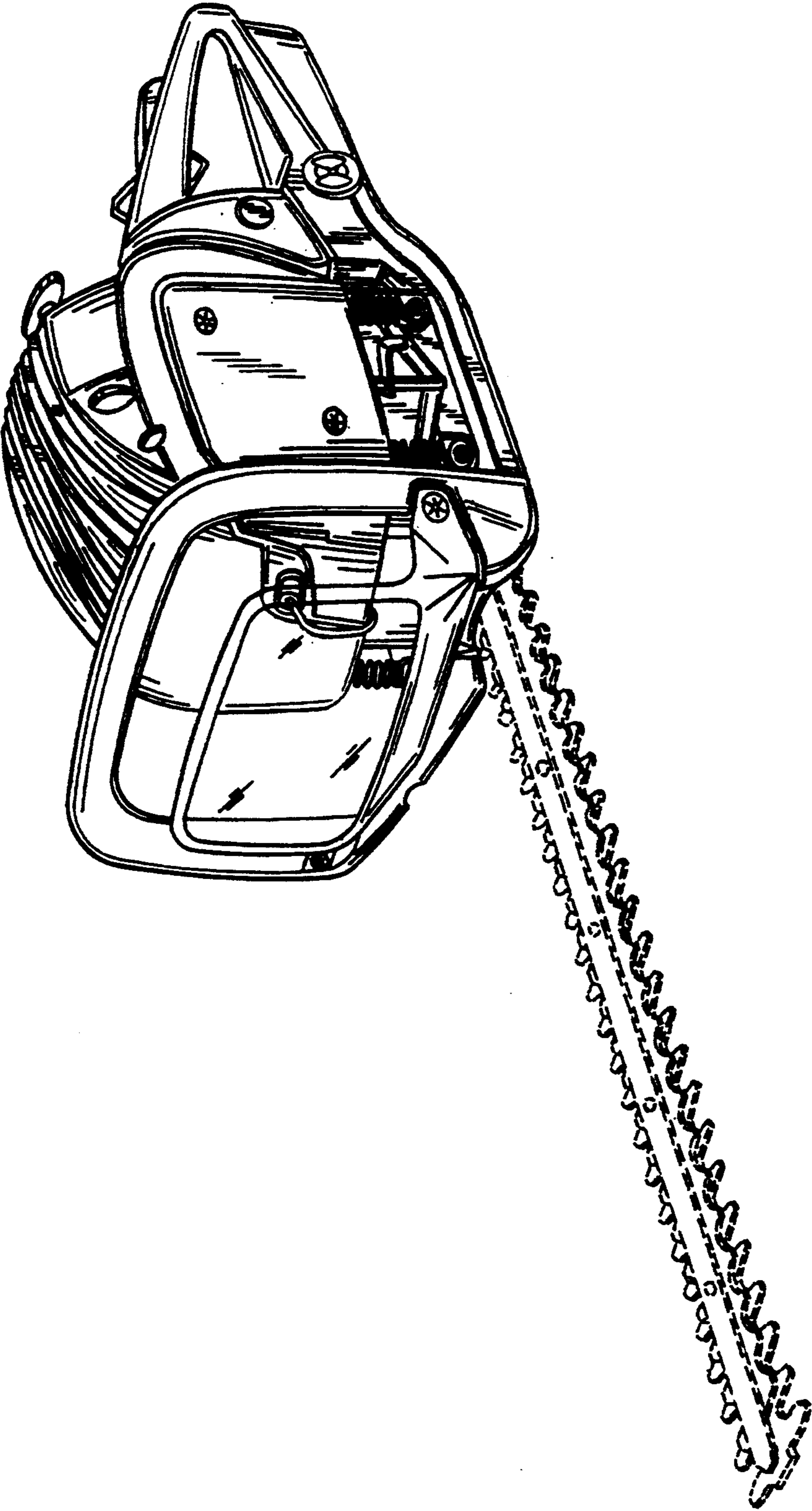


FIGURE 5

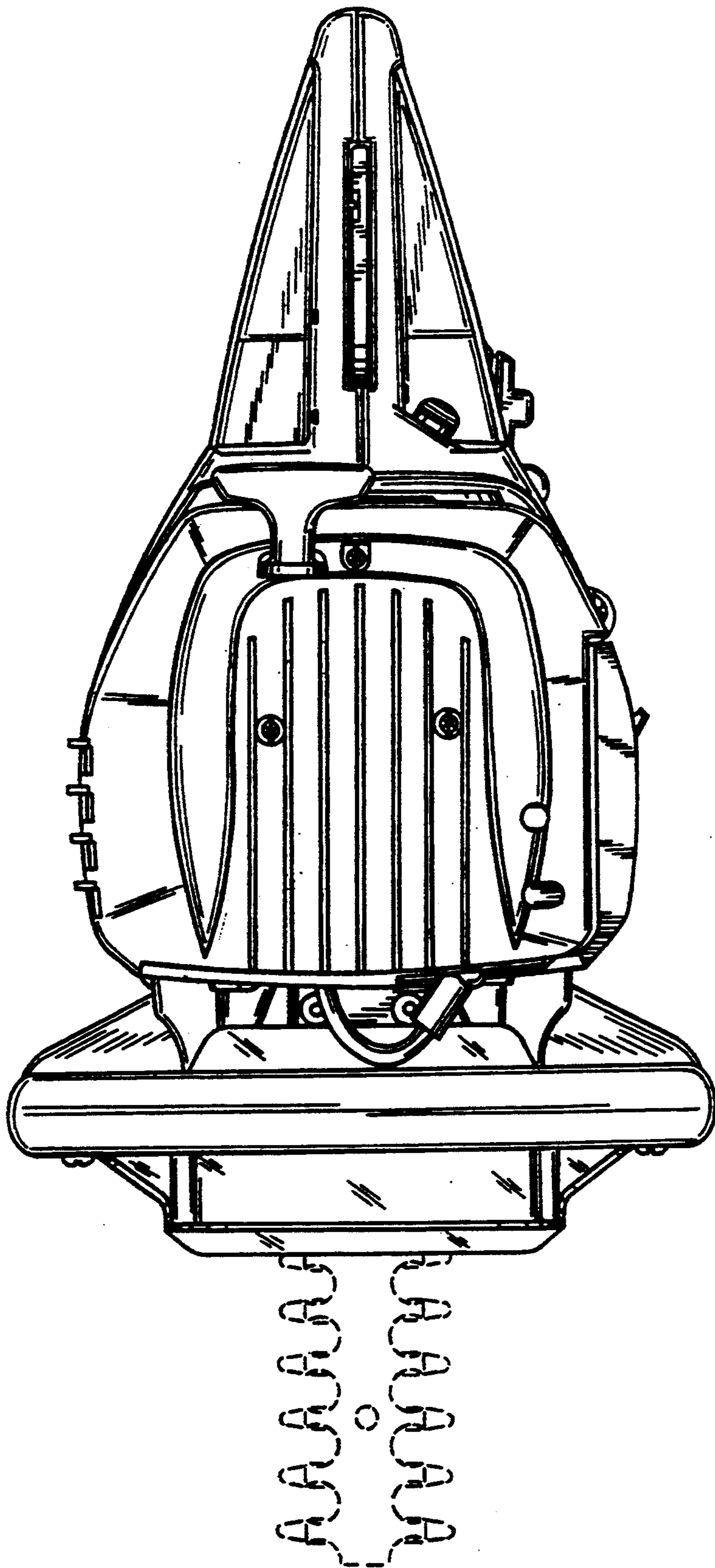


FIGURE 6

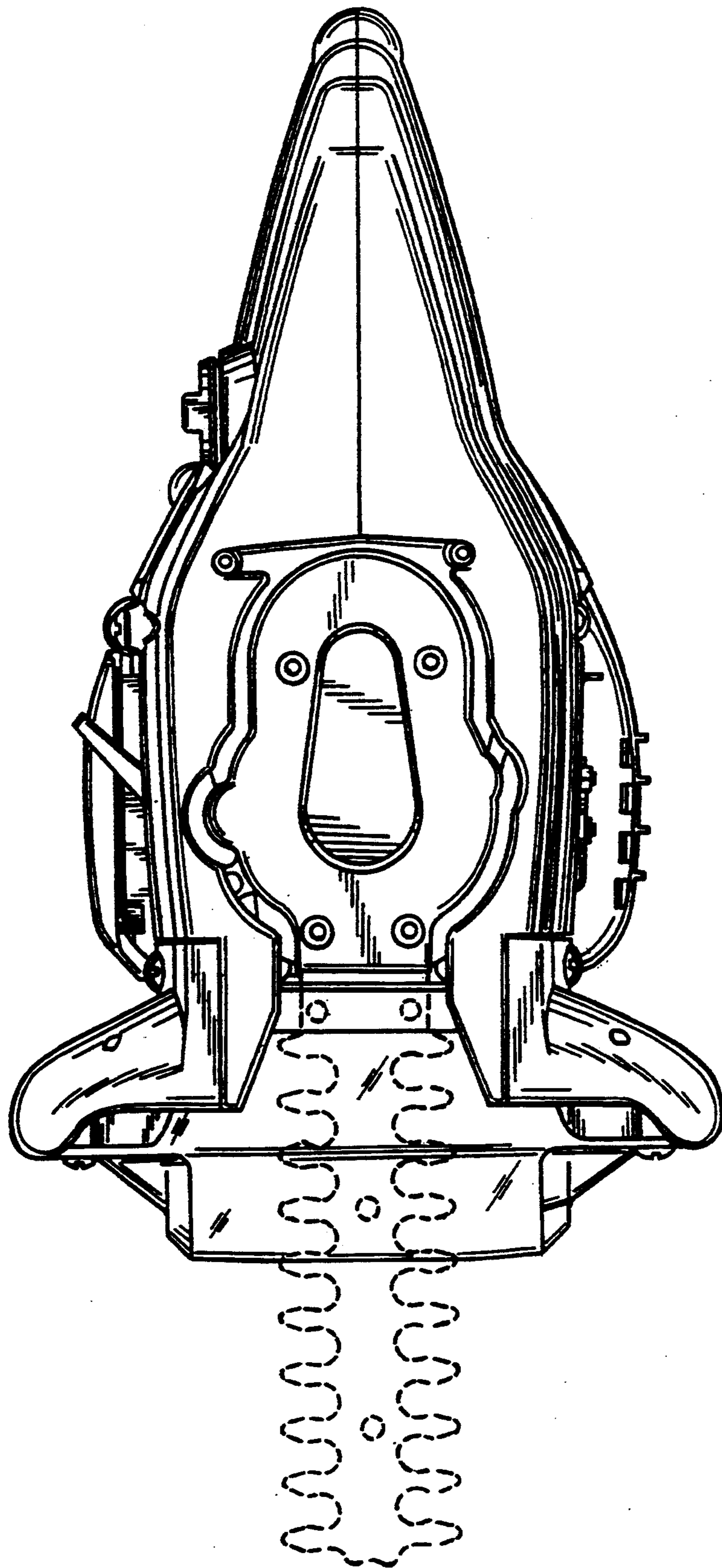


FIGURE 7