



US00D355570S

**United States Patent** [19]  
**Munnecke**

[11] **Patent Number: Des. 355,570**  
[45] **Date of Patent: \*\* Feb. 21, 1995**

[54] **PLANTING TOOL**

[76] **Inventor: Will G. Munnecke, 10537 S. Longwood Dr., Chicago, Ill. 60634**

[\*\*] **Term: 14 Years**

[21] **Appl. No.: 13,482**

[22] **Filed: Sep. 27, 1993**

[52] **U.S. Cl. .... D8/1**

[58] **Field of Search ..... D8/1, 7; 7/114-116; 172/371-372, 375-376**

[56] **References Cited**

**U.S. PATENT DOCUMENTS**

- D. 22,315 3/1893 Warner ..... D8/1
- D. 89,682 4/1933 Croasdale, Jr. et al. .... D8/7
- D. 156,876 1/1950 Fraim ..... D8/1

**OTHER PUBLICATIONS**

Langenbach Catalog, Spring 1992, p. 24, dibble located at right of page.

True Temper Catalog, Oct. 5, 1965, p. 5-1, bulb planter located at right of page.

*Primary Examiner*—Wallace R. Burke  
*Assistant Examiner*—H. Baynham  
*Attorney, Agent, or Firm*—Welsh & Katz, Ltd.

[57] **CLAIM**

The ornamental design for a planting tool, as shown and described.

**DESCRIPTION**

FIG. 1 is a perspective view of the planting tool of the present invention;

FIG. 2 is a front elevation thereof, with the rear elevation being identical thereto;

FIG. 3 is a left elevation thereof, with the right elevation being identical thereto;

FIG. 4 is a top plan view thereof; and,

FIG. 5 is a bottom plan view thereof.

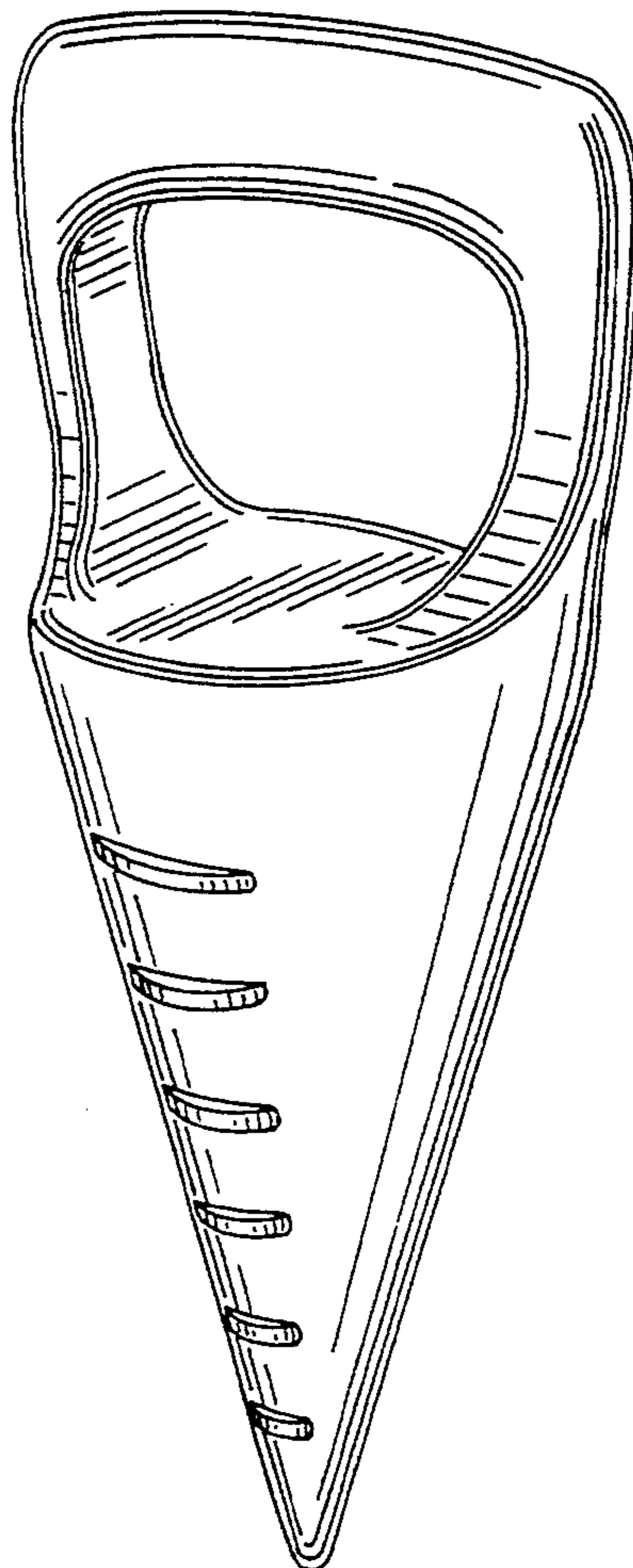


FIG. 1

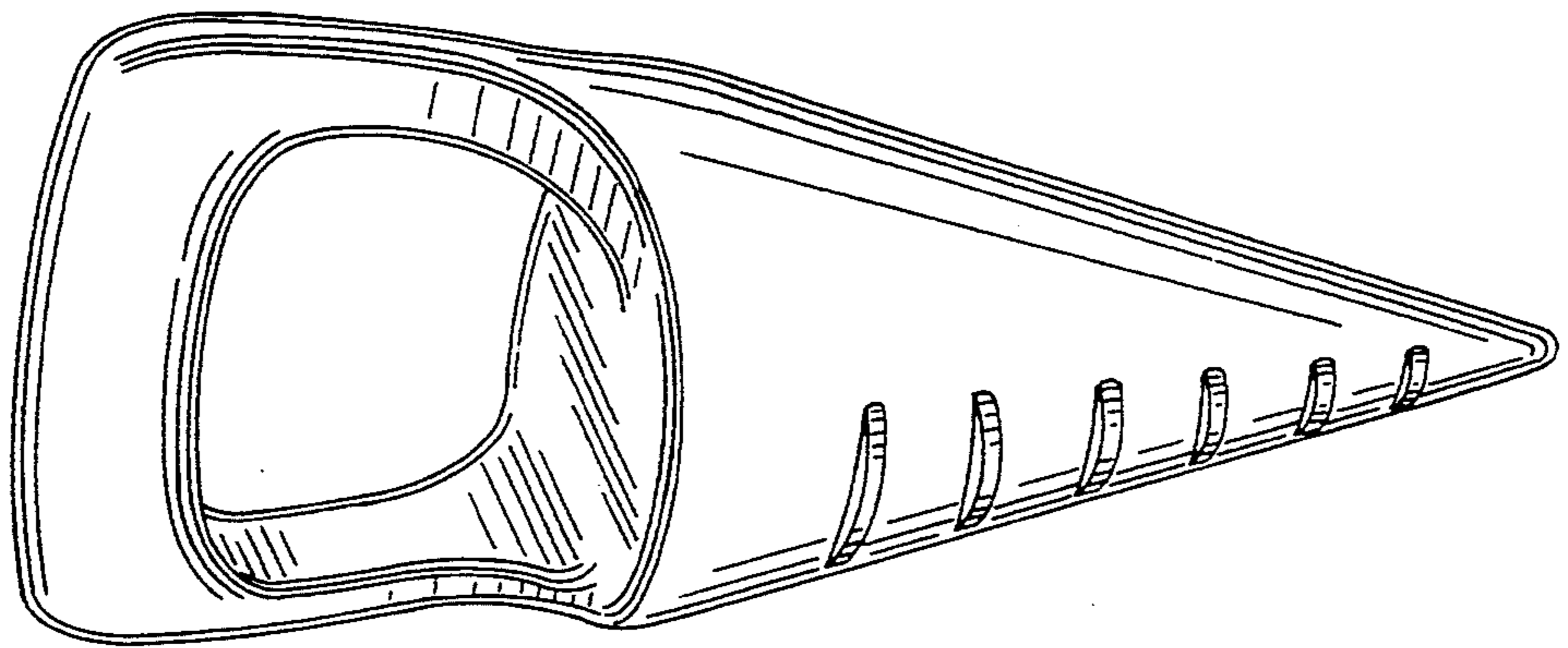


FIG. 2

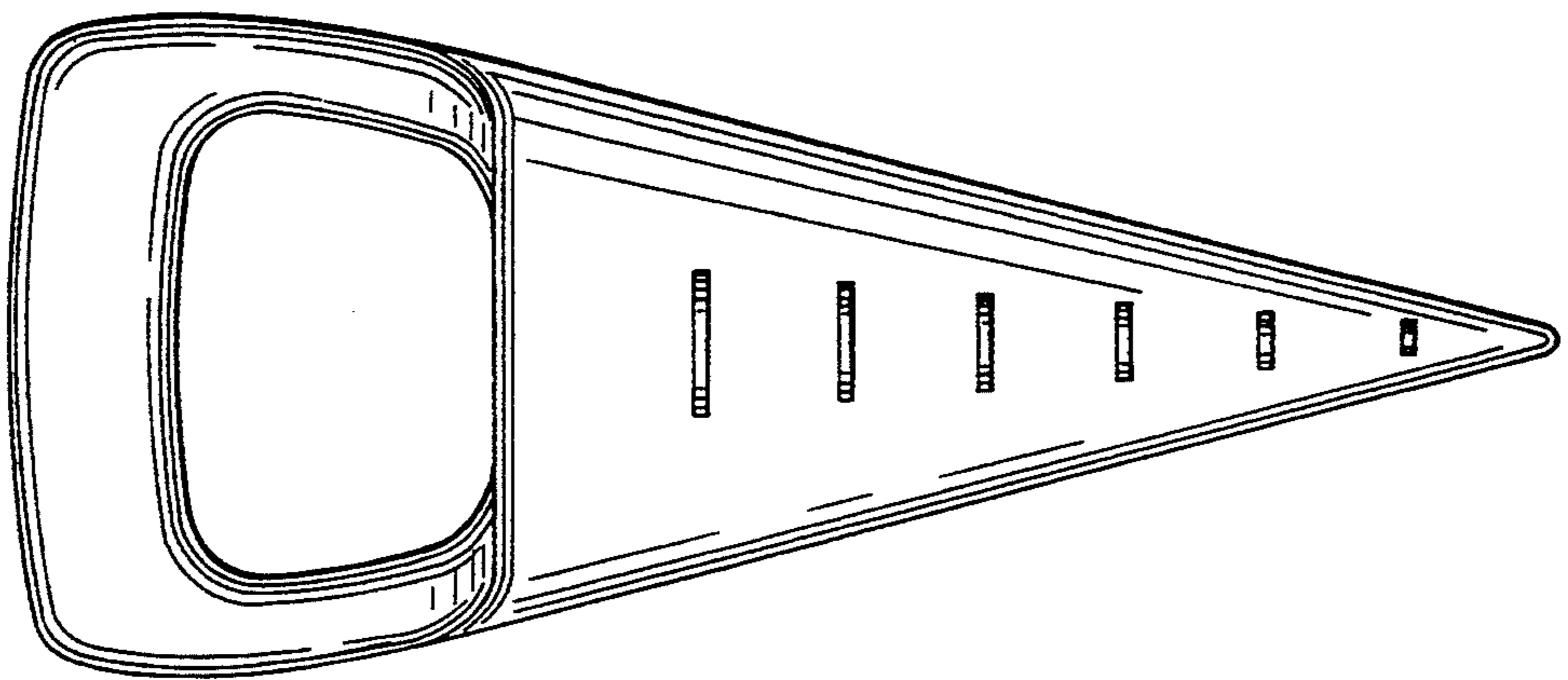


FIG. 3

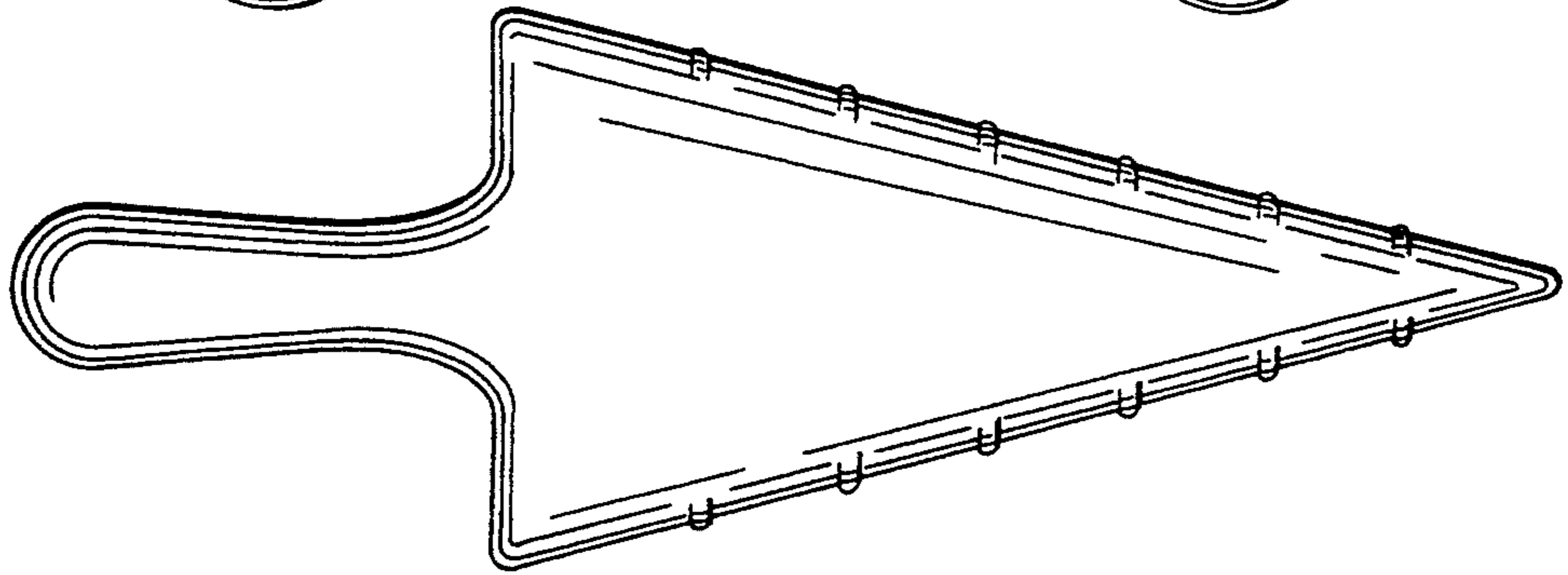


FIG. 4

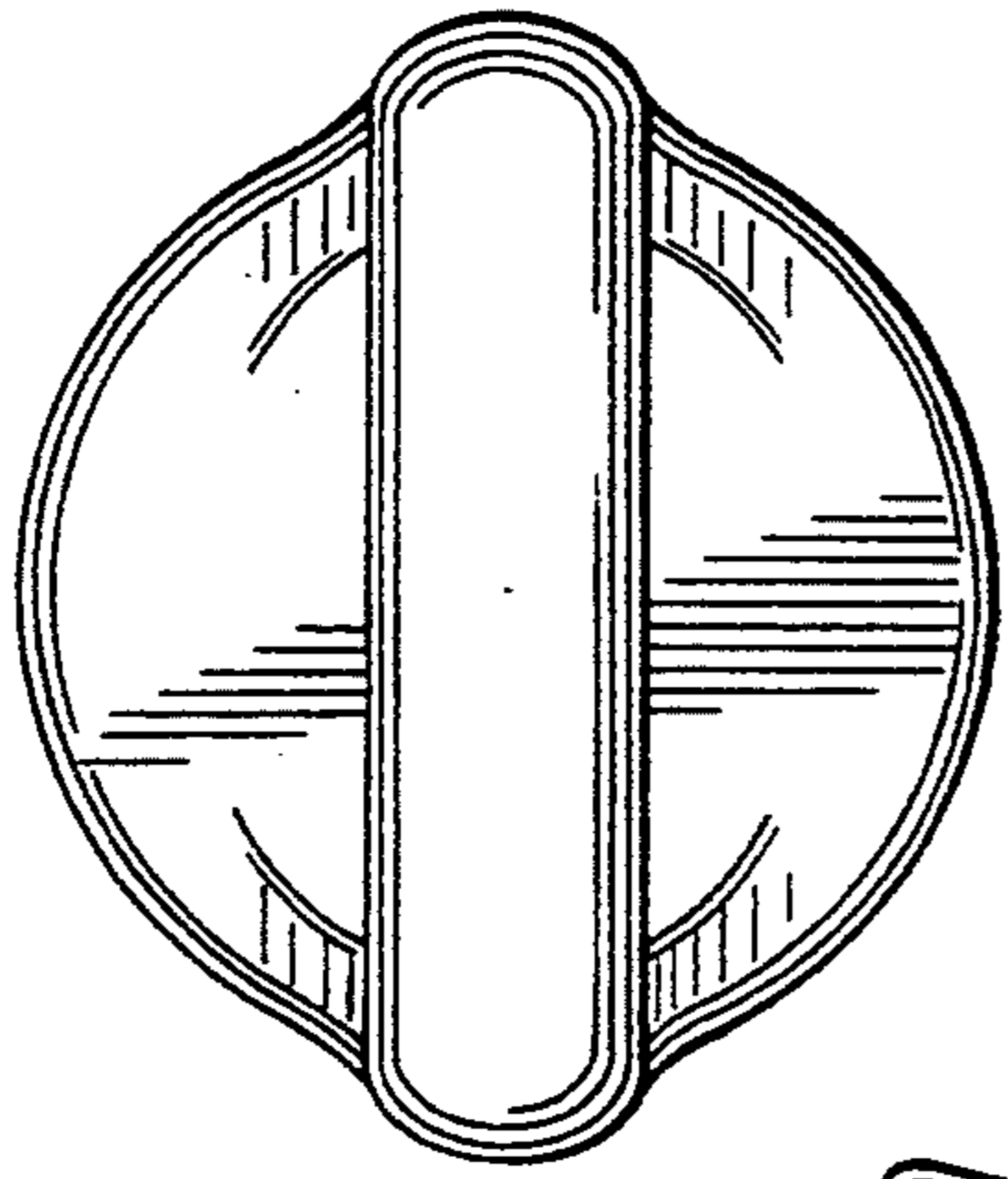


FIG. 5

