



US00D355568S

United States Patent [19]

[11] Patent Number: **Des. 355,568**

Paulin et al.

[45] Date of Patent: **** Feb. 21, 1995**

[54] **COOLER**

[75] Inventors: **Donat Paulin**, Ajax; **Cheryl A. Crosby**, Willowdale; **Hugh J. McDonald**, Toronto, all of Canada; **Gregory S. Breiding**, Columbus; **Keith J. Kresge**, Worthington, both of Ohio; **Marty Gage**, Columbus; **Robert W. Mervar**, Westerville, both of Ohio

[73] Assignee: **Canadian Thermos Products Inc.**, Scarborough, Ontario, Canada

[**] Term: **14 Years**

[21] Appl. No.: **11,485**

[22] Filed: **Aug. 5, 1993**

[30] **Foreign Application Priority Data**

Feb. 10, 1993 [CA] Canada 1002931

[52] U.S. Cl. **D7/607; D3/301**

[58] Field of Search **D7/605-608; D3/273, 276, 283, 287, 289, 301; 62/457.1, 457.5, 457.7, 372; 206/545, 548-549, 541; 220/412; 383/97, 109, 110**

[56]

References Cited

U.S. PATENT DOCUMENTS

- D. 284,333 6/1986 Huston D3/283 X
- D. 289,597 5/1987 Averitt D7/605
- D. 340,840 11/1993 Melk D7/607
- D. 343,732 2/1994 McConnell D7/605 X
- 4,805,776 2/1989 Namgyal et al. D7/607 X

Primary Examiner—Terry A. Wallace

[57]

CLAIM

The ornamental design for a cooler, as shown and described.

DESCRIPTION

FIG. 1 is a perspective view of a cooler showing our new design;

FIG. 2 is a front elevational view thereof;

FIG. 3 is a right side elevational view thereof;

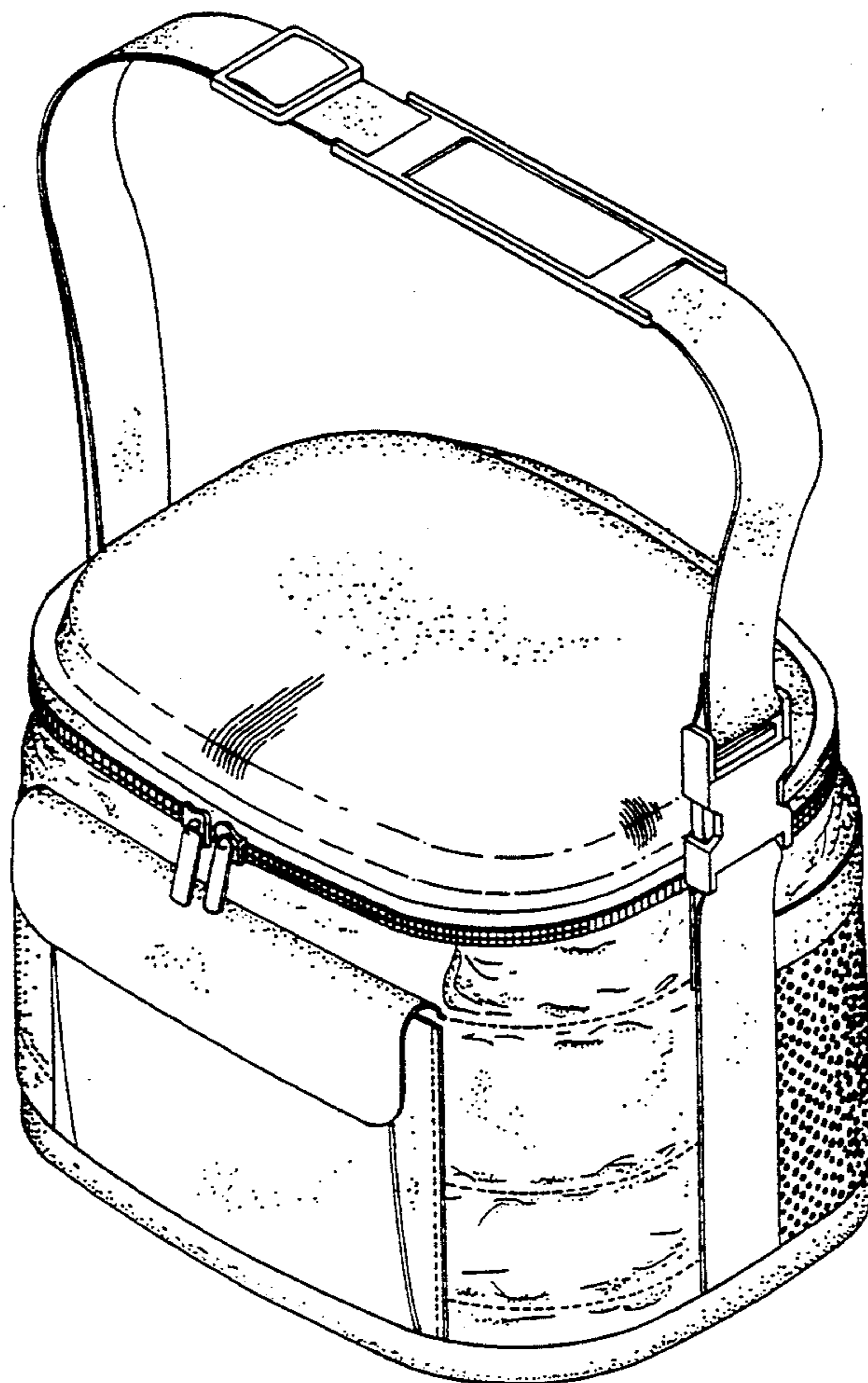
FIG. 4 is a left side elevational view thereof;

FIG. 5 is a top plan view thereof;

FIG. 6 is a rear elevational view thereof;

FIG. 7 is a bottom plan view thereof; and,

FIG. 8 is a perspective view thereof in an open position with the handle removed for clarity of illustration.



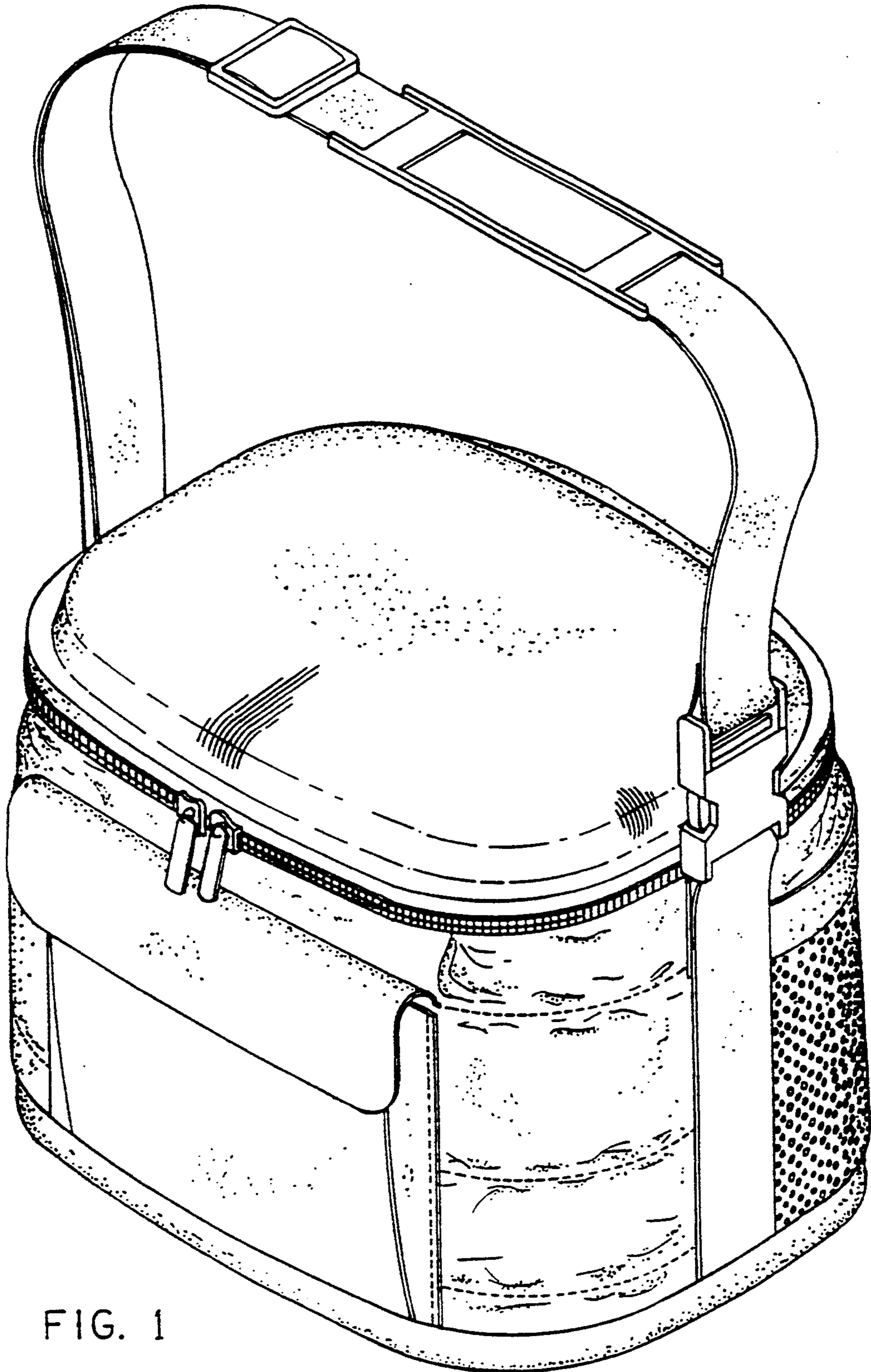


FIG. 1

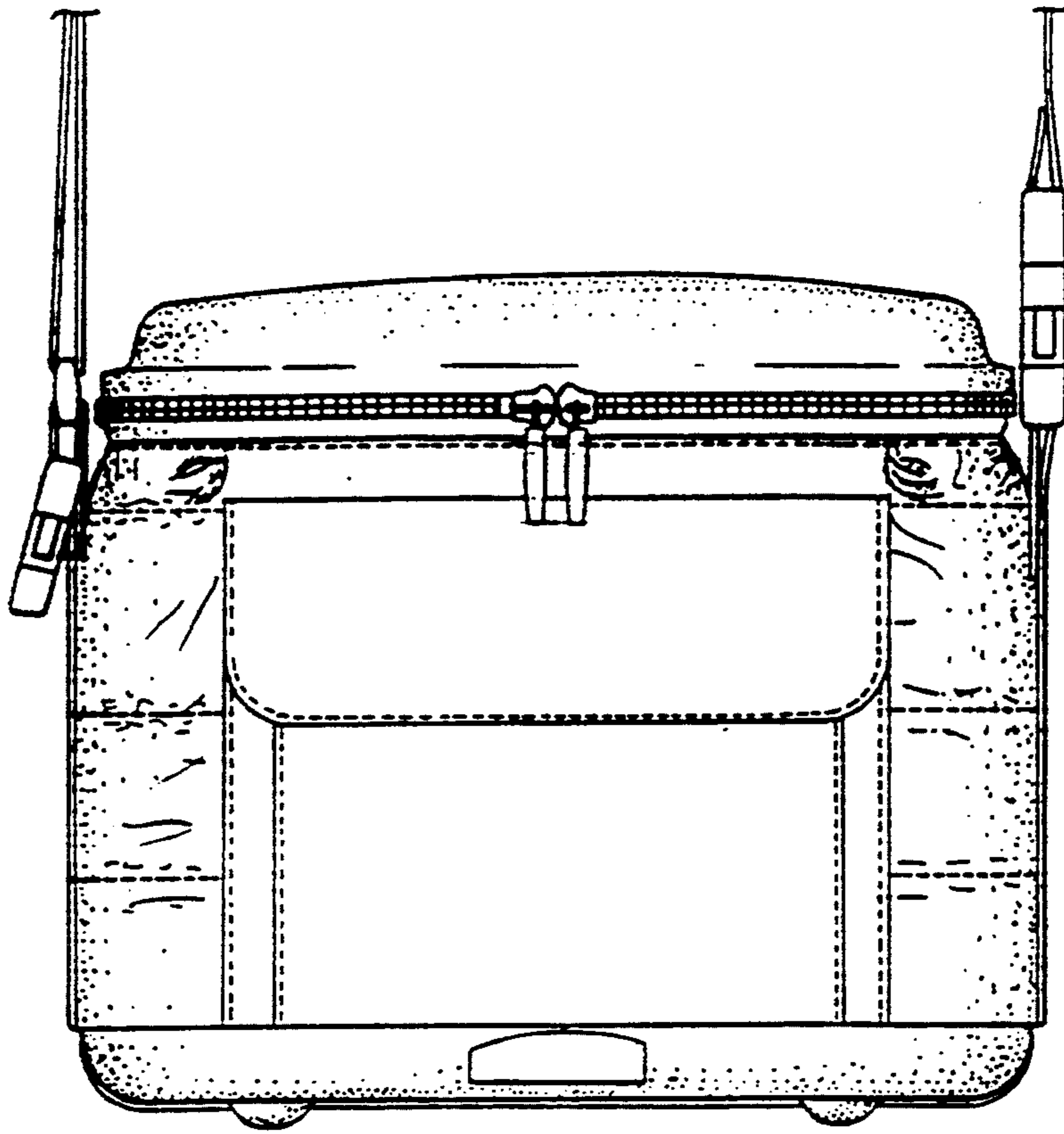


FIG. 2

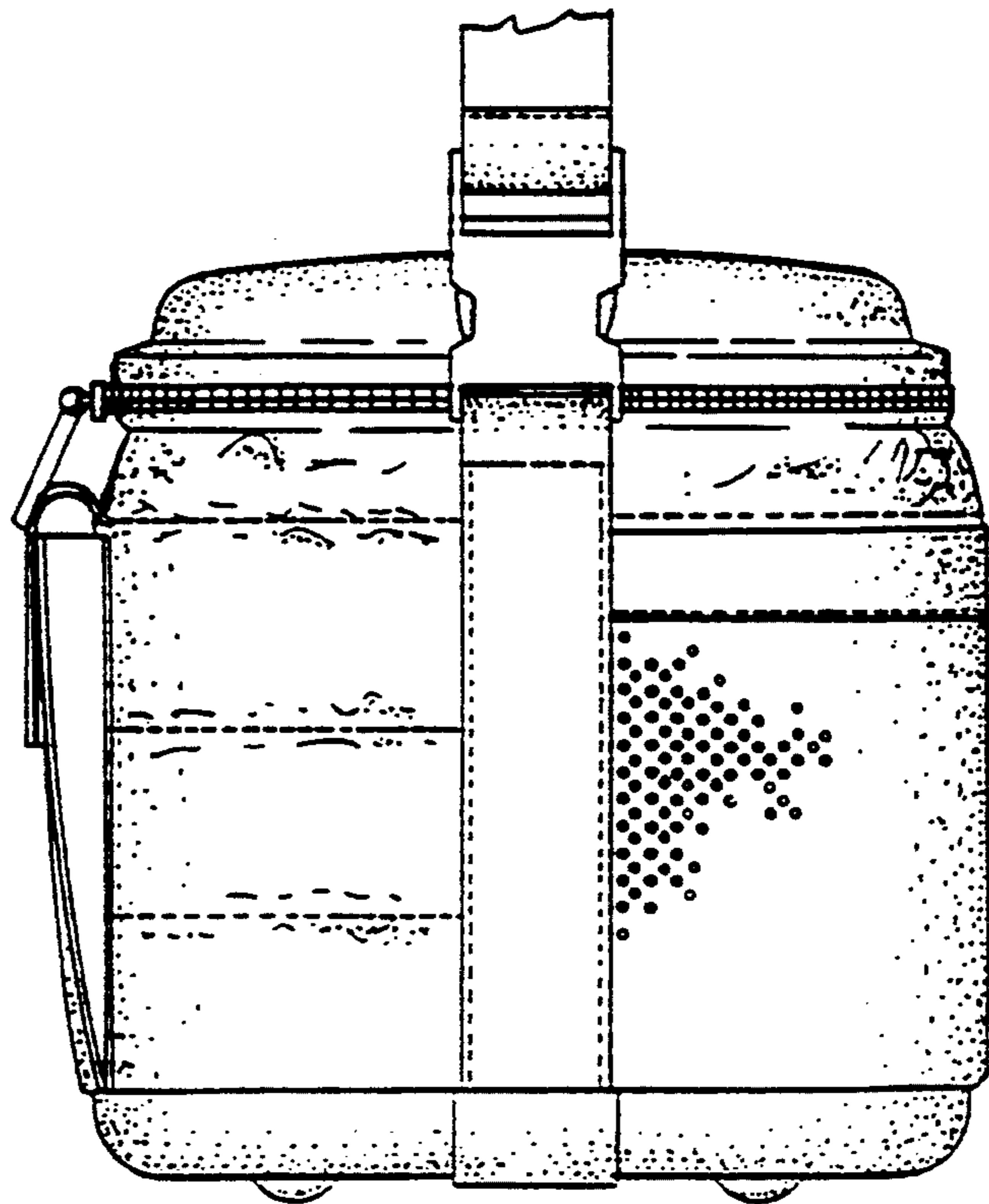


FIG. 3

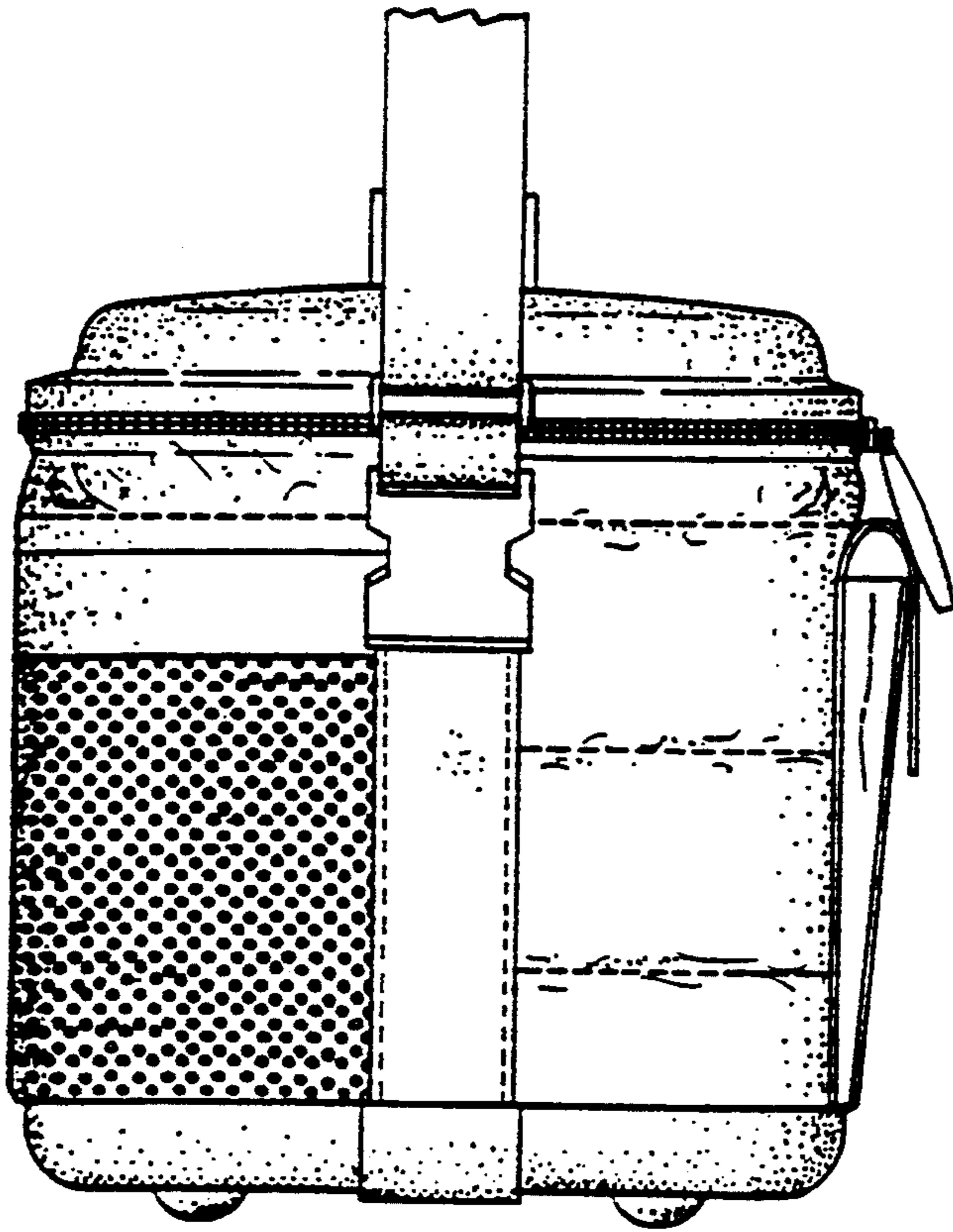


FIG. 4

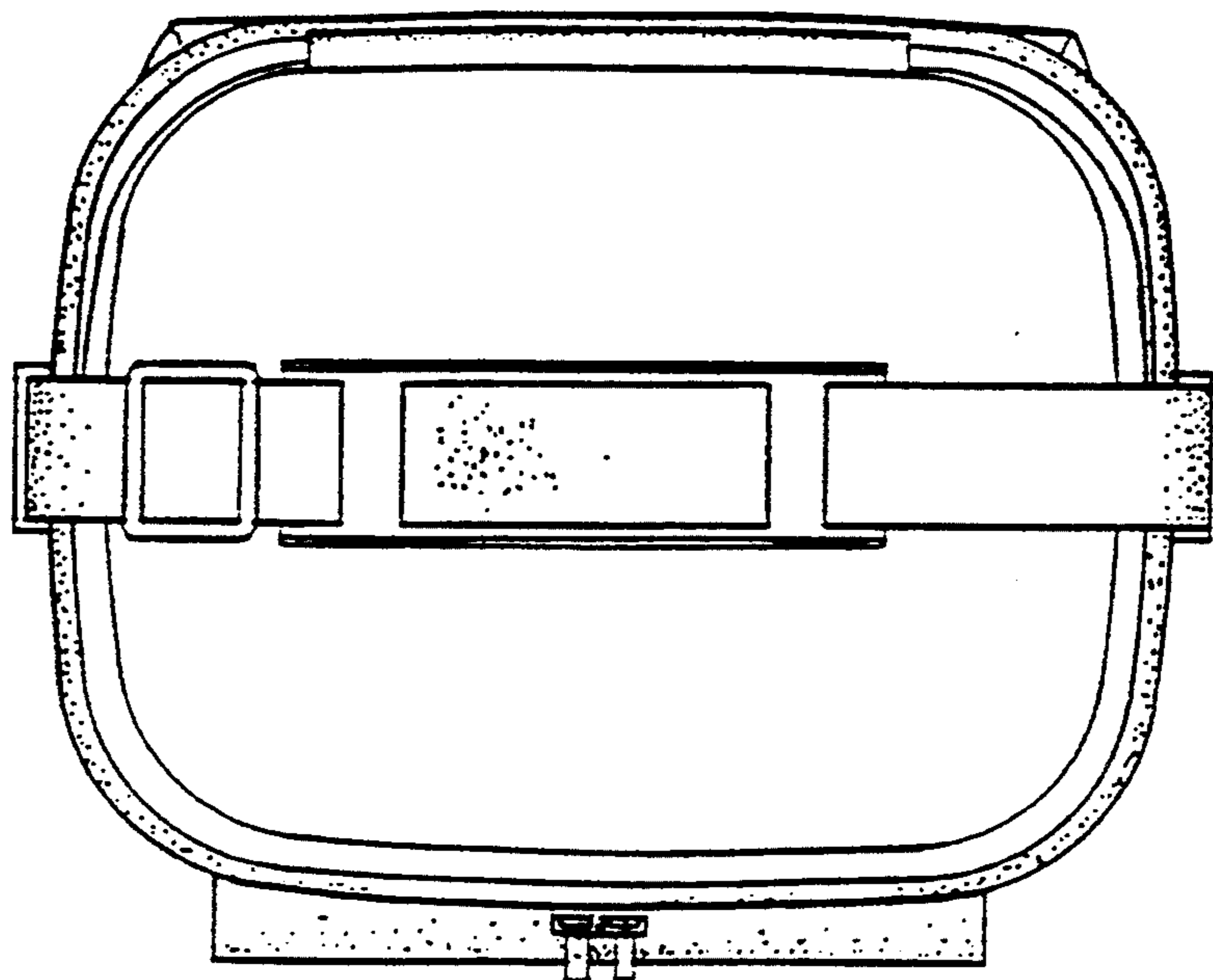


FIG. 5

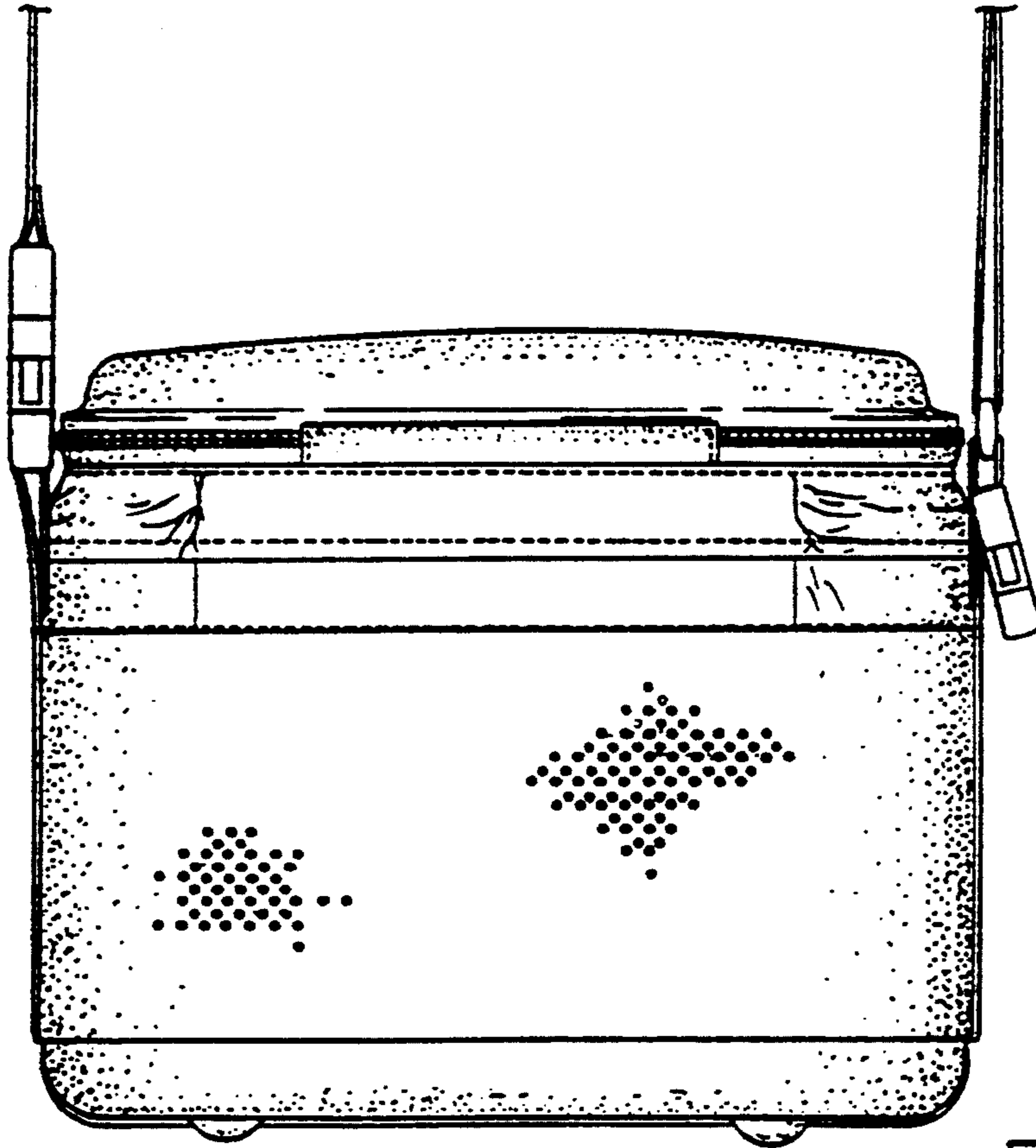


FIG. 6

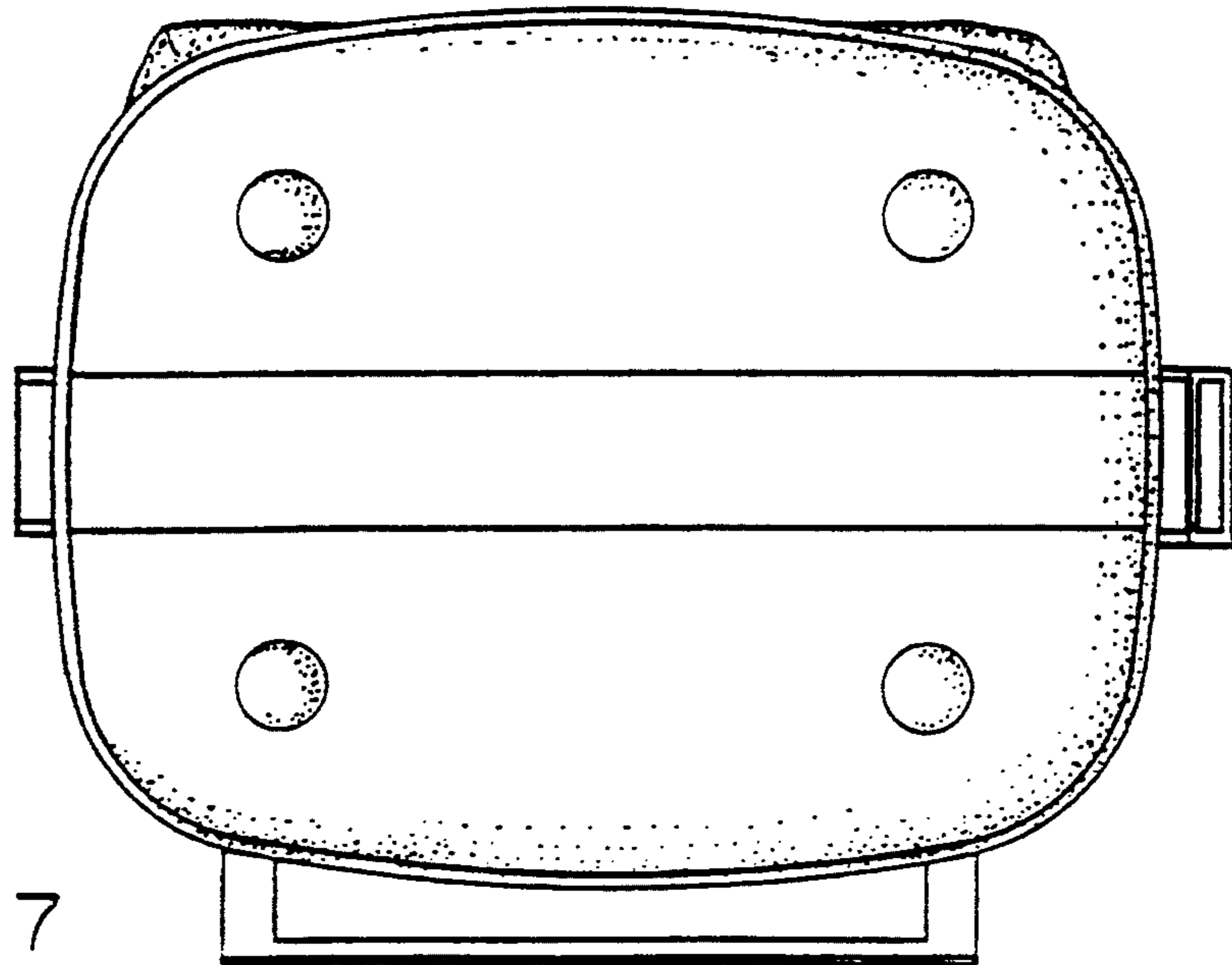


FIG. 7

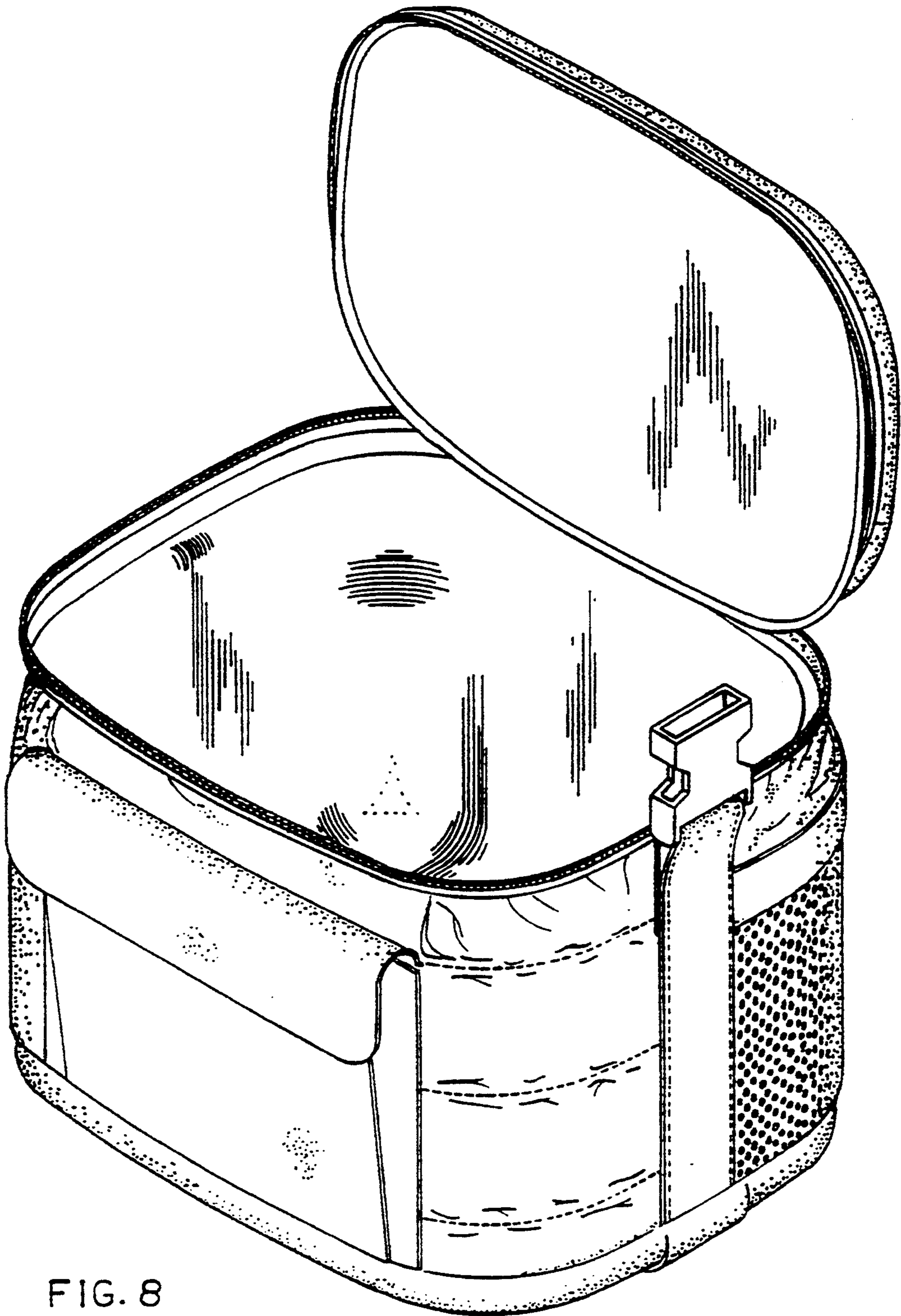


FIG. 8