



US00D355566S

United States Patent [19]

[11] Patent Number: Des. 355,566

Stephen et al.

[45] Date of Patent: ** Feb. 21, 1995

[54] **COMBINED LEG SUPPORT AND ASH CATCHER FOR OUTDOOR COOKER**

[75] Inventors: **James C. Stephen**, Arlington Heights; **Erich J. Schlosser**, Barrington, both of Ill.

[73] Assignee: **Weber-Stephen Products Co.**, Palatine, Ill.

[**] Term: **14 Years**

[21] Appl. No.: **930,944**

[22] Filed: **Aug. 13, 1992**

[52] U.S. Cl. **D7/403**

[58] Field of Search **D7/331, 332-337, D7/339, 342, 402-403; 126/25 R, 25 A, 25 AA, 29-30, 8, 39 B, 39 BA, 242-243, 245, 40, 50, 280, 304 R, 305; 99/419, 421 R, 421 HV**

[56] References Cited

U.S. PATENT DOCUMENTS

- Re. 32,288 11/1986 Berger .
- D. 278,021 3/1985 Schlosser et al. D7/332
- D. 284,929 8/1986 Schlosser et al. D7/332
- D. 293,191 12/1987 Stephen et al. D7/332
- D. 321,108 10/1991 Lutter et al. D7/332
- 1,133,850 3/1915 Garraux .
- 1,504,102 8/1924 Davis .
- 2,918,051 12/1959 Broman .
- 2,940,381 6/1960 Cottongim et al. .
- 2,949,209 8/1960 Schott 126/304
- 3,060,919 10/1962 Shaw .
- 3,443,510 5/1969 Norton .
- 3,552,301 1/1971 McNeff .

- 3,688,758 9/1972 Stephen, Jr. .
- 3,859,978 1/1975 Smith .
- 3,989,028 11/1976 Berger .
- 4,190,677 2/1980 Robins .
- 4,233,890 11/1980 Jansen .
- 4,567,876 2/1986 Ogden .
- 4,576,140 3/1986 Schlosser D7/403
- 4,583,452 4/1986 Grosse .
- 4,606,261 8/1986 Bernardi .
- 4,697,506 10/1987 Ducate, Jr. .
- 4,727,853 3/1988 Stephen et al. .
- 4,741,322 5/1988 Lin 126/25 R
- 4,777,927 10/1988 Stephen et al. .
- 5,009,151 4/1991 Hungerford 126/25 R
- 5,044,266 9/1991 Geogaris .

FOREIGN PATENT DOCUMENTS

- 197807 7/1978 Switzerland .

Primary Examiner—Ruth McInroy
Attorney, Agent, or Firm—Wallenstein, Wagner & Hattis, Ltd.

[57] CLAIM

The ornamental design for a combined leg support and ash catcher for outdoor cooker, as shown and described.

DESCRIPTION

FIG. 1 is a perspective view of a combined leg support and ash catcher for outdoor cooker showing our new design; FIG. 2 is a rear elevation view thereof; and, FIG. 3 is a bottom plan view thereof. The grill in broken lines is shown for illustrative purposes only and forms no part of the claimed design.

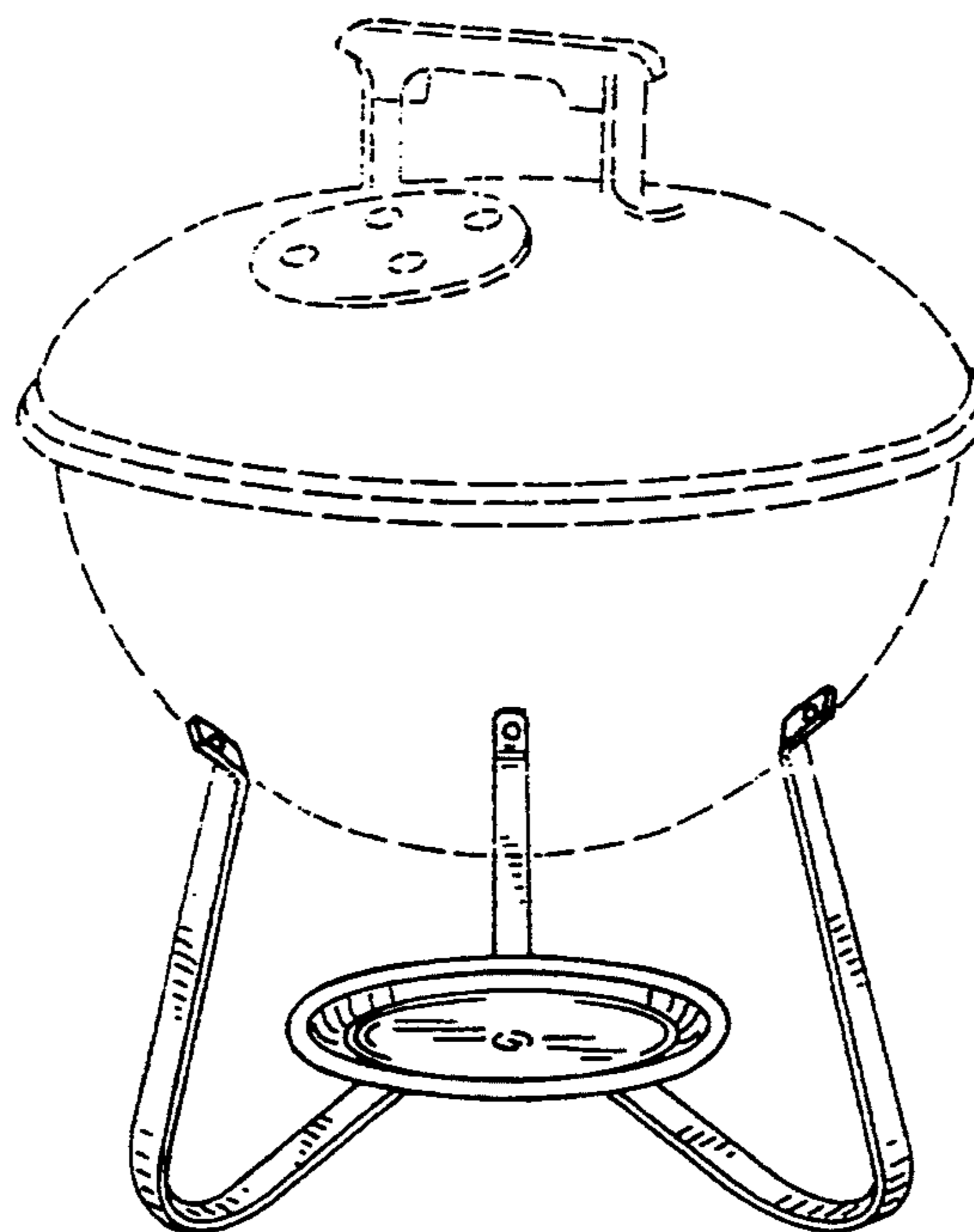


FIG. 1

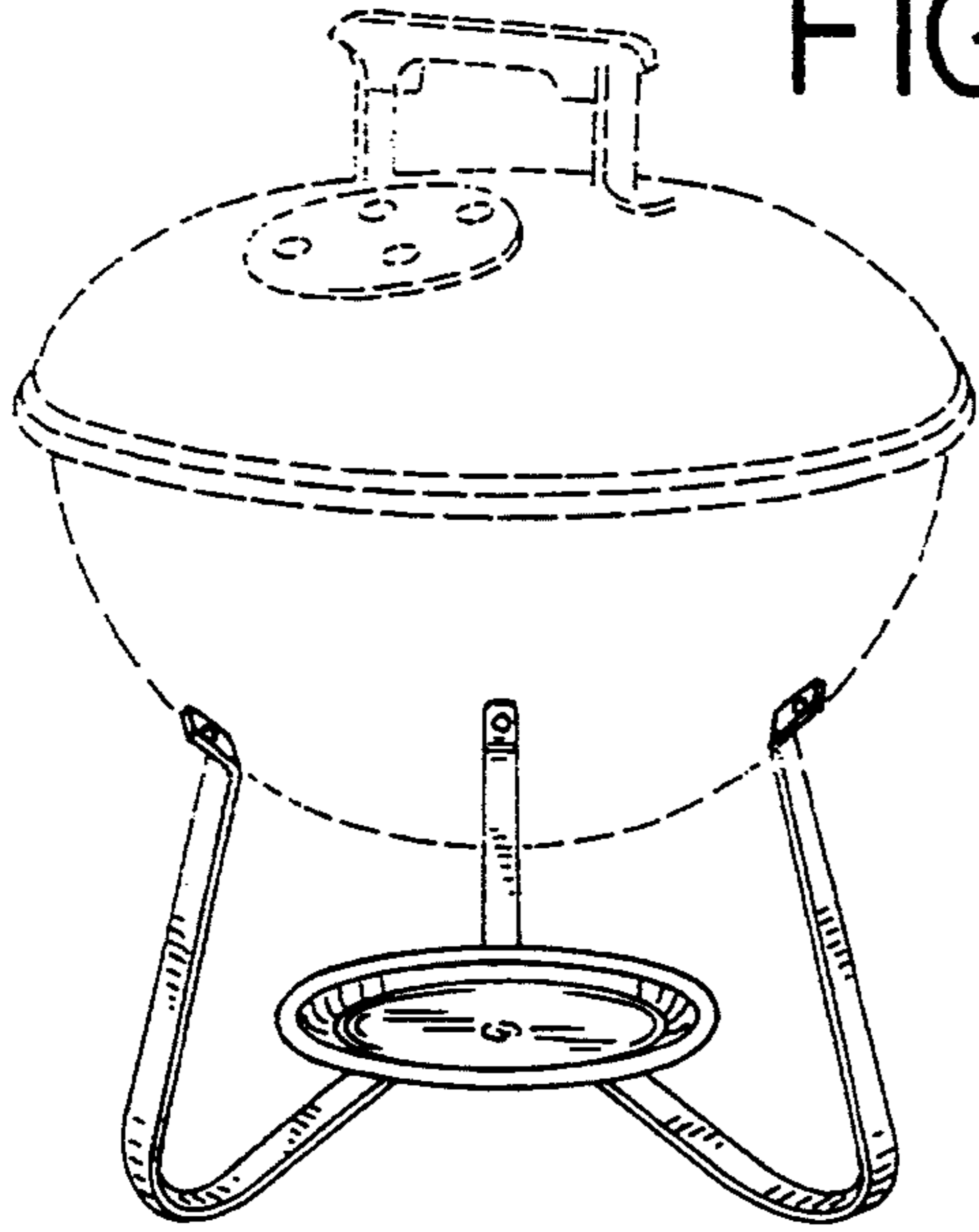


FIG. 2

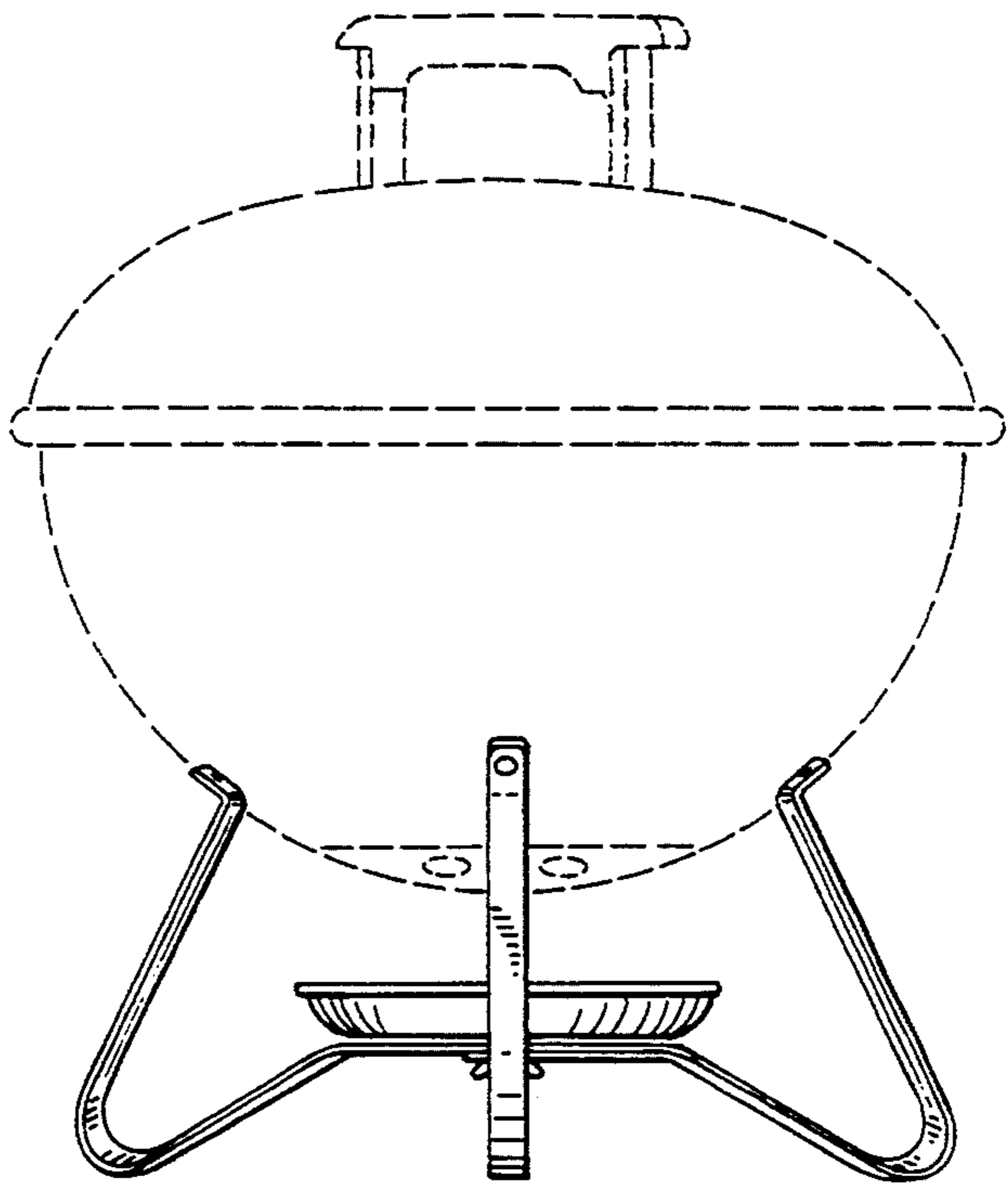


FIG. 3

