



US00D355563S

United States Patent [19]

[11] Patent Number: **Des. 355,563**

Lebowitz

[45] Date of Patent: **** Feb. 21, 1995**

[54] **TEA KETTLE**

D. 289,001	3/1987	Thurlow	D7/321
D. 336,006	6/1993	Lebowitz	D7/322
5,135,128	8/1992	Kuhn	220/912 X

[75] Inventor: **Sam Lebowitz, New York, N.Y.**

[73] Assignee: **Wilton Industries, Inc., Woodridge, Ill.**

[**] Term: **14 Years**

[21] Appl. No.: **1,620**

[22] Filed: **Nov. 18, 1992**

[52] U.S. Cl. **D7/322; D7/321**

[58] Field of Search **D7/322, 321, 319, 318, D7/317, 316, 312, 598, 600, 538; 222/465.1, 469, 470, 471, 475.1; 220/912**

OTHER PUBLICATIONS

Kettle By Soriyanagi 1953 (top Right) (#5), Design 404, p. 30 Aug. 1982.

Kettle, Country Living, Jun. 1986, p. 39.

Copco Teapot (Top), HFD p. 110, Jan. 16, 1989.

Primary Examiner—Nelson C. Holtje

Assistant Examiner—M. N. Pandozzi

Attorney, Agent, or Firm—Rockey, Rifkin & Ryther

[57] CLAIM

The ornamental design for tea kettle, as shown.

DESCRIPTION

FIG. 1 is a perspective view of a tea kettle showing my design;

FIG. 2 is a side elevational view thereof;

FIG. 3 is a front elevational view thereof;

FIG. 4 is a rear elevational view thereof;

FIG. 5 is a top plan view thereof; and,

FIG. 6 is a bottom plan view thereof.

[56] References Cited

U.S. PATENT DOCUMENTS

D. 95,152	4/1935	Schreckengost	D7/312
D. 95,278	4/1935	Mills	D7/321
D. 95,621	5/1935	Zemler	D7/321
D. 112,606	12/1938	Kato	D7/538
D. 185,054	4/1959	Winans	D7/321
D. 282,810	3/1986	Urich	D7/322

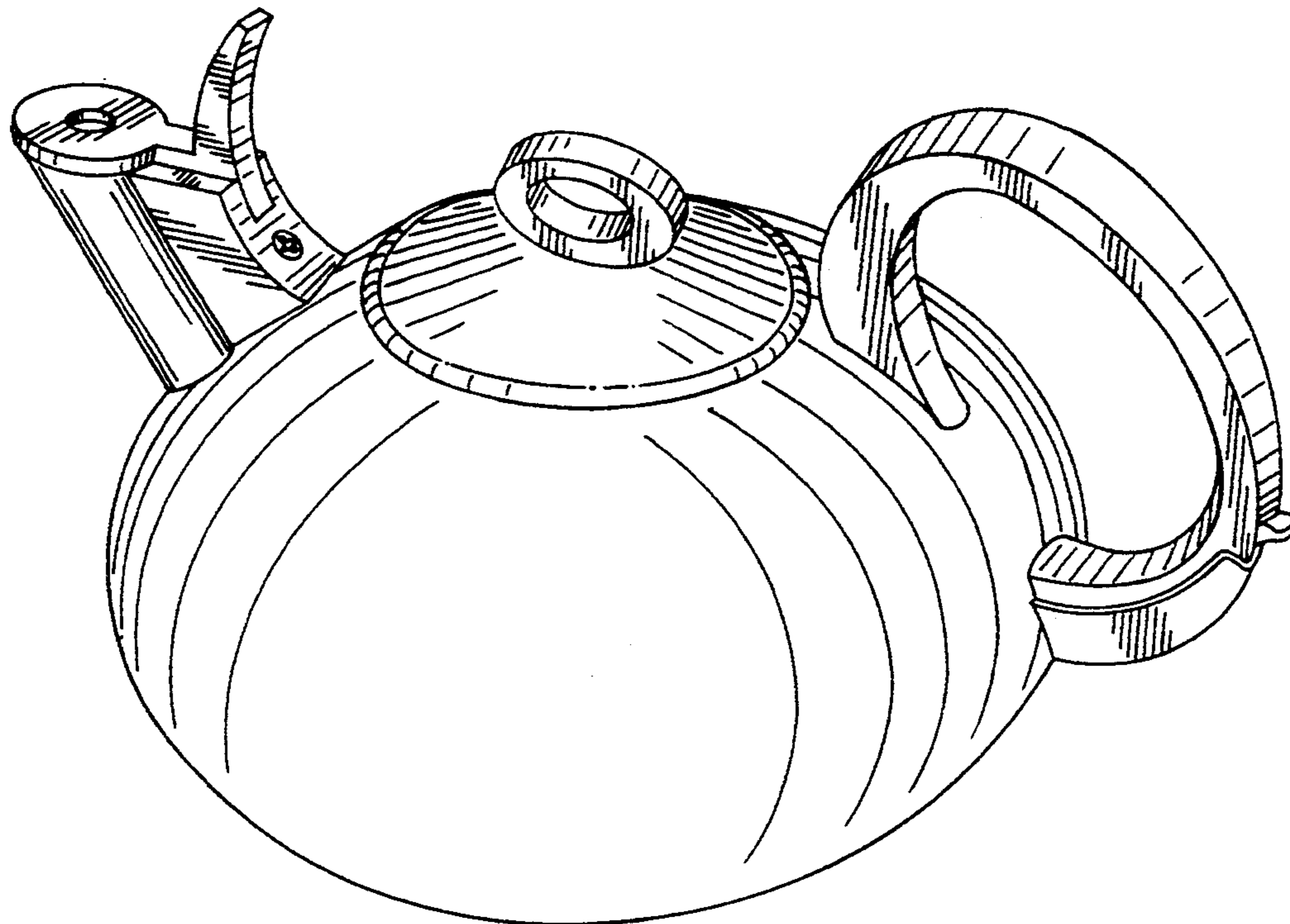


FIG. 1

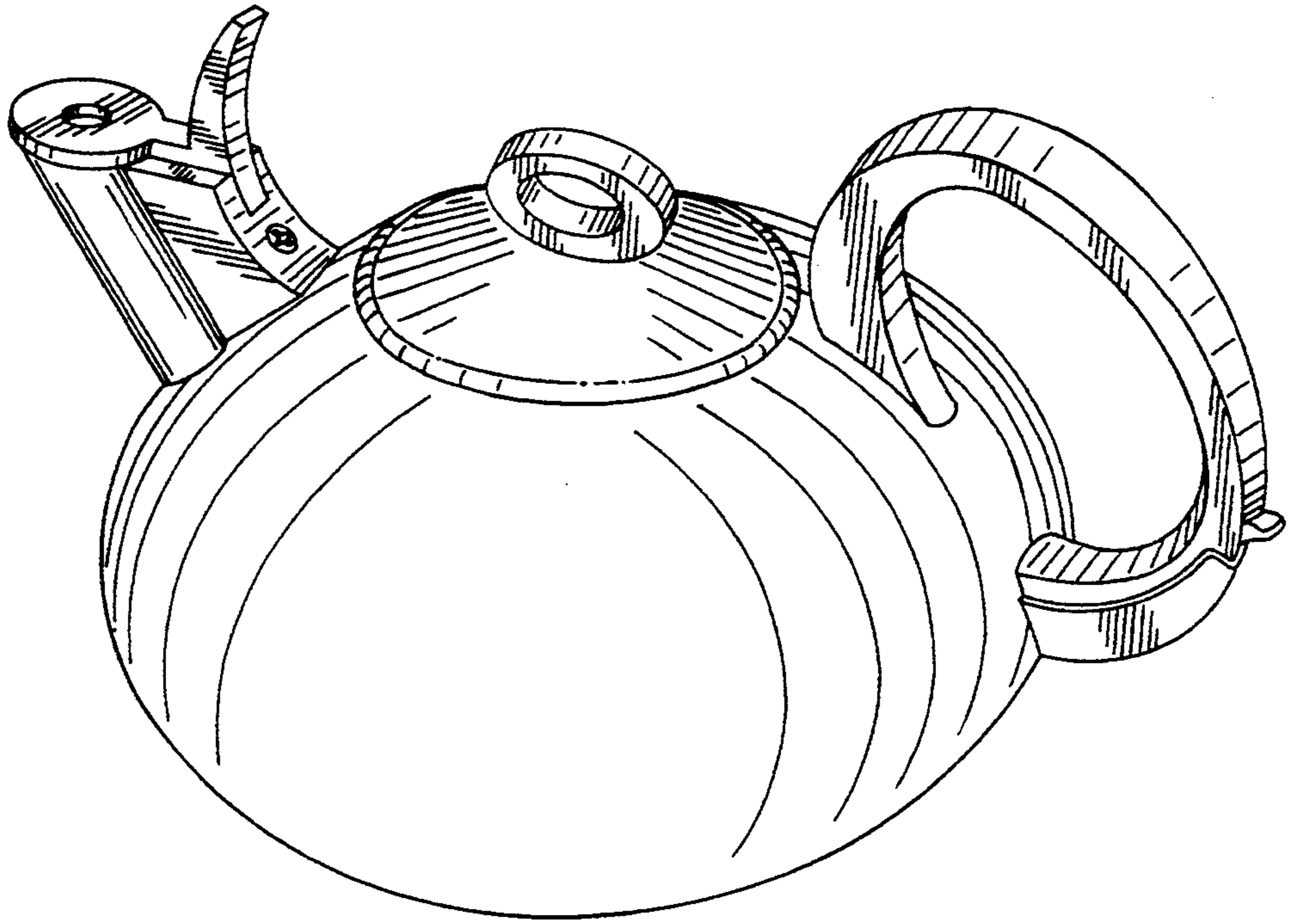


FIG. 2

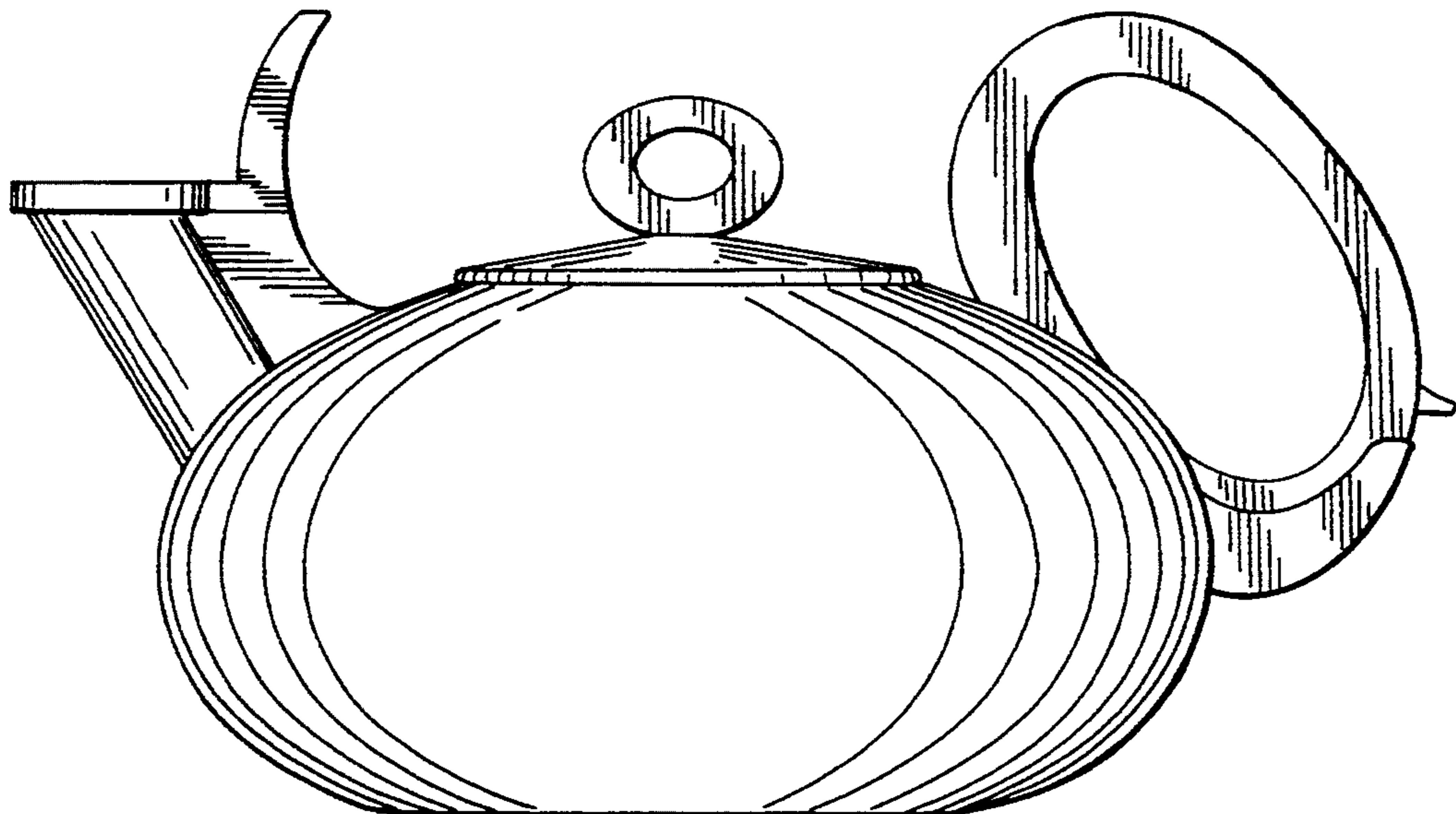


FIG. 3

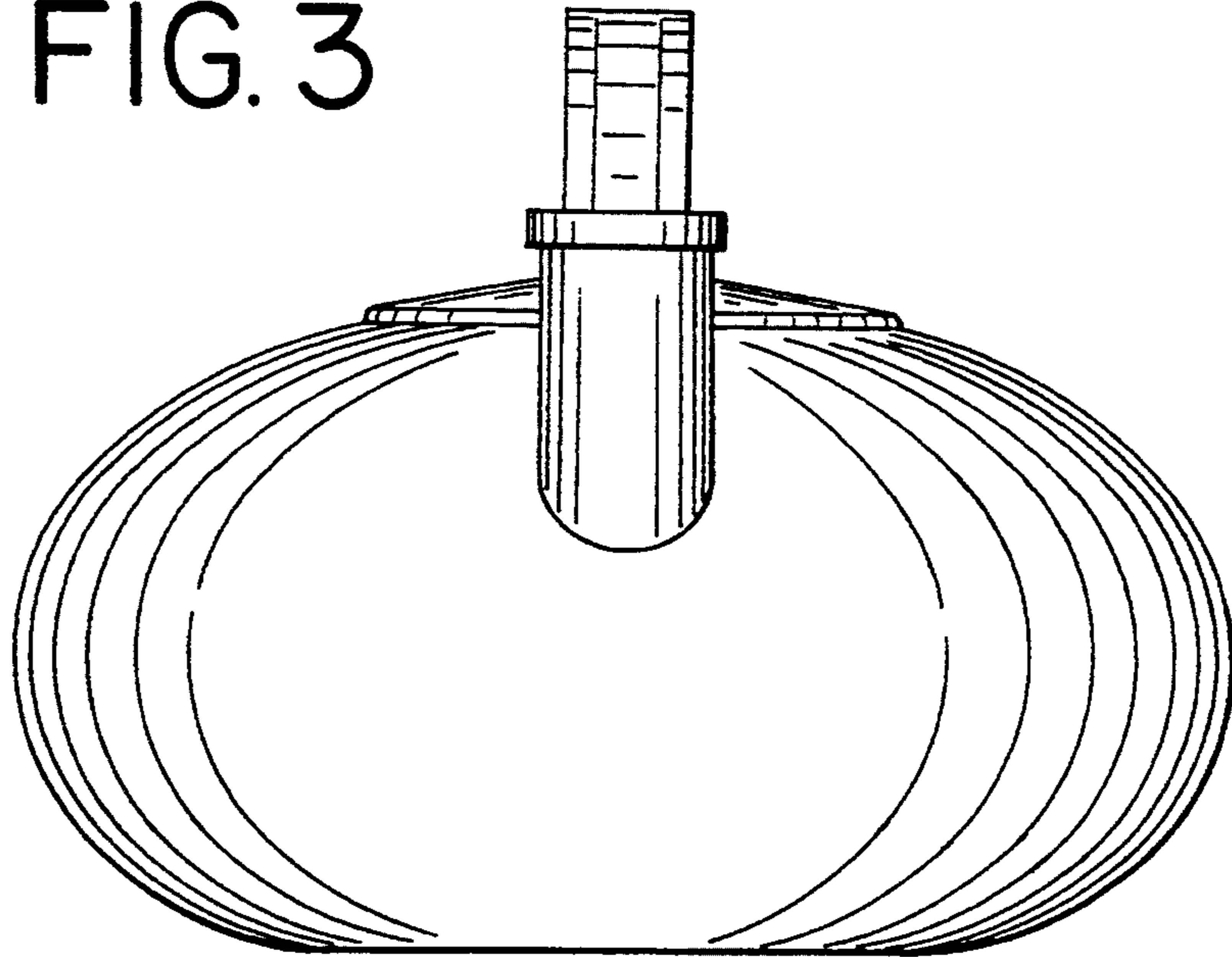


FIG. 4

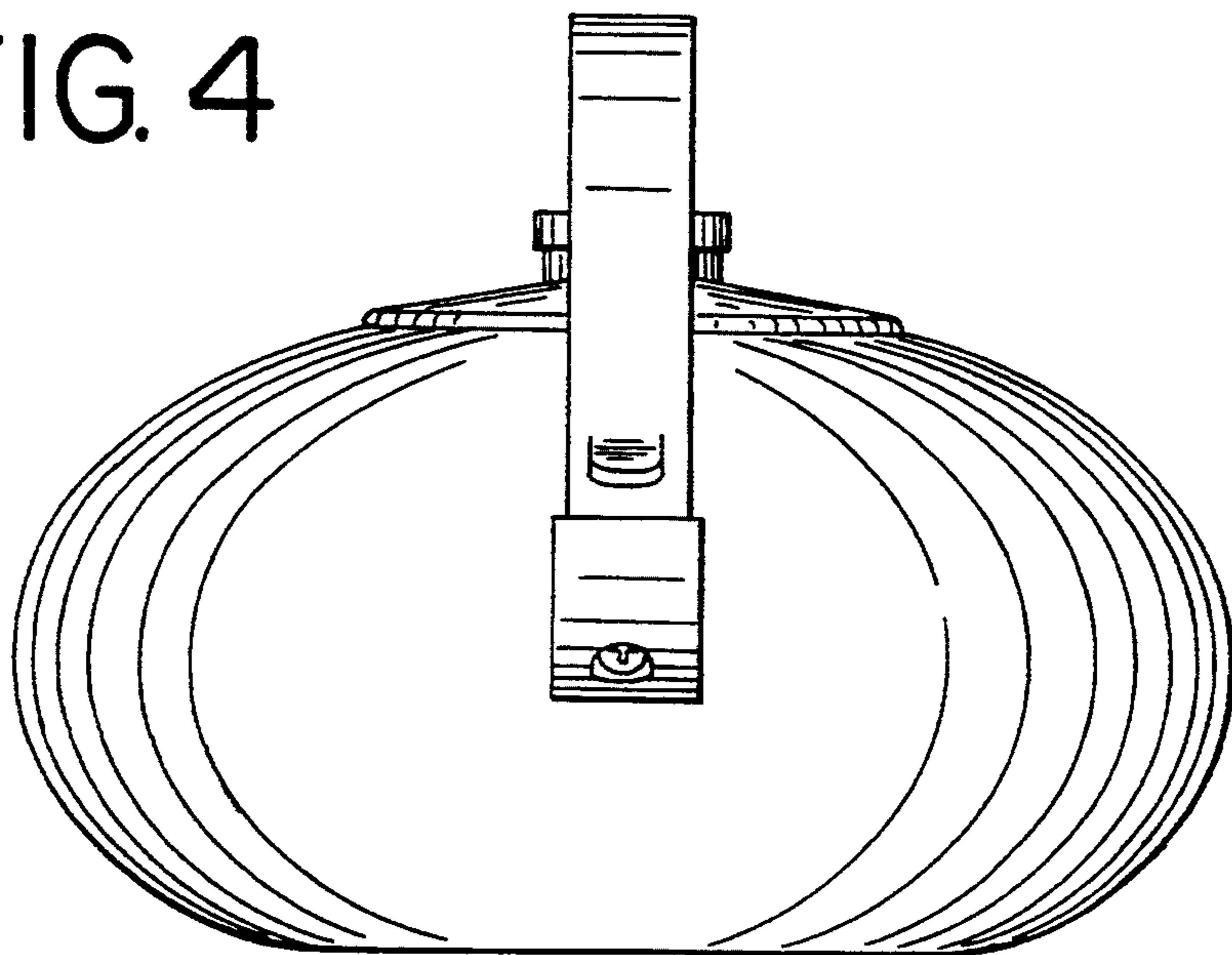


FIG. 5

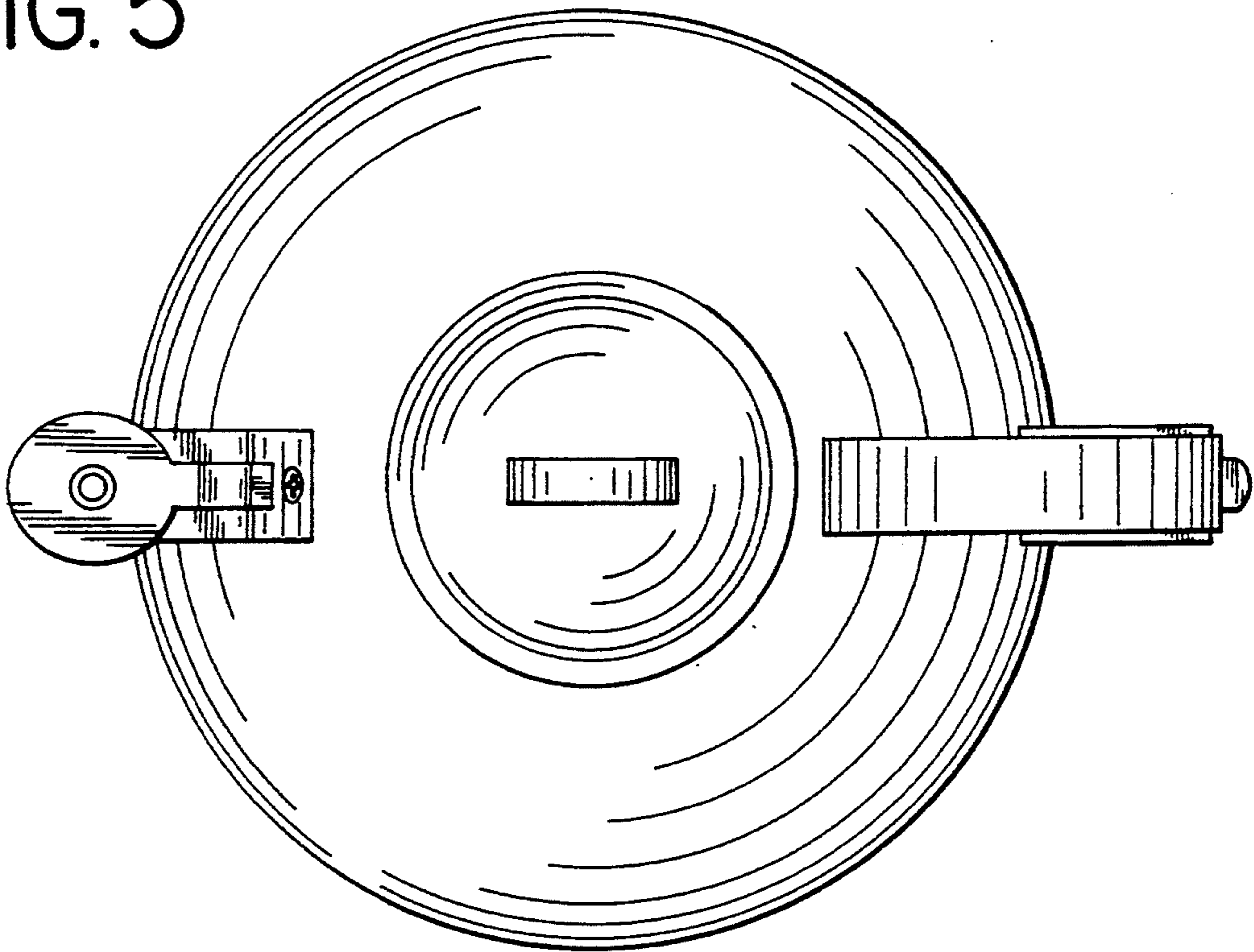


FIG. 6

