



US00D355562S

United States Patent [19]
DeFelip

[11] **Patent Number: Des. 355,562**
[45] **Date of Patent: ** Feb. 21, 1995**

[54] **HOUSEHOLD ESPRESSO COFFEE MAKER MACHINE**

4,644,856 2/1987 Borgmann D7/309 X
4,852,474 8/1989 Mahlich et al. D7/309 X

[75] **Inventor: Aldo DeFelip, Milano, Italy**

Primary Examiner—Alan P. Douglas
Assistant Examiner—M. N. Pandozzi
Attorney, Agent, or Firm—Sughrue, Mion, Zinn,
Macpeak & Seas

[73] **Assignee: Gaggia S.r.l., Modena, Italy**

[**] **Term: 14 Years**

[21] **Appl. No.: 12,258**

[57] **CLAIM**

[22] **Filed: Aug. 27, 1993**

The ornamental design for a household espresso coffee maker machine, as shown and described.

[30] **Foreign Application Priority Data**

DESCRIPTION

Apr. 27, 1993 [XH] Hague Agreement DMA/002135

[52] **U.S. Cl. D7/309; D7/310; D7/311**

[58] **Field of Search D7/300, 305, 309, 310, D7/311, 312; 99/295, 300, 304, 307, 306**

FIG. 1 is a perspective view of a household espresso coffee maker machine and shows my design;

FIG. 2 is a side elevation view of the household espresso coffee maker machine as viewed from the right of FIG. 1;

FIG. 3 is a side elevation view of the household espresso coffee maker machine as viewed from the left of FIG. 1;

FIG. 4 is a front elevation view of the household espresso coffee maker machine;

FIG. 5 is a top plan view of the household espresso coffee maker machine;

FIG. 6 is a bottom plan view of the household espresso coffee maker machine; and,

FIG. 7 is a rear elevation view of the household espresso coffee maker machine.

[56] **References Cited**

U.S. PATENT DOCUMENTS

- D. 298,402 11/1988 Seiffert D7/310 X
- D. 323,949 2/1992 Kahlcke D7/309
- D. 336,206 6/1993 Littmann D7/311
- D. 337,475 7/1993 Seiffert D7/311
- D. 339,499 9/1993 Seiffert D7/309
- D. 342,860 1/1994 Azpiri D7/311 X
- D. 344,206 2/1994 Azpiri D7/310 X
- D. 345,279 3/1994 Sieger D7/310 X

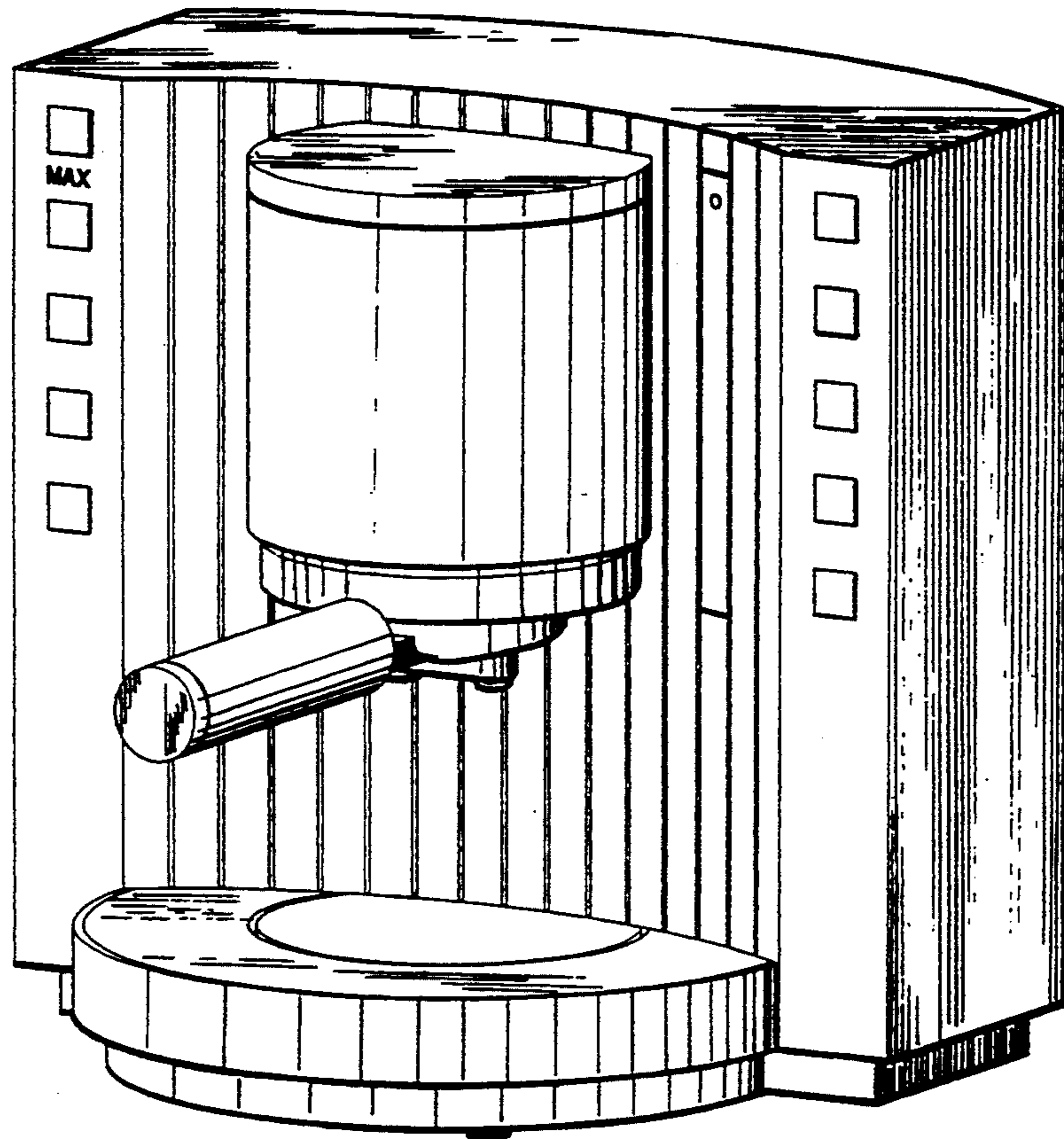


FIG. 1

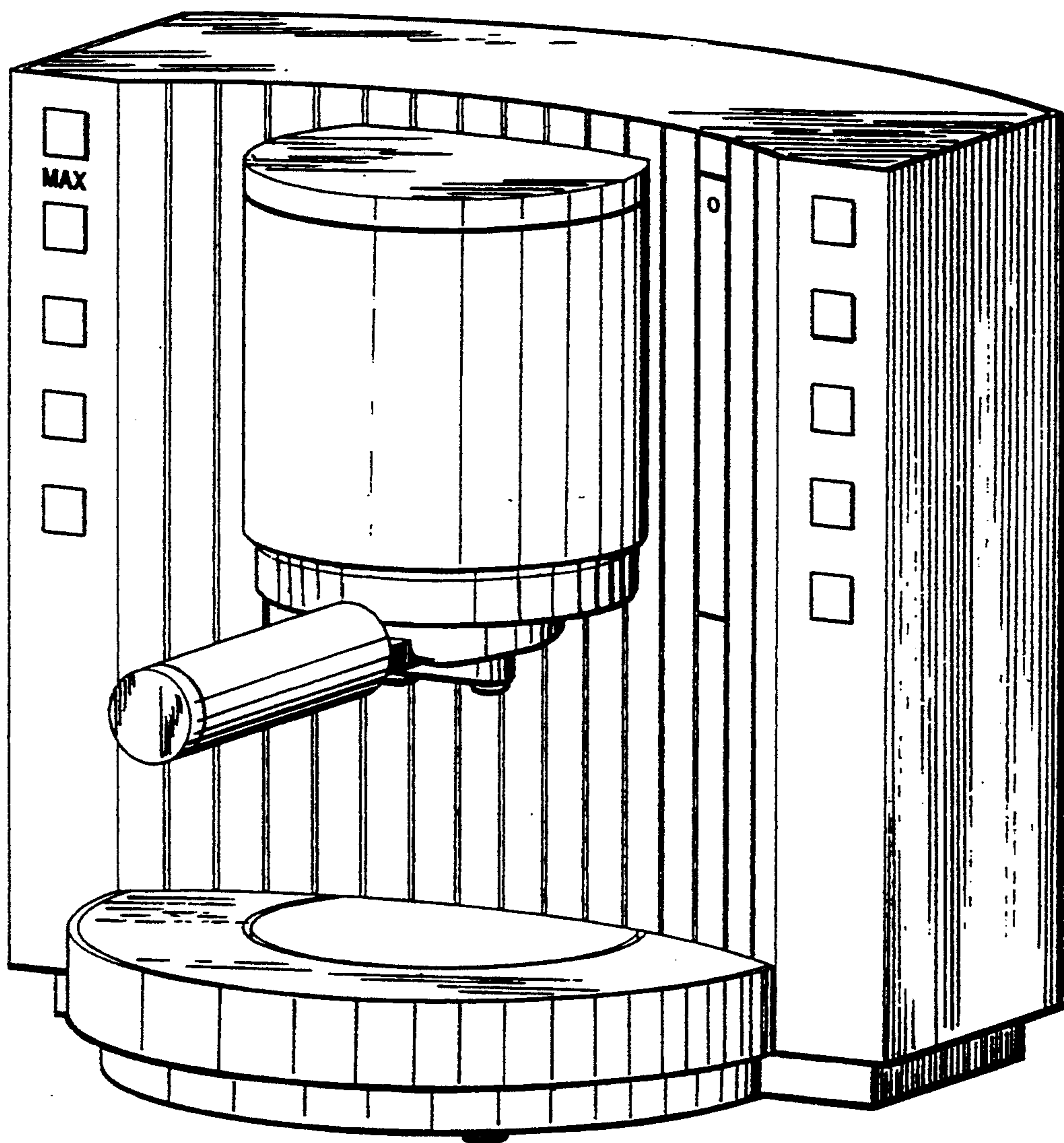


FIG. 2

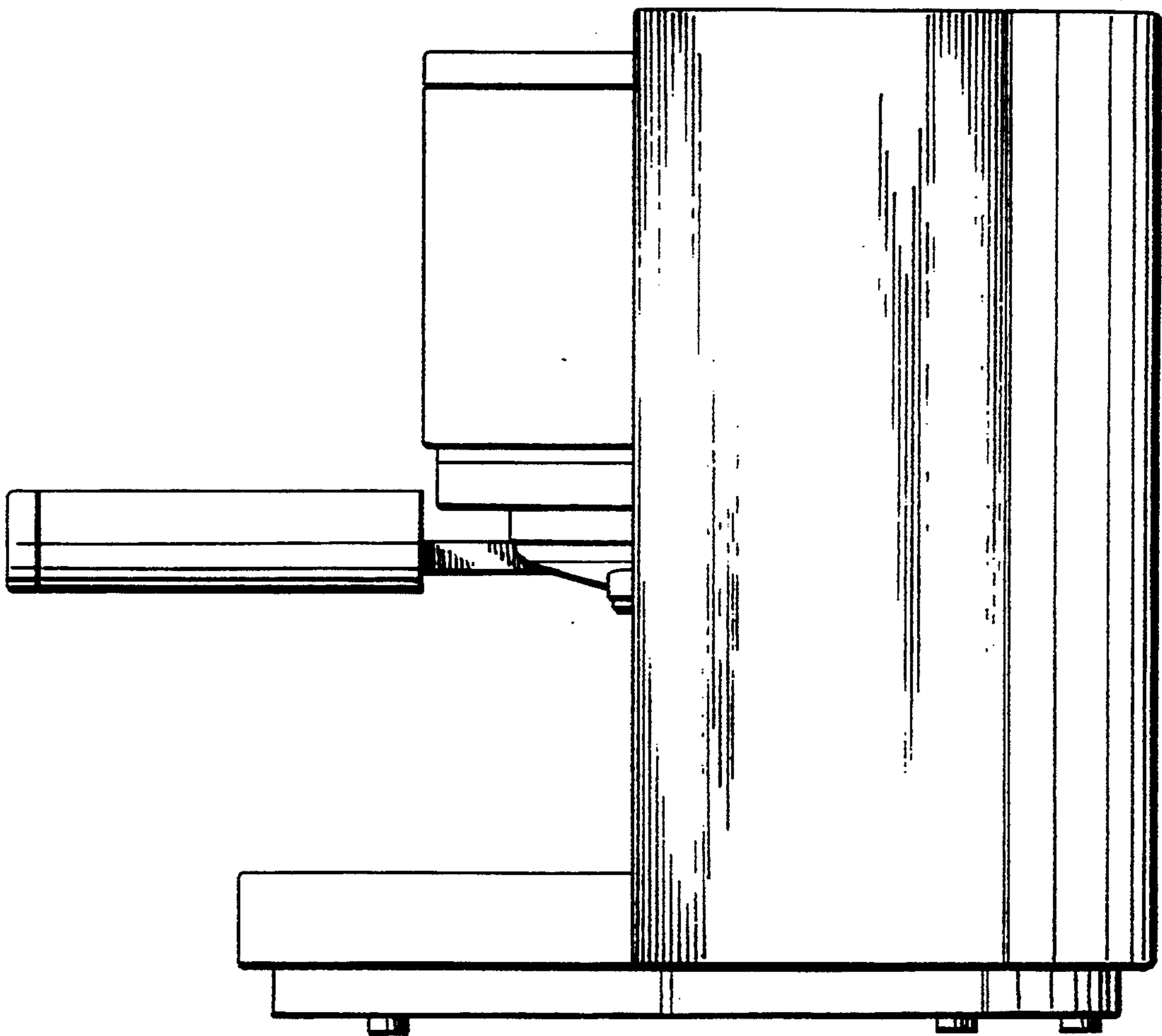


FIG. 3

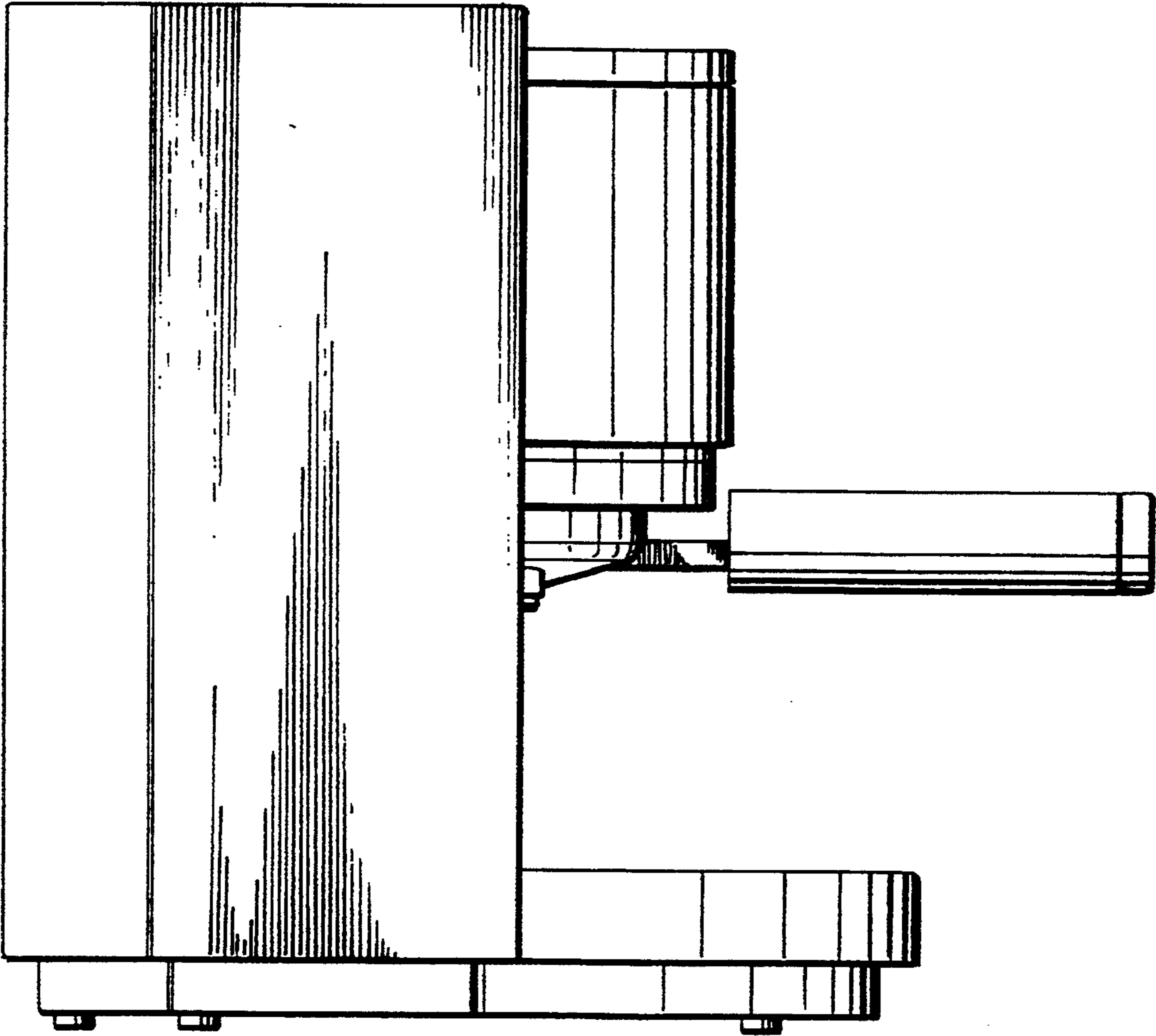


FIG. 4

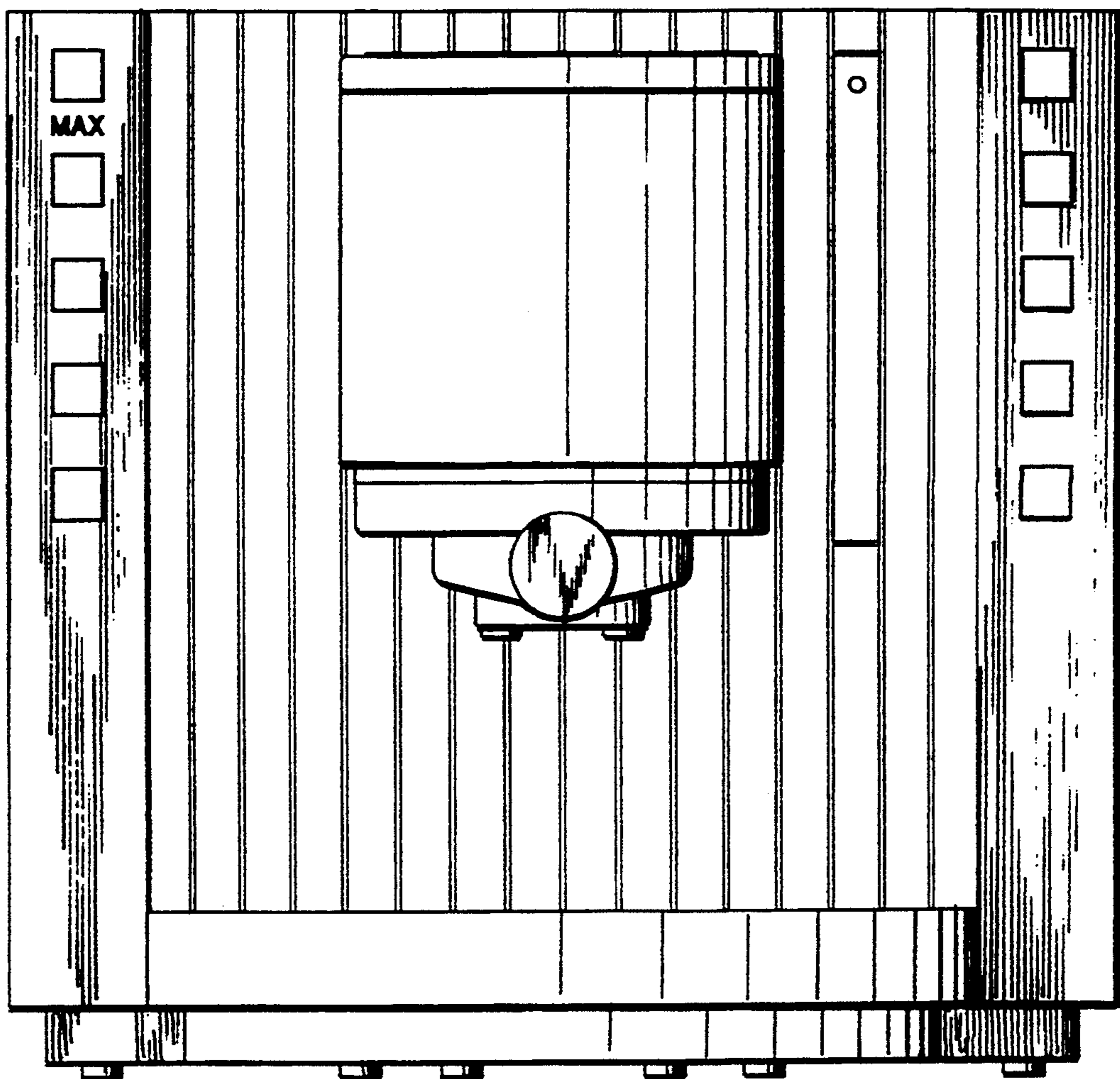


FIG. 5

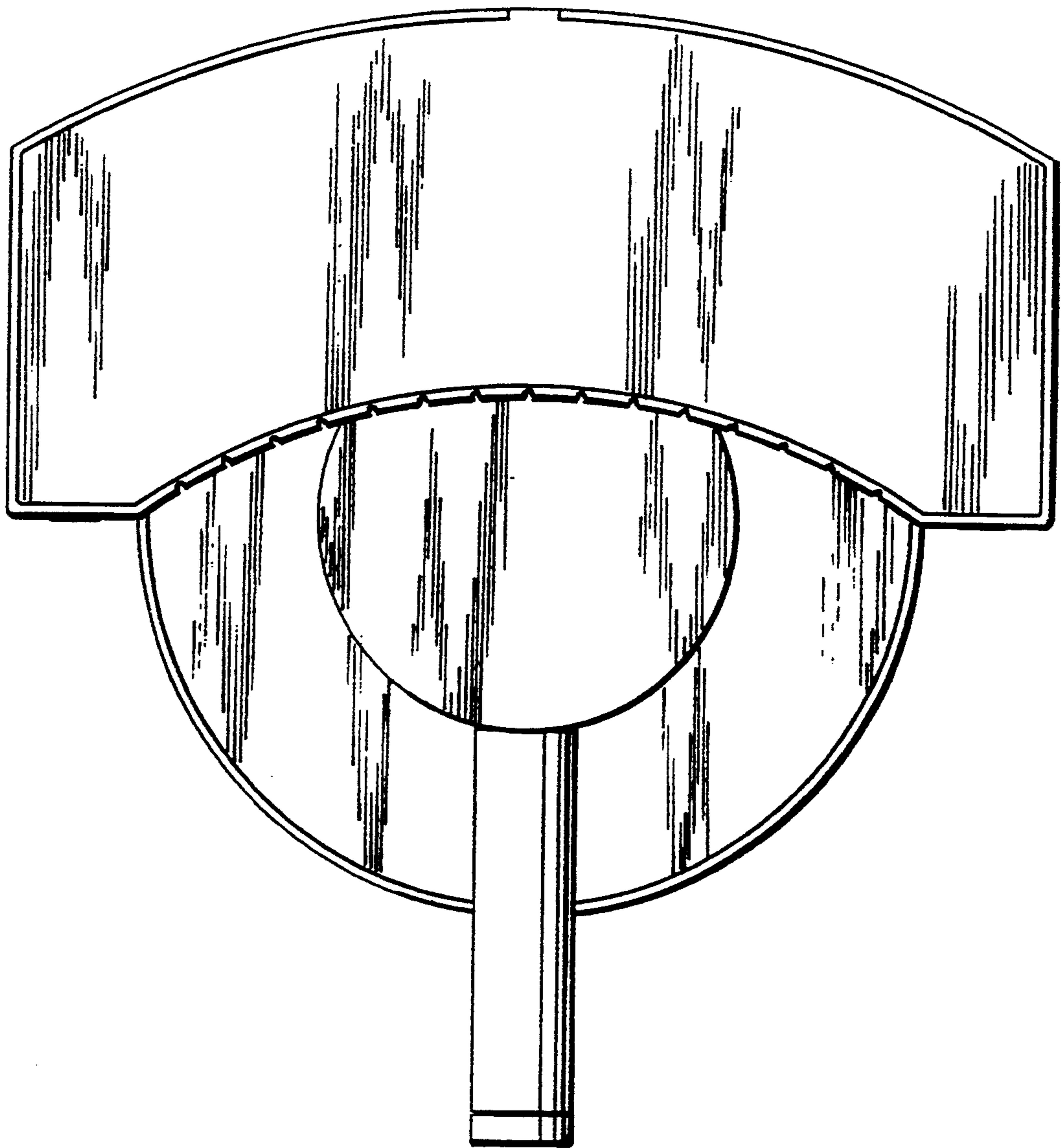


FIG. 6

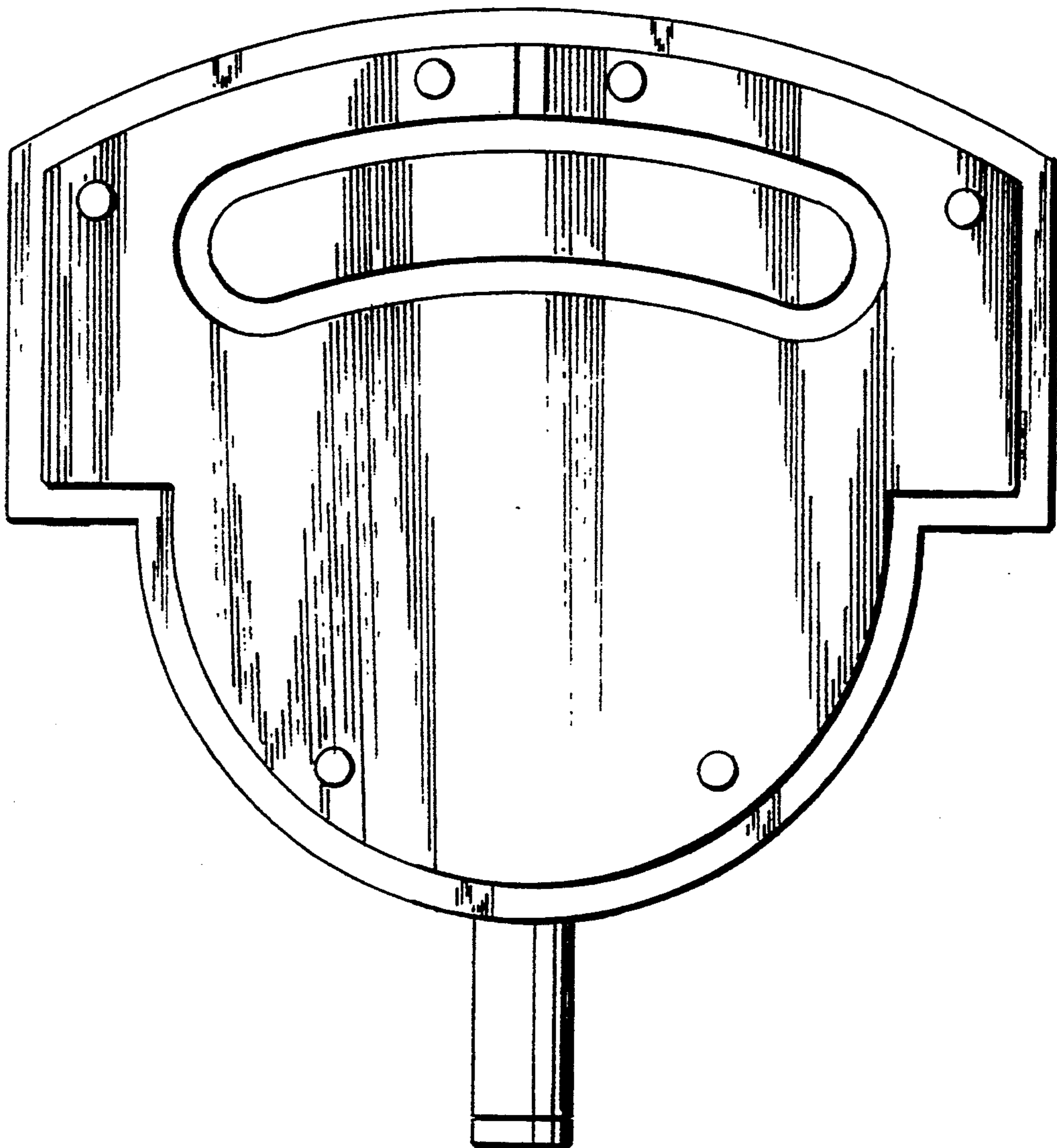


FIG. 7

