



US00D355560S

United States Patent [19]

[11] Patent Number: **Des. 355,560**

Assmann

[45] Date of Patent: **** Feb. 21, 1995**

[54] **ESPRESSO MACHINE WITH ANGULAR BODY**

[76] Inventor: **Jürgen Assmann**, Heimstrasse 14a, 4300 Essen 14, Germany

[**] Term: **14 Years**

[21] Appl. No.: **1,673**

[22] Filed: **Nov. 20, 1992**

[30] Foreign Application Priority Data

May 22, 1992 [DE] Germany M 92 03 832.8

[52] U.S. Cl. **D7/309; D7/310; D7/311**

[58] Field of Search **D7/305, 306, 307, 309, D7/310, 300, 311, 308; 99/275, 279, 295**

[56] References Cited

U.S. PATENT DOCUMENTS

- D. 286,127 10/1986 Sastre D7/309
- D. 319,167 8/1991 Adams et al. D7/309
- D. 328,218 7/1992 Pearce D7/300 X
- D. 331,247 12/1992 Dingelstad et al. D7/310 X
- D. 338,365 8/1993 Meelen et al. D7/309
- D. 339,263 9/1993 McCloskey D7/310 X
- D. 339,953 10/1993 Bunn et al. D7/310 X
- 4,895,308 1/1990 Tanaka D7/305 X

OTHER PUBLICATIONS

Robut 11 coupe, HFD-Retailing Home Furnishings May 4, 1981, p. 26.

Primary Examiner—Nelson C. Holtje
Assistant Examiner—M. N. Pandozzi
Attorney, Agent, or Firm—Sixbey, Friedman, Leedom & Ferguson; David S. Safran

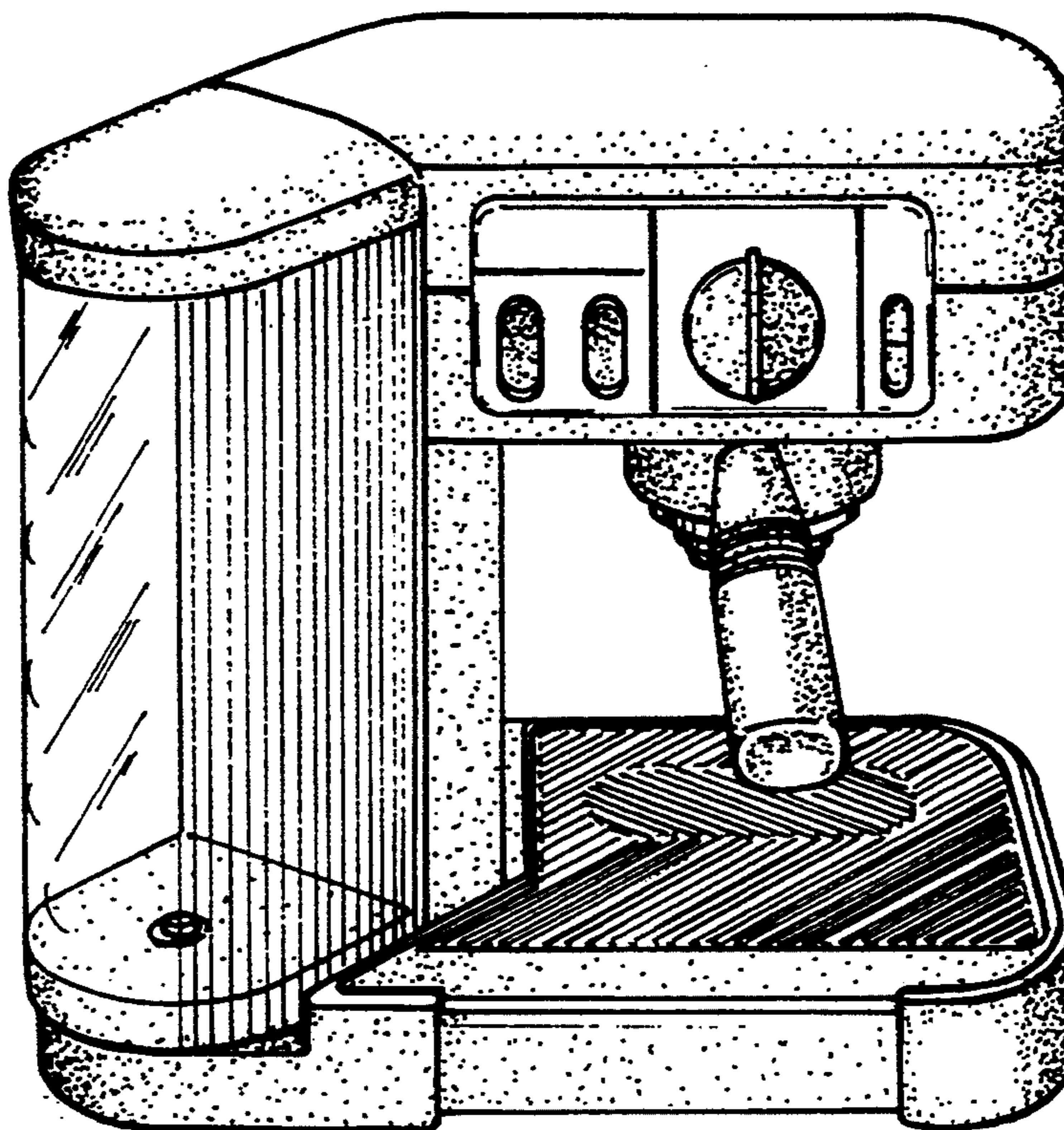
[57] CLAIM

The ornamental design of an espresso machine with an angular body, as shown and described.

DESCRIPTION

FIG. 1 is a frontal perspective view showing the new design of the present invention;
 FIG. 2 is a rear perspective view showing the new design of the present invention;
 FIG. 3 is a side perspective view showing the new design of the present invention from the right side relative to the view of FIG. 1;
 FIG. 4 is a side perspective view showing the new design of the present invention from the left side relative to the view of FIG. 1;
 FIG. 5 is a top perspective view showing the new design of the present invention;
 FIG. 6 is a front elevational view thereof, with handle removed for ease of illustration;
 FIG. 7 is a rear perspective view showing a second embodiment of our new design;
 FIG. 8 is a front perspective view thereof;
 FIG. 9 is a right side perspective view thereof;
 FIG. 10 is a left side perspective view thereof;
 FIG. 11 is a top plan view thereof; and,
 FIG. 12 is a front elevational view thereof.

The bottom plan view of both embodiments is plain and unornamented.



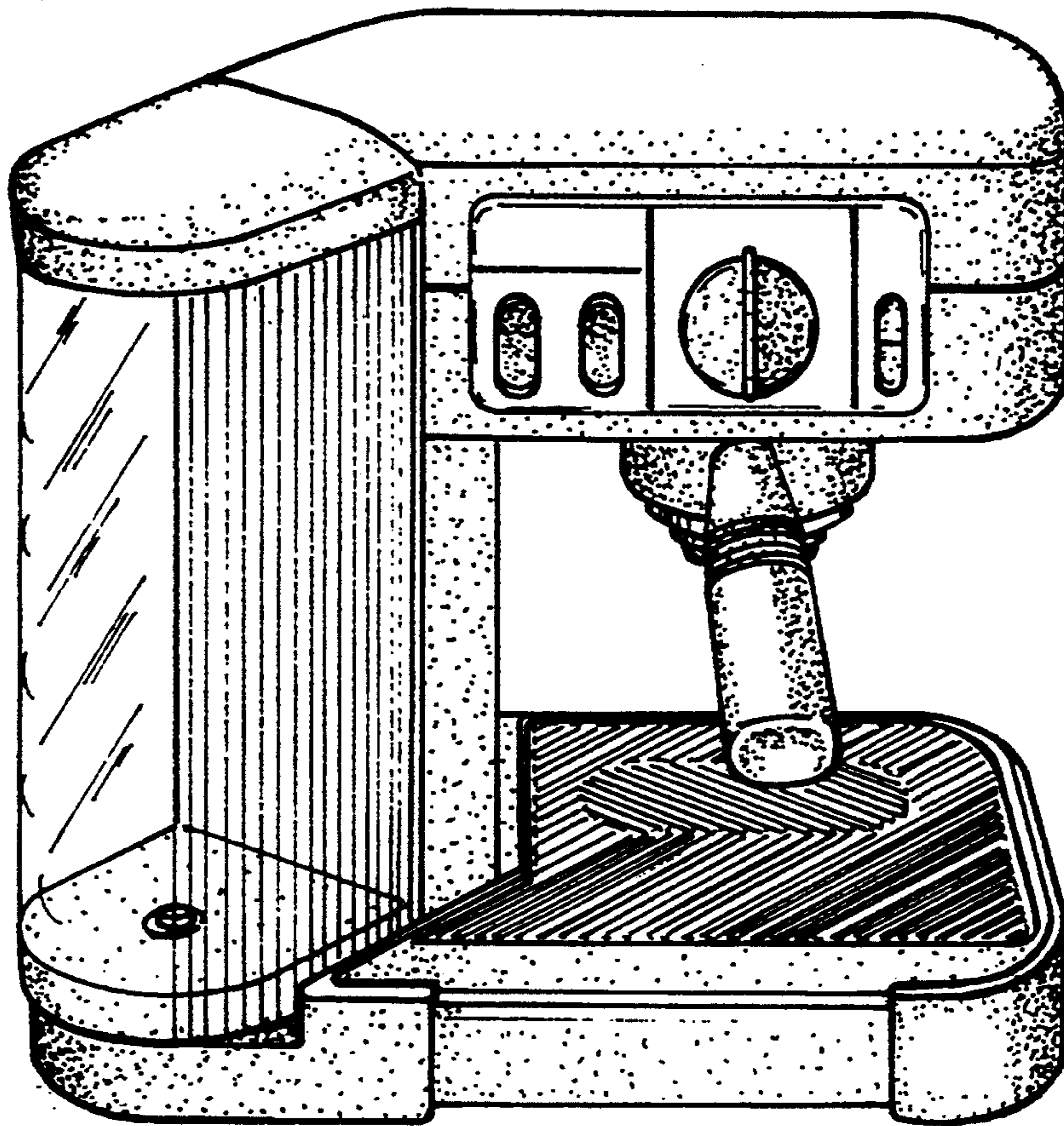


FIG. 1

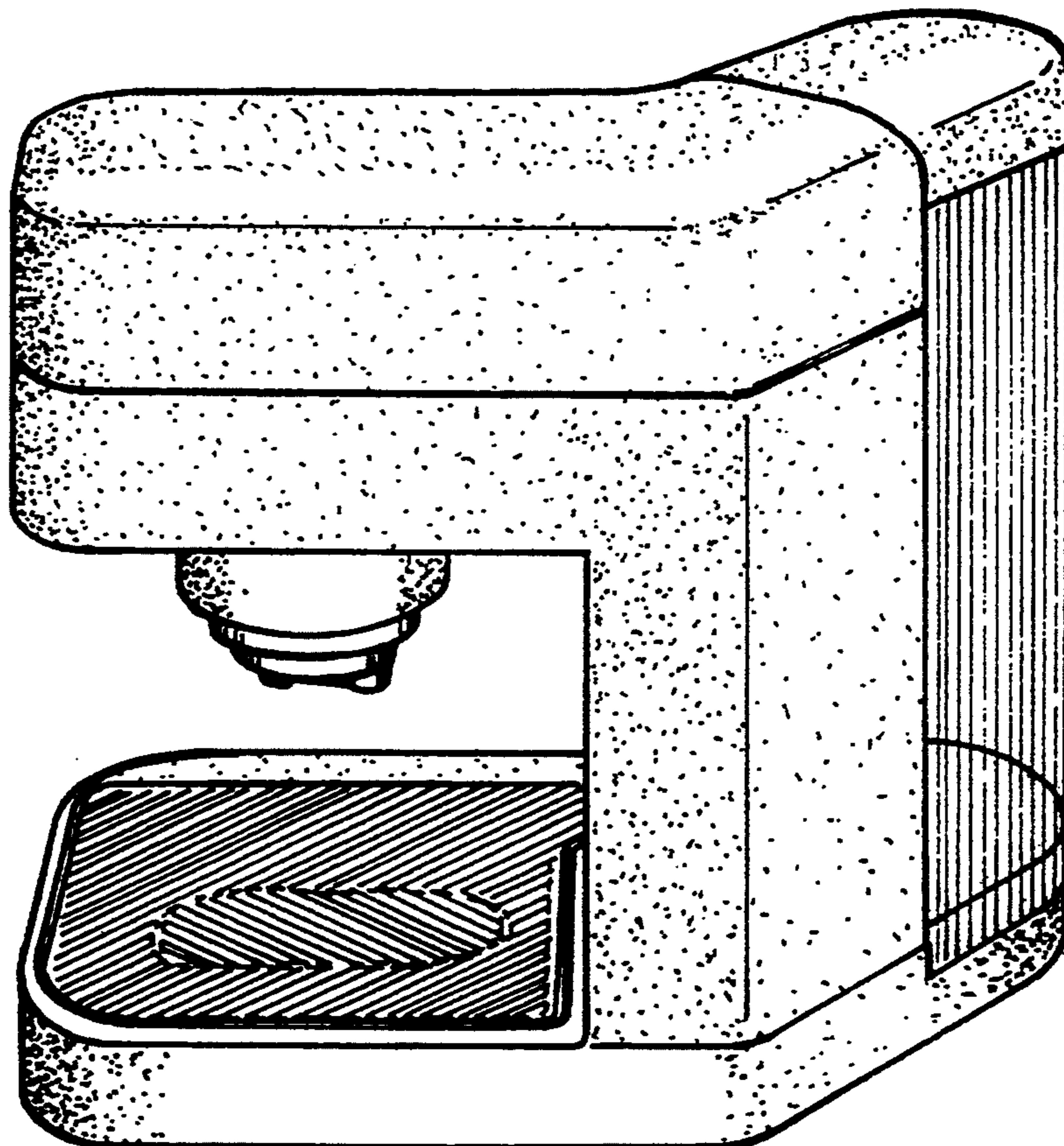


FIG. 2

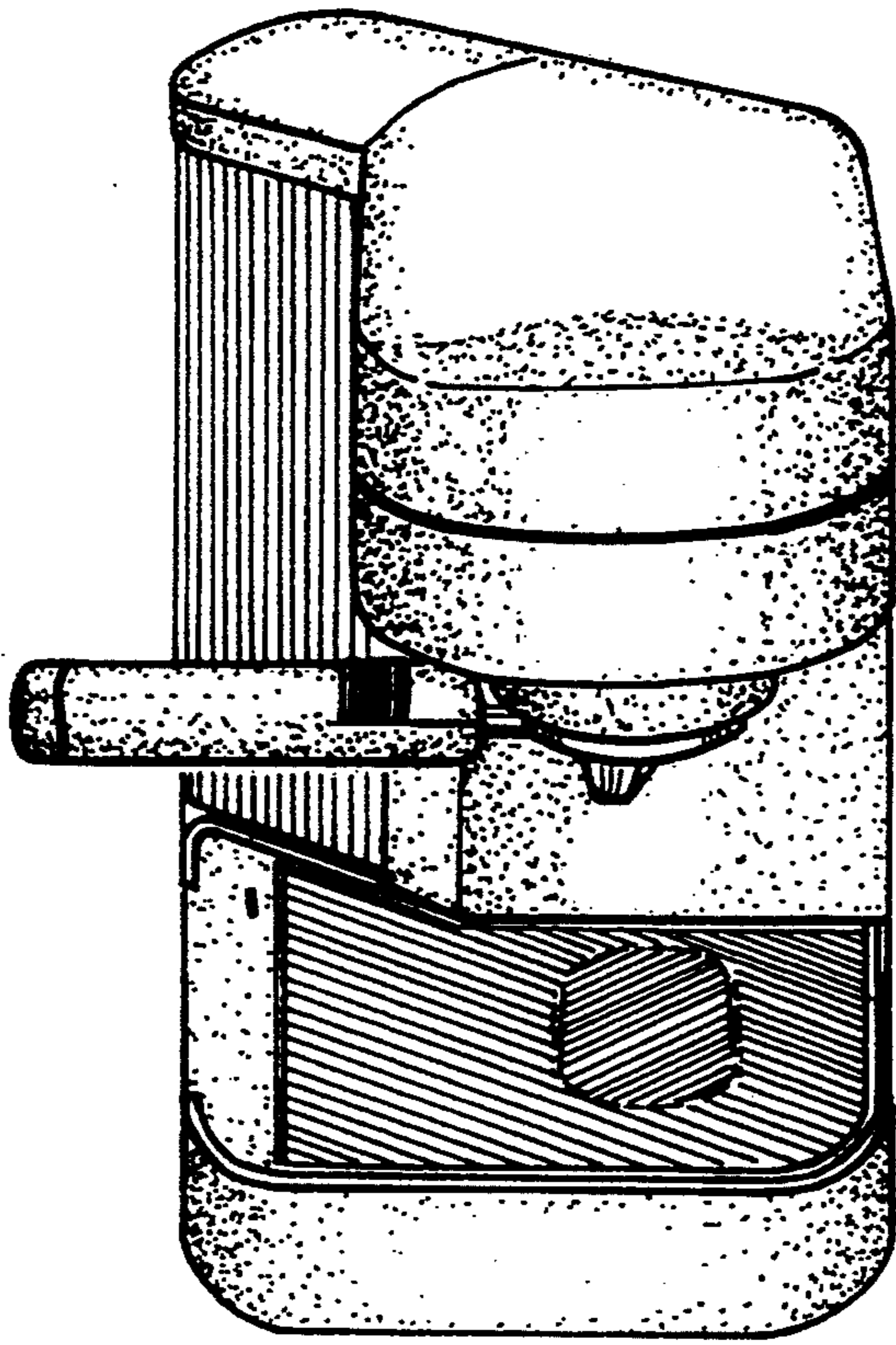


FIG. 3

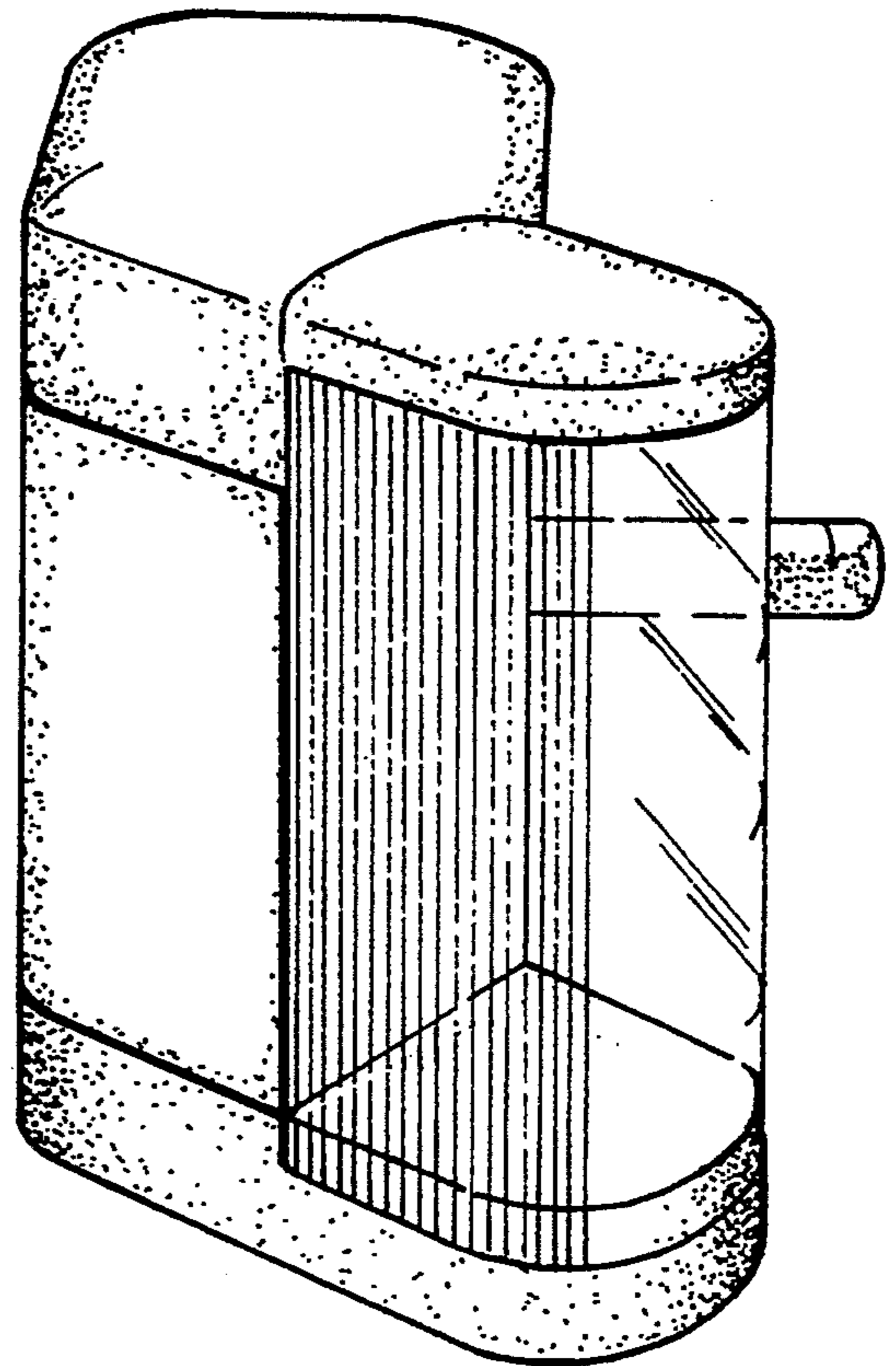


FIG. 4

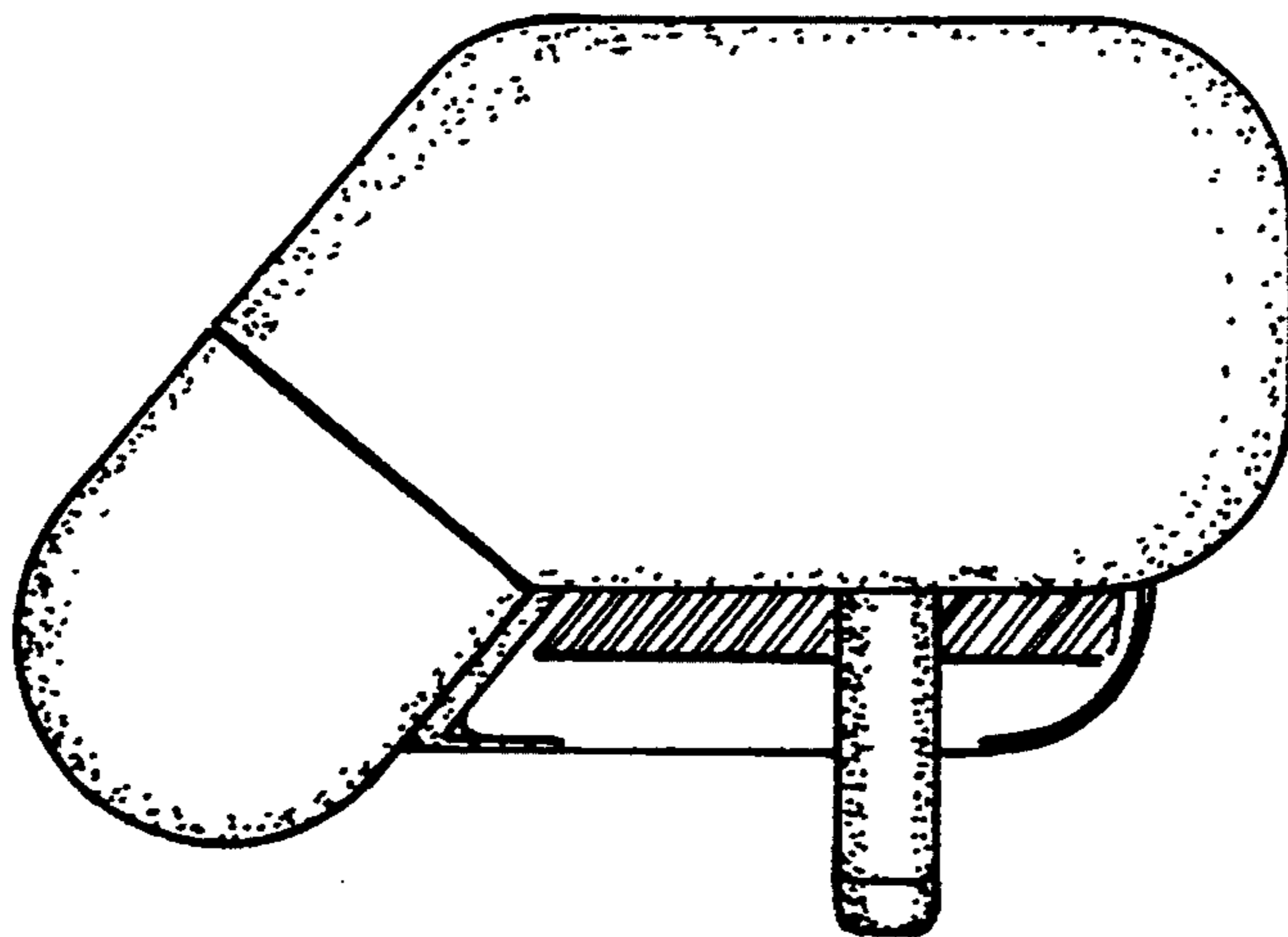


FIG. 5

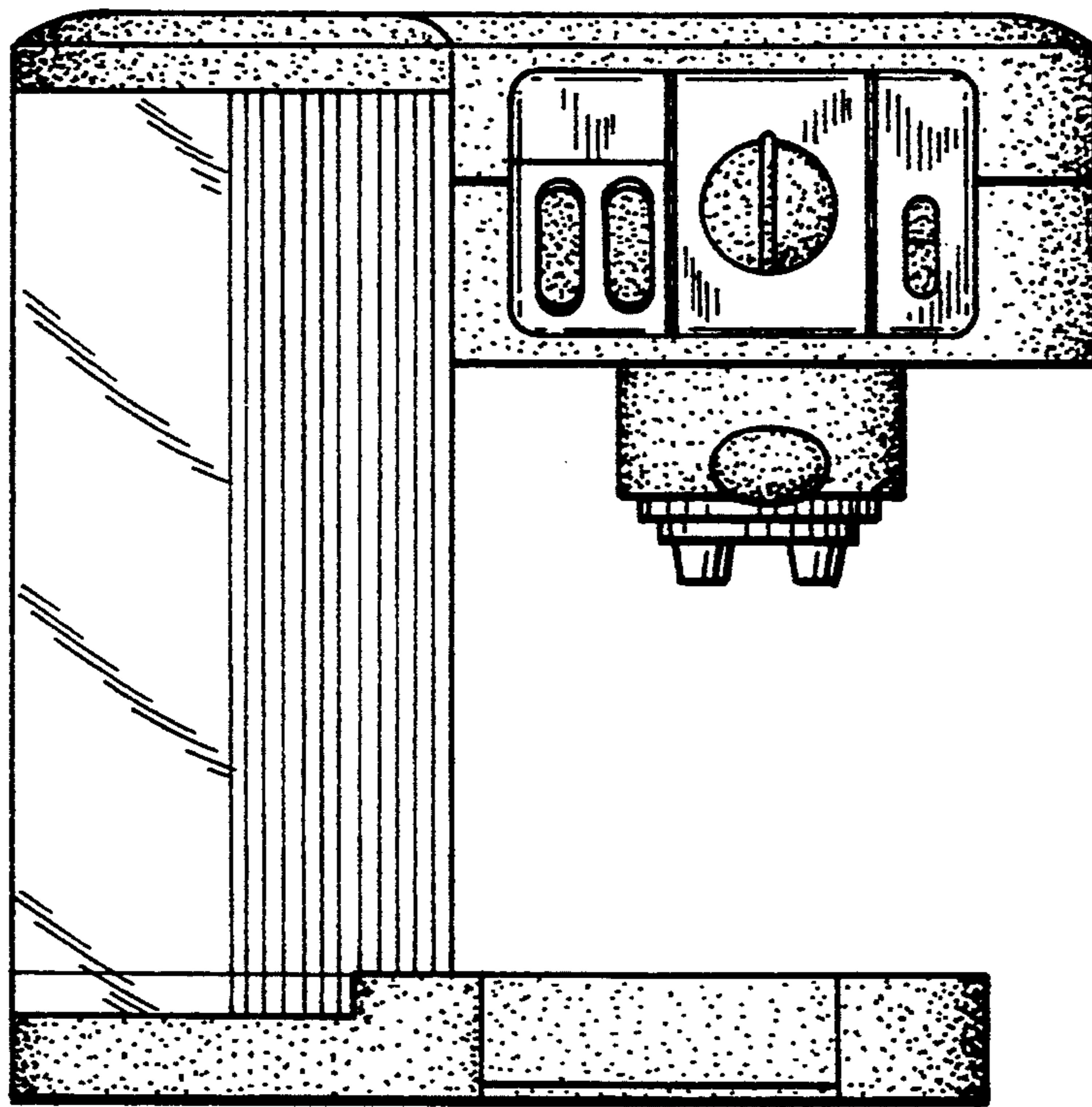


FIG. 6

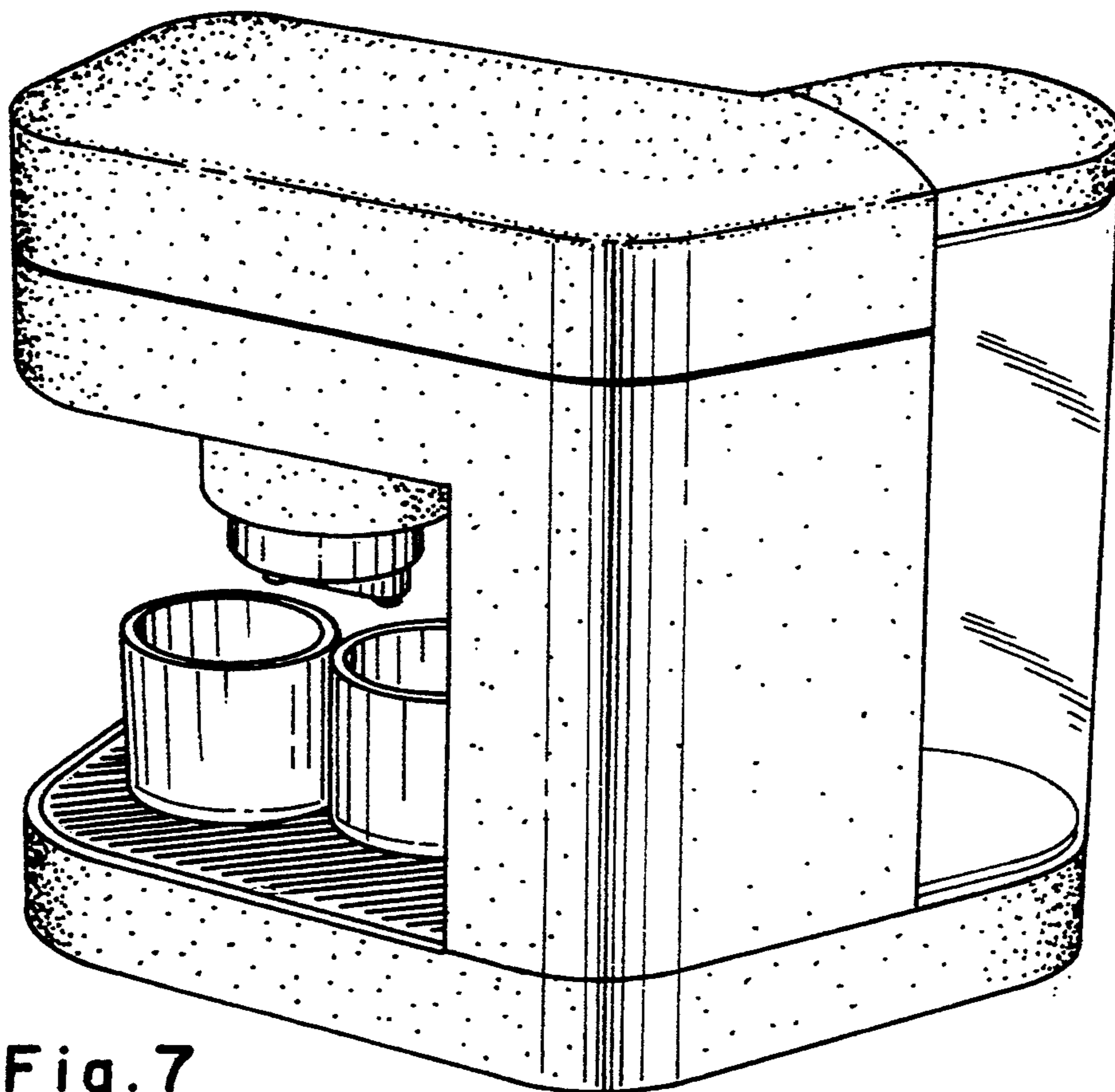


Fig. 7

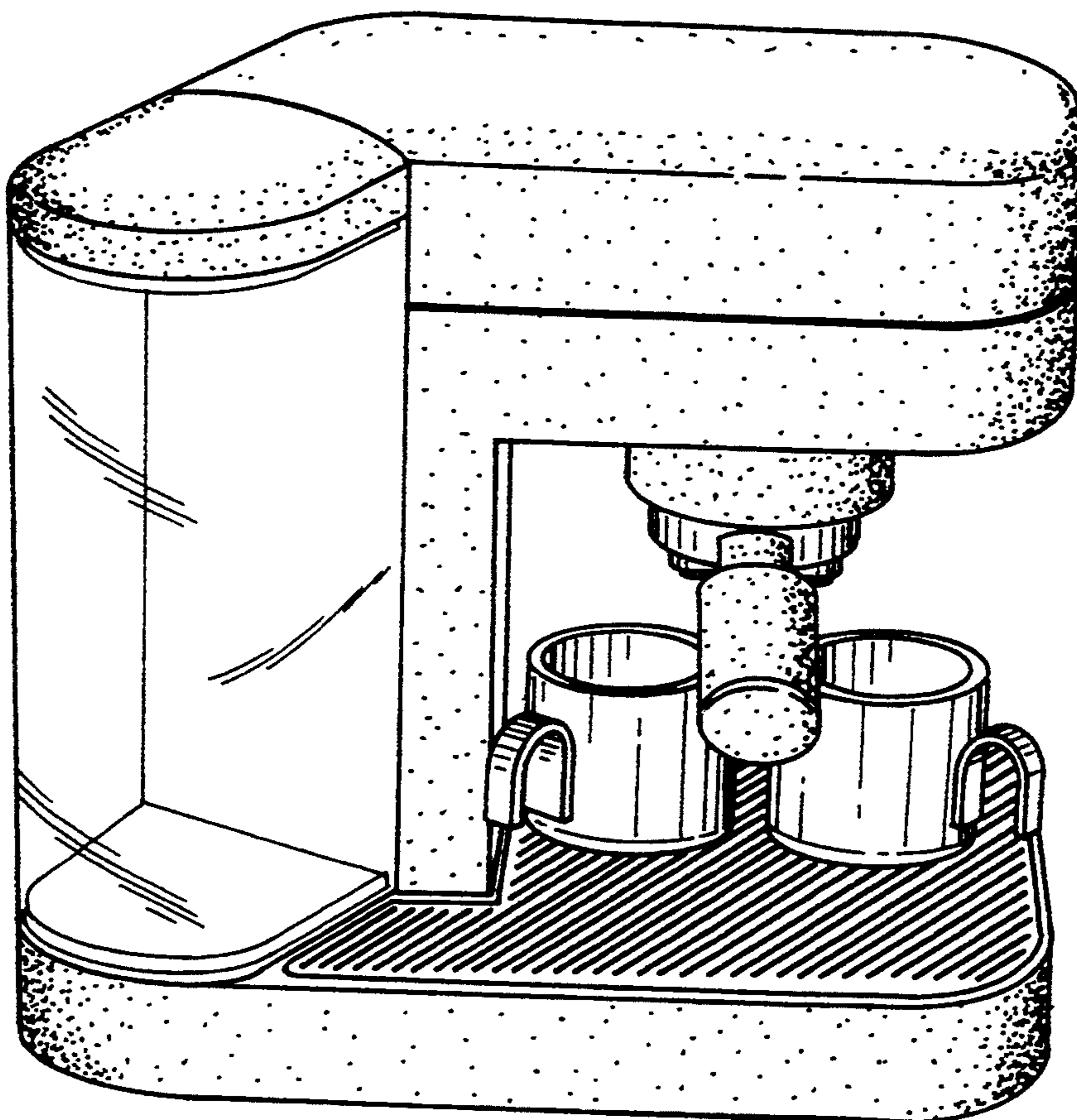


Fig. 8

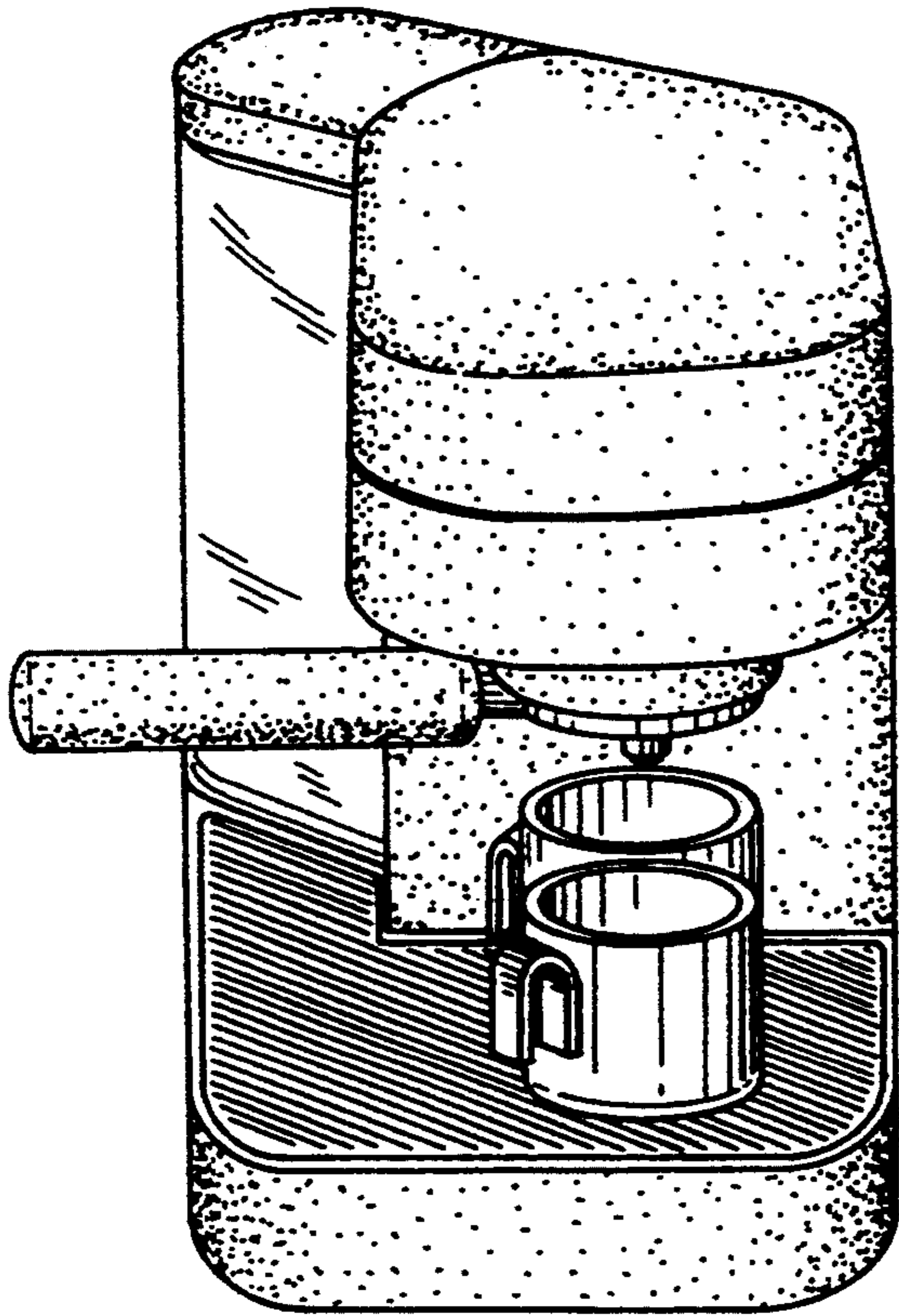


Fig. 9

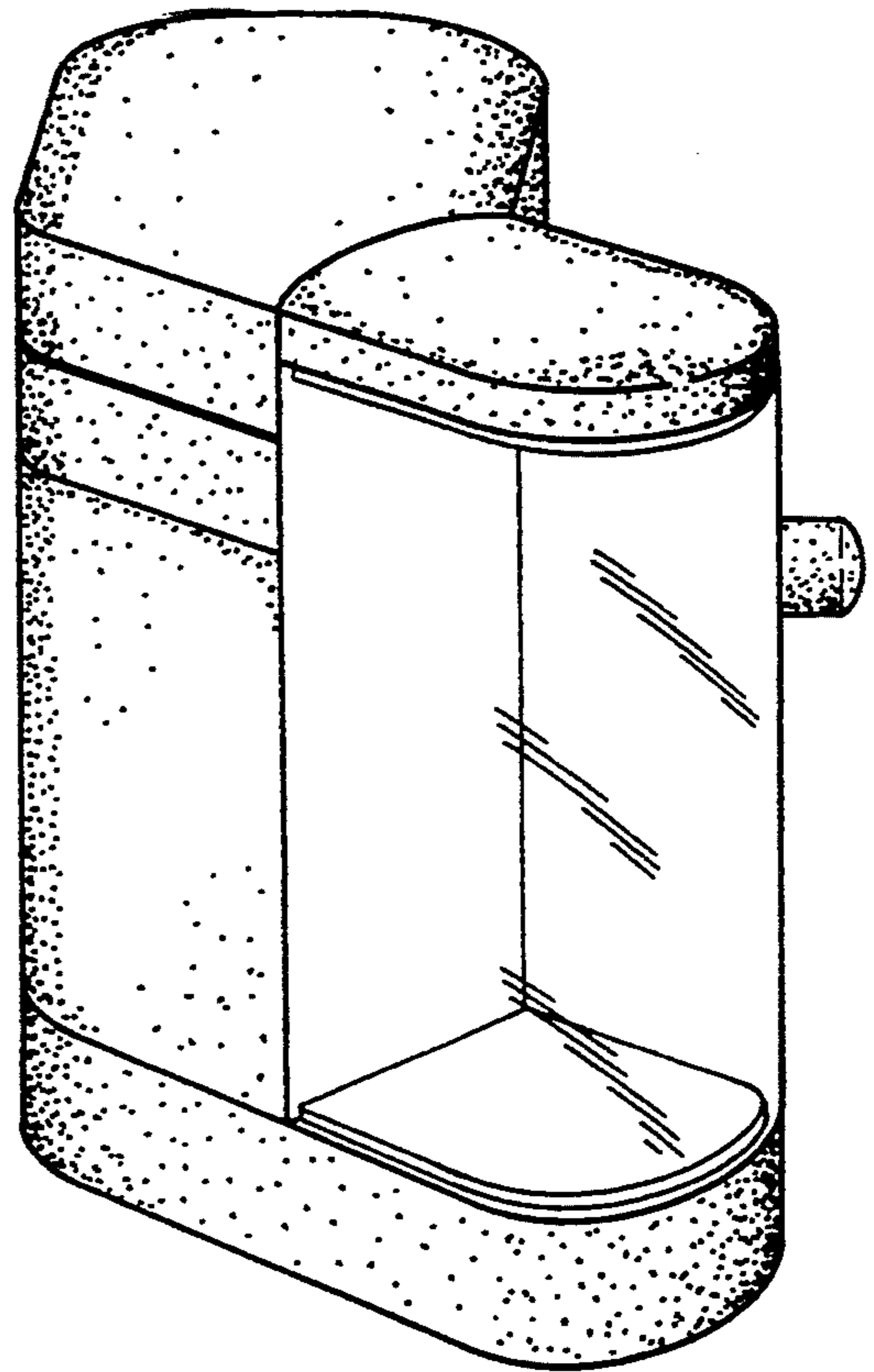


Fig. 10

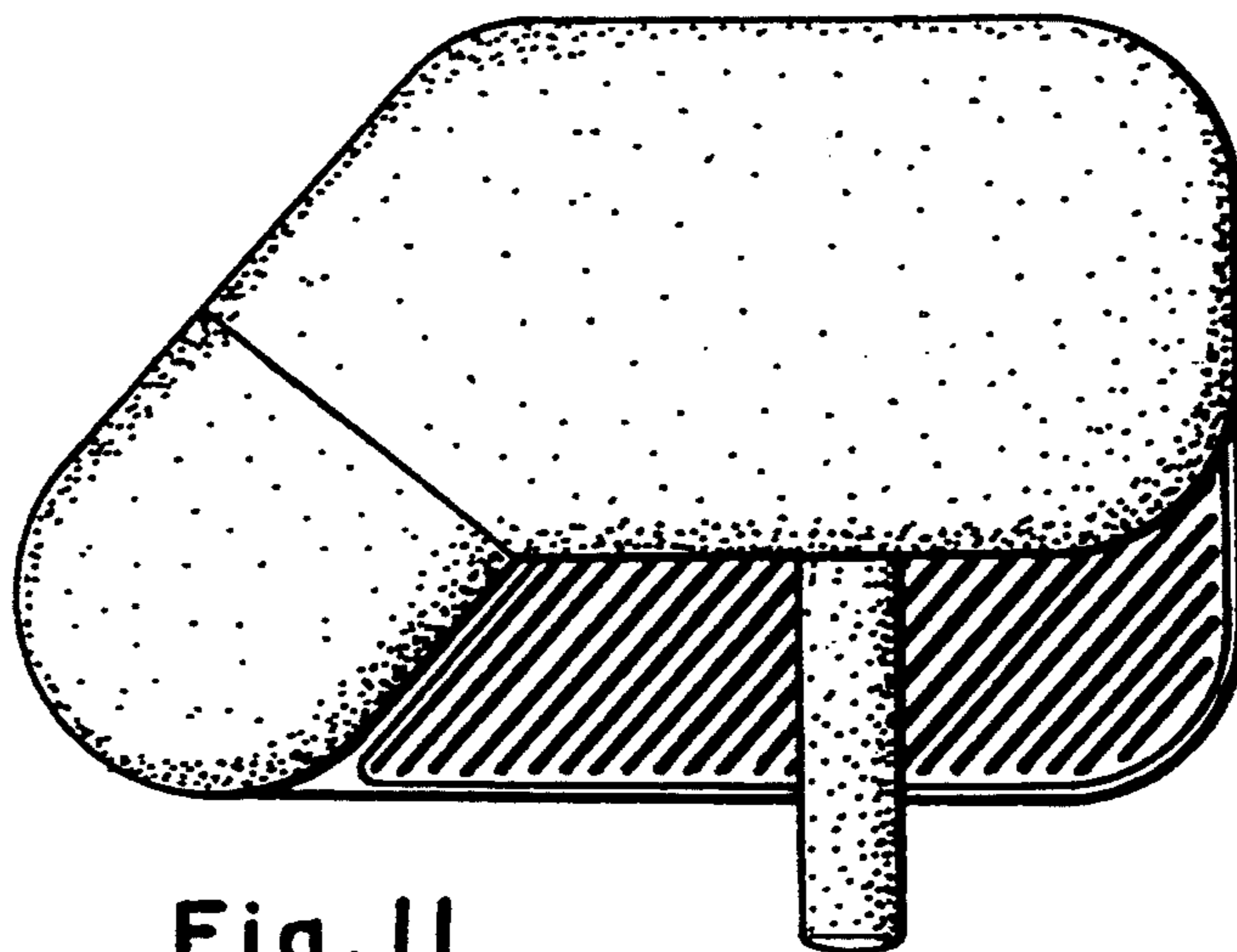


Fig. 11

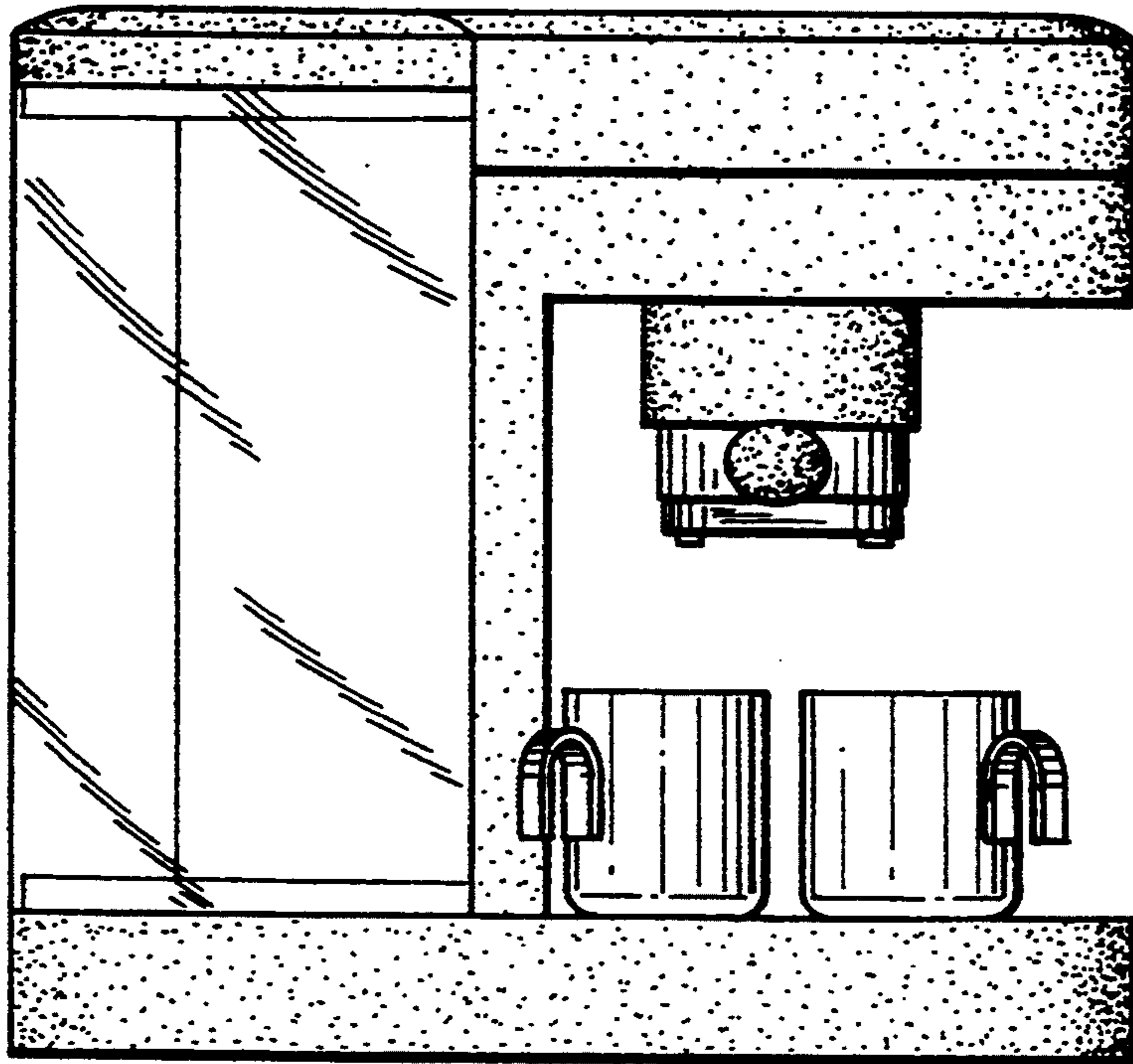


FIG. 12