



US00D35553S

# United States Patent [19]

[11] Patent Number: **Des. 355,553**

**Tiramani**

[45] Date of Patent: **\*\* Feb. 21, 1995**

## [54] COMBINATION PORTABLE BATH ORGANIZER AND TRAY INSERT

[76] Inventor: **Paolo Tiramani**, 461 Taconic Rd., Greenwich, Conn. 06831

[\*\*] Term: **14 Years**

[21] Appl. No.: **11,332**

[22] Filed: **Aug. 2, 1993**

[52] U.S. Cl. .... **D6/525**

[58] Field of Search ..... **D6/524-525;**  
**D28/73; D22/136; D9/549; D32/53; D3/901,**  
**304, 307, 308, 310, 313, 315; 206/207, 210, 216,**  
**223, 570, 581, 349, 557, 804, 823**

## [56] References Cited

### U.S. PATENT DOCUMENTS

- D. 281,929 12/1985 Strobel et al. .... D3/308
- D. 322,731 12/1991 Willie ..... D6/524
- D. 326,347 5/1992 Ancona et al. .... D3/308
- D. 329,561 9/1992 Nyorkor ..... D6/524

*Primary Examiner*—Brian N. Vinson  
*Attorney, Agent, or Firm*—Thomas L. Adams

## [57] CLAIM

The ornamental design for combination portable bath organizer and tray insert, as shown and described.

## DESCRIPTION

FIG. 1 is a top, front, and left side perspective view of a combination portable bath organizer and tray insert showing my new design;

FIG. 2 is a top plan view thereof;

FIG. 3 is a rear elevational view thereof;

FIG. 4 is a right side elevational view thereof, the left side being a mirror image of that shown;

FIG. 5 is a front elevational view thereof;

FIG. 6 is a bottom plan view thereof;

FIG. 7 is a top plan view of the organizer portion thereof;

FIG. 8 is a top, front, and right side perspective view of the organizer portion thereof;

FIG. 9 is a top plan view of the tray insert portion thereof;

FIG. 10 is a front elevational view of the tray insert portion thereof;

FIG. 11 is a rear elevational view of the tray insert portion thereof;

FIG. 12 is a left side elevational view thereof; and,

FIG. 13 is a right side elevational view thereof. In some views one or the other portions of the assembly have been omitted for clarity of illustration.

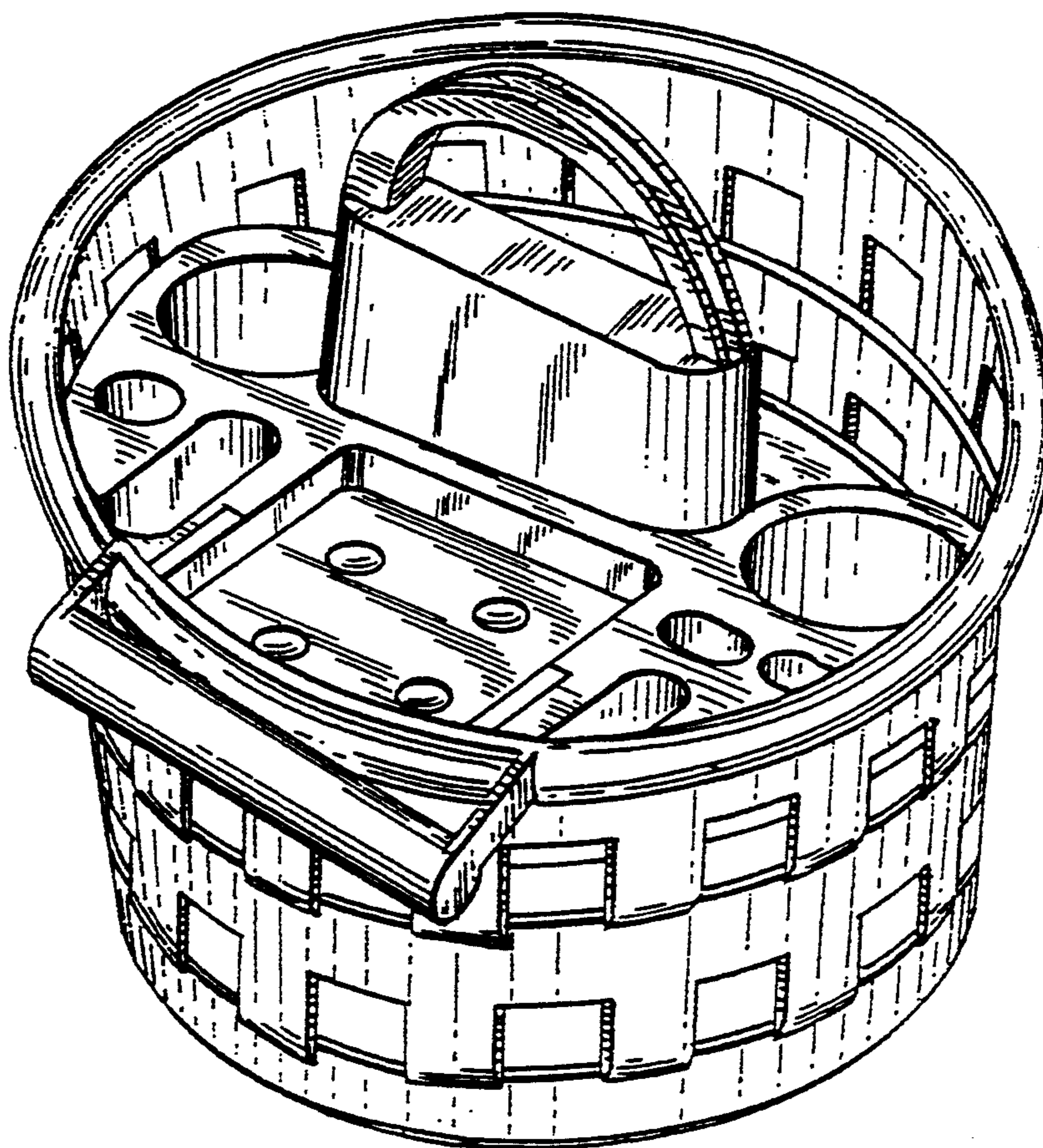


FIG. 1

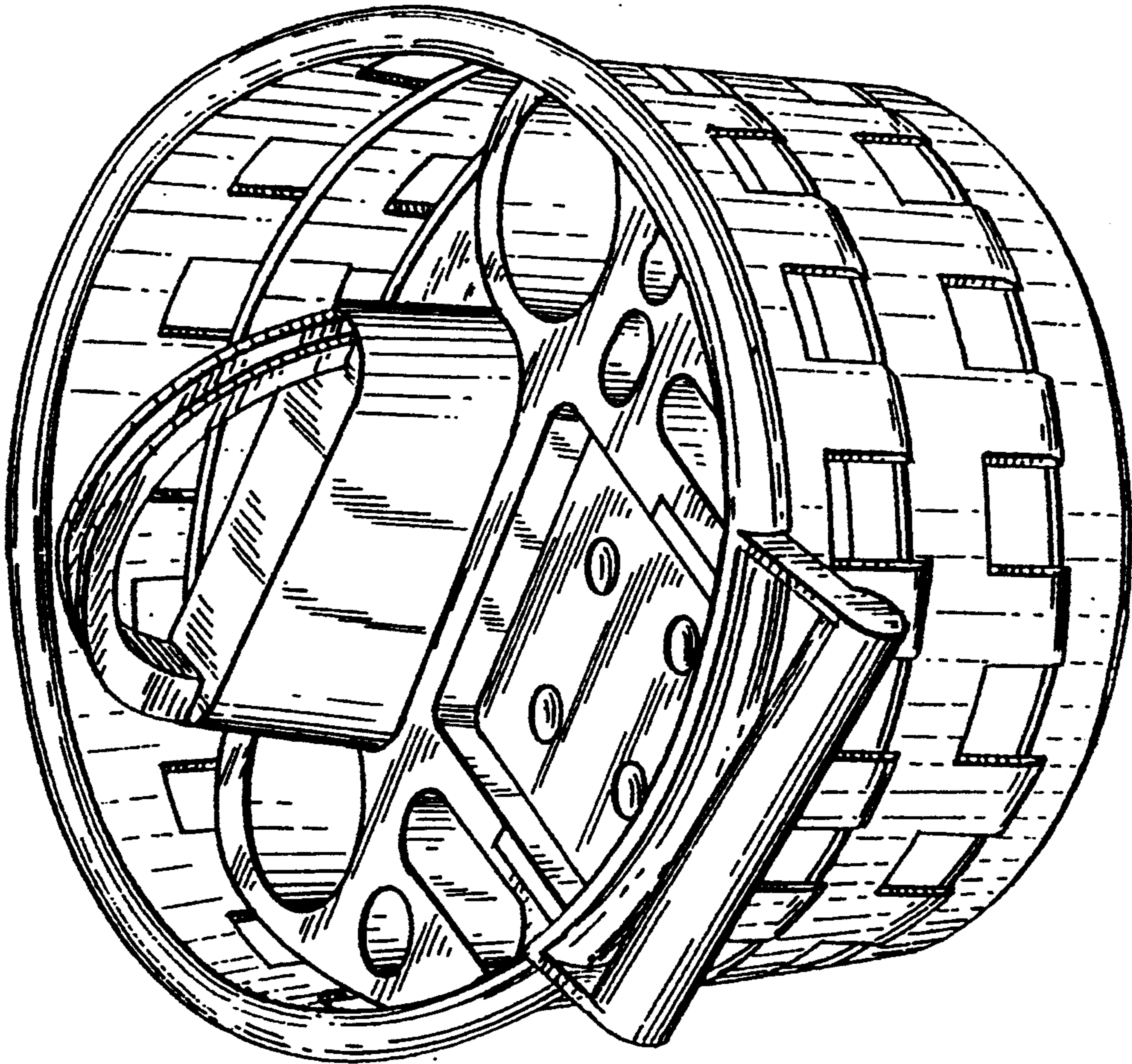


FIG. 2

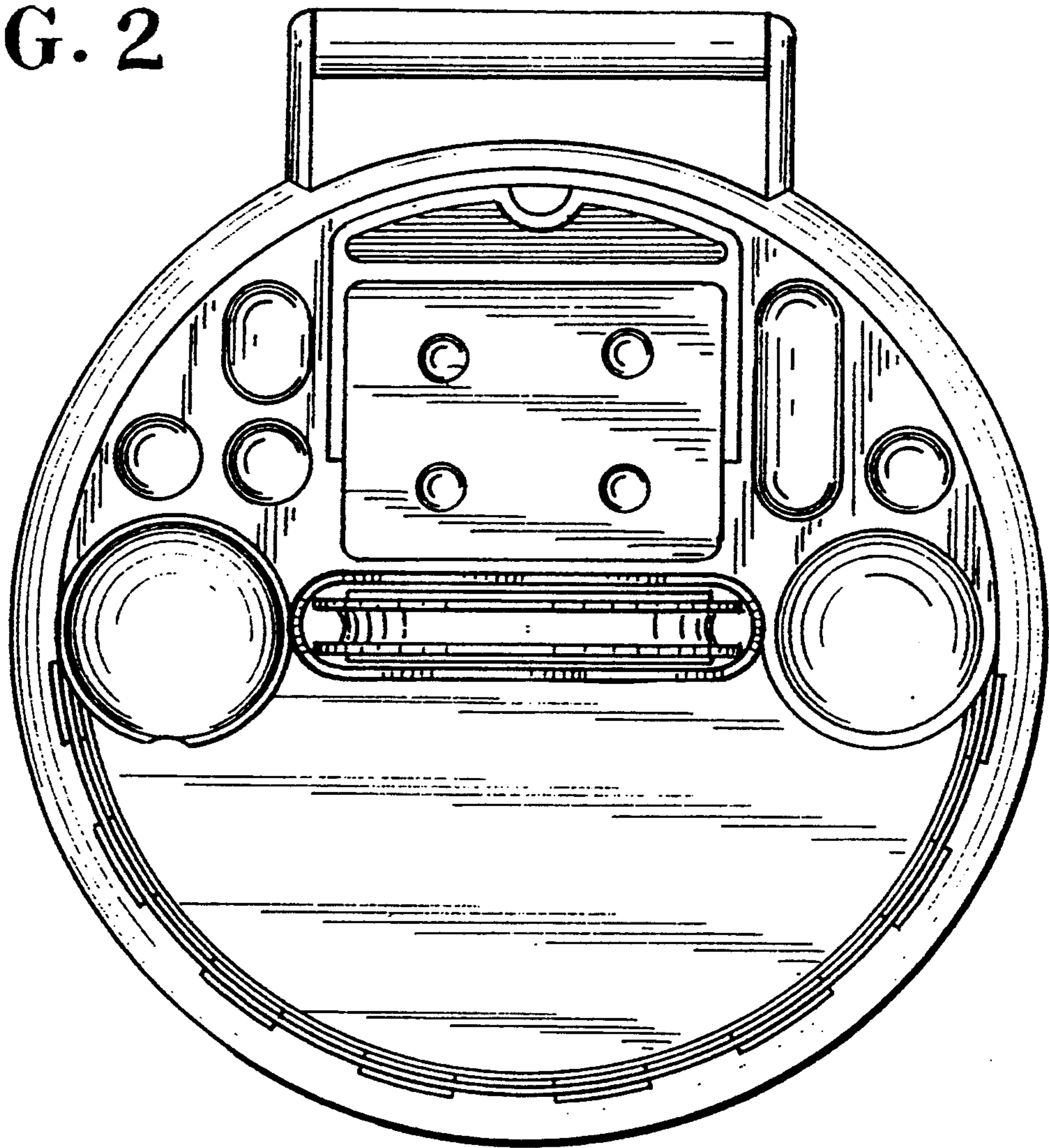


FIG. 3

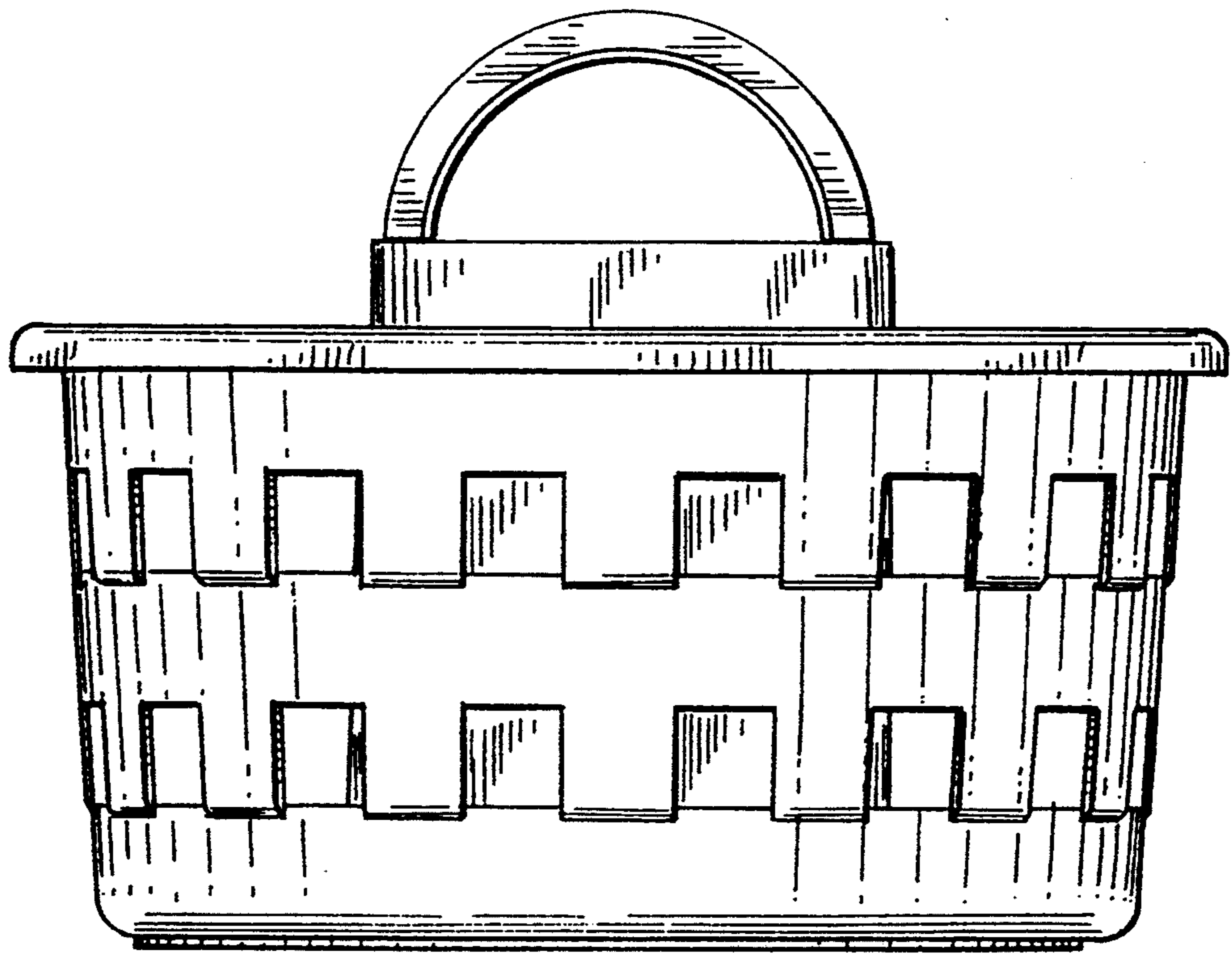


FIG. 4

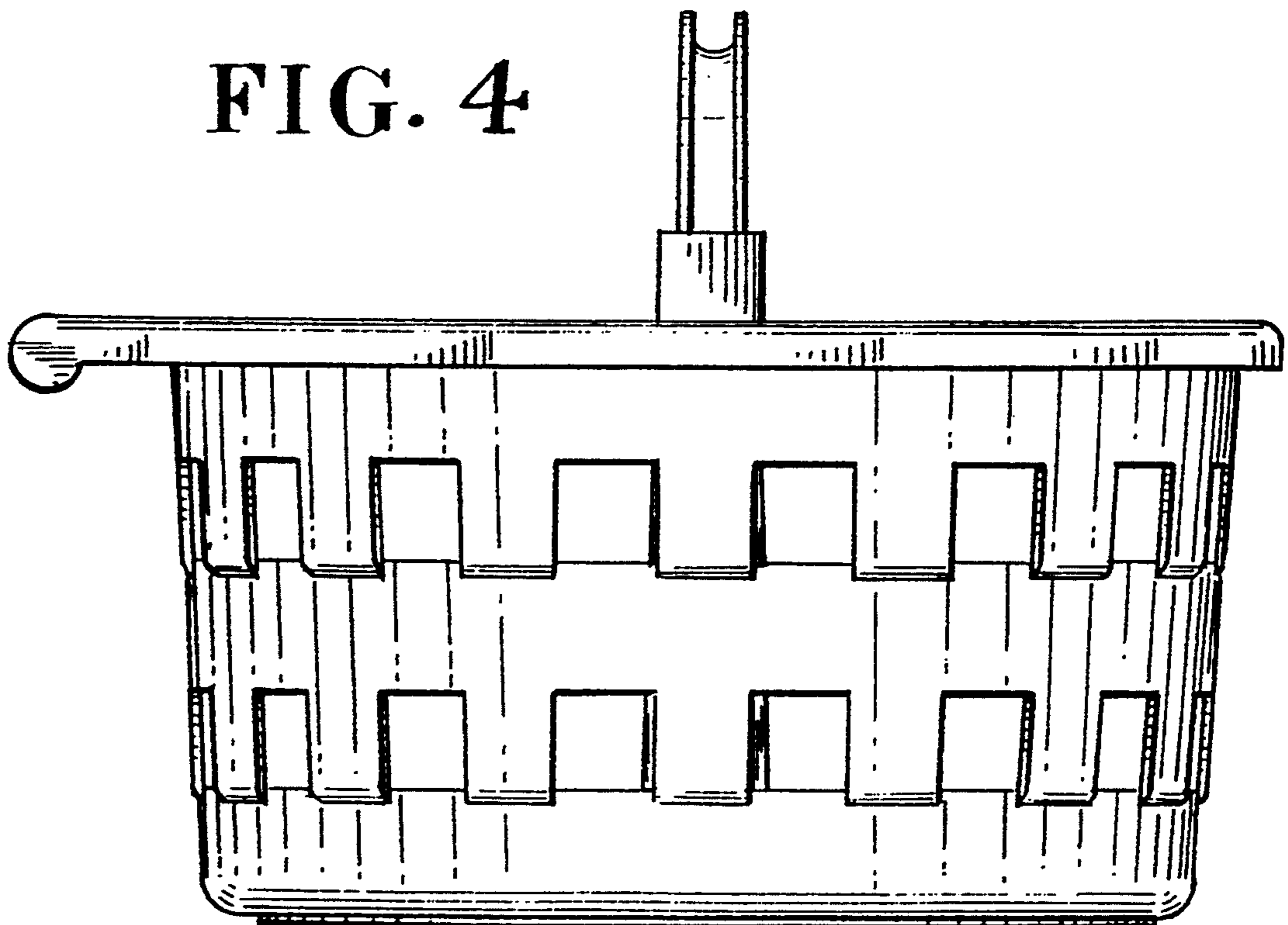


FIG. 5

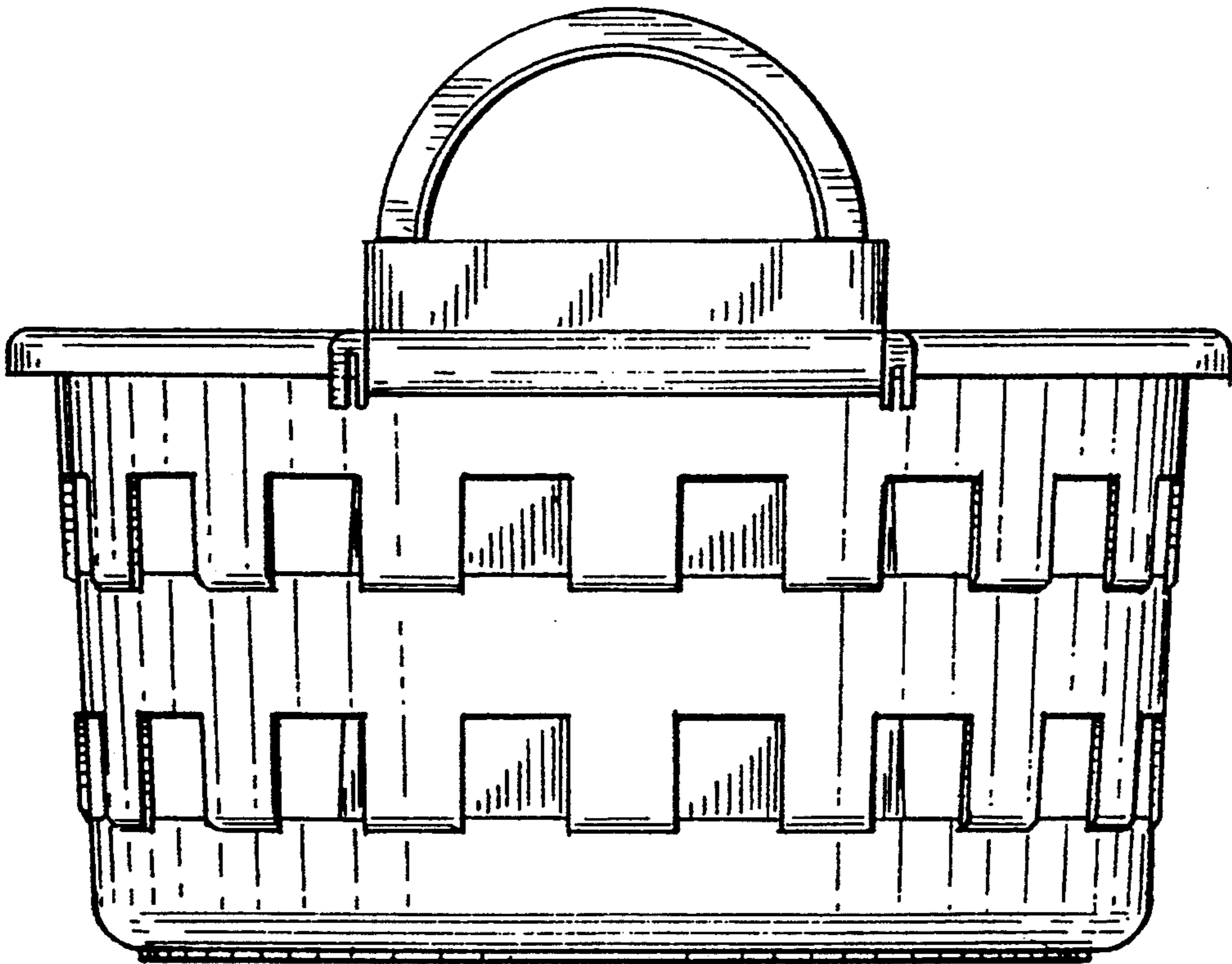


FIG. 9

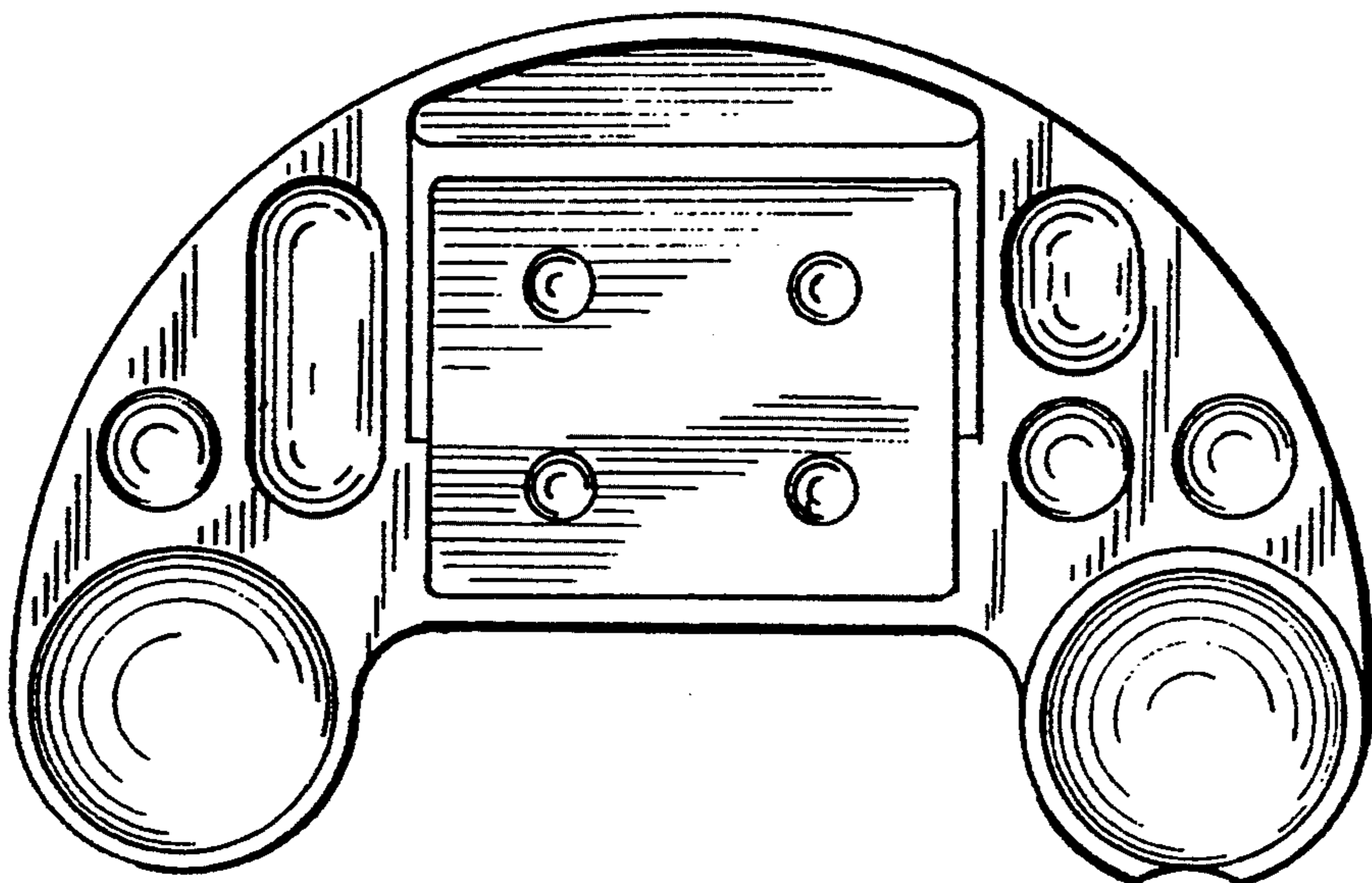


FIG. 6

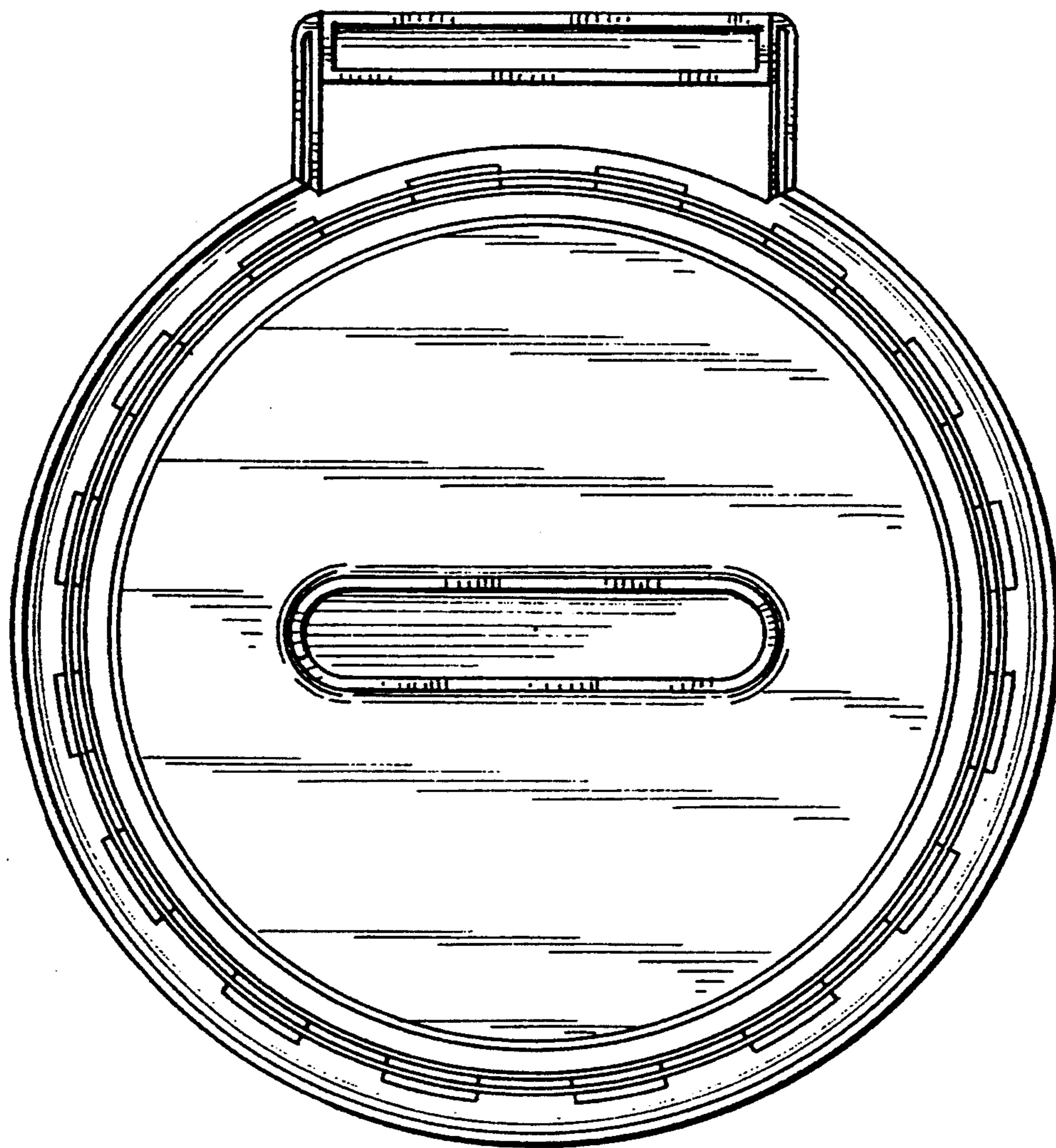


FIG. 7

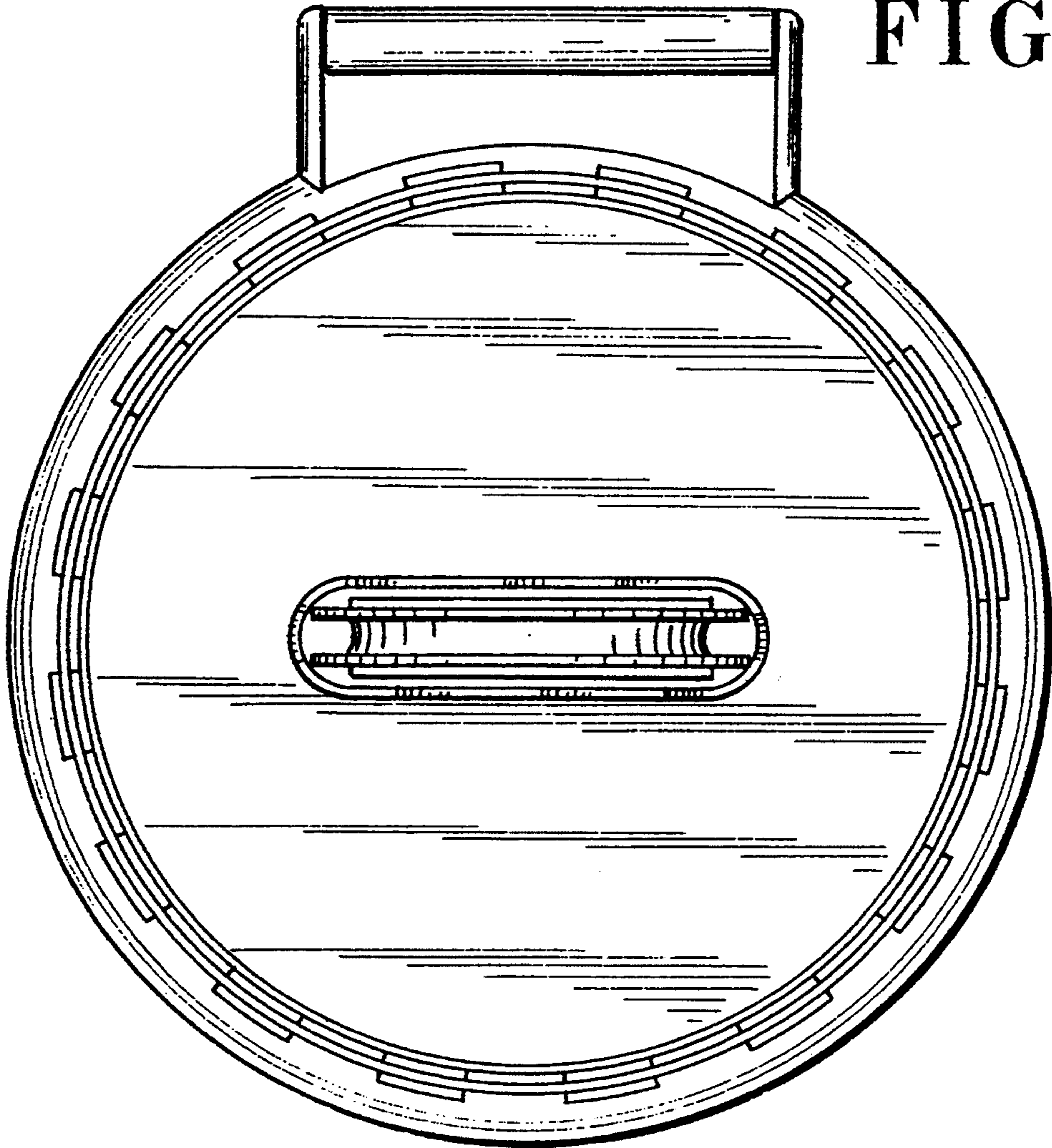


FIG. 10

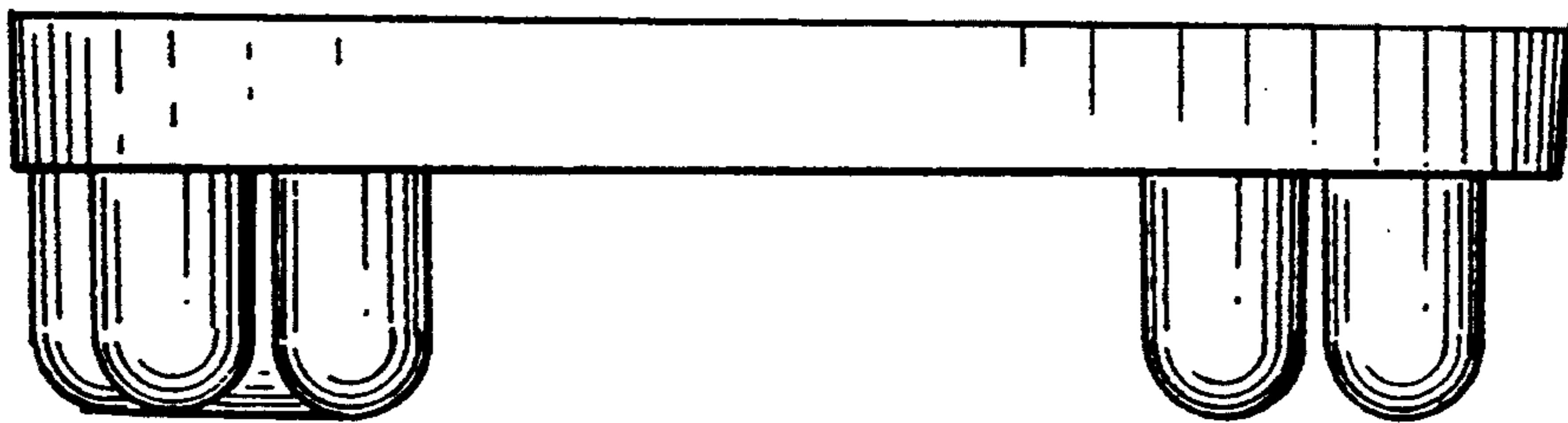


FIG. 11

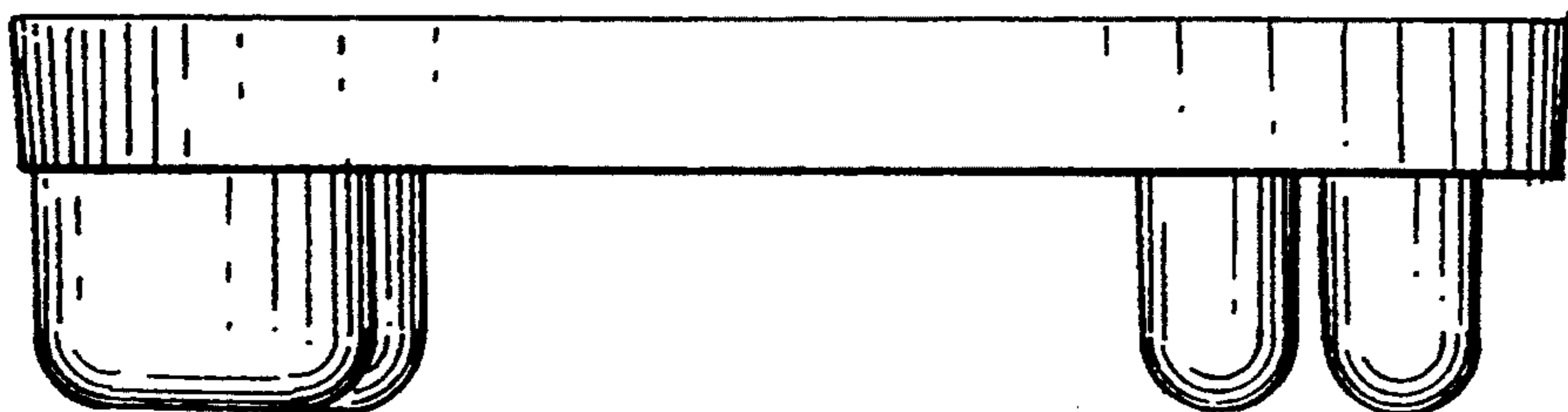


FIG. 8

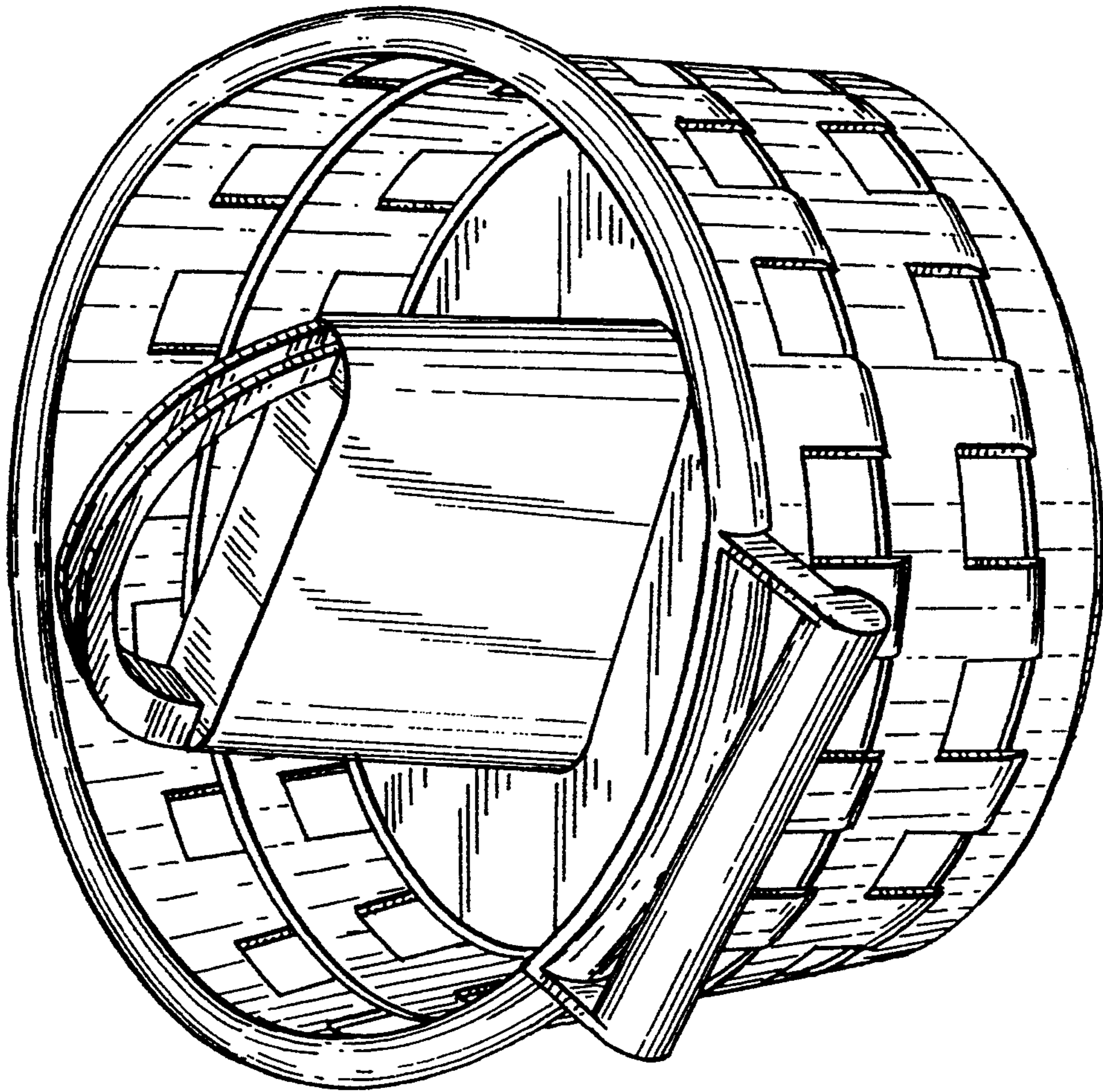




FIG. 13

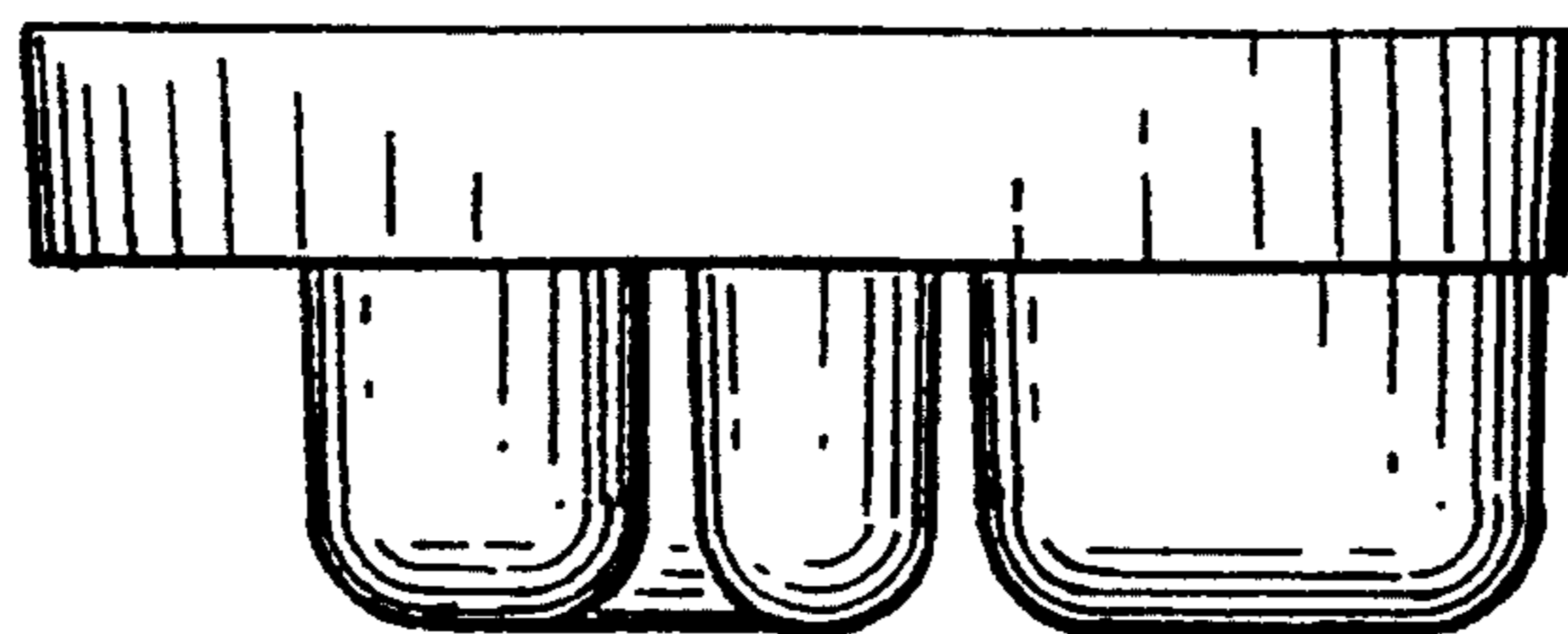


FIG. 12

