



US00D35552S

United States Patent [19]

[11] Patent Number: Des. 355,552

Whited et al.

[45] Date of Patent: ** Feb. 21, 1995

[54] PORTABLE STORAGE UNIT FOR QUICK AND TEMPORARY ATTACHMENT TO THE EDGE OF A HORIZONTAL SURFACE

[75] Inventors: Gary L. Whited, Kirkersville; James R. Stillwagon, West Worthington, both of Ohio

[73] Assignee: Table Helper, Inc., Hilliard, Ohio

[**] Term: 14 Years

[21] Appl. No.: 8,272

[22] Filed: May 12, 1993

[52] U.S. Cl. D6/513

[58] Field of Search D6/512-514, D6/566, 458, 462, 465, 509-510, 511; D19/75, 92; 211/13, 71, 86, 113, 119, 126, 134, 181, 182, 183; 248/200, 205.1, 235, 249, 302, 317; D8/373

[56] References Cited

U.S. PATENT DOCUMENTS

D. 286,117	10/1986	Wellington	D3/306 X
D. 294,788	3/1988	Cautereels et al.	D6/513
D. 295,182	4/1988	Remmers	D6/513
D. 321,300	11/1991	Postic	D6/511
D. 338,122	8/1993	Emalfarb et al.	D6/513
4,597,616	7/1986	Trubiano	211/181

OTHER PUBLICATIONS

Perspective, Top, Front, and Bottom Views of a Sassy Seat Brand Child Seat.

Rear, Side, and Side Perspective (Attached to Table-Top) Views of a Sassy Seat Brand Child Seat.

Primary Examiner—Brian N. Vinson

Attorney, Agent, or Firm—Louis T. Isaf; James A. Witherspoon

[57] CLAIM

The ornamental design for a portable storage unit for quick and temporary attachment to the edge of a horizontal surface, as shown and described.

DESCRIPTION

FIG. 1 is a top, front, and left side perspective view of a portable storage unit for quick and temporary attachment to the edge of a horizontal surface showing our new design;

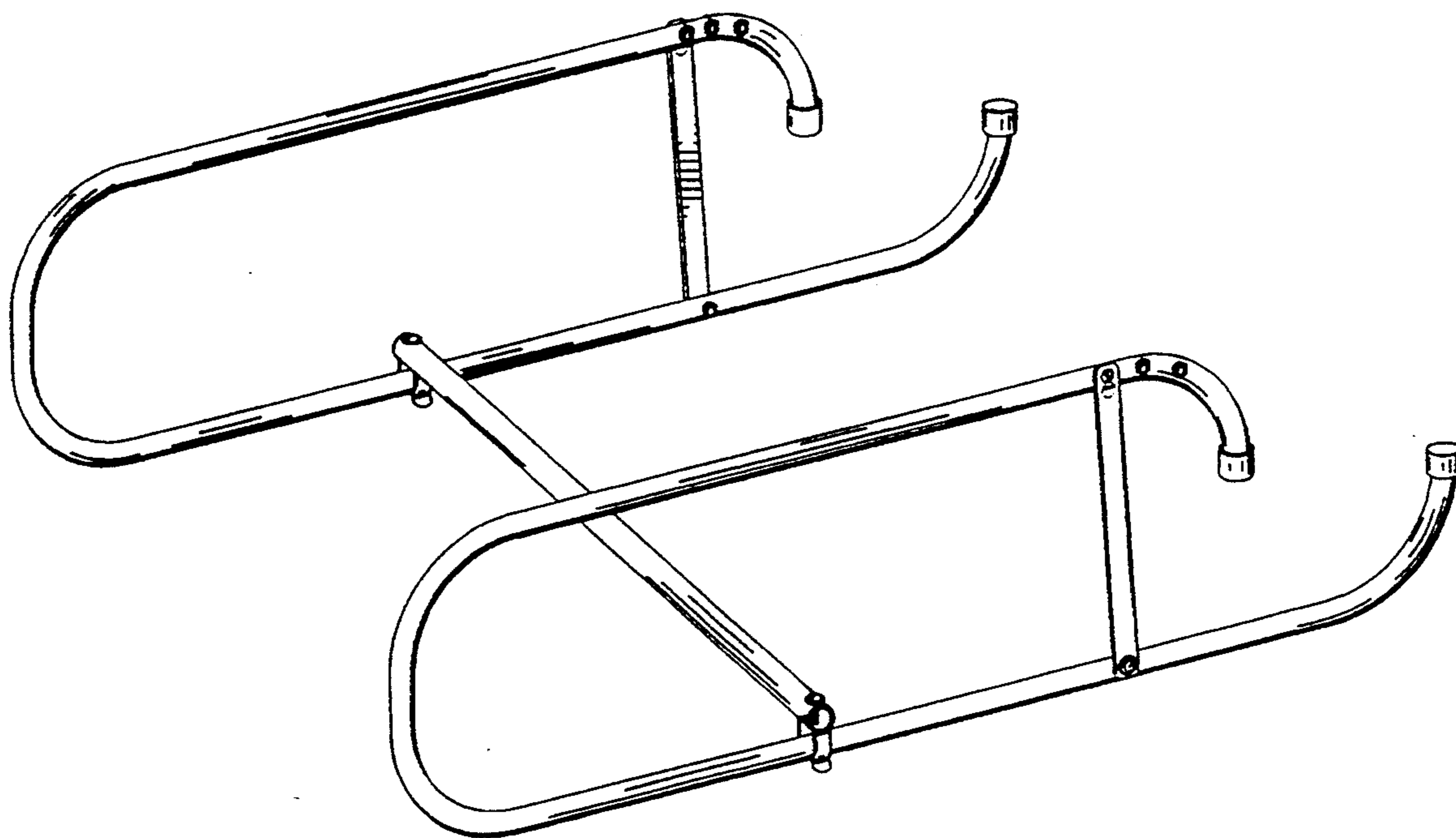
FIG. 2 is a left side elevational view thereof;

FIG. 3 is a front elevational view thereof, the fragmentary broken-line disclosure of a horizontal surface being for illustrative purposes only and forming no part of the claimed design;

FIG. 4 is a right side elevational view thereof;

FIG. 5 is a top plan view thereof; and,

FIG. 6 is a bottom plan view thereof.



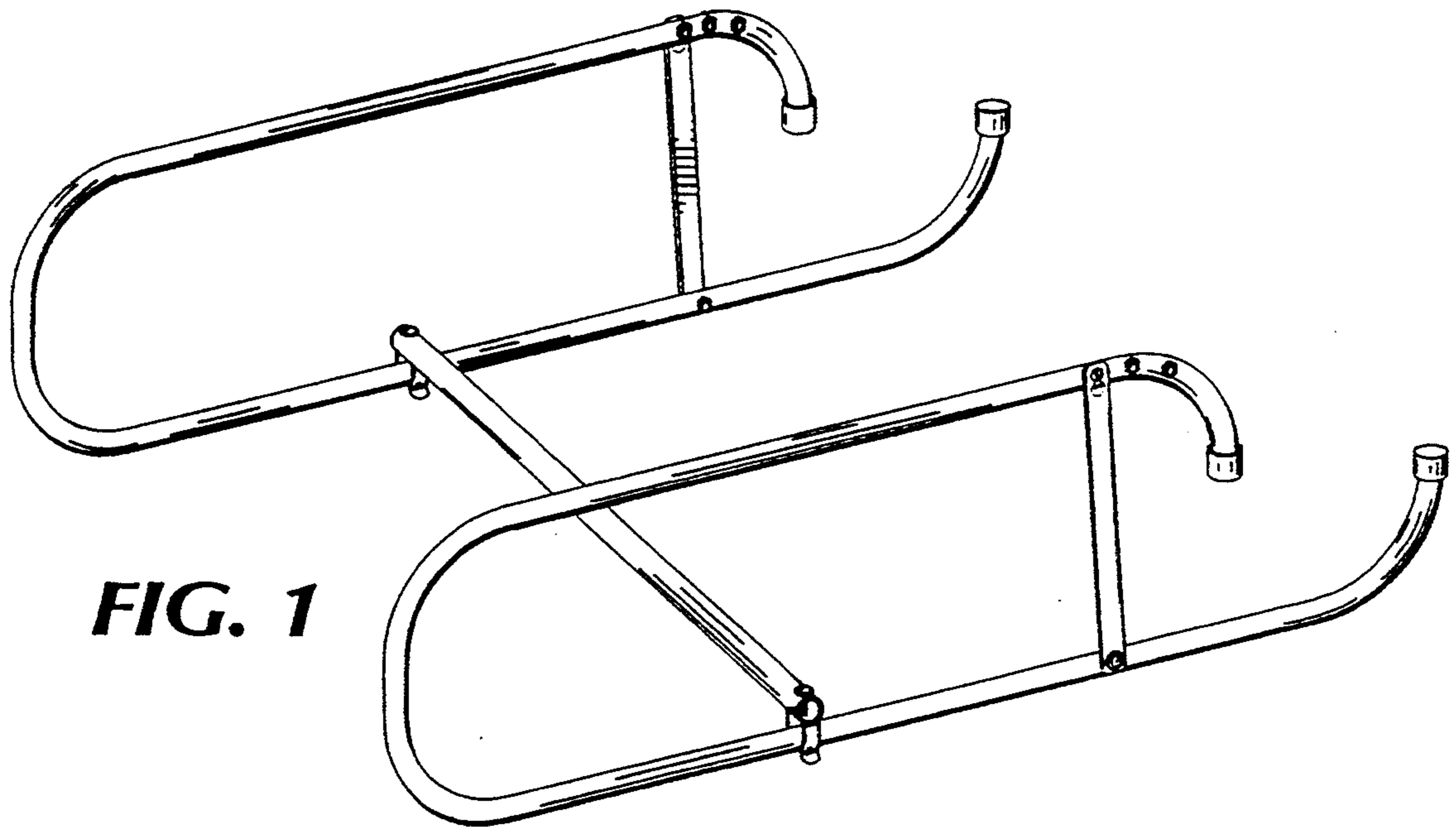


FIG. 2

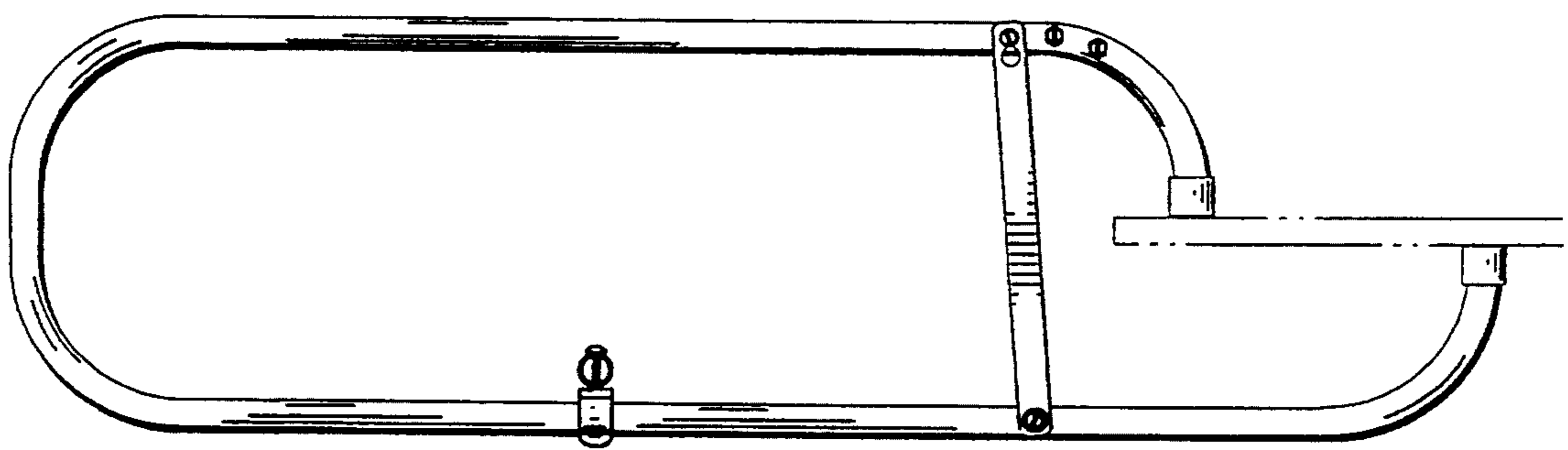
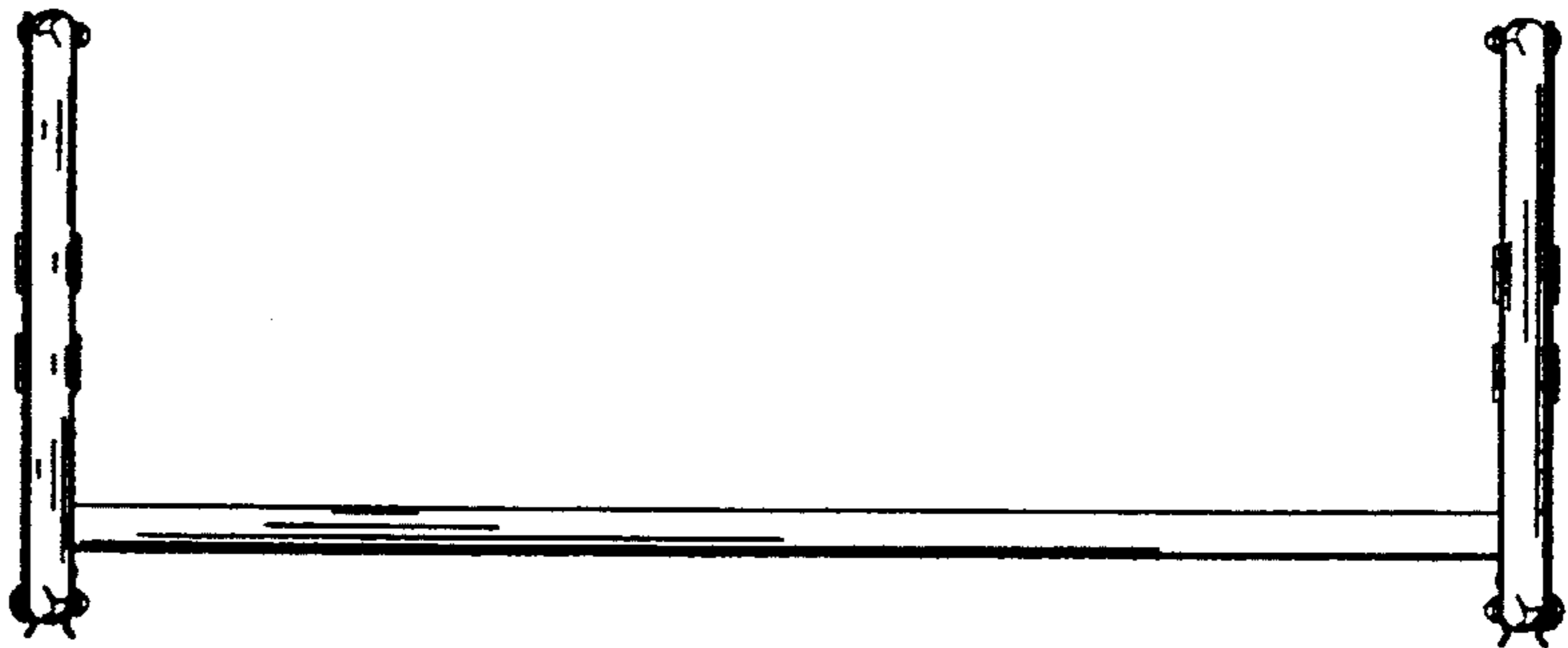


FIG. 3

FIG. 4



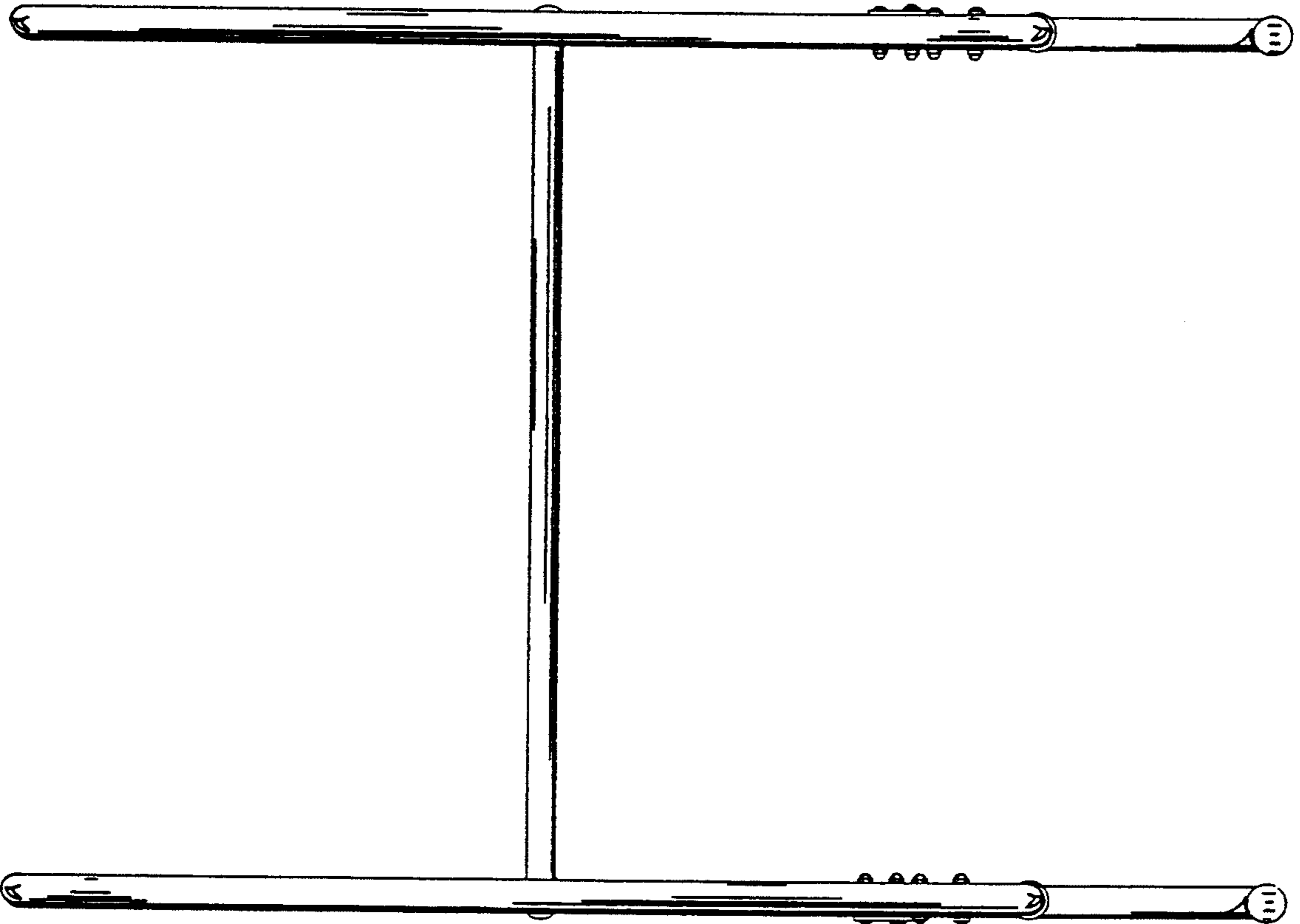


FIG. 5

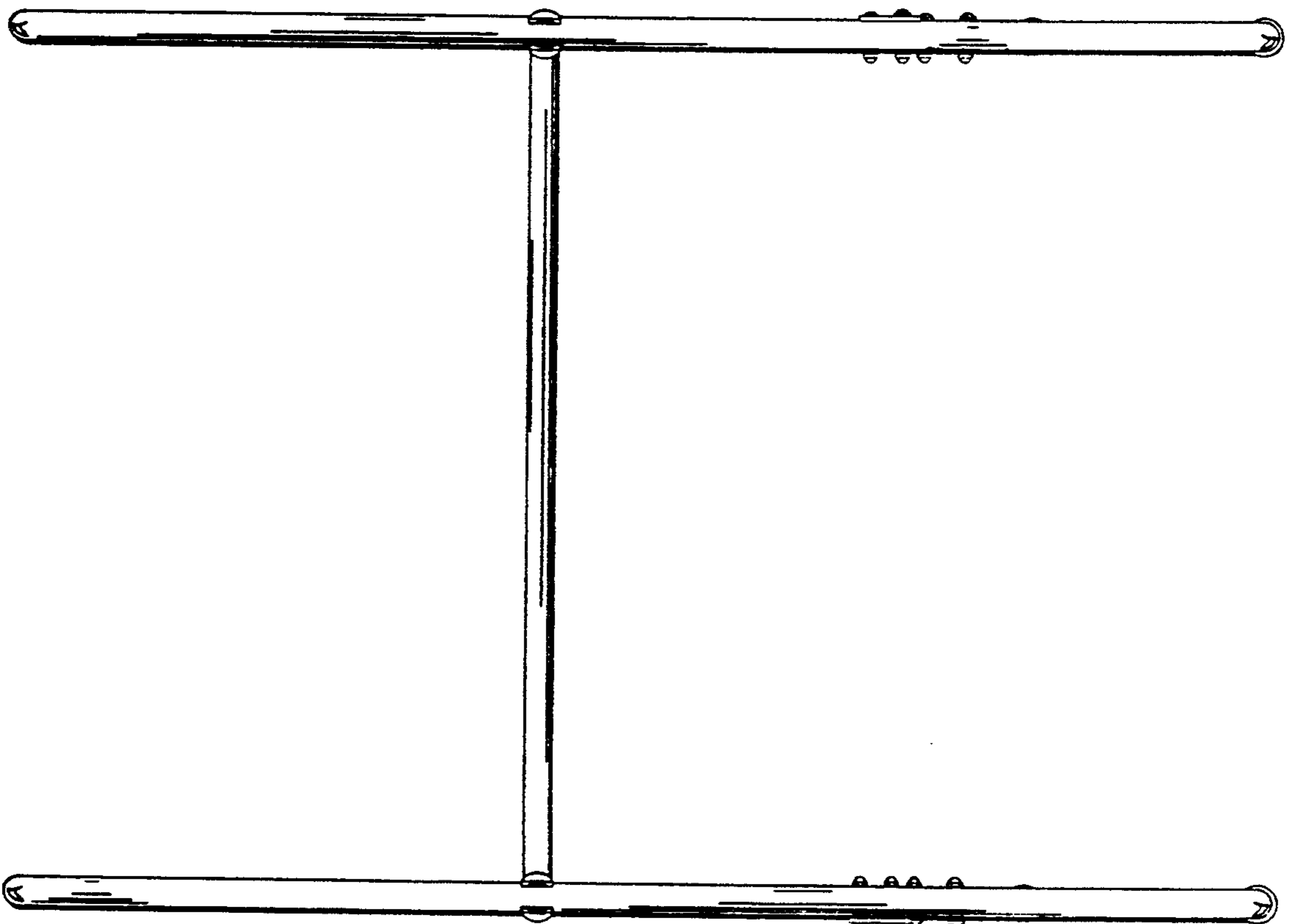


FIG. 6