



US00D355551S

United States Patent [19]

[11] Patent Number: **Des. 355,551**

McNamara et al.

[45] Date of Patent: **** Feb. 21, 1995**

[54] **LEGLESS LOCKER SHELF ASSEMBLY**

[75] Inventors: **George E. McNamara; Craig Hansen,**
both of Minnetonka, Minn.

[73] Assignee: **Minnesota American, Inc.,**
Minnetonka, Minn.

[**] Term: **14 Years**

[21] Appl. No.: **10,495**

[22] Filed: **Jul. 12, 1993**

[52] U.S. Cl. **D6/511; D6/509;**
D6/510

[58] Field of Search **D6/491, 509-511,**
D6/491-495; 211/153, 90; 312/216, 205

[56] **References Cited**

U.S. PATENT DOCUMENTS

- 7,789 11/1850 Shoenberger .
- D. 329,157 9/1992 Santucci D6/511
- 332,238 12/1885 Denton .
- 584,082 6/1897 Nessel 211/153
- 739,085 9/1903 Kamerer .
- 905,737 12/1908 McCombe .
- 940,023 11/1909 Hutchinson .
- 1,043,950 11/1912 Martin .
- 1,069,411 8/1913 Greene .
- 1,167,550 1/1916 Forsyth .
- 1,872,740 8/1932 James .
- 2,346,430 4/1944 Hauser .
- 2,360,452 10/1944 Stone .
- 2,441,721 5/1948 Schroeder .

- 2,791,336 5/1957 Stairwalt .
- 3,360,321 12/1967 Novales .
- 3,643,607 2/1972 MacKenzie 211/153 X
- 3,648,626 3/1972 Schuster 211/90 X
- 3,916,802 11/1975 Virtue et al. .
- 4,118,087 10/1978 Dorf .
- 4,283,099 8/1981 Burton .
- 4,478,337 10/1984 Flum 211/153 X
- 4,500,146 2/1985 Peterson .

FOREIGN PATENT DOCUMENTS

- 178984 5/1922 United Kingdom .

OTHER PUBLICATIONS

The Class Act flyer, 1991 Photos "A and B".
Locker Zone Expandable Shelf, W. T. Rogers "C and D".

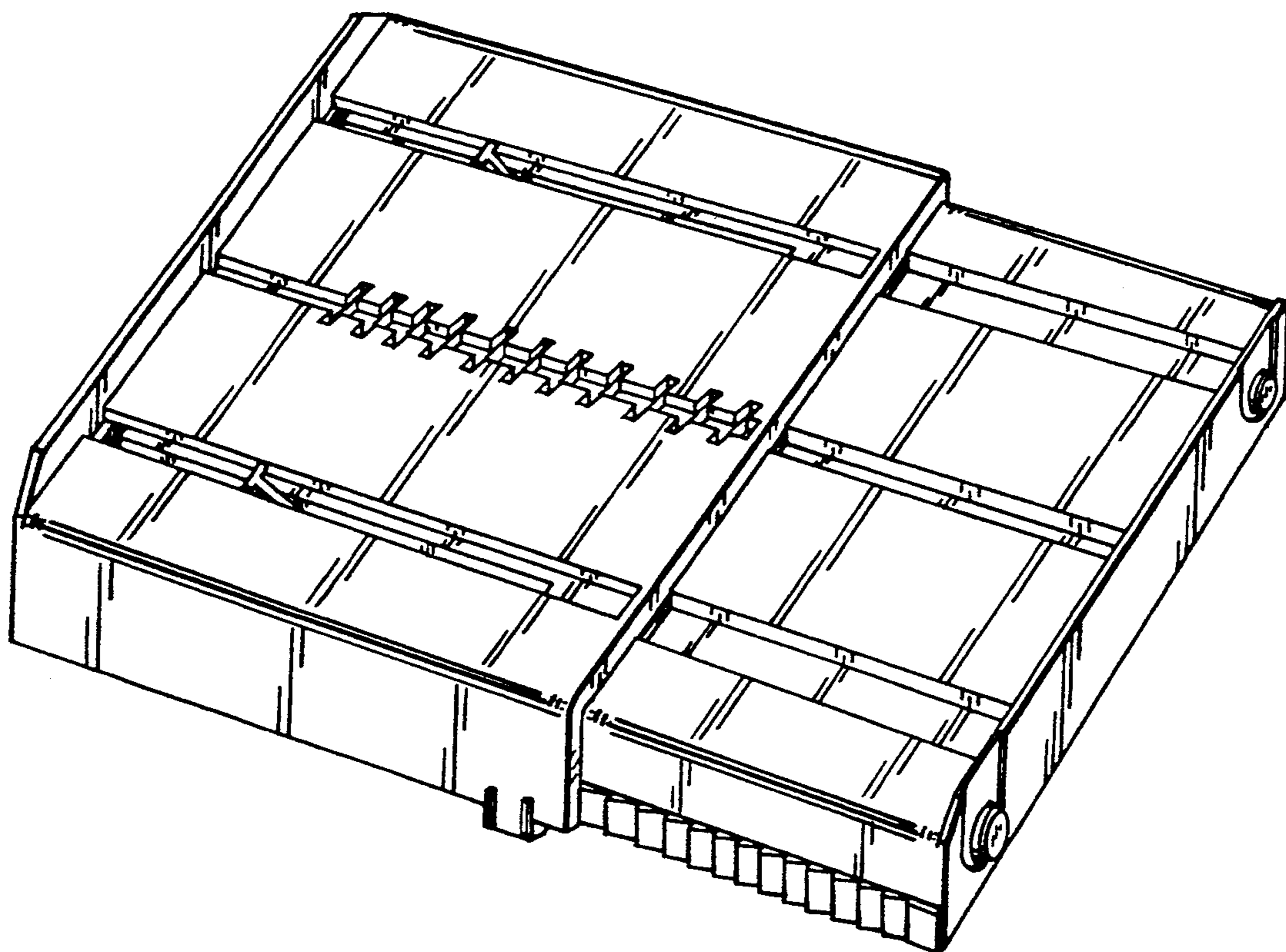
Primary Examiner—Janice E. Seeger

[57] **CLAIM**

The ornamental design for a legless locker shelf assembly, as shown and described.

DESCRIPTION

FIG. 1 is a perspective view of the legless locker shelf assembly showing our new design;
FIG. 2 is an enlarged top plan view thereof;
FIG. 3 is a left end elevational view thereof;
FIG. 4 is a right end elevational view thereof;
FIG. 5 is a front elevational view thereof;
FIG. 6 is a rear elevational view thereof; and,
FIG. 7 is a bottom plan view thereof.



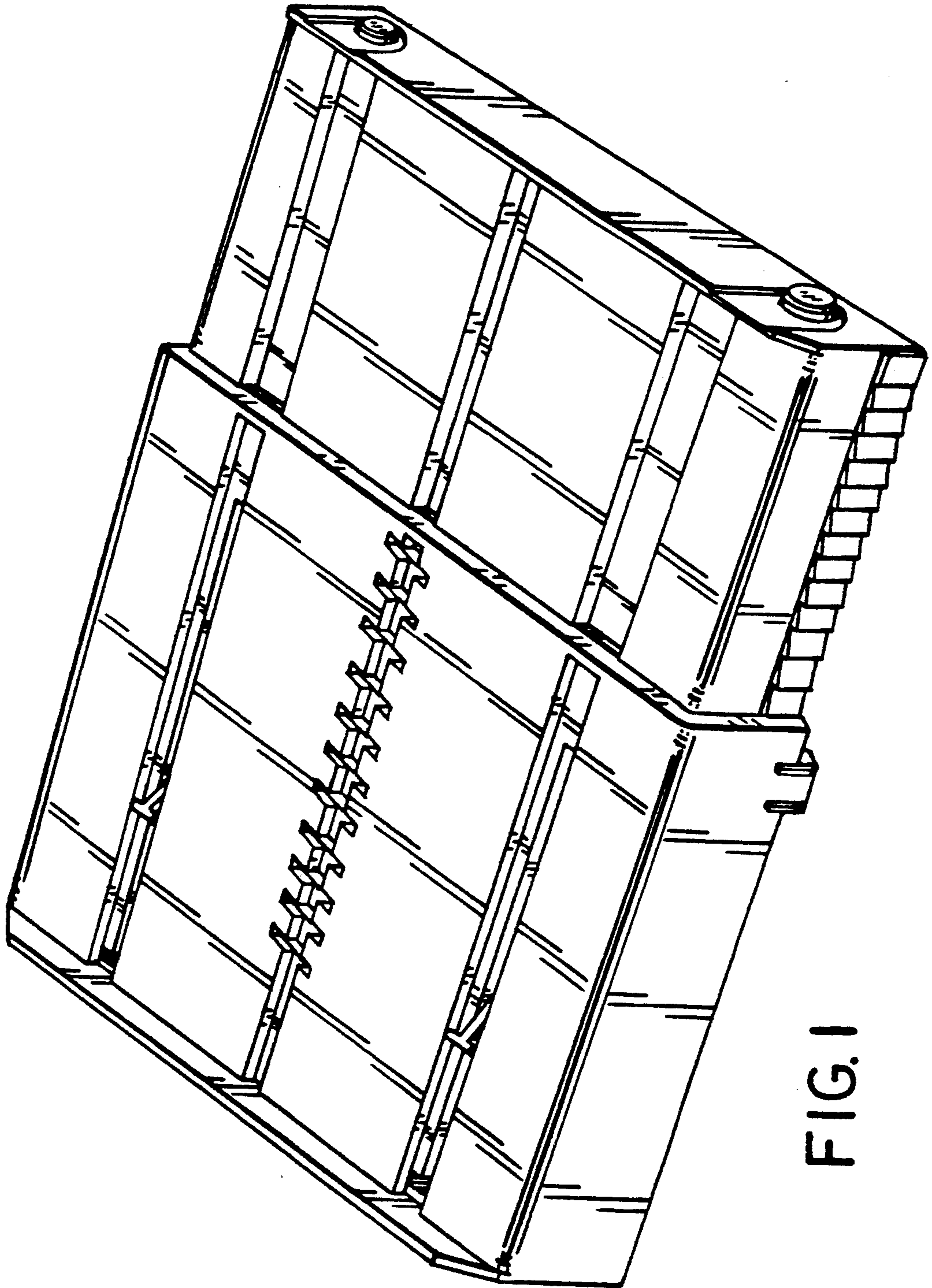


FIG. 1

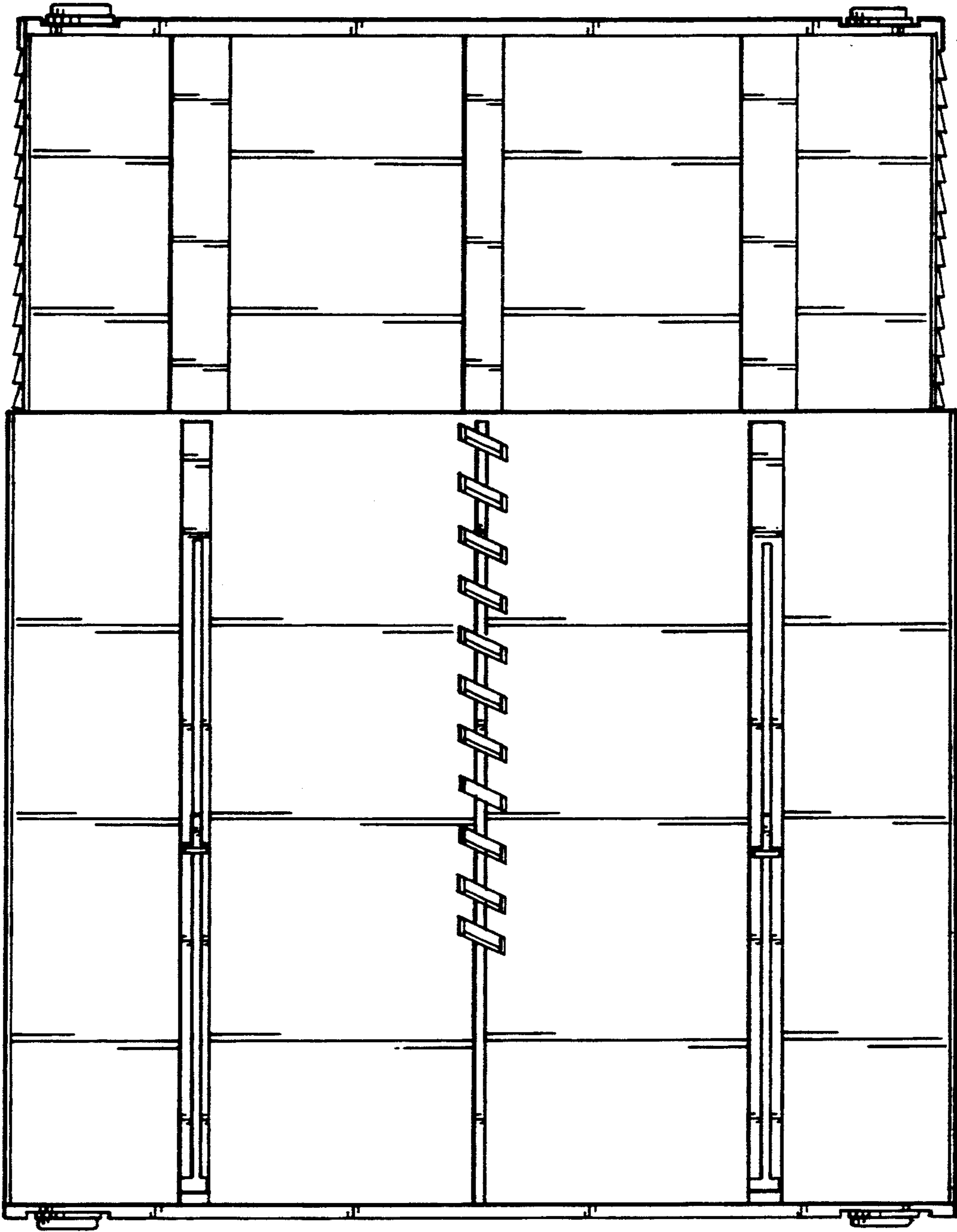


FIG. 2

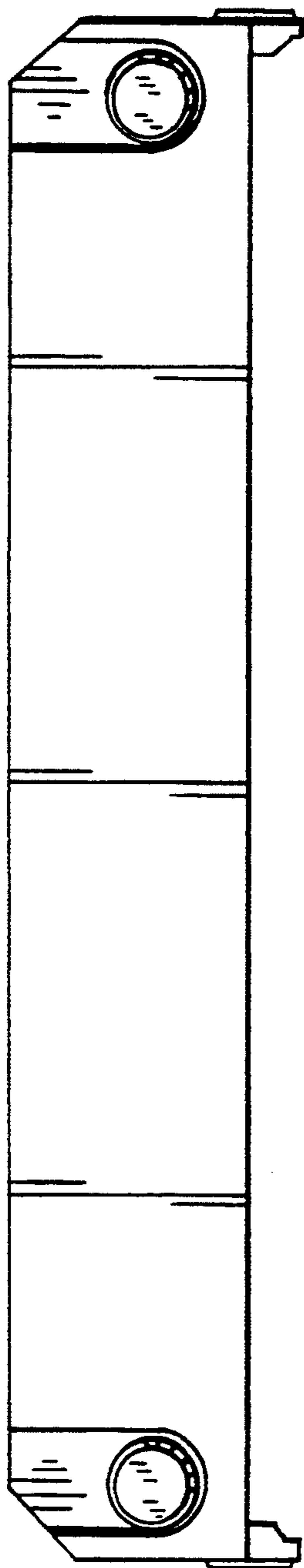


FIG. 3

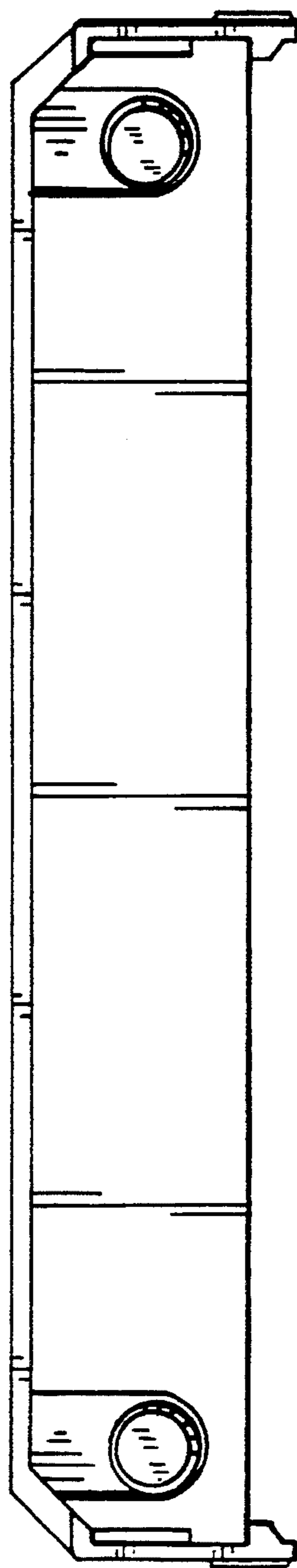


FIG. 4

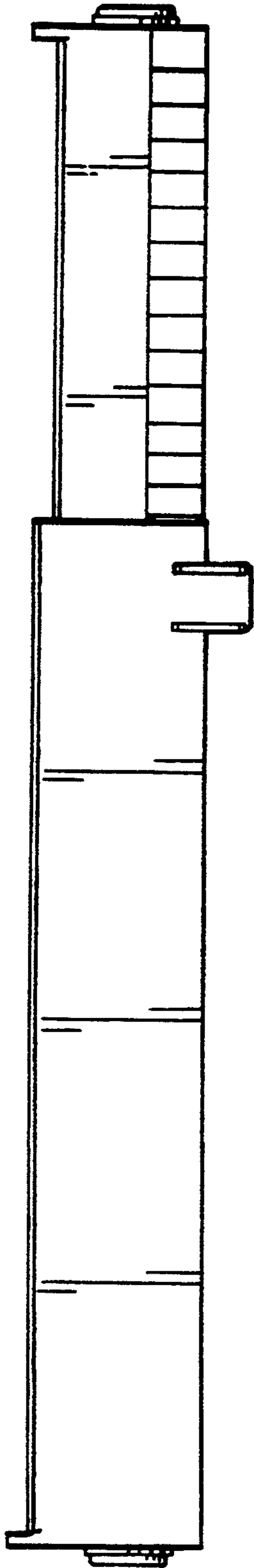


FIG. 5

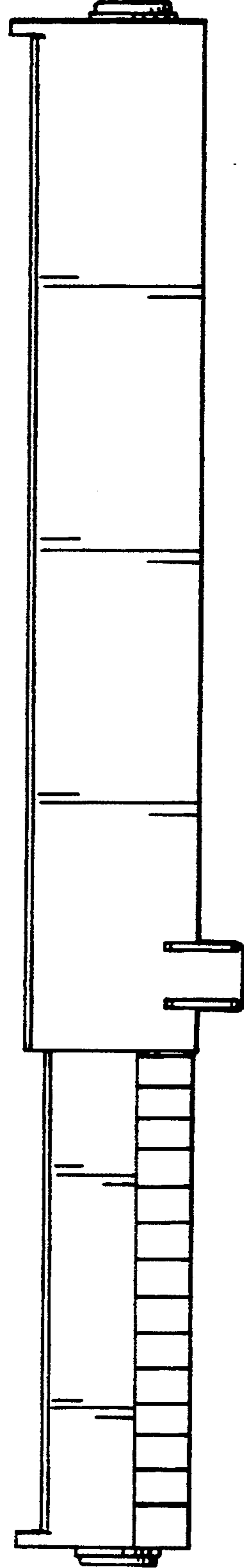


FIG. 6

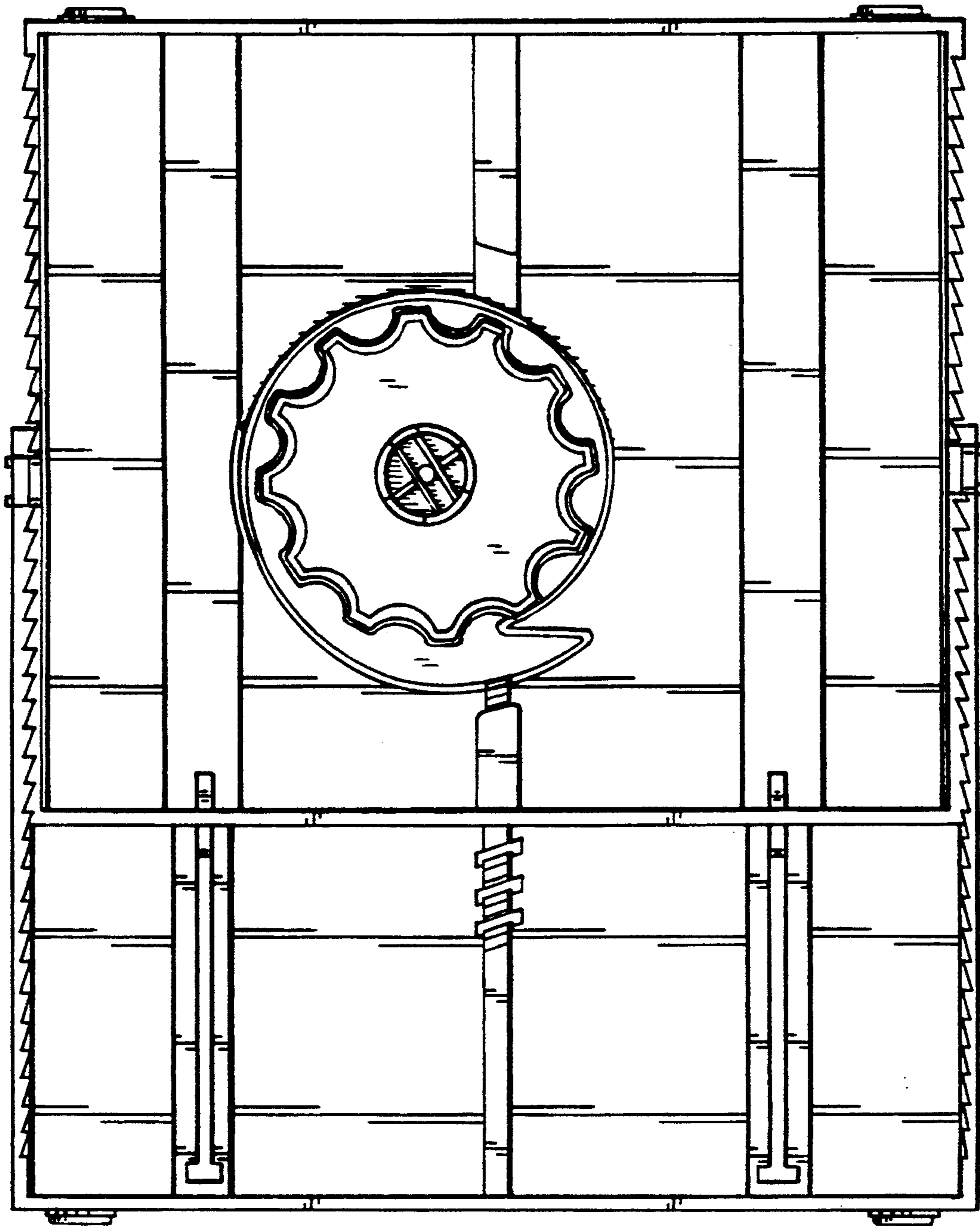


FIG. 7