



US00D355546S

# United States Patent [19]

[11] Patent Number: Des. 355,546

Hewitt

[45] Date of Patent: \*\* Feb. 21, 1995

[54] MACHINE SUPPORT TABLE

[76] Inventor: Timothy Hewitt, P.O. Box 839, Royal Oak, Mich. 48068-0839

[\*\*] Term: 14 Years

[21] Appl. No.: 7,768

[22] Filed: Apr. 30, 1993

[52] U.S. Cl. .... D6/480; D6/349; D6/477

[58] Field of Search ..... D6/480-489, D6/495, 498, 499, 477, 478, 429, 400, 455, 461; 108/59, 91, 92, 144, 153, 156, 161, 93, 101; 248/188, 188.1; D34/12, 17

[56] References Cited

U.S. PATENT DOCUMENTS

D. 280,370	9/1985	Ferdinand et al. ....	D6/477
1,667,913	5/1928	Westen .....	248/151
1,781,718	11/1930	Conrad .....	108/59
2,677,470	5/1954	Catalano .....	108/156 X
2,972,506	2/1961	Haag .....	108/153 X
3,523,702	8/1970	Unti et al. ....	108/144 X

OTHER PUBLICATIONS

C+H-Buyers Guide-Spring #852A, p. 82 #C at lower left.

Montgomery Ward 169-Spr/Summer, p. 476 #8 lower right table.

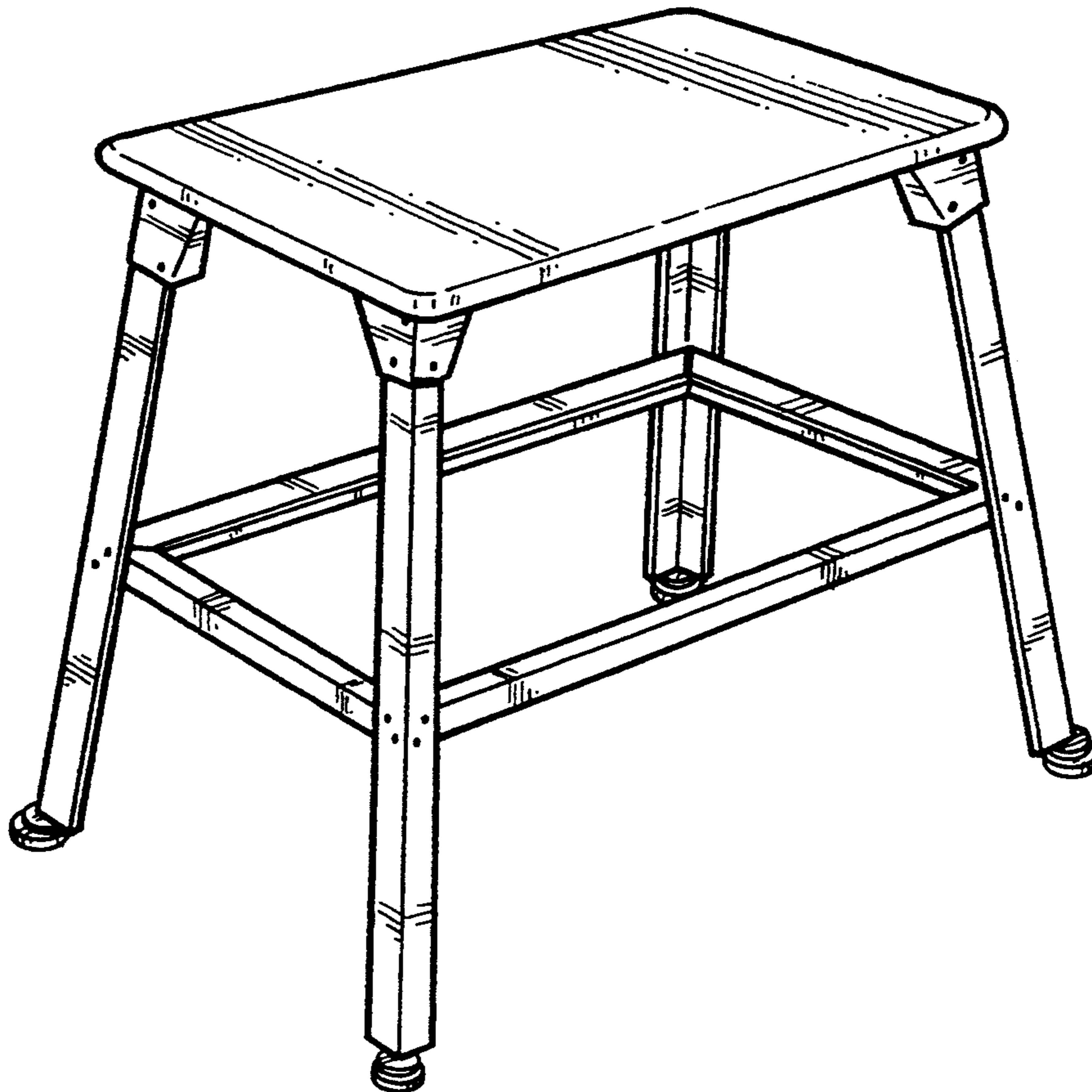
Primary Examiner—Janice E. Seeger  
Attorney, Agent, or Firm—Gifford, Krass, Groh, Sprinkle, Patmore, Anderson & Citkowski

[57] CLAIM

The ornamental design for a machine support table, as shown and described.

DESCRIPTION

FIG. 1 is a perspective view of a machine support table, showing my new design;  
FIG. 2 is a top view thereof;  
FIG. 3 is a front view thereof, said front view being the same as the rear;  
FIG. 4 is a right side view thereof, said right side view being the same as the left side view; and,  
FIG. 5 is a bottom view thereof.



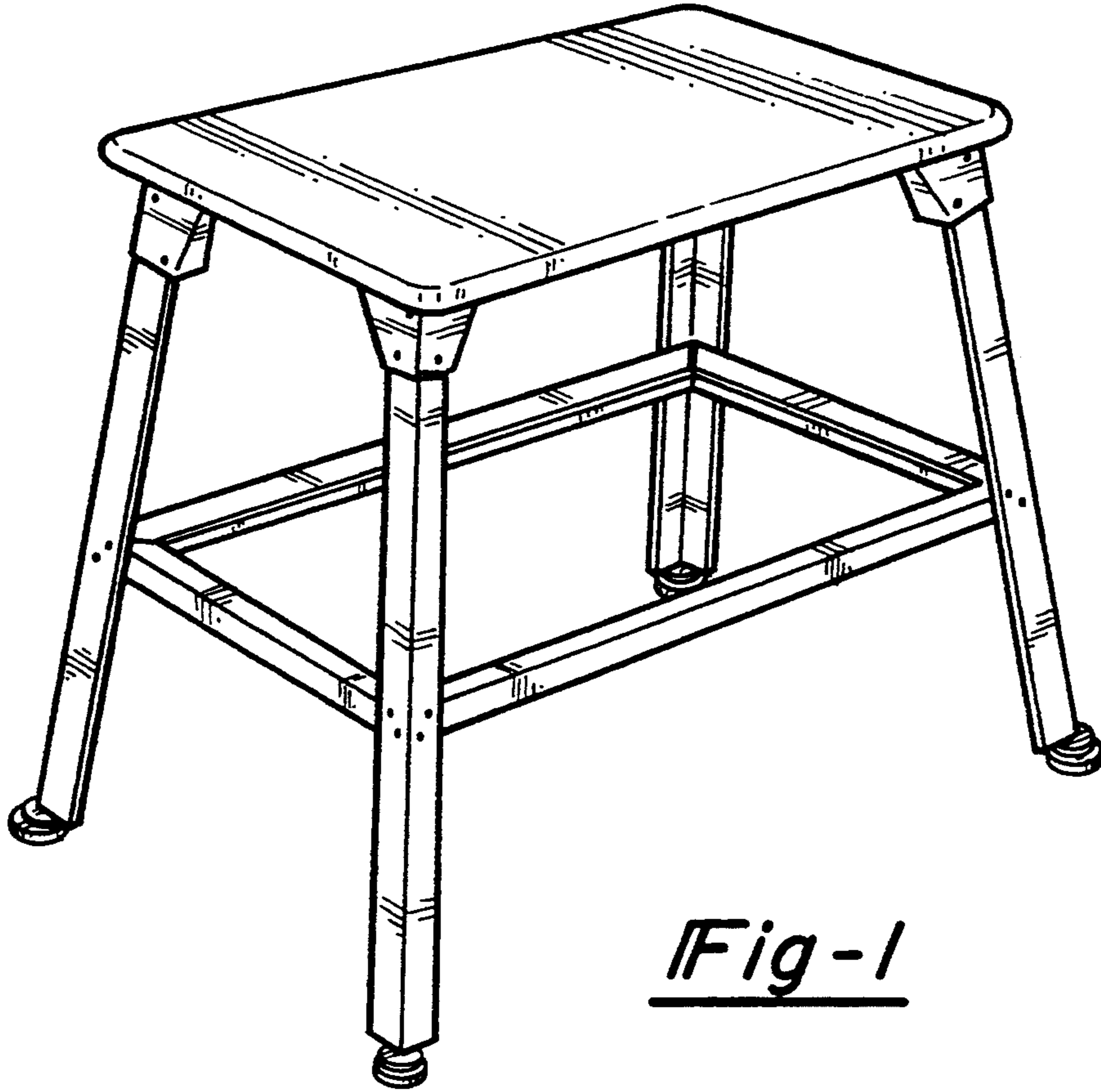


Fig-1

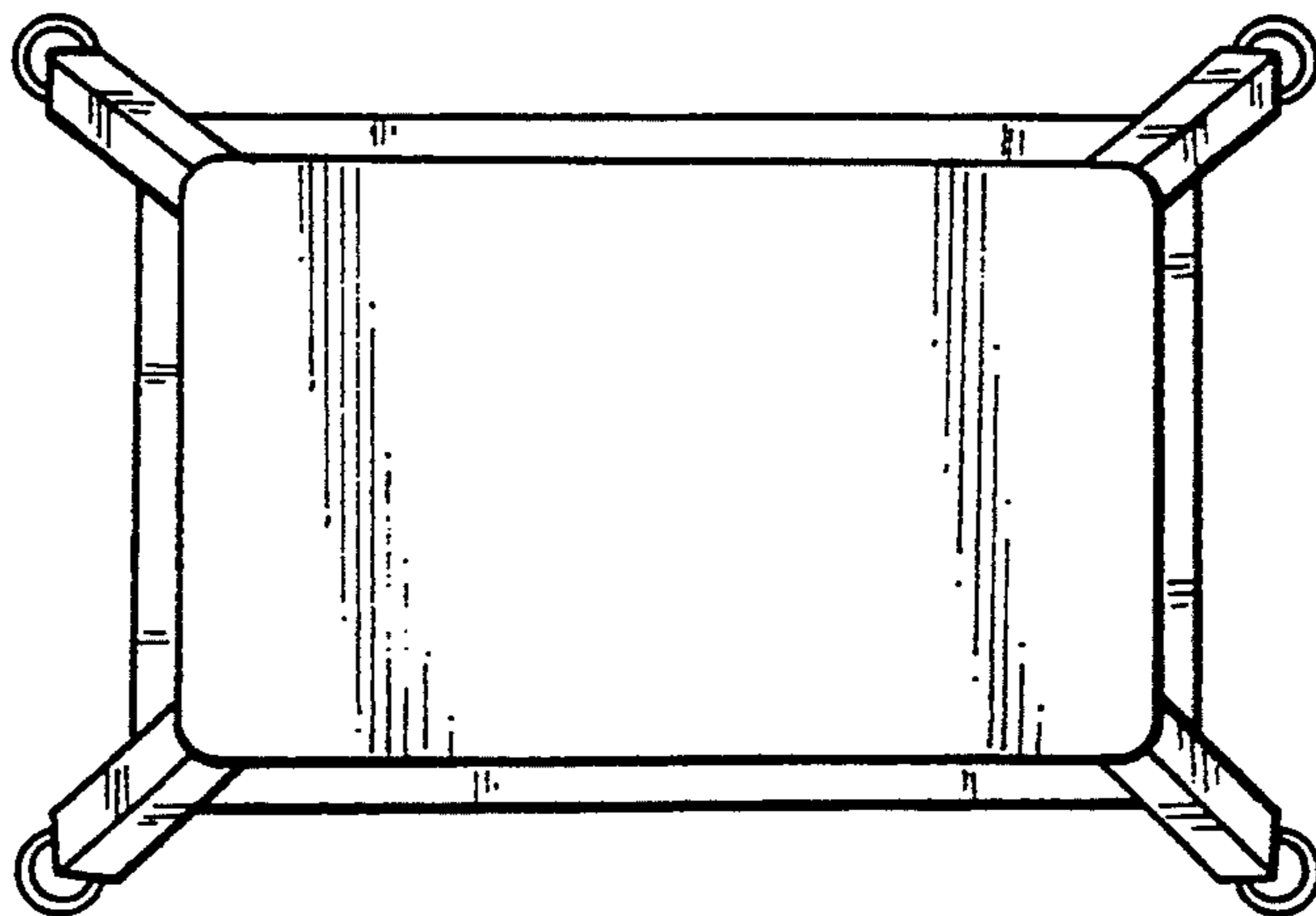


Fig-2

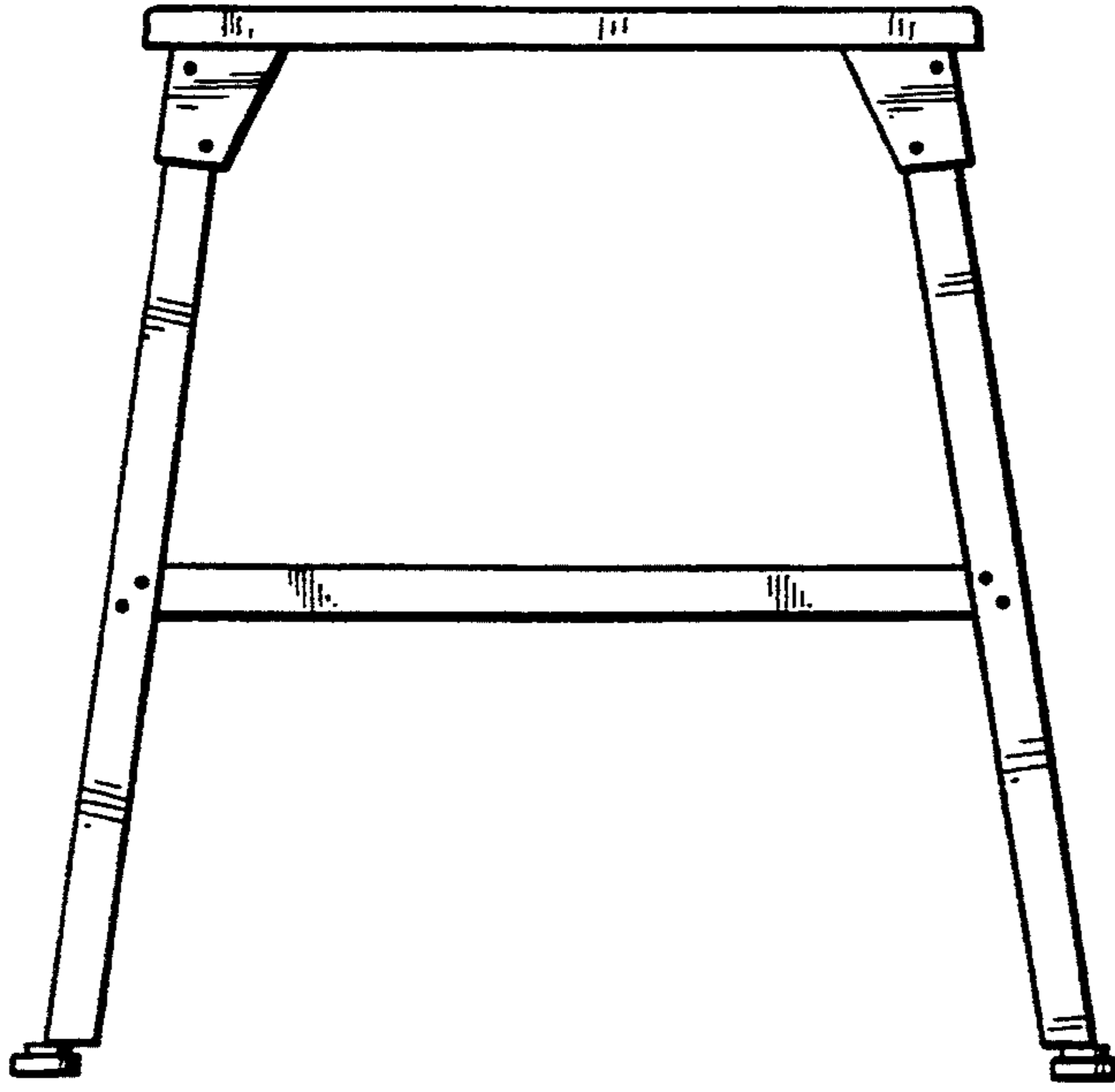


Fig-3

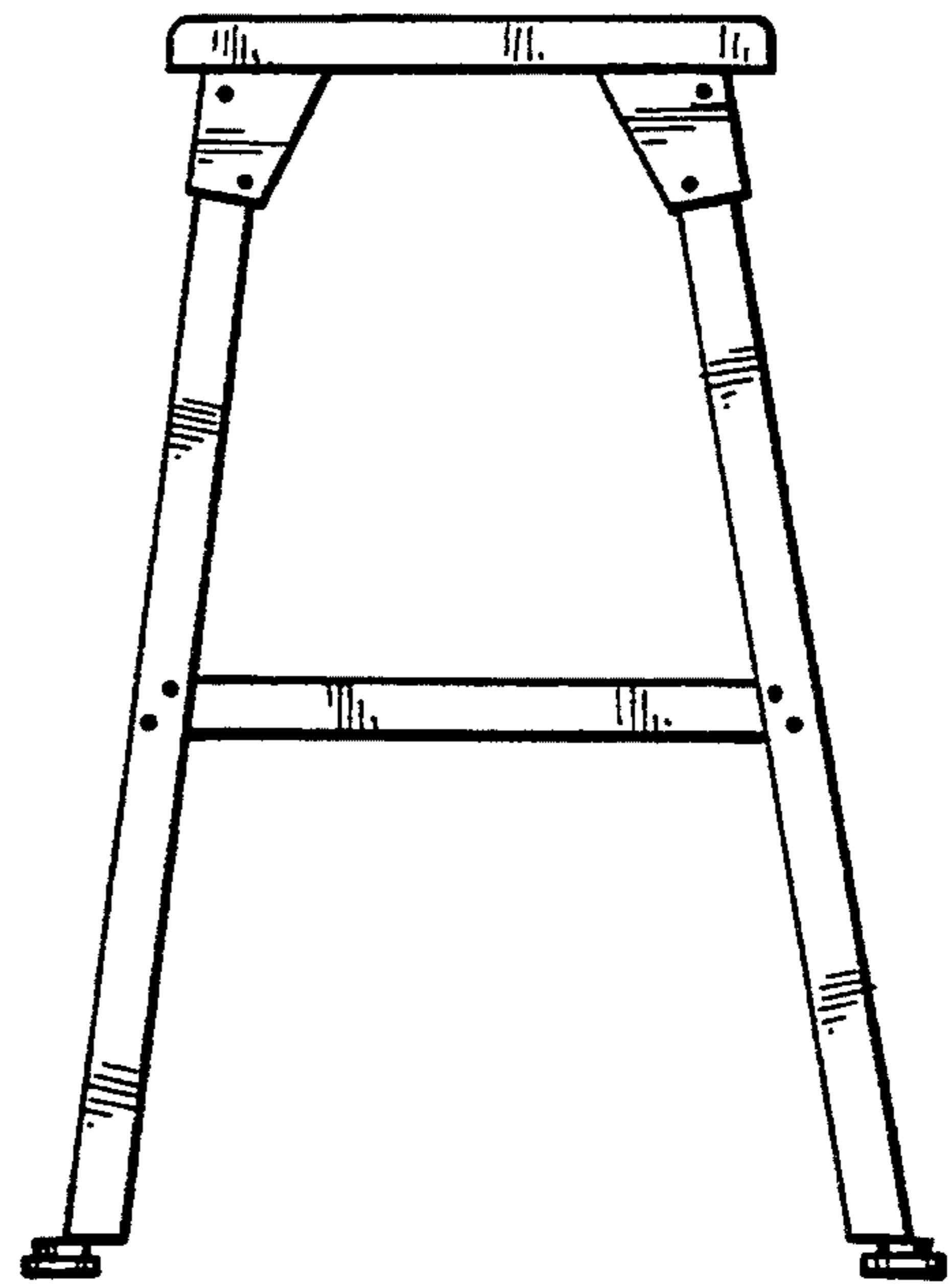


Fig-4

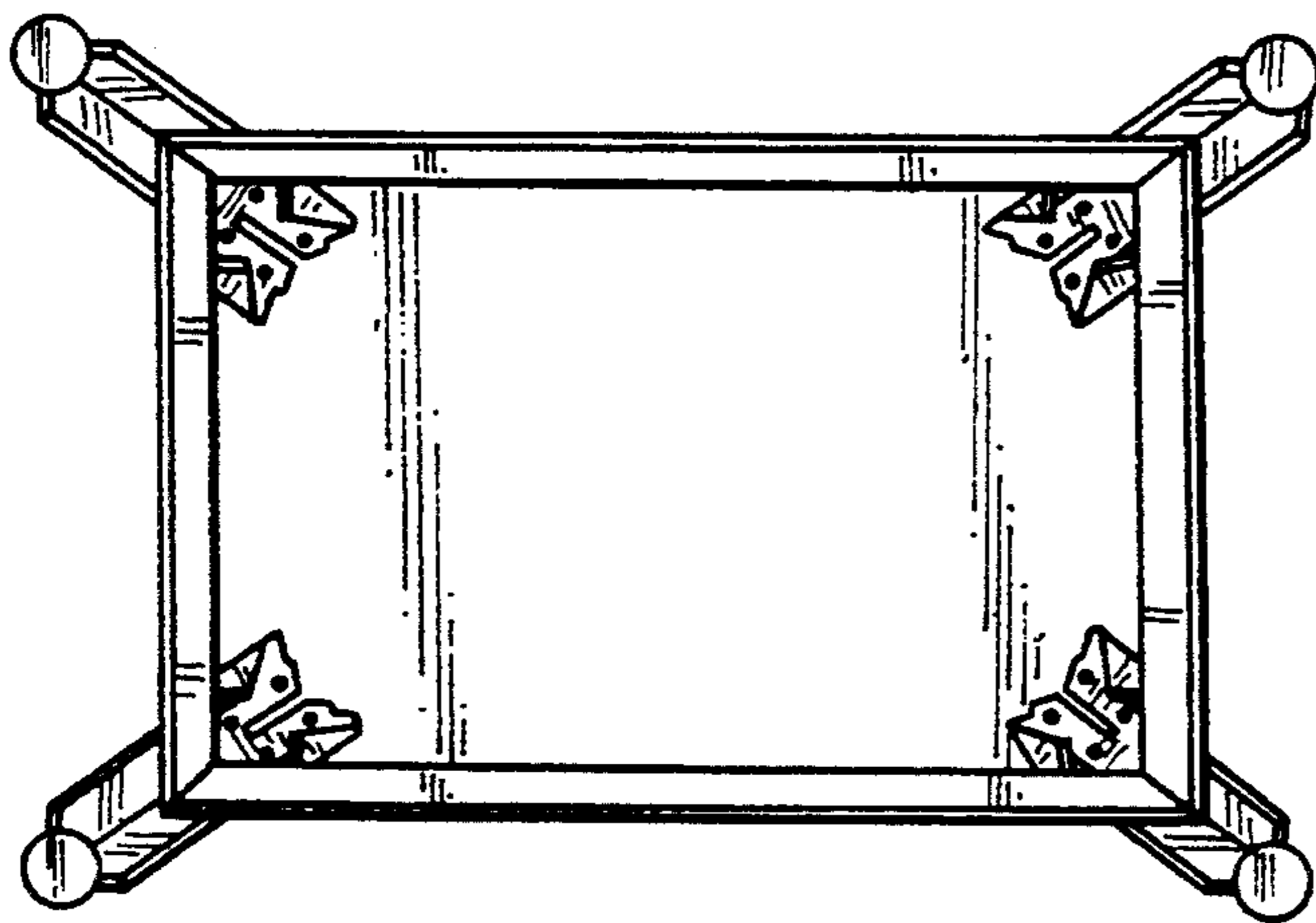


Fig-5