



US00D355544S

United States Patent [19]
Cartwright

[11] **Patent Number: Des. 355,544**
[45] **Date of Patent: ** Feb. 21, 1995**

[54] **MINIATURE BAR**

[76] **Inventor: Earl H. Cartwright, 2005 Taylor Dr.,
Olathe, Kans. 66062**

[**] **Term: 14 Years**

[21] **Appl. No.: 428**

[22] **Filed: Oct. 14, 1992**

[52] **U.S. Cl. D6/469**

[58] **Field of Search D6/449, 450, 451, 466,
D6/467, 469; D7/614, 705, 706, 707, 708, 701,
702, 703, 704; 211/13, 22, 28, 49.1**

[56] **References Cited**

U.S. PATENT DOCUMENTS

D. 87,170	6/1932	Philippi	D6/490 X
D. 106,682	10/1937	Desser	D7/706 X
D. 110,269	6/1938	Churchill	D6/475 X
D. 139,561	11/1944	Wentling	D7/705
D. 196,665	10/1963	Barnett	D7/701
D. 250,238	11/1978	Minsky	D6/469 X
D. 263,784	4/1982	Butler et al.	D7/708 X
D. 300,290	3/1989	Moberg	D7/701
D. 323,447	1/1992	Booz	D7/705
3,233,743	2/1966	Tirro	211/13

OTHER PUBLICATIONS

Gifts & Decorative Accessories Catalog, Aug. 1972 p. 133.

Primary Examiner—Alan P. Douglas
Assistant Examiner—S. Snapp

[57] **CLAIM**

The ornamental design for a miniature bar, as shown and described.

DESCRIPTION

FIG. 1 is a top, front, left side perspective view of a four-bottle miniature bar, showing my new design; the broken lines indicating bottles, and ice cube container and ice cubes are shown for illustrative purposes only and do not form any part of the claimed design;

FIG. 2 is a left side elevational view thereof, the right side being a mirror image thereof;

FIG. 3 is a rear elevational view thereof;

FIG. 4 is a top, front, left side perspective view of a three-bottle miniature bar, showing a first modified or alternative embodiment of my new design;

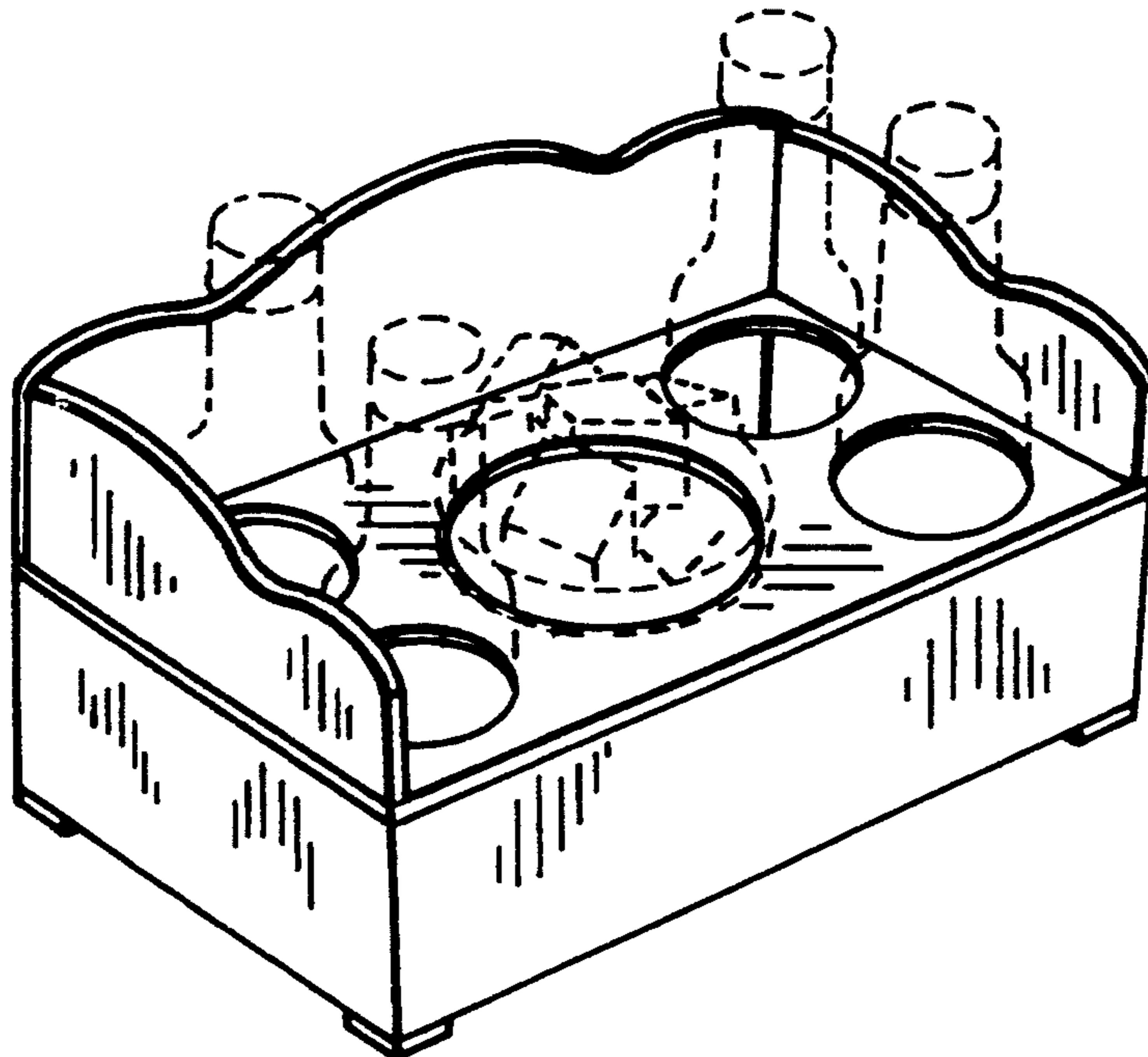
FIG. 5 is a right side elevational view thereof, the left side being a mirror image thereof;

FIG. 6 is a rear elevational view thereof;

FIG. 7 is a top, front, left side perspective view of a two-bottle miniature bar, showing a second modified or alternative embodiment of my new design;

FIG. 8 is a right side elevational view thereof, the left side being a mirror image thereof; and,

FIG. 9 is a rear elevational view thereof.



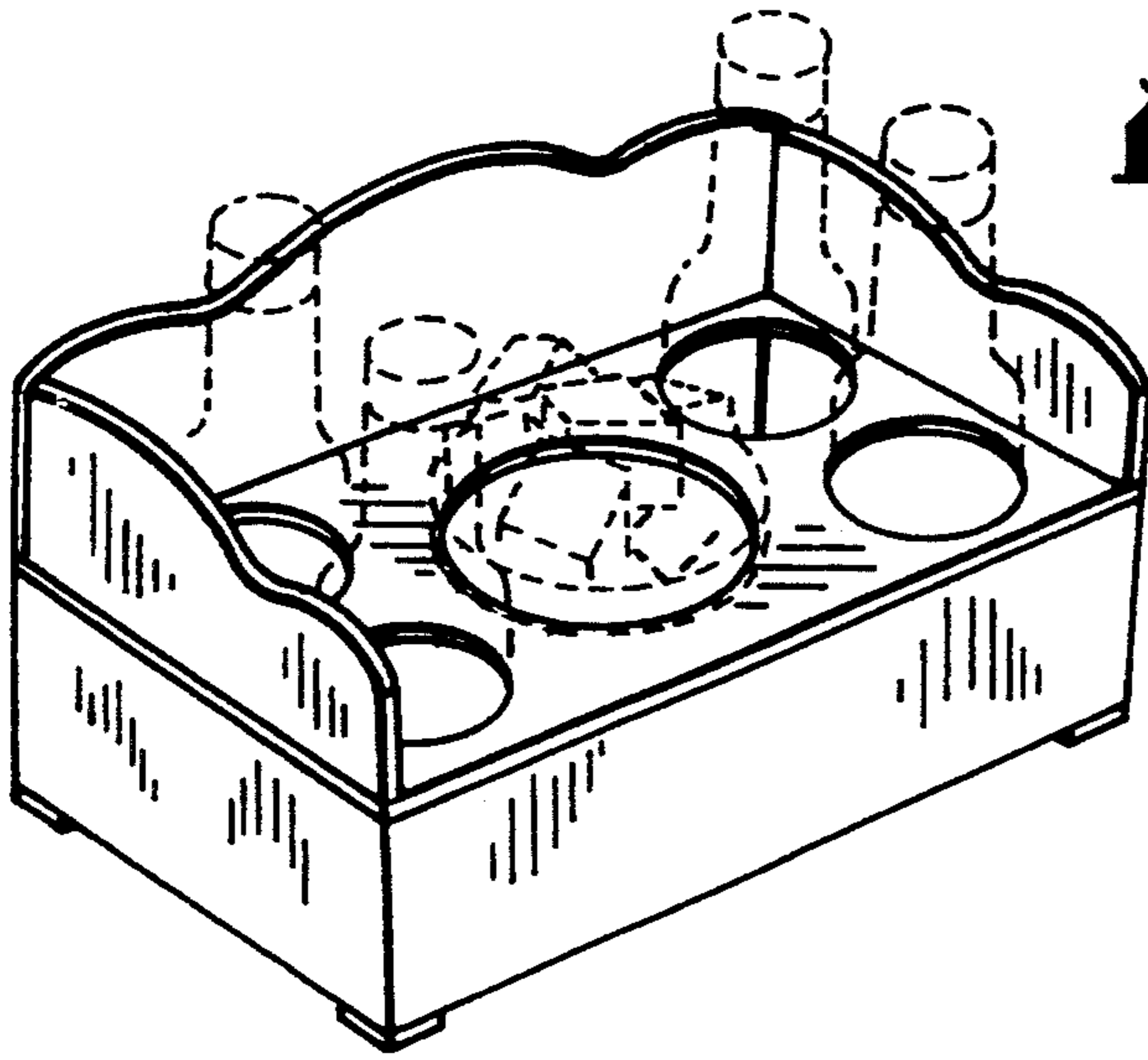


Fig. 1.

Fig. 2.

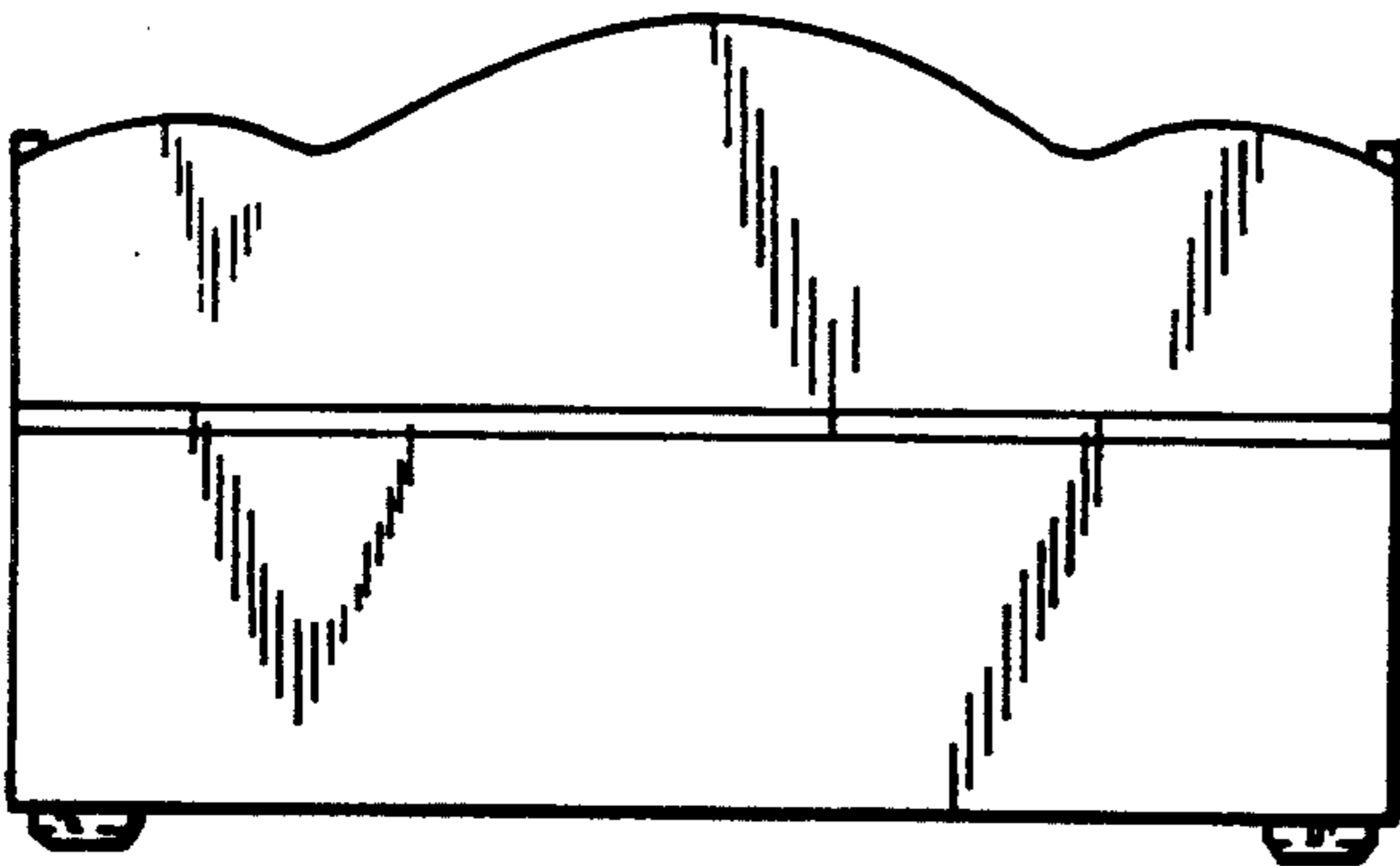
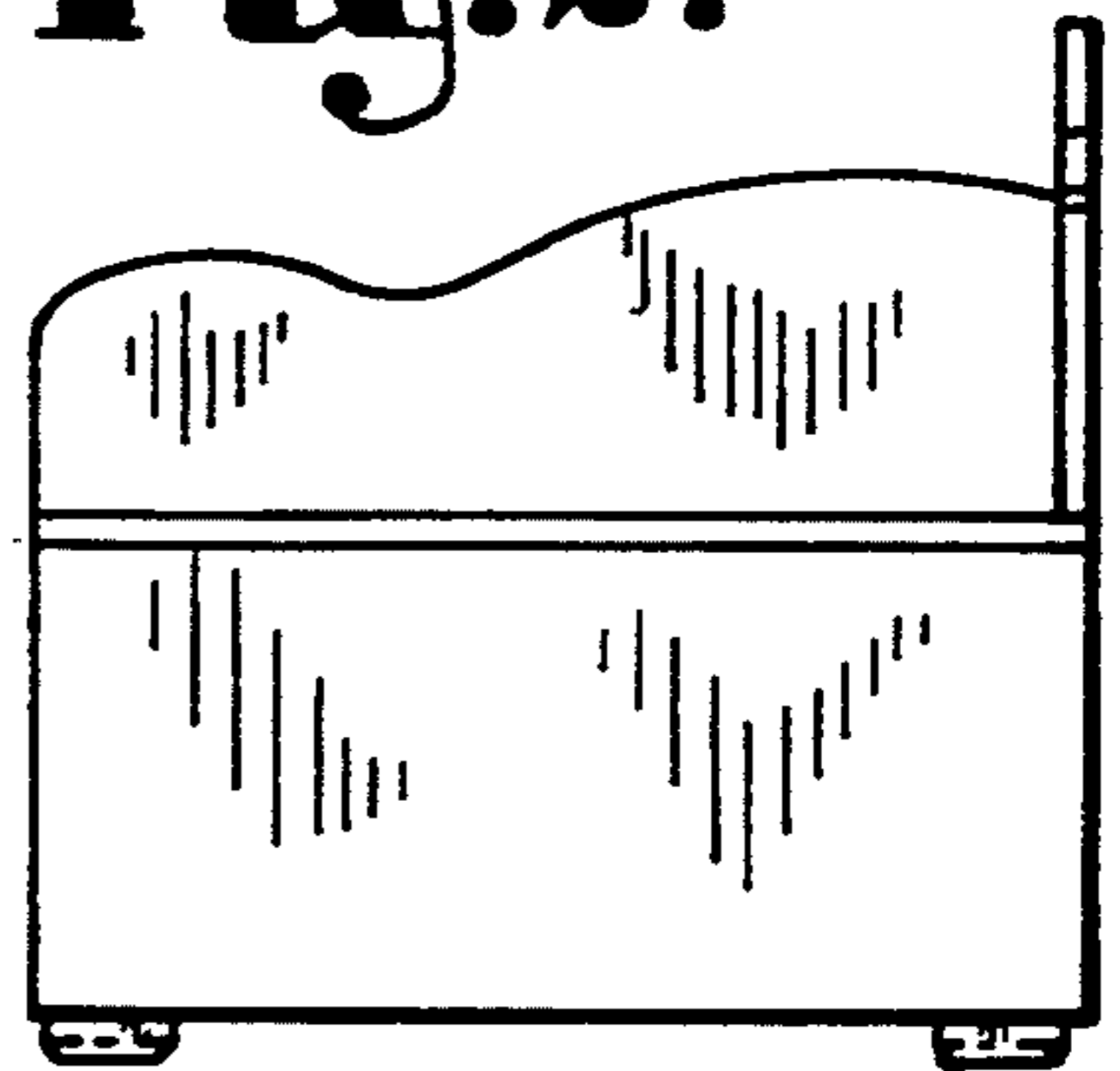


Fig. 3.

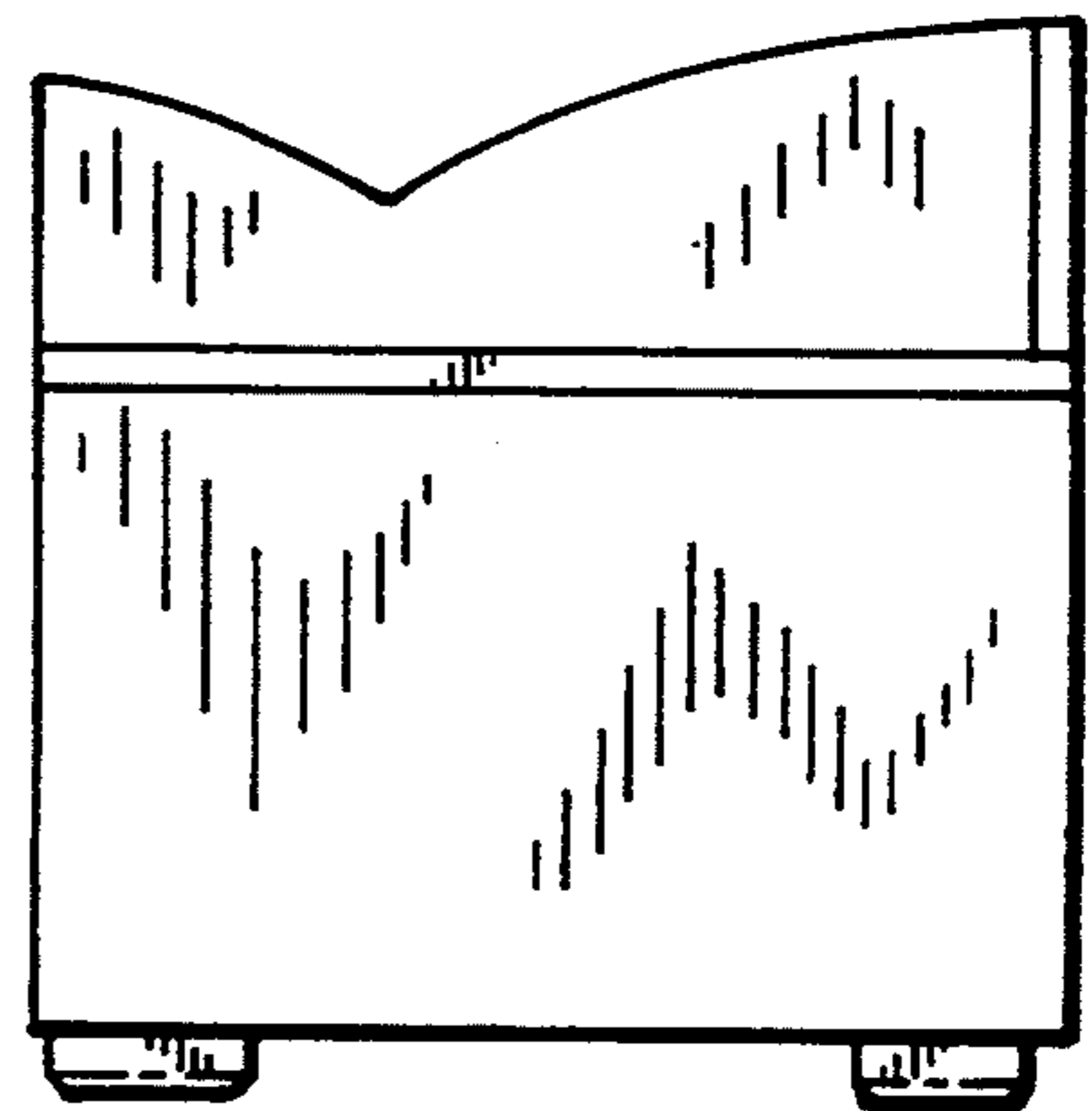


Fig. 5.

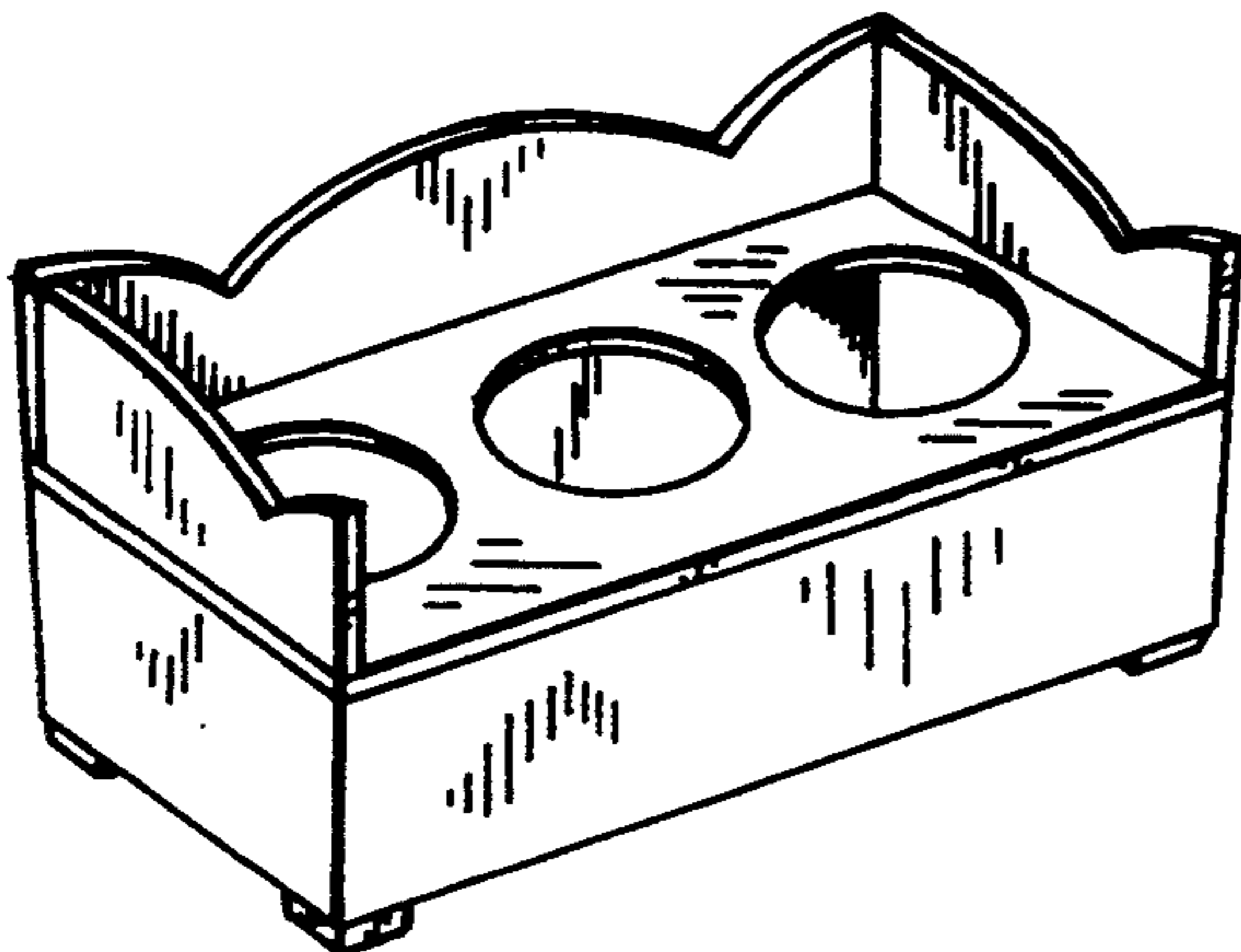


Fig. 4.

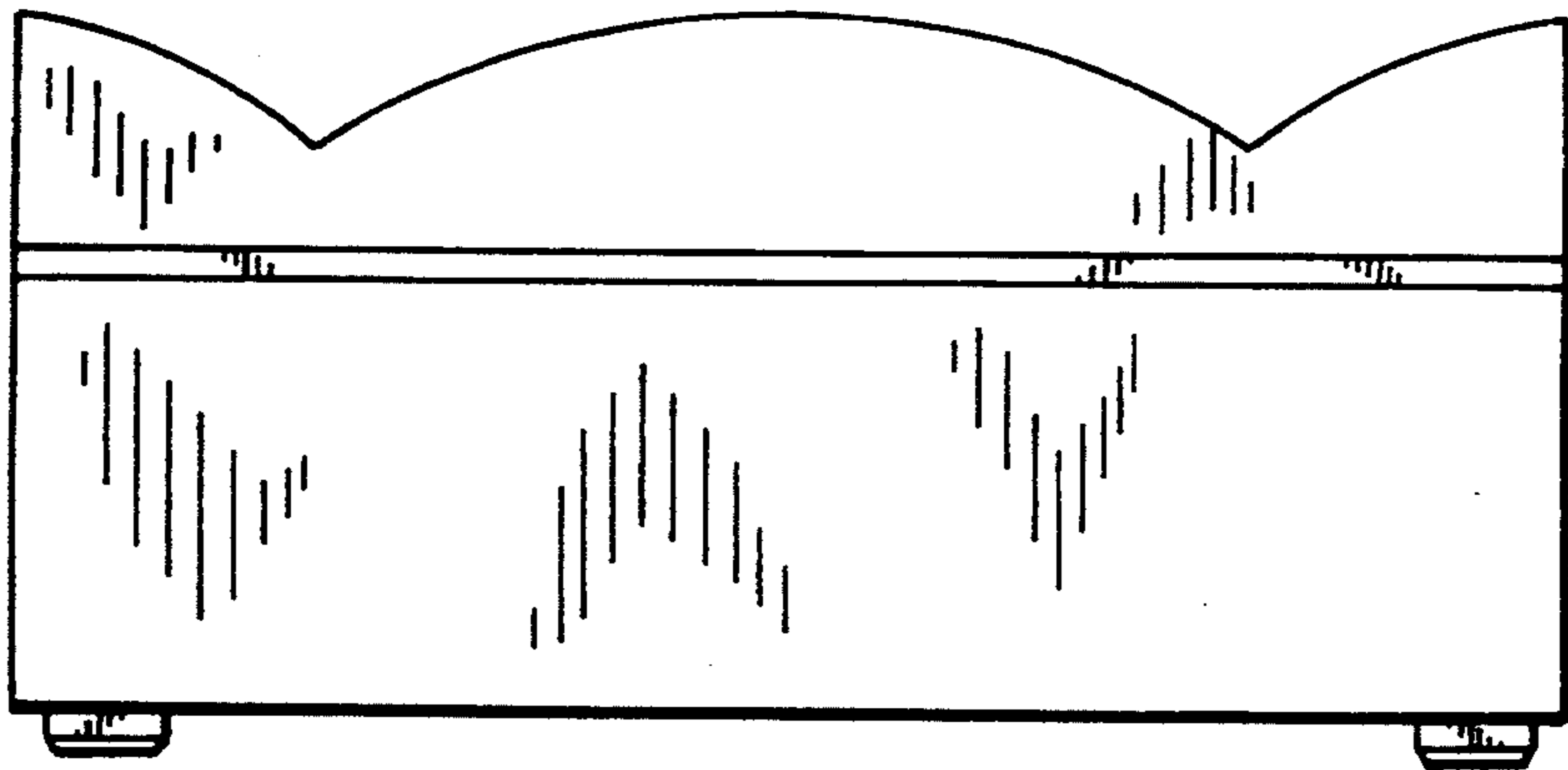


Fig. 6.

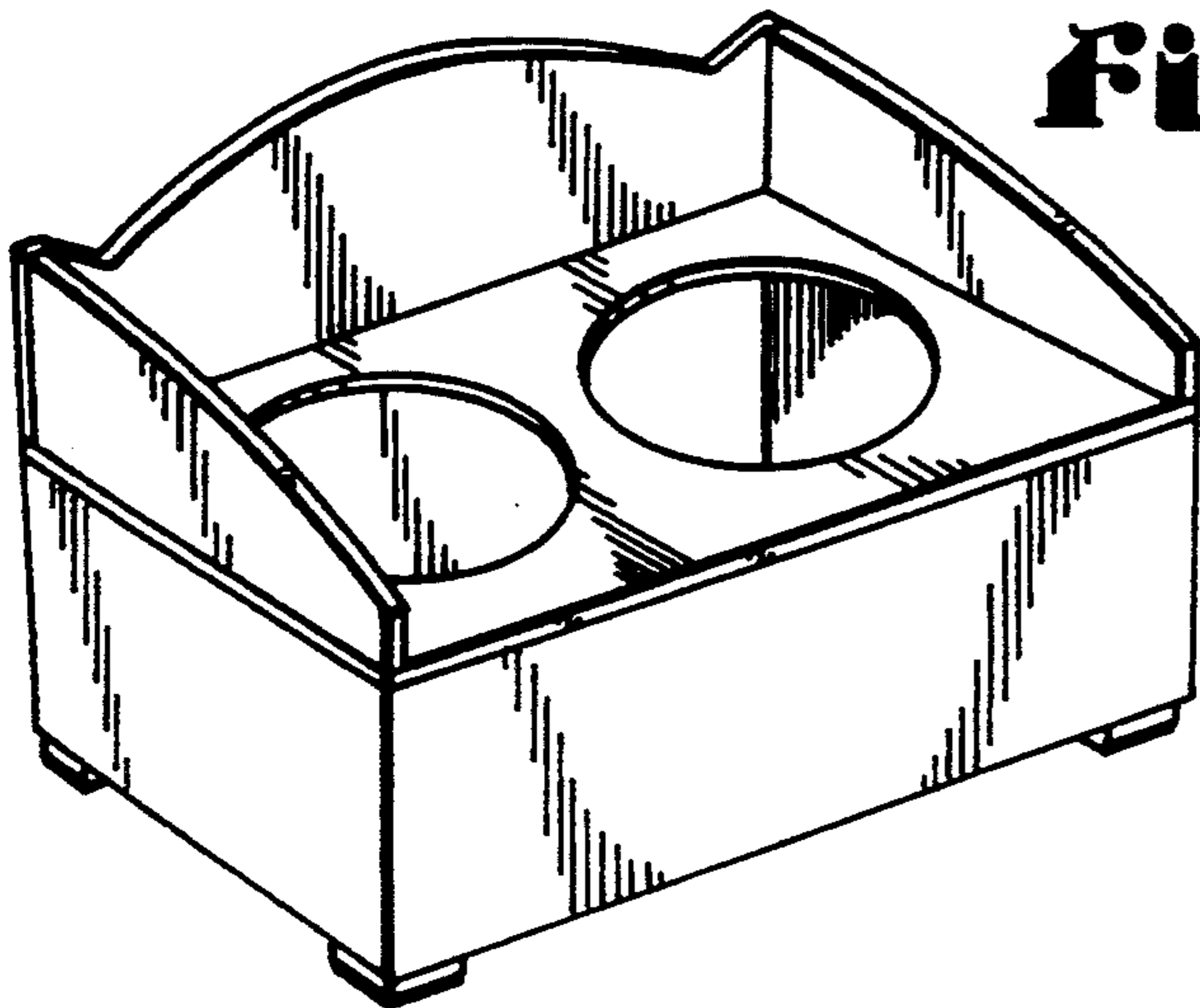


Fig. 7.

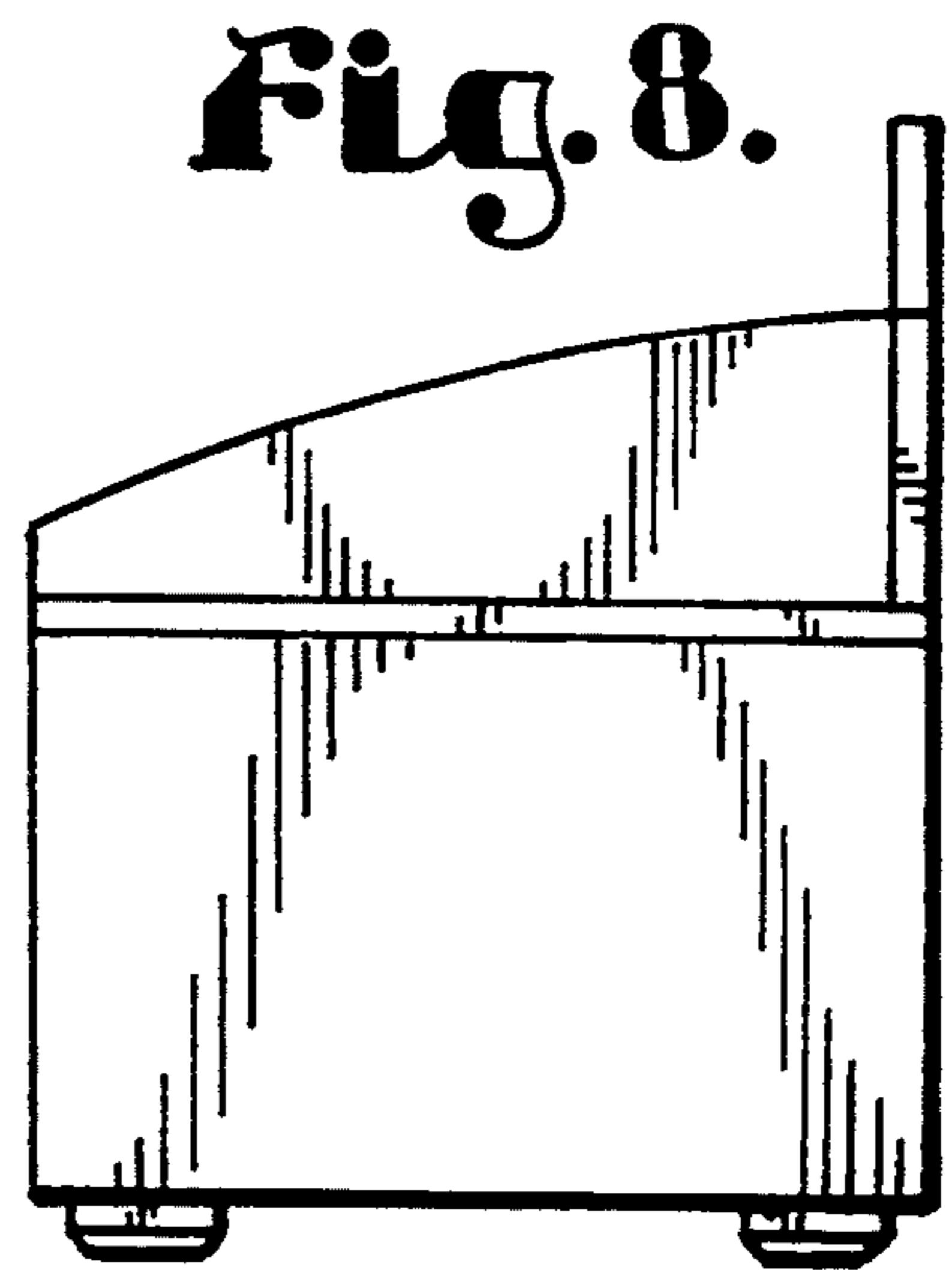


Fig. 8.

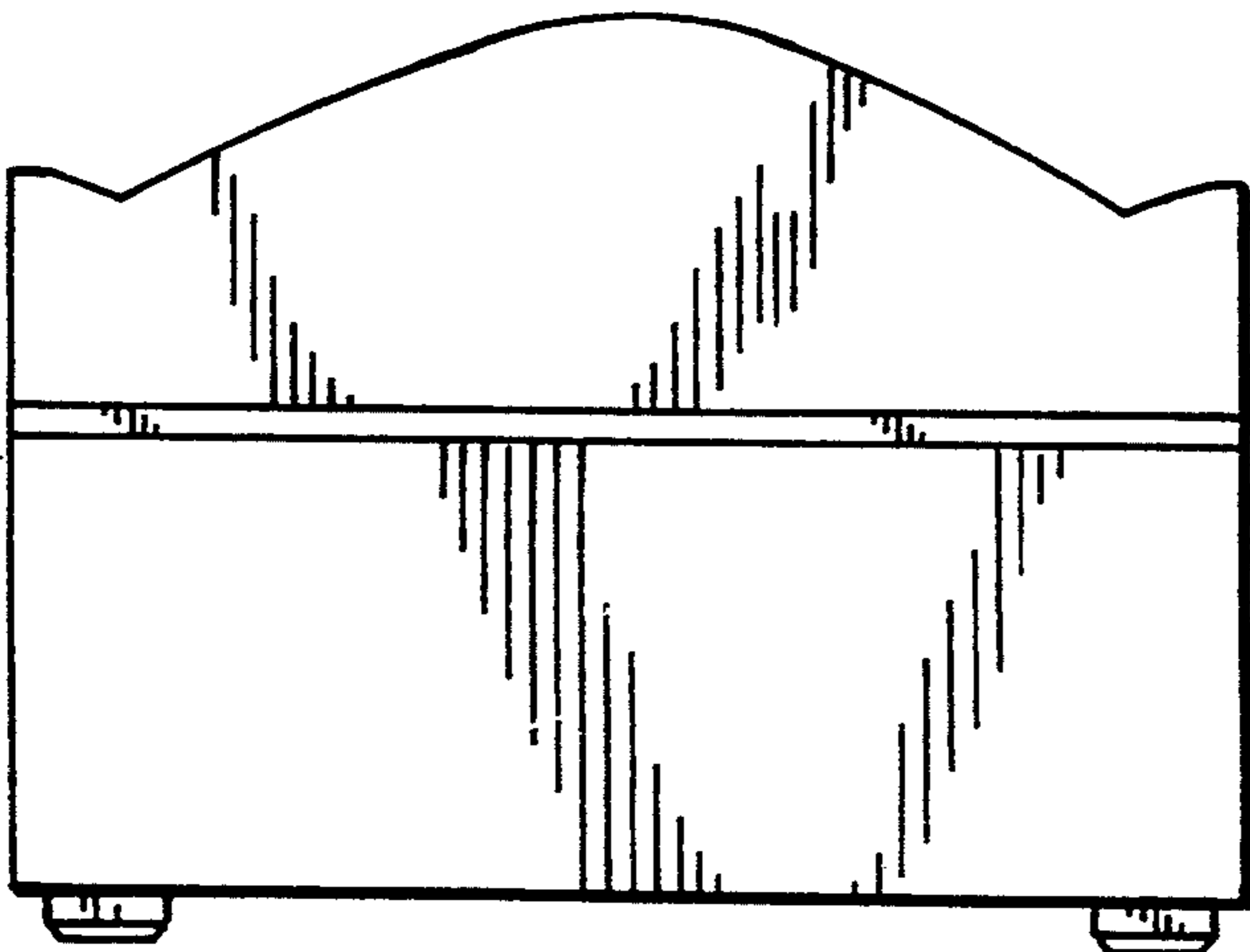


Fig. 9.