



US00D355529S

United States Patent [19]

[11] Patent Number: **Des. 355,529**

Tsai

[45] Date of Patent: **** Feb. 21, 1995**

[54] **COMBINED BRUSH ICE SCRAPER, SQUEEGEE, AND FLUID DISPENSER**

4,281,433 8/1981 Sendoykas 15/105
4,778,301 10/1988 Sicotte 401/139

[76] Inventor: **Cheng-Hsien Tsai**, No. 103, Da-Ming 1st Rd., Tien-Tzu Hsiang, Taichung Hsien, Taiwan, Prov. of China

Primary Examiner—Wallace R. Burke
Assistant Examiner—Lavone D. Tabor
Attorney, Agent, or Firm—Jacobson, Price, Holman & Stern

[**] Term: **14 Years**

[21] Appl. No.: **800,967**

[22] Filed: **Dec. 2, 1991**

[52] U.S. Cl. **D4/118; D4/114; D32/42; D32/45; D9/338**

[58] Field of Search **D4/114, 116, 118, 129; D32/40-42, 45; 15/104.92, 105, 111, 117, 236.01, 236.02, 236.05, 236.08; 401/16, 22, 24-25, 27, 37, 39, 137, 139**

[57] **CLAIM**

The ornamental design for a combined brush, ice scraper, squeegee, and fluid dispenser, as shown and described.

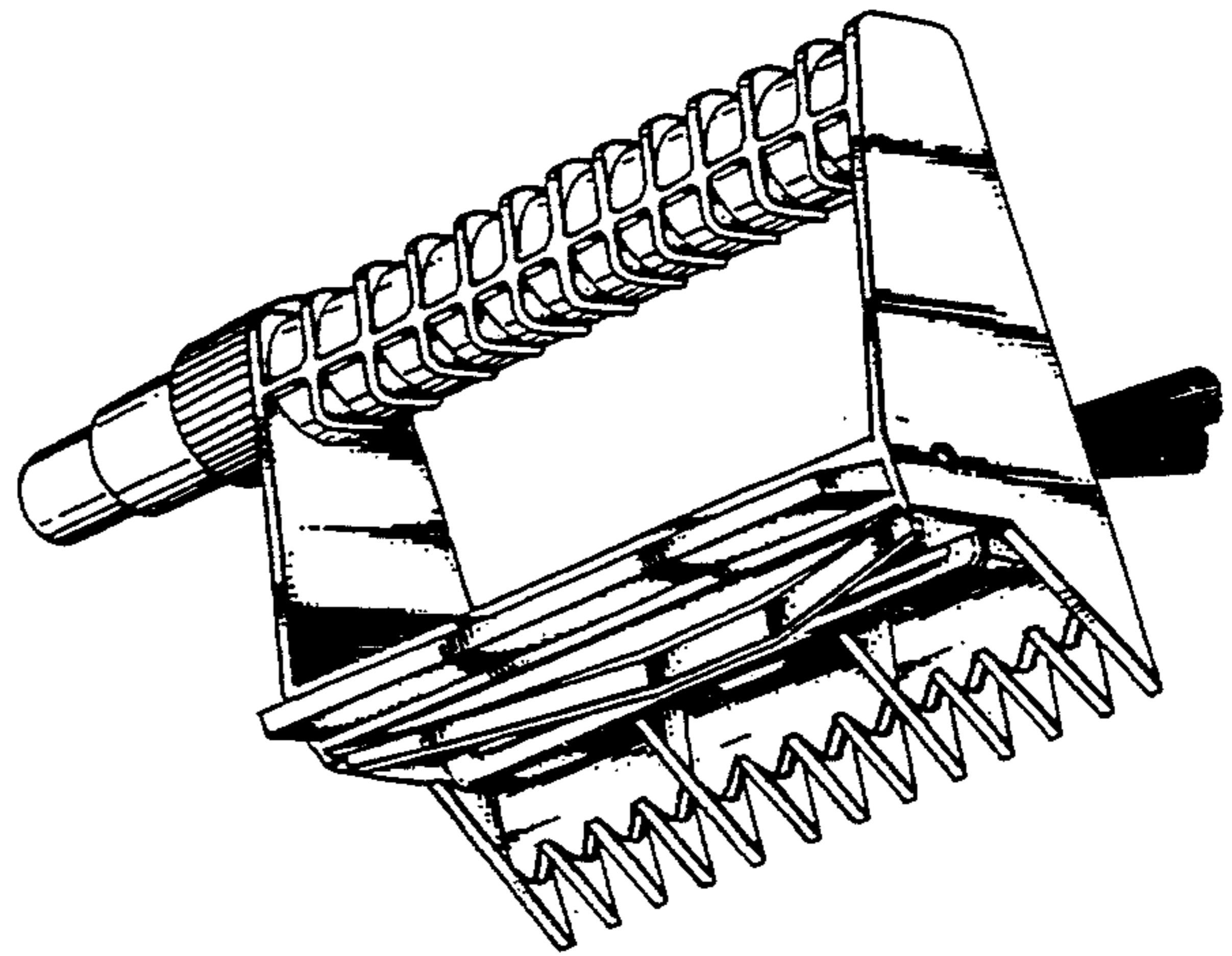
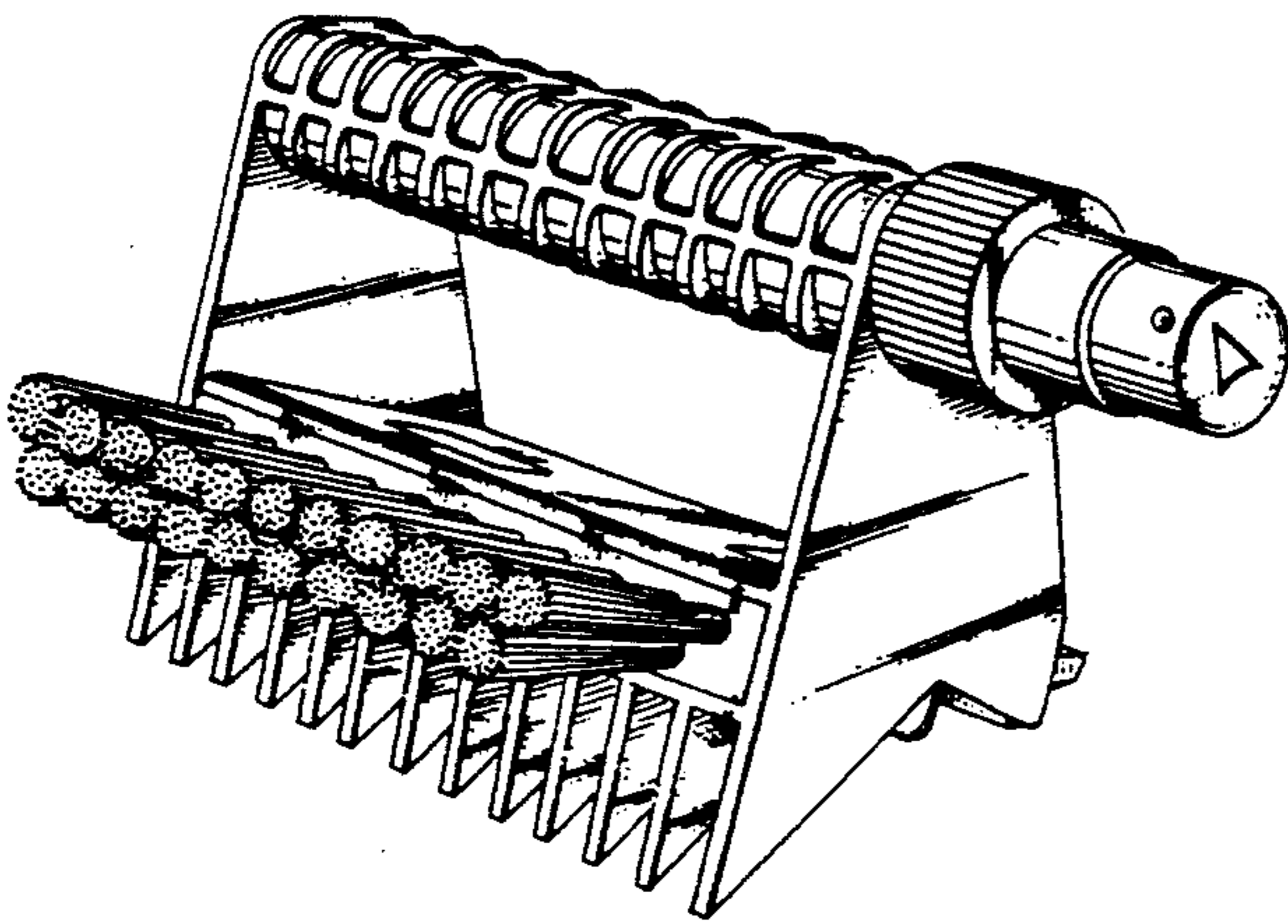
DESCRIPTION

FIG. 1 is a front and top perspective view of a combined brush, ice scraper, squeegee, and fluid dispenser showing my new design;
FIG. 2 is a front elevational view thereof;
FIG. 3 is a rear elevational view thereof;
FIG. 4 is a left side elevational view thereof;
FIG. 5 is a right side elevational view thereof;
FIG. 6 is a top plan view thereof;
FIG. 7 is a bottom plan view thereof; and,
FIG. 8 is a bottom perspective view thereof.

[56] **References Cited**

U.S. PATENT DOCUMENTS

| | | | | |
|------------|---------|-----------|-------|----------|
| D. 166,812 | 5/1952 | Lustbader | | D32/42 X |
| D. 282,604 | 2/1986 | Whitaker | | D4/118 |
| D. 308,139 | 5/1990 | Viner | | D4/118 |
| 2,856,622 | 10/1958 | Jacobsen | | 15/105 |



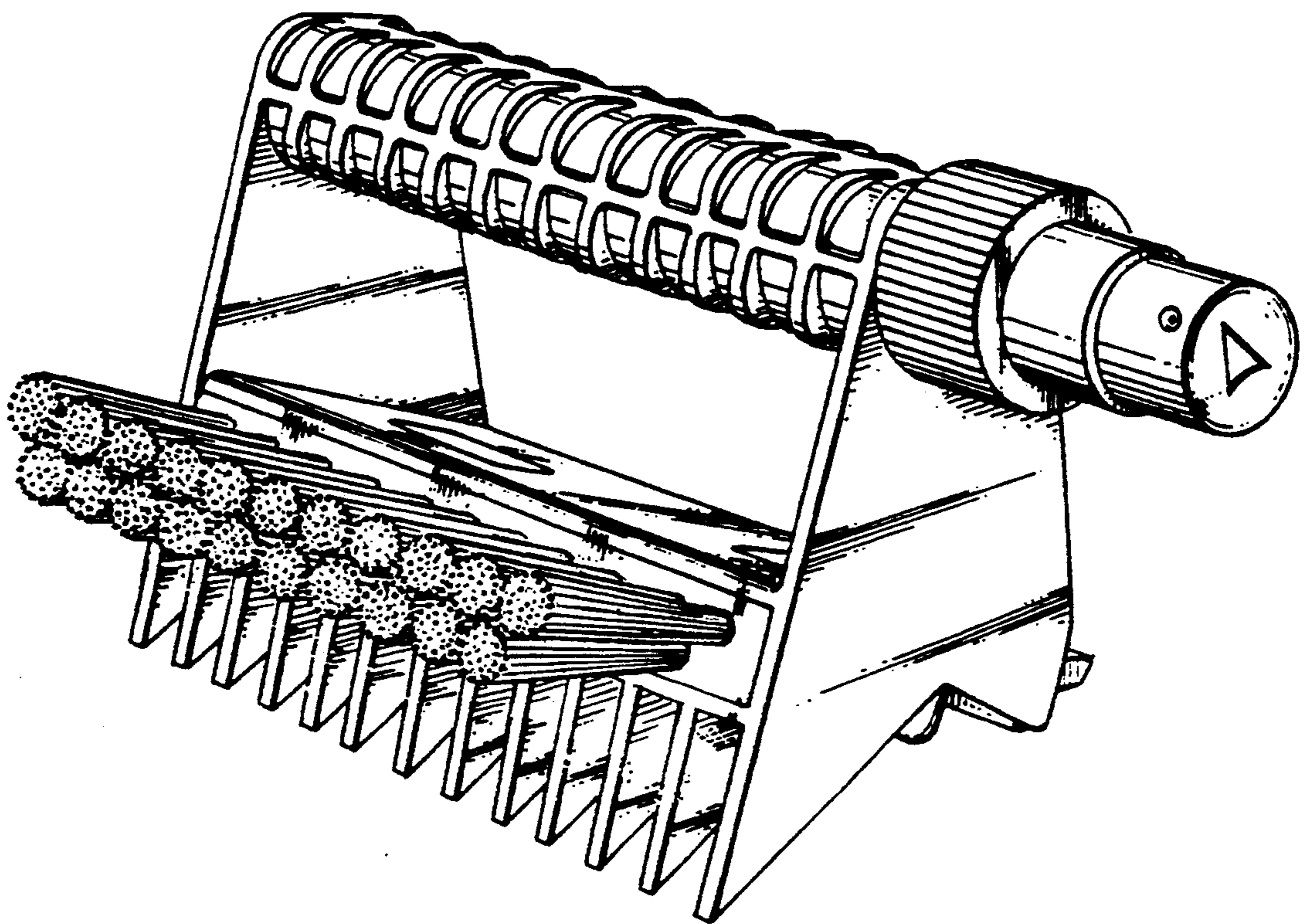


FIG. 1

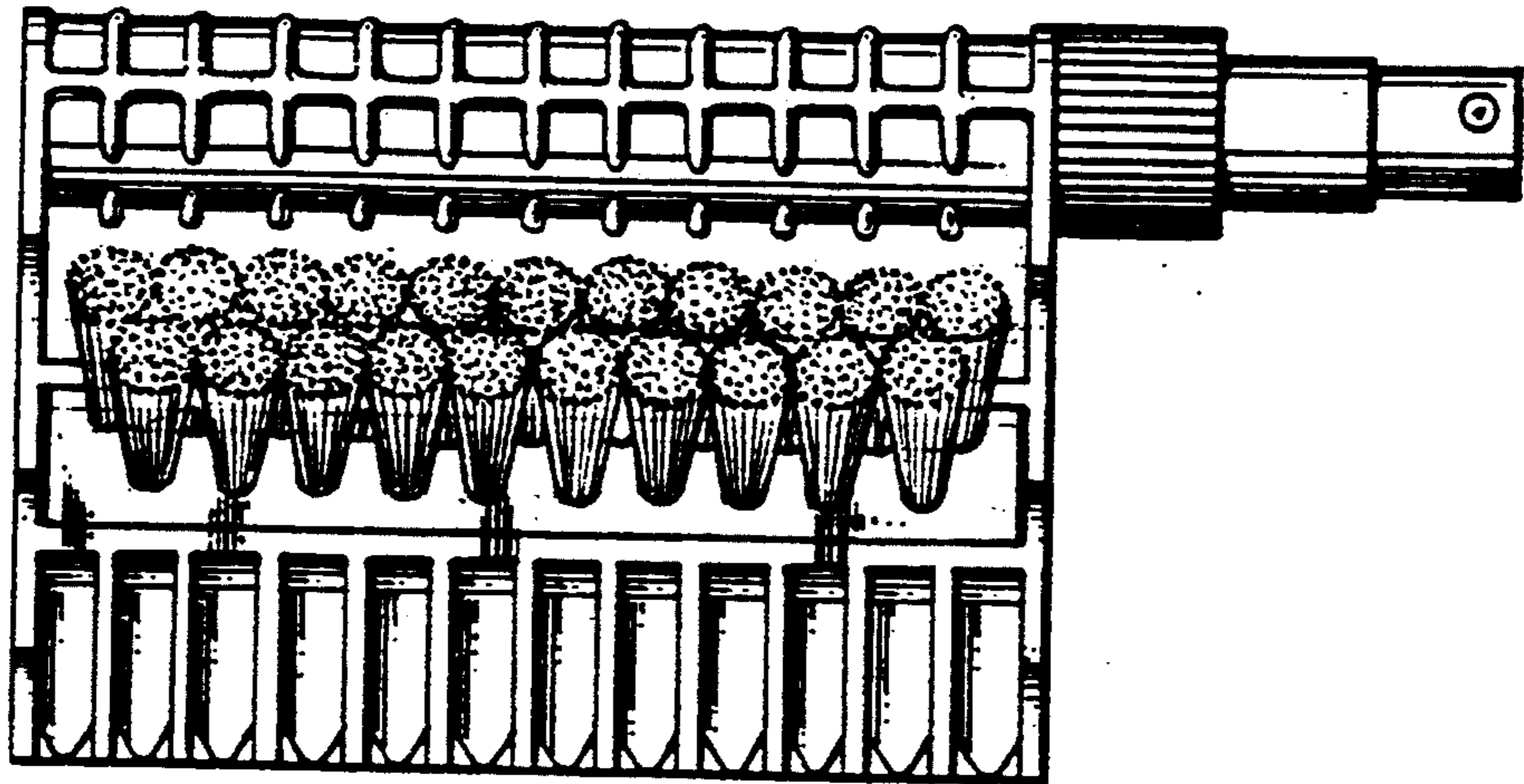


FIG. 2

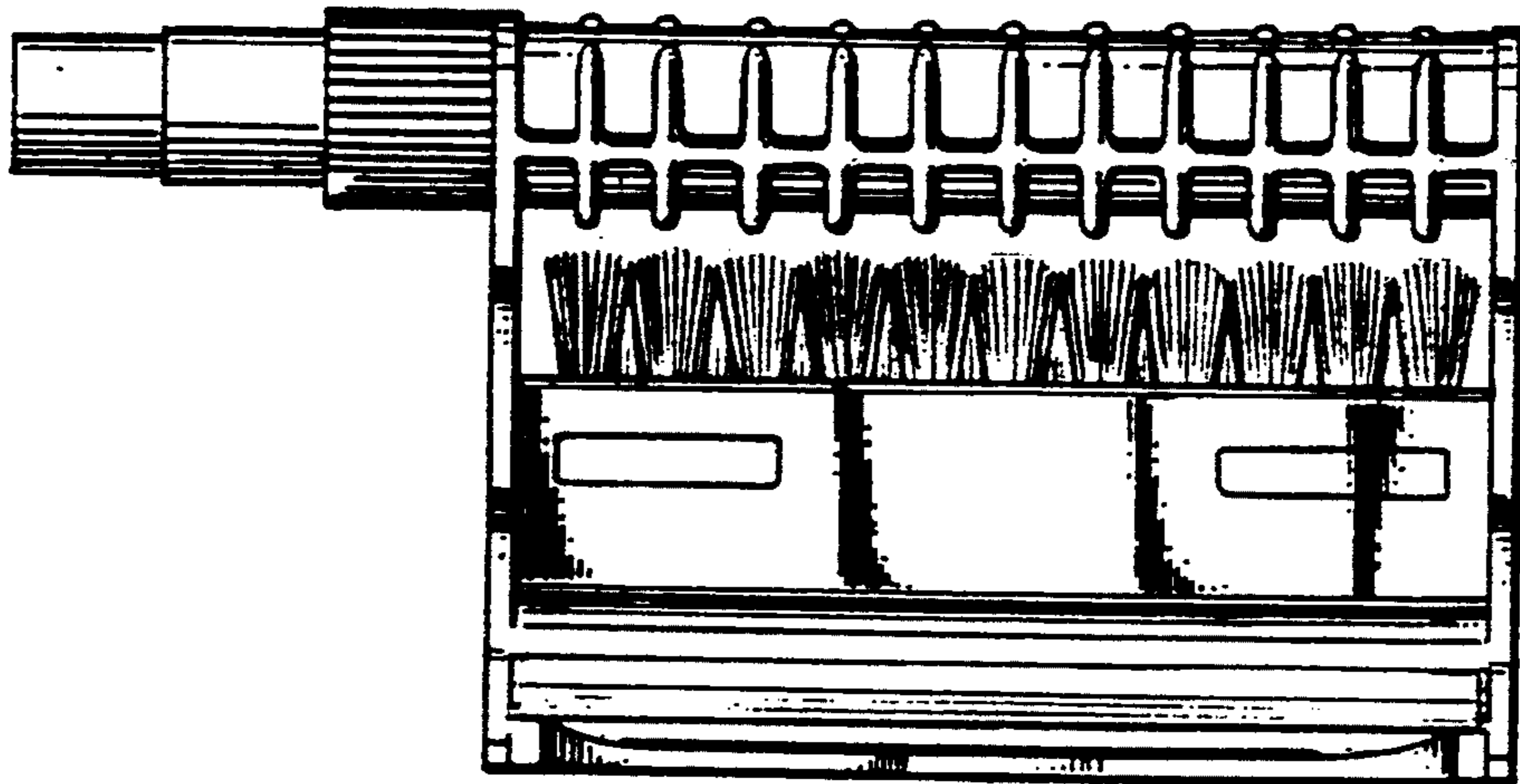


FIG. 3

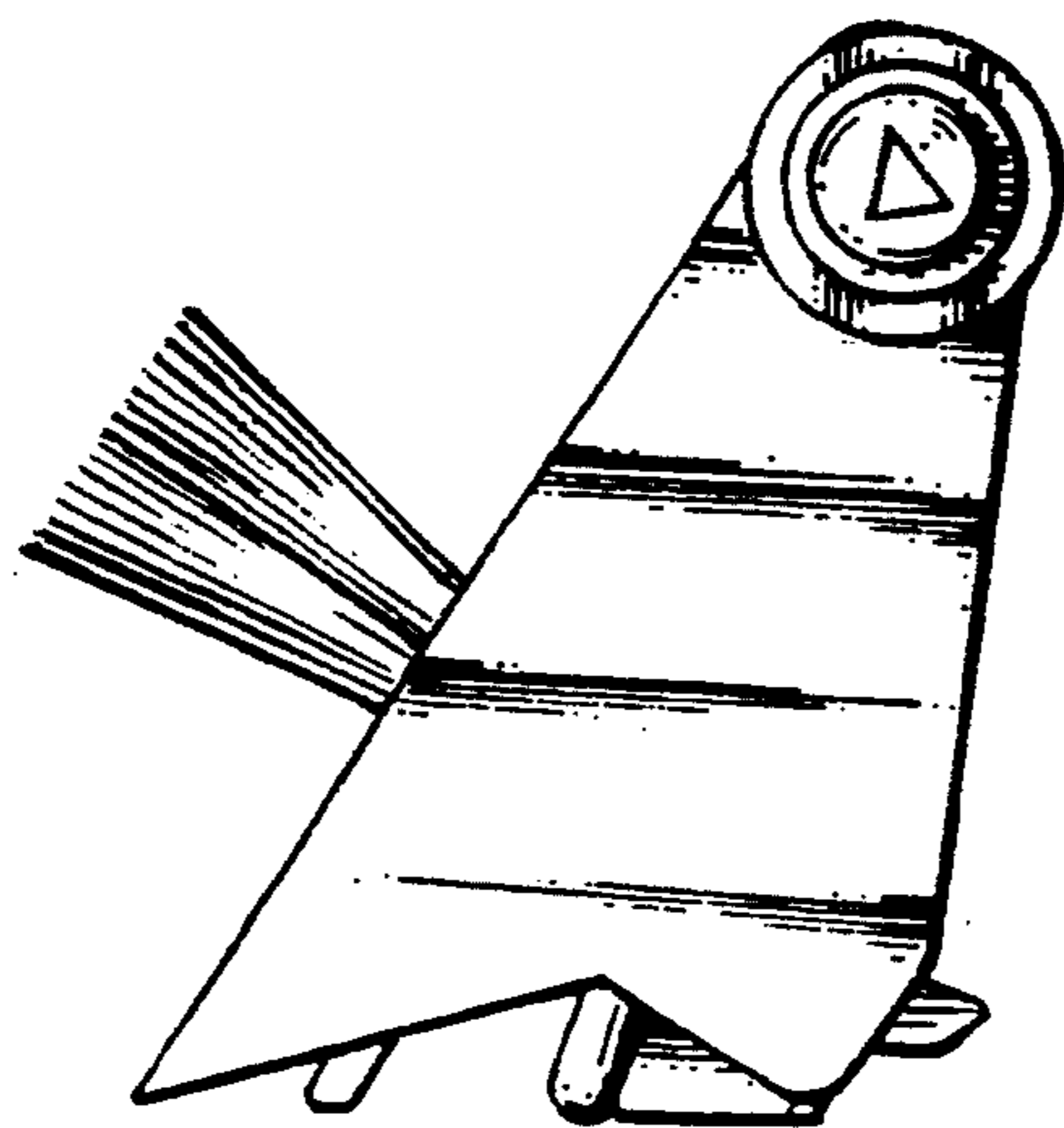


FIG. 5

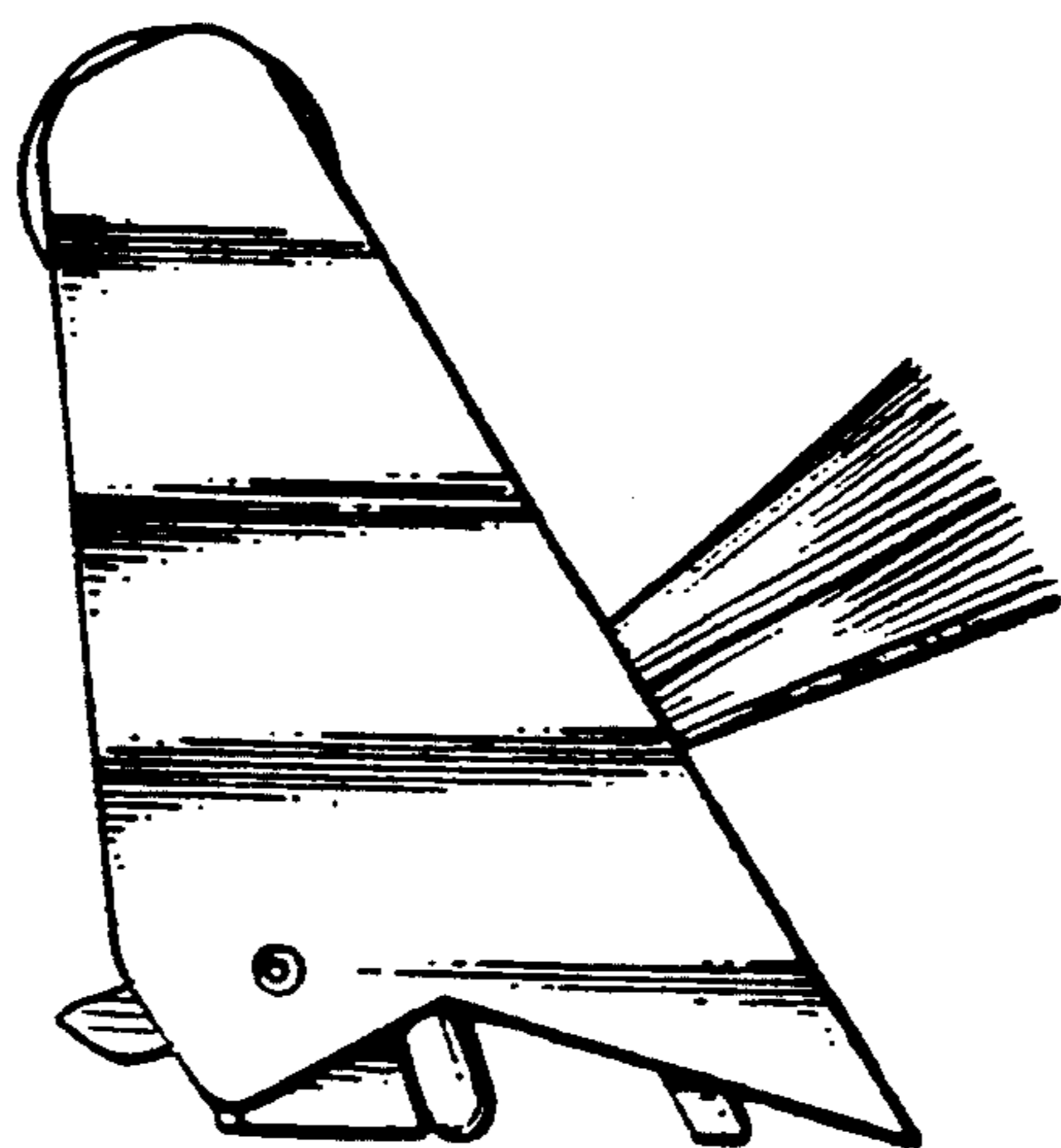


FIG. 4

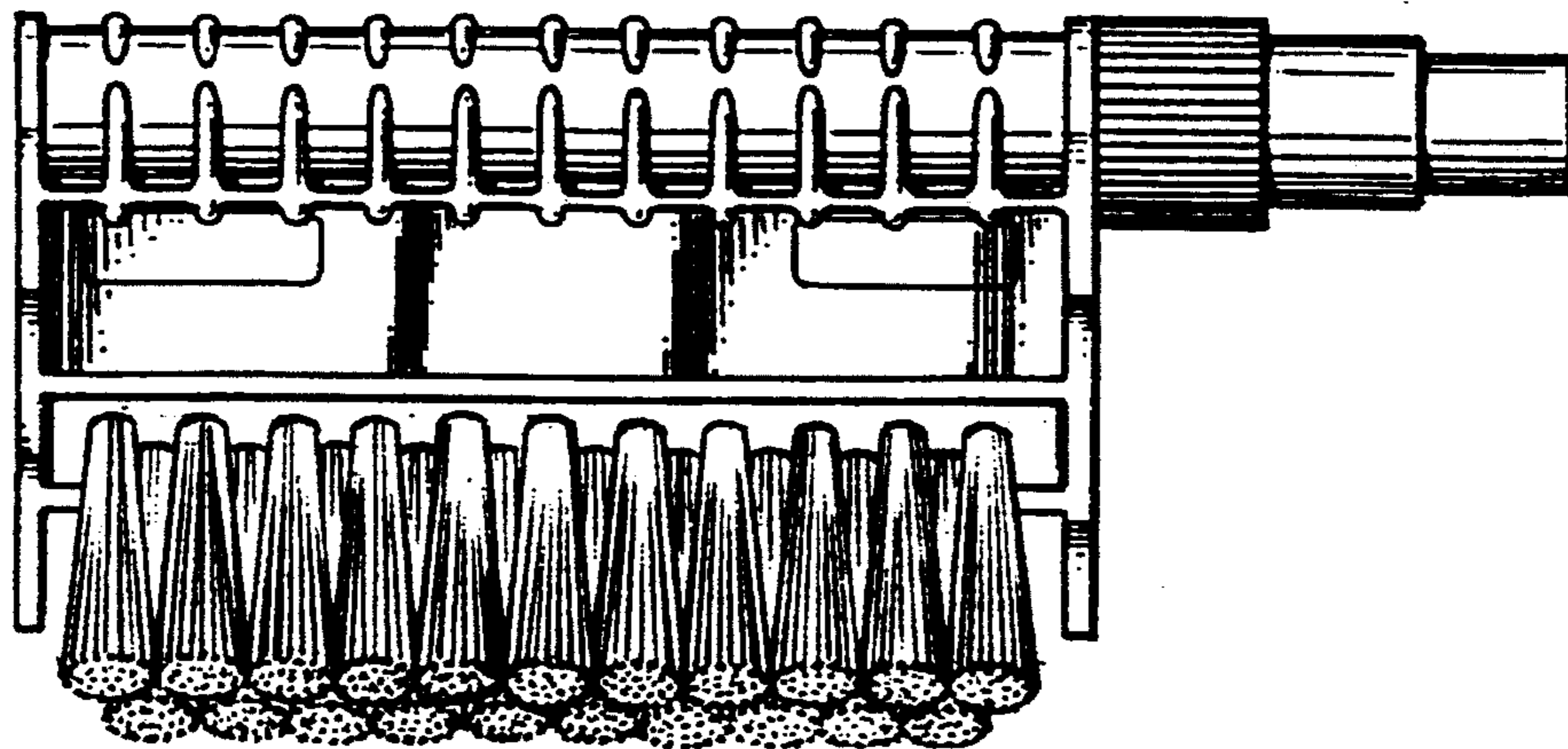


FIG. 6

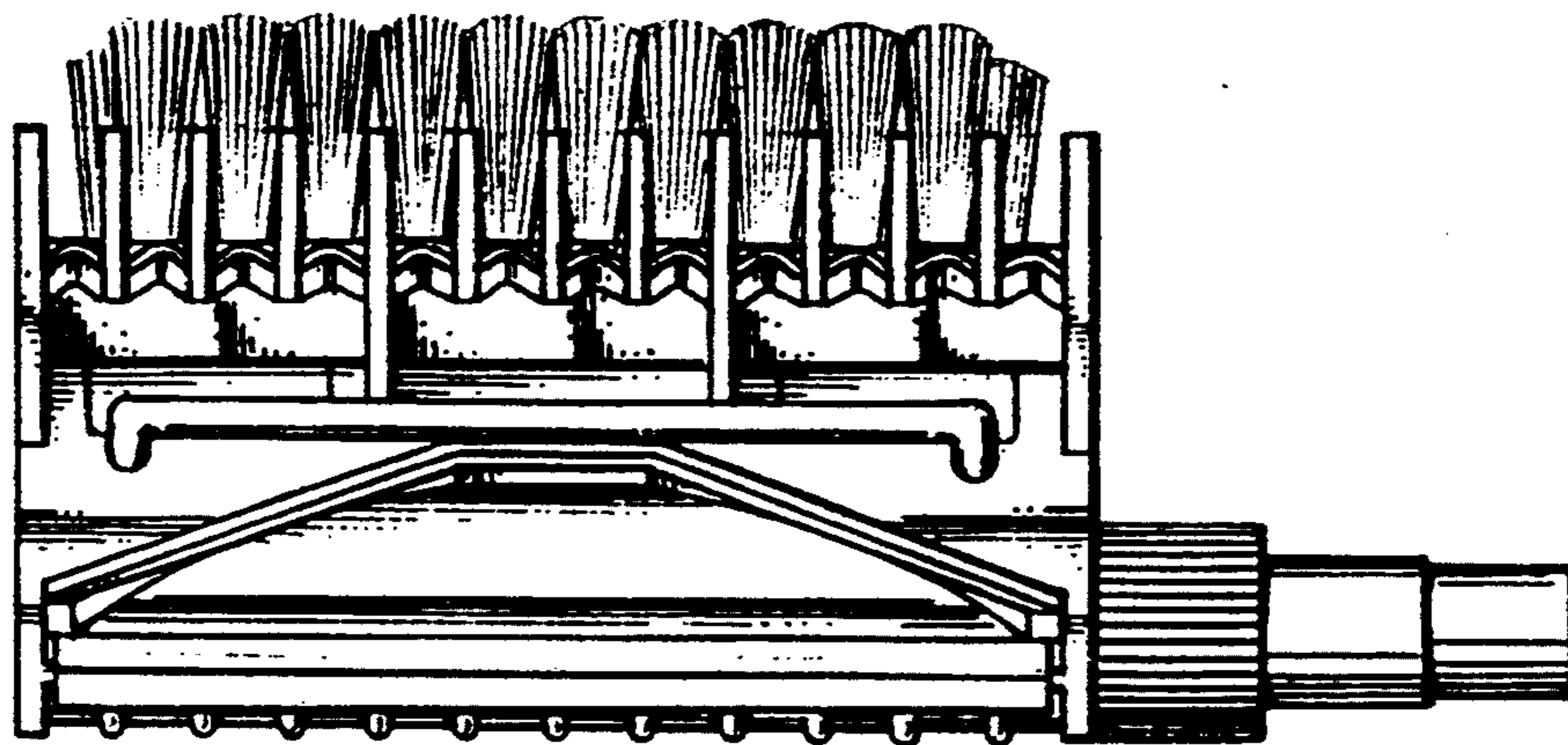
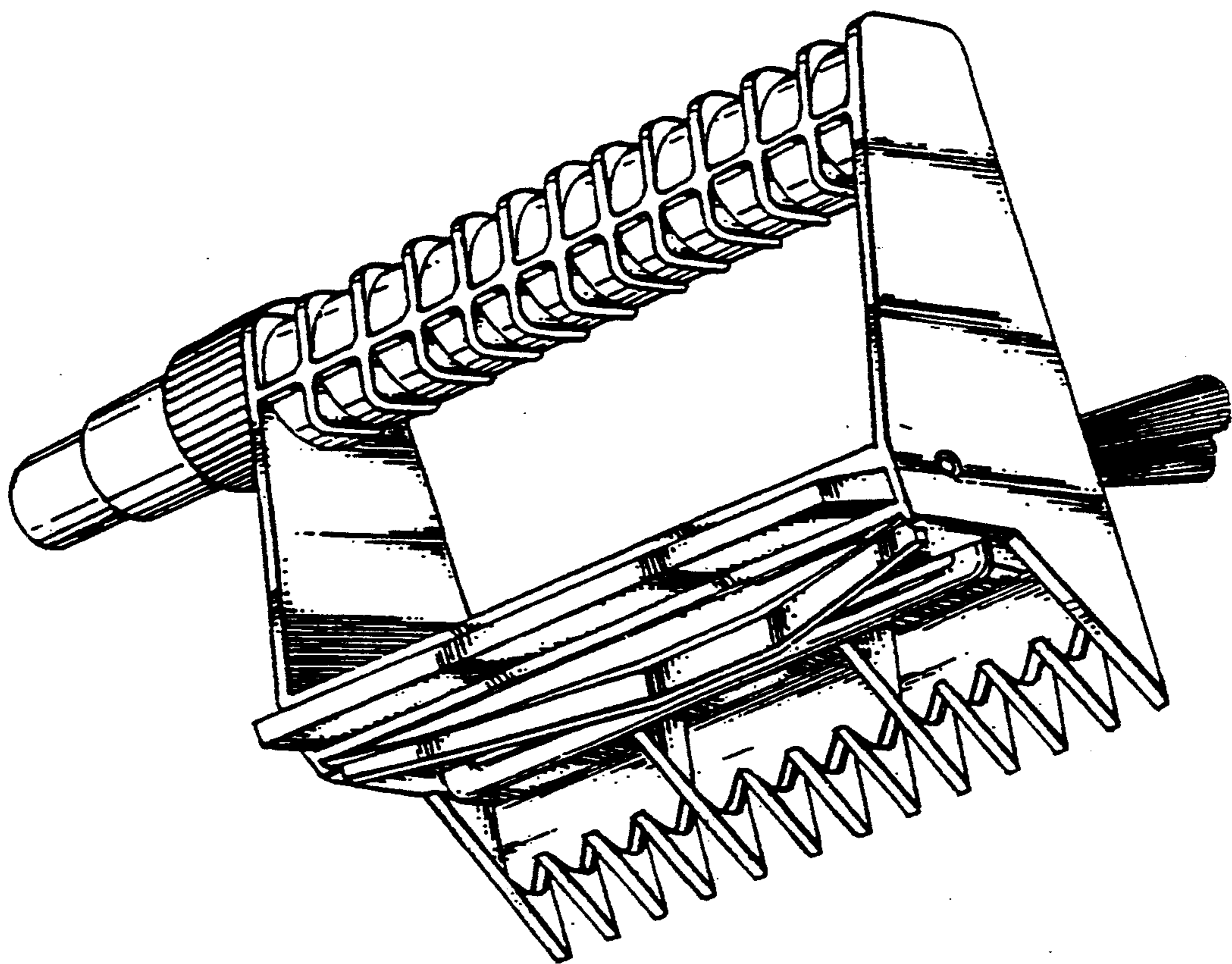


FIG. 7



Fig,8