



US00D355517S

United States Patent [19]

Campbell et al.

[11] Patent Number: **Des. 355,517**

[45] Date of Patent: **** Feb. 14, 1995**

[54] **MEAL DELIVERY CART**

[75] Inventors: **Argyle Campbell**, Newport Beach;
Larry D. Maddux, Westminster, both
of Calif.

[73] Assignee: **Cambro Manufacturing Co.**,
Huntington Beach, Calif.

[**] Term: **14 Years**

[21] Appl. No.: **22,138**

[22] Filed: **May 2, 1994**

[52] U.S. Cl. **D34/20; D34/19;**
D6/436

[58] Field of Search **D34/12, 17, 19, 20,**
D34/21; D6/447, 446, 445, 436; D7/347;
312/116, 236, 279; 280/47.35, 79.3

[56] **References Cited**

U.S. PATENT DOCUMENTS

D. 267,994 2/1983 Luzich D6/436

D. 283,589 4/1986 Erlandson et al. D6/436
D. 335,566 5/1993 Spriggs et al. D34/14
D. 336,706 6/1993 Lechman et al. D34/20
D. 349,594 8/1994 Bonazza D34/20

Primary Examiner—**Kay H. Chin**

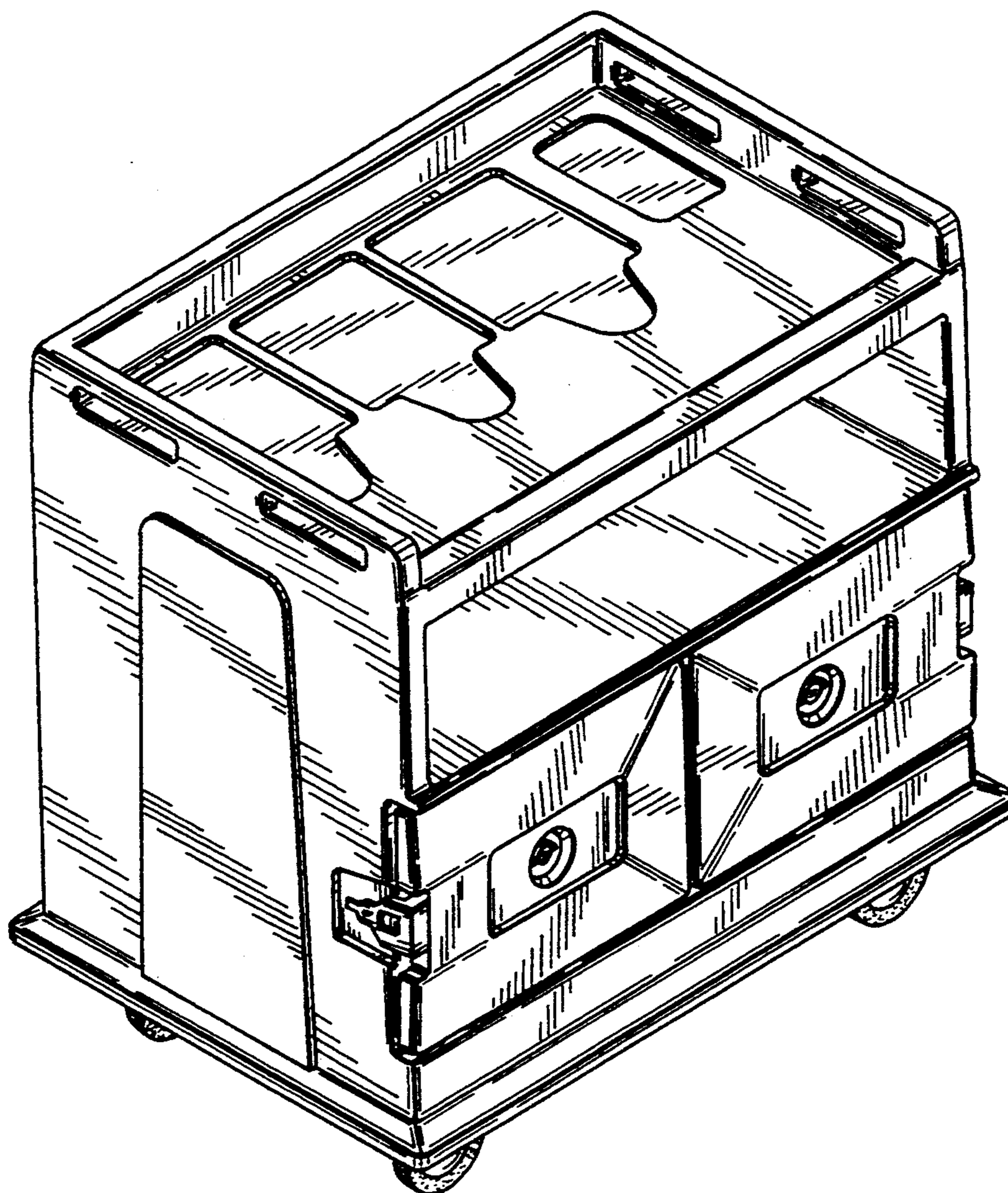
Attorney, Agent, or Firm—**George F. Bethel; Patience
K. Bethel**

[57] **CLAIM**

The ornamental design for a meal delivery cart, as
shown and described.

DESCRIPTION

FIG. 1 is a top and front perspective view of a meal
delivery cart showing our new design;
FIG. 2 is a front elevational view thereof;
FIG. 3 is a left side elevational view thereof;
FIG. 4 is a top plan view thereof;
FIG. 5 is a right side elevational view thereof;
FIG. 6 is a rear elevational view thereof; and,
FIG. 7 is a bottom plan view thereof.



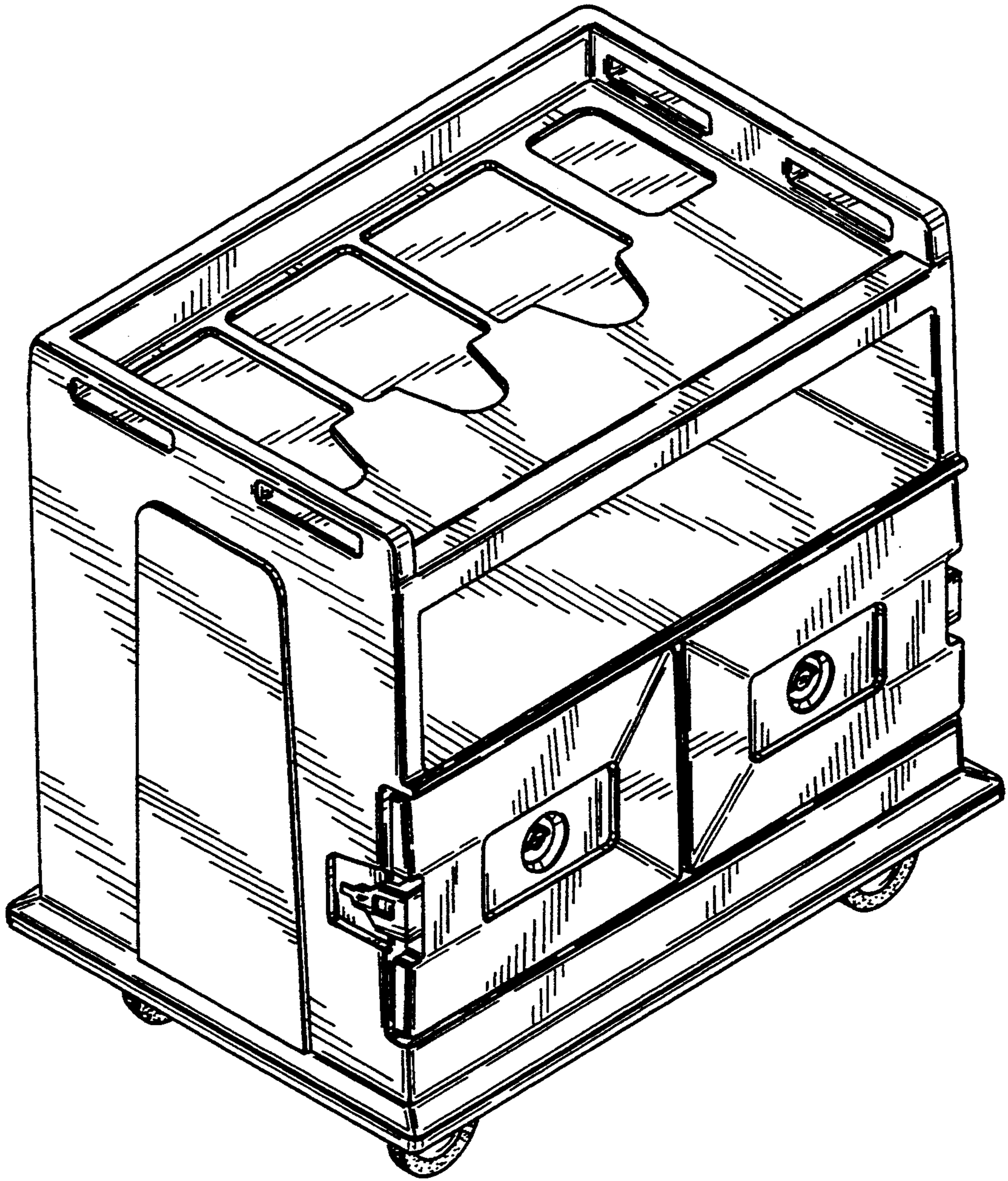


Fig. 1

Fig. 2

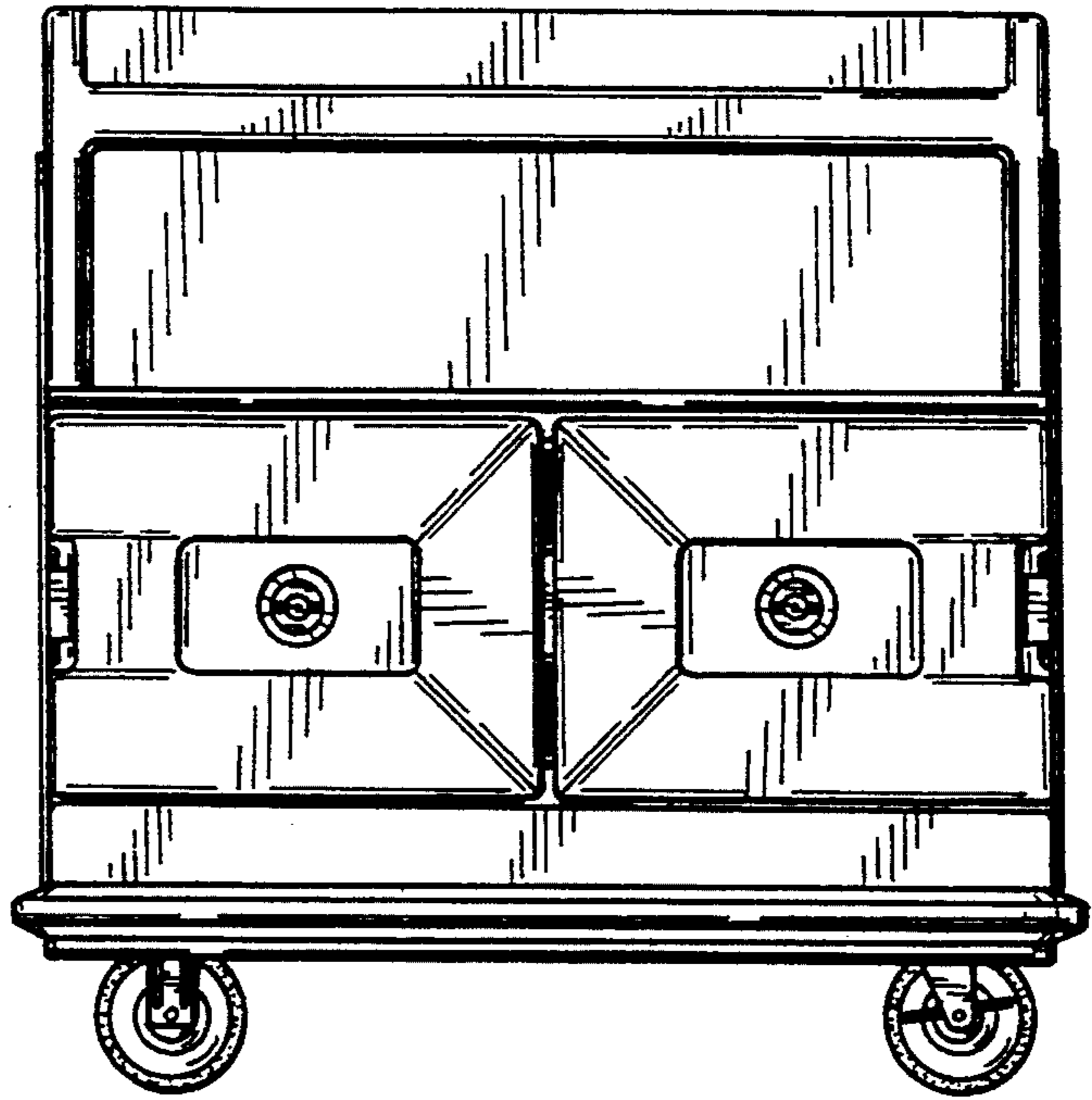


Fig. 3

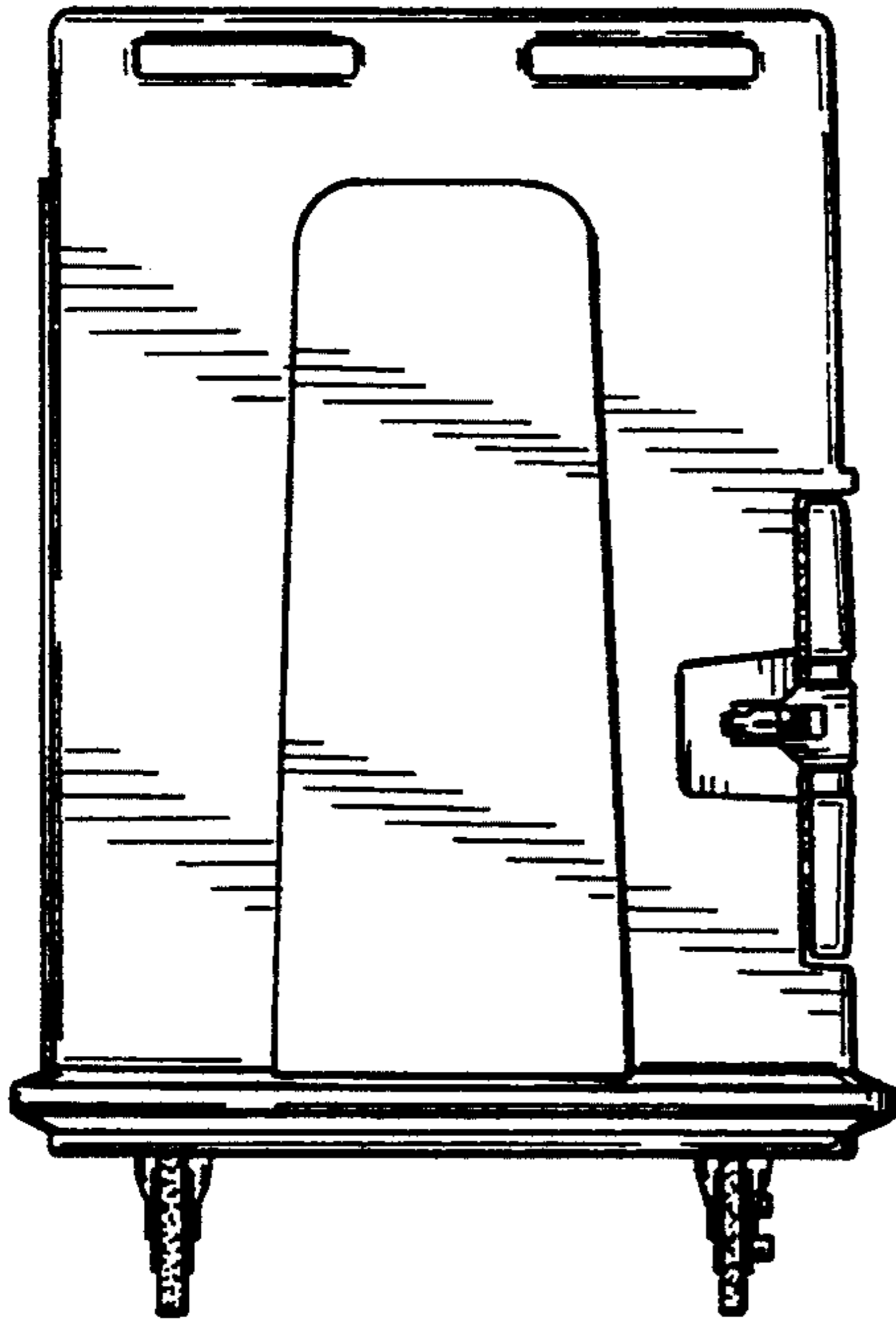
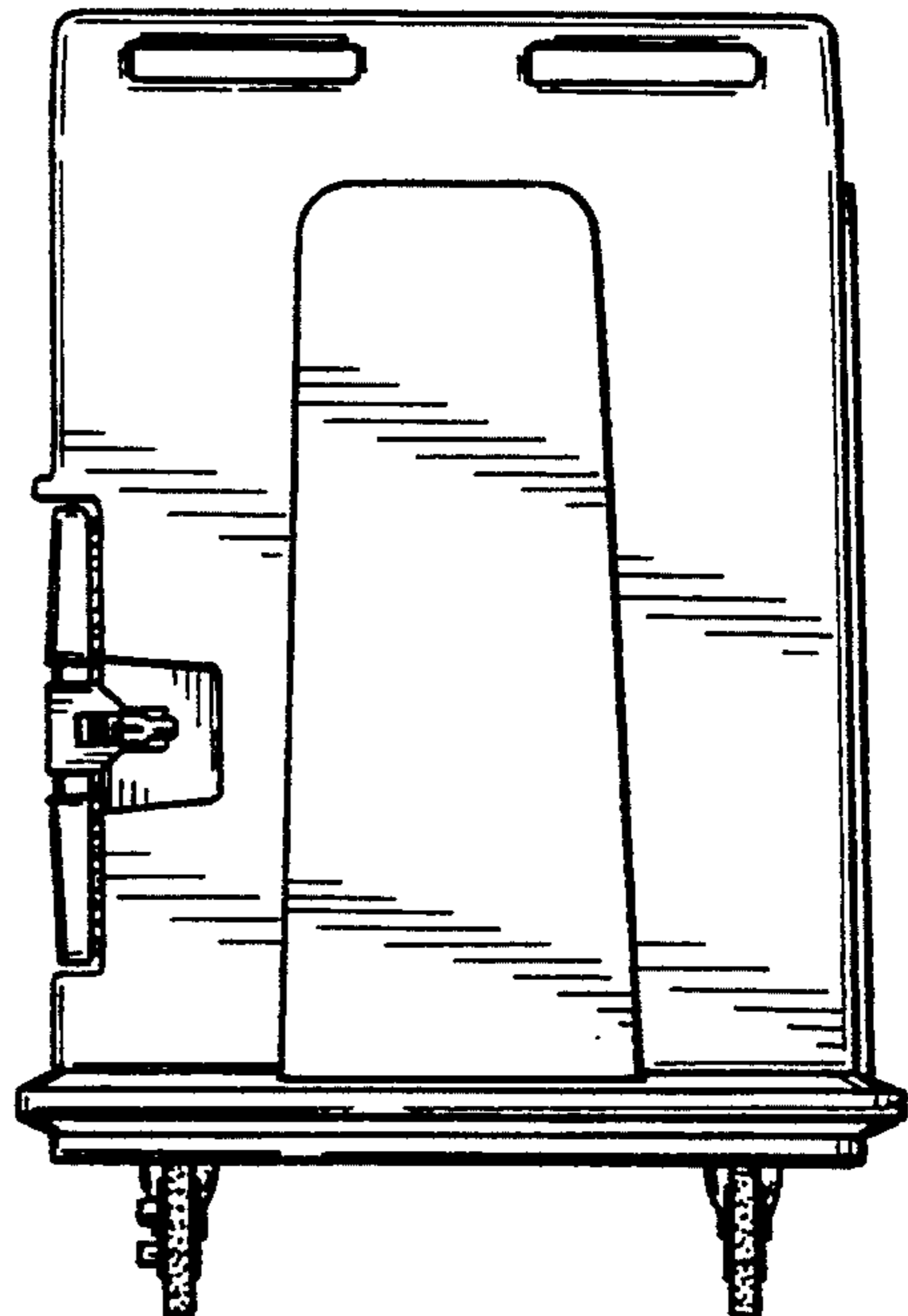


Fig. 5



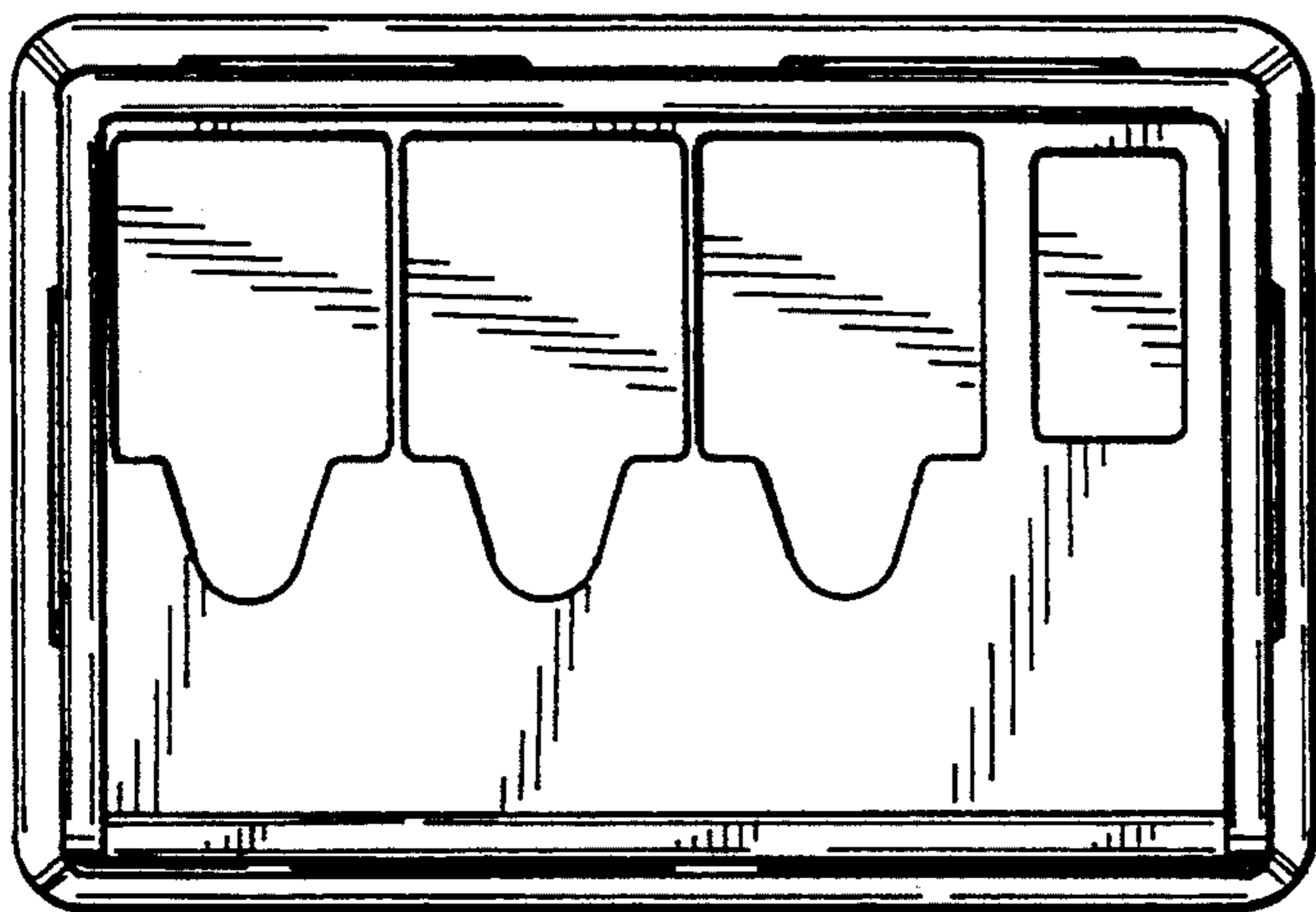


Fig. 4

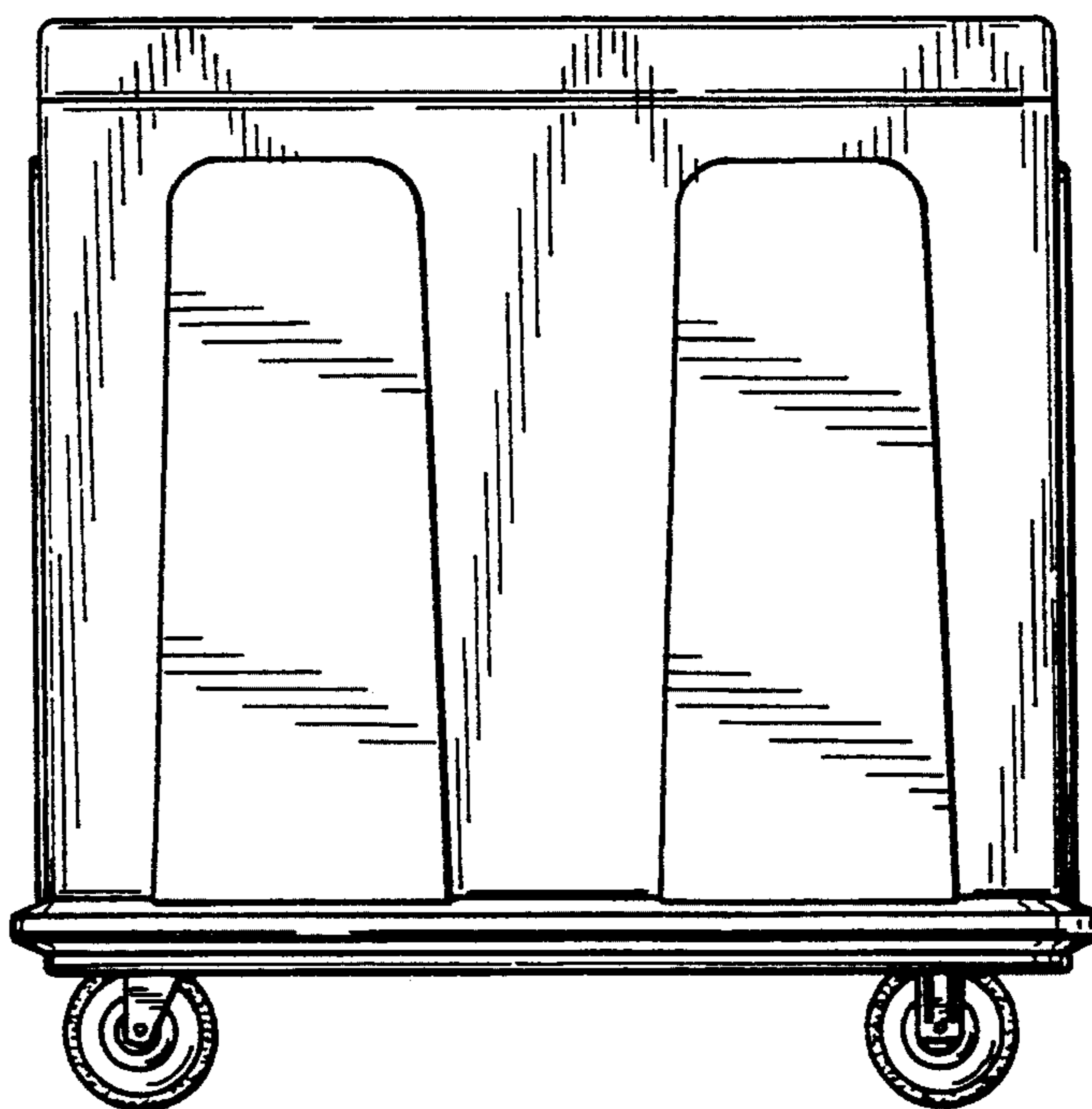


Fig. 6

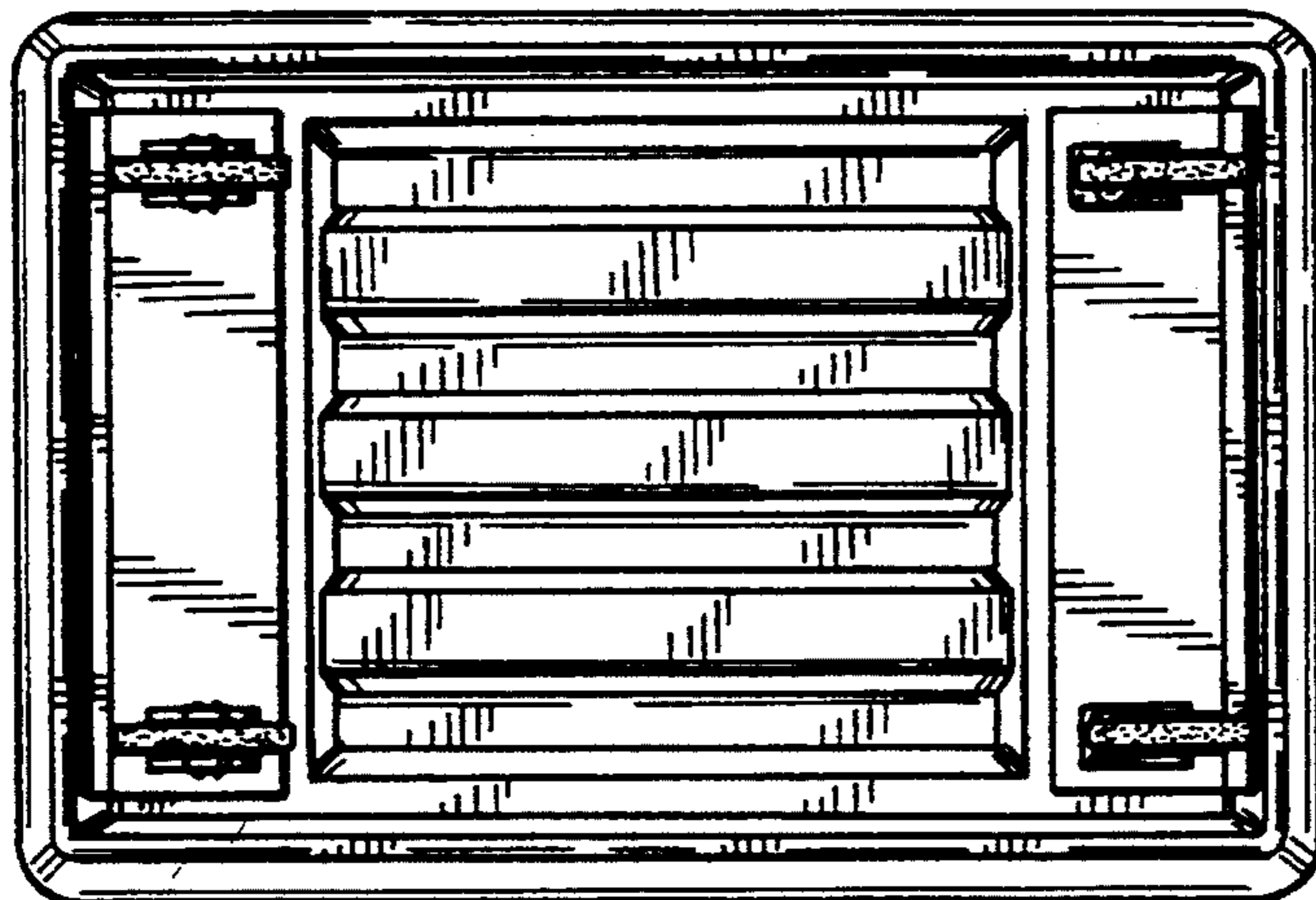


Fig. 7