



US00D355511S

United States Patent [19] Cassel

[11] Patent Number: **Des. 355,511**
[45] Date of Patent: **** Feb. 14, 1995**

- [54] REFUSE AND TRASH CONTAINER
- [75] Inventor: **Timothy S. Cassel**, Arlington, Mass.
- [73] Assignee: **Tucker Housewares**, Leominster, Mass.
- [**] Term: **14 Years**
- [21] Appl. No.: **19,209**
- [22] Filed: **Feb. 25, 1994**
- [52] U.S. Cl. **D34/1**
- [58] Field of Search **D34/1, 5-9, D34/11; D32/37; 220/675, 908-911, DIG. 12, DIG. 14, 500, 553, 555; 232/43.2**

2,935,108 5/1960 Hall 220/675

Primary Examiner—James M. Gandy
Assistant Examiner—Robin V. Taylor
Attorney, Agent, or Firm—Darby & Darby

[57] CLAIM

The ornamental design for a refuse and trash container, as shown and described.

DESCRIPTION

FIG. 1 is a top front perspective view of a preferred embodiment of a refuse and trash container showing my new design;
 FIG. 2 is a front elevation view thereof, the rear elevation view being a mirror image of the front elevation view shown;
 FIG. 3 is a left side elevation view thereof, the right side elevation view being a mirror image of the left side elevation view shown;
 FIG. 4 is a top plan view thereof;
 FIG. 5 is a bottom plan view thereof; and,
 FIG. 6 is an exploded perspective view thereof.

- [56] **References Cited**
- U.S. PATENT DOCUMENTS**
- D. 201,055 5/1965 Ebert D34/1
- D. 213,722 4/1969 Earles et al. D34/1
- D. 255,762 7/1980 Lee et al. D34/7
- D. 260,229 8/1981 Maza et al. D34/1
- D. 313,297 12/1990 Carducci-Cosgrove D34/1

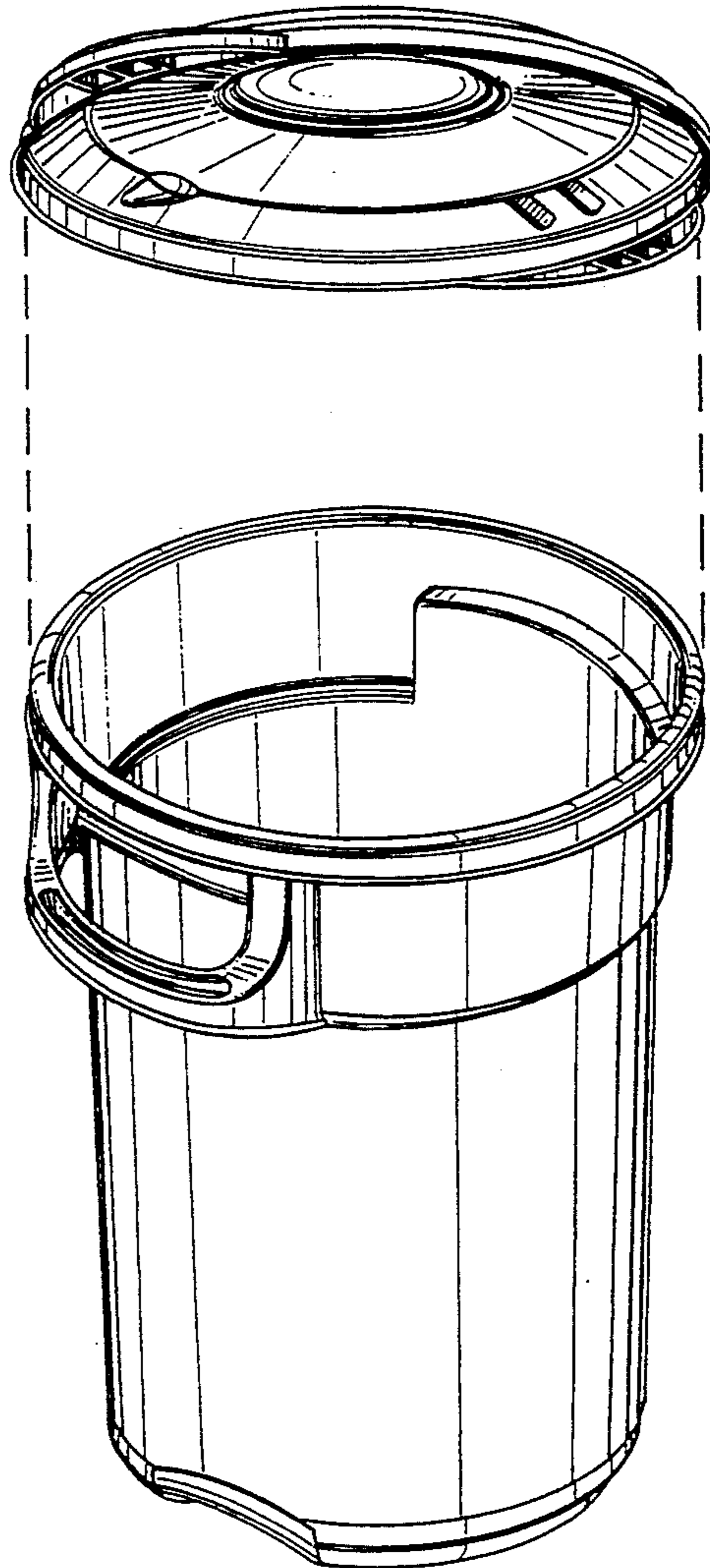
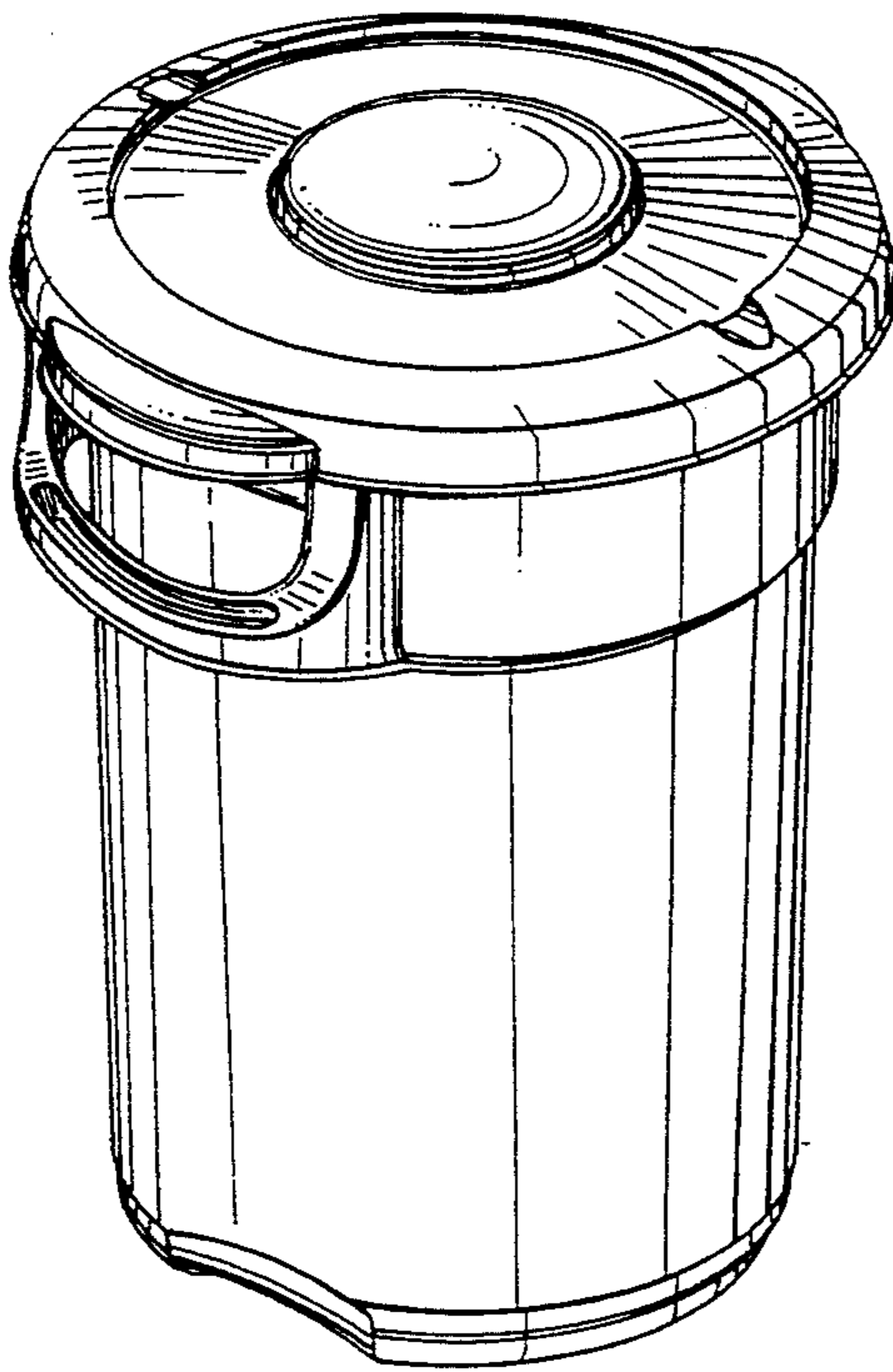


FIG. 1

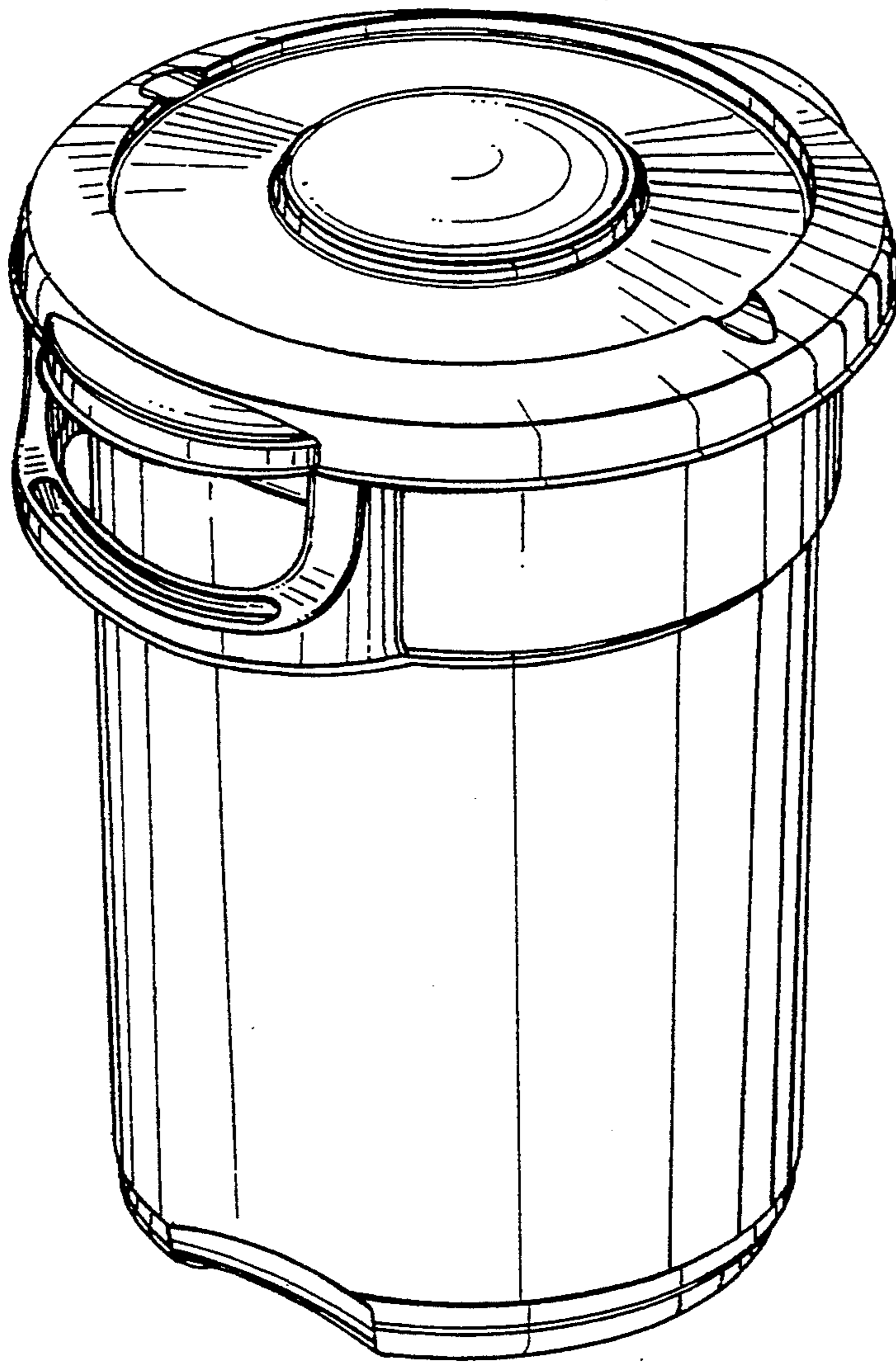


FIG. 3

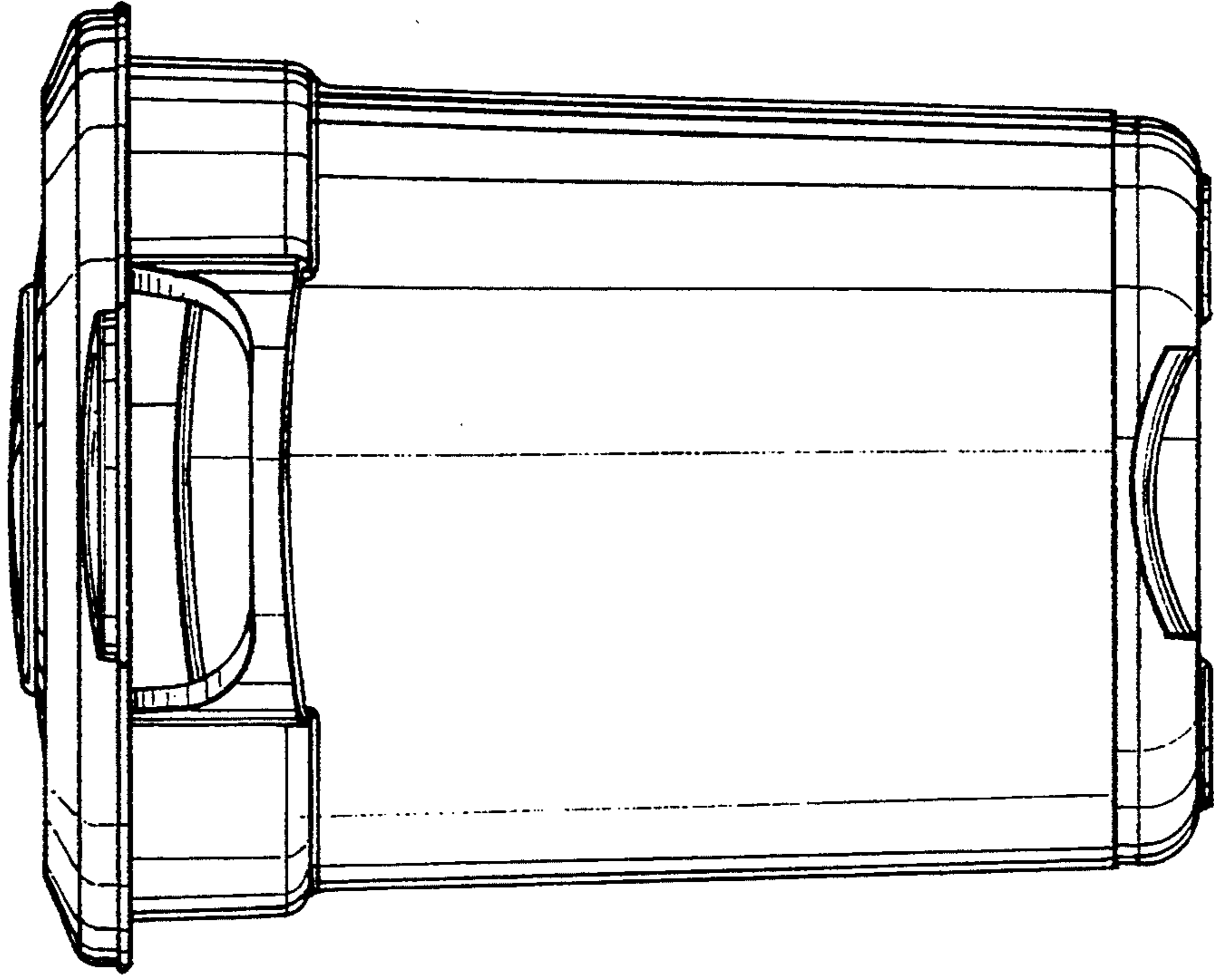


FIG. 2

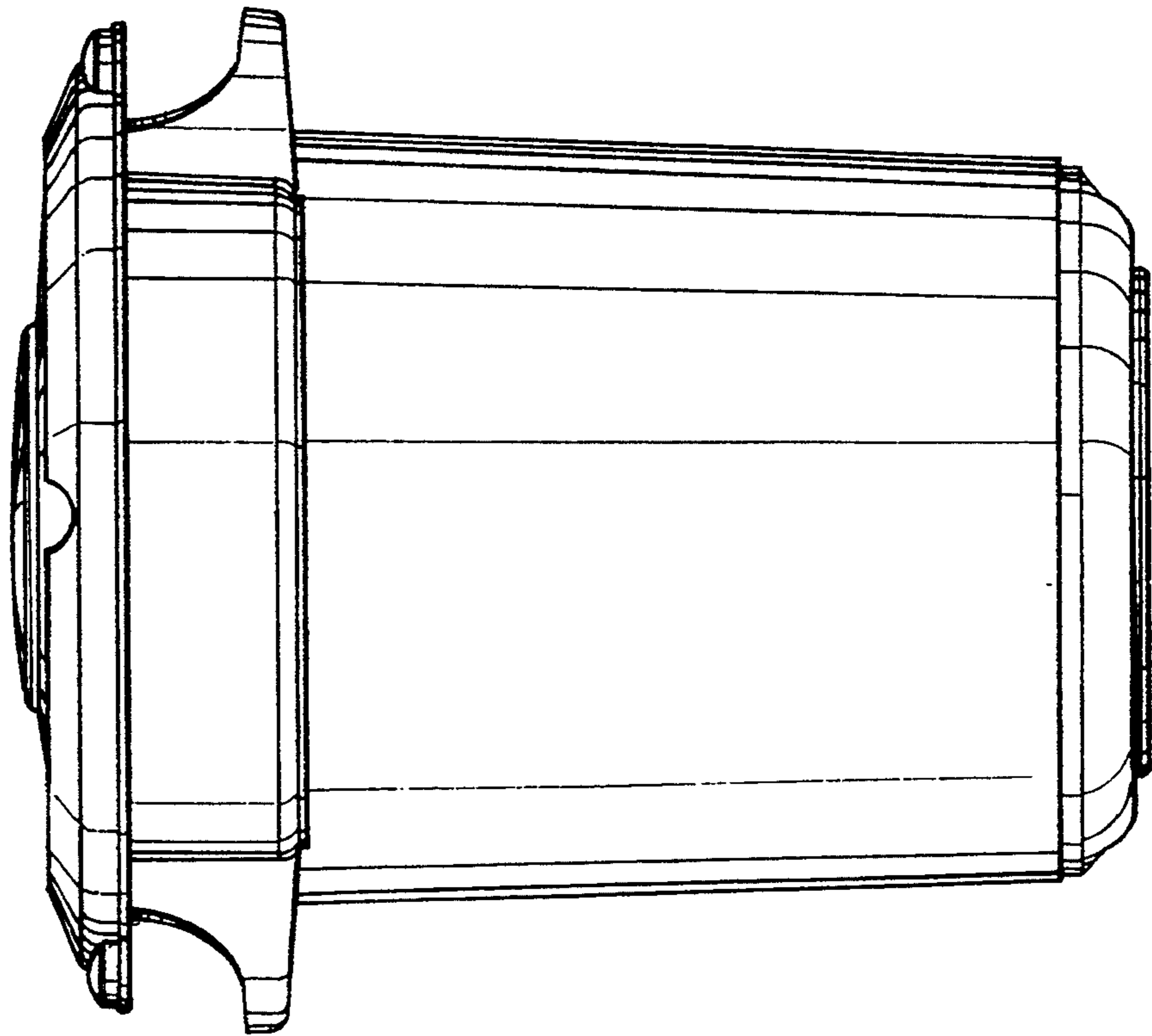


FIG. 4

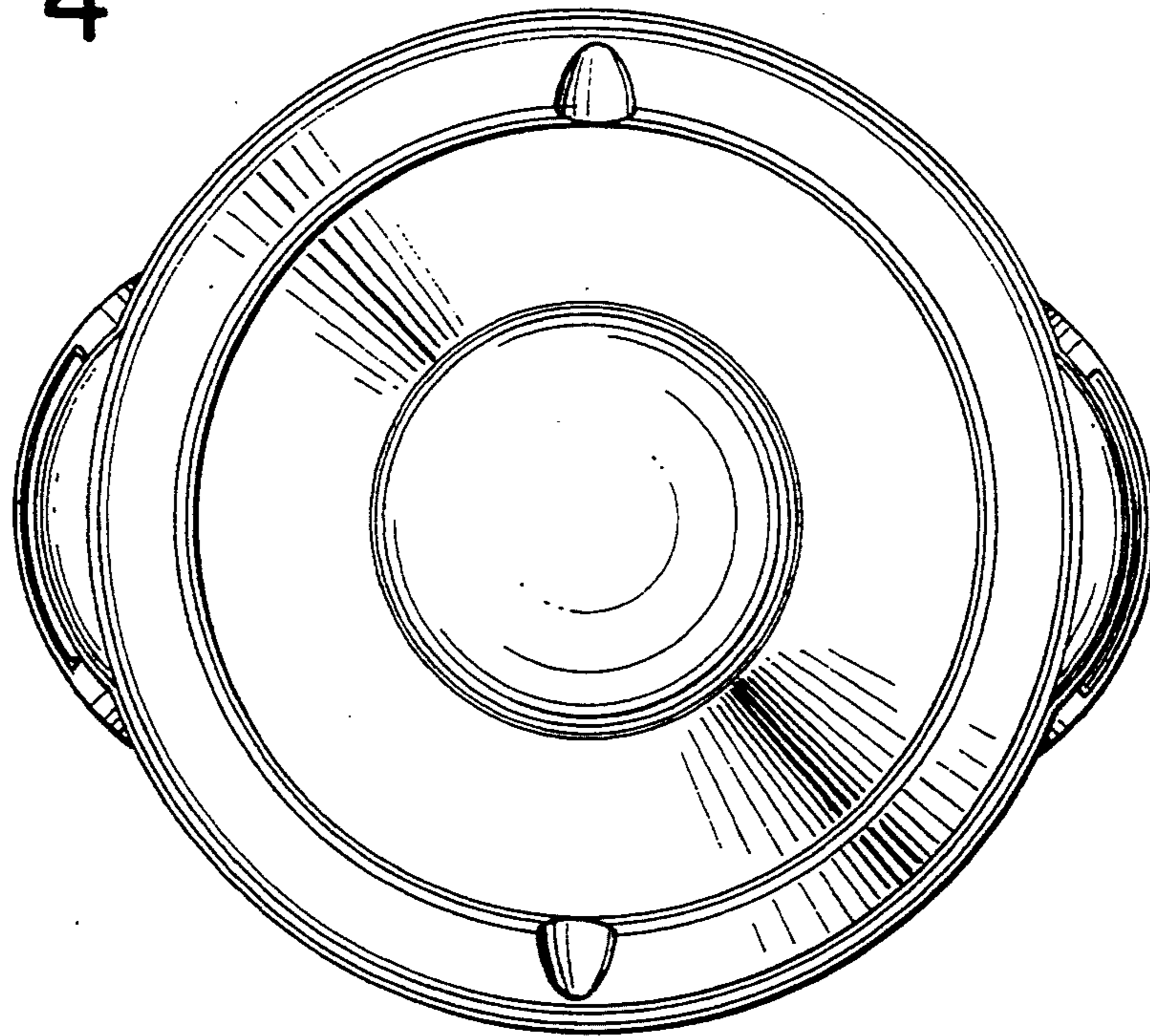


FIG. 5

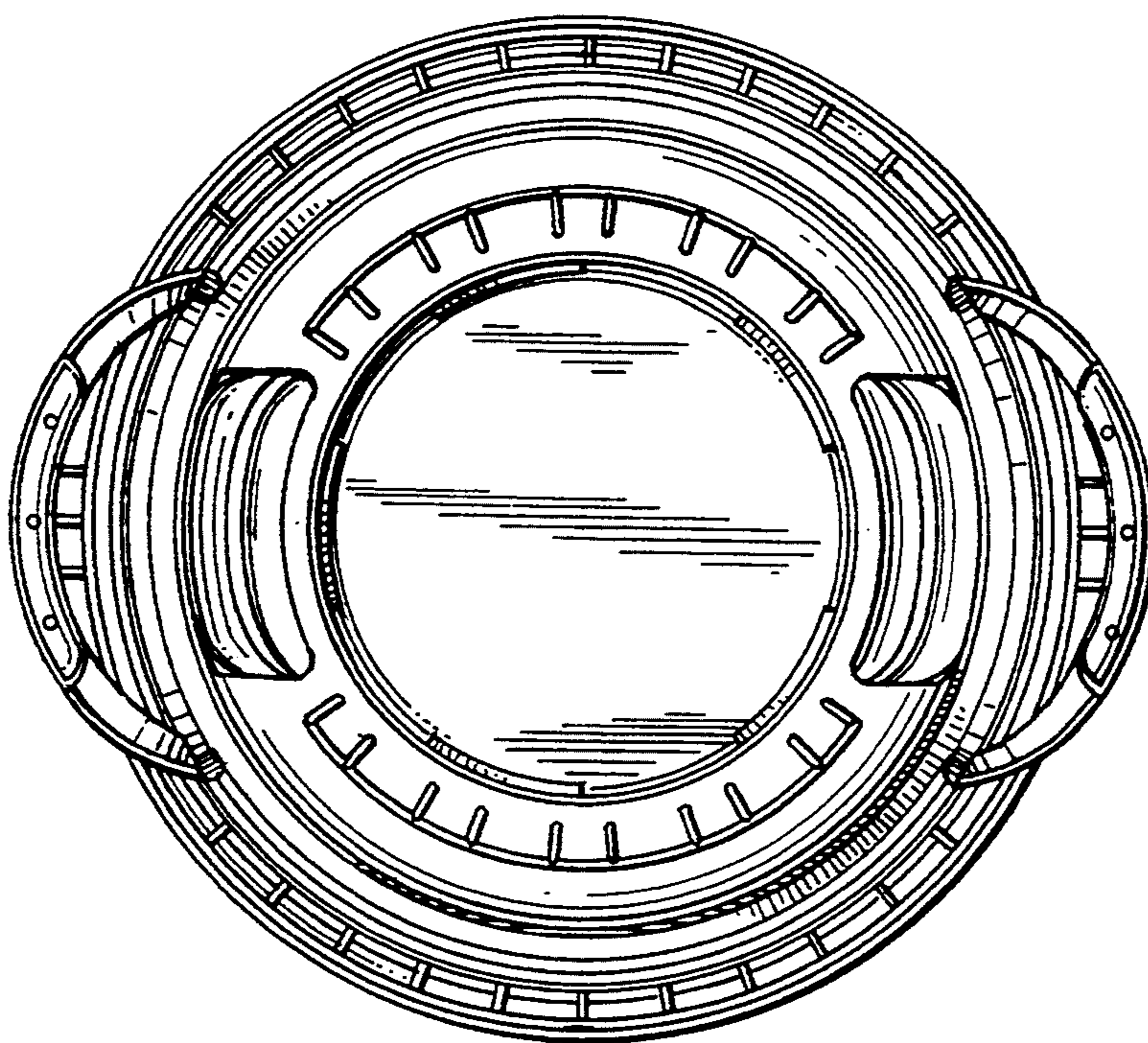


FIG. 6

