



US00D355509S

United States Patent [19] Kirk

[11] Patent Number: **Des. 355,509**

[45] Date of Patent: **** Feb. 14, 1995**

[54] **AUTOMATIC FEEDER FOR FISH OR BIRDS**

[75] Inventor: **Christopher P. Kirk,**
Sunbury-on-Thames, United
Kingdom

[73] Assignee: **Pet Mate Ltd.,** Middlesex, United
Kingdom

[**] Term: **14 Years**

[21] Appl. No.: **931,952**

[22] Filed: **Aug. 19, 1992**

[30] **Foreign Application Priority Data**

Feb. 25, 1992 [GB] United Kingdom 2 021 175

[52] U.S. Cl. **D30/122**

[58] Field of Search **D30/106, 121-122,**
D30/124-128, 133-132; 119/51.11, 51.13,
51.14, 51.15, 51.03-51.04, 56.1; D7/589

[56] **References Cited**

U.S. PATENT DOCUMENTS

- D. 148,959 3/1948 Ryan D7/589
- D. 214,431 6/1969 Willinger D30/106
- D. 287,170 12/1986 Goldman et al. D30/122
- D. 288,736 3/1987 Cornich D30/122
- D. 312,149 11/1990 Keil et al. D30/106
- D. 313,093 12/1990 Tanaka D30/122

- 3,156,214 11/1964 Denney et al. 119/51.04
- 4,279,220 7/1981 Kukurba 119/51.04
- 4,526,134 7/1985 Sapp 119/56.1
- 5,113,796 5/1992 Matsuda 119/51.11
- 5,259,533 11/1993 Kornfein et al. 119/51.11

FOREIGN PATENT DOCUMENTS

- 1147081 4/1963 Germany 119/51.04
- 2151442 7/1985 United Kingdom 119/51.04
- 2240020 7/1991 United Kingdom 119/51.04

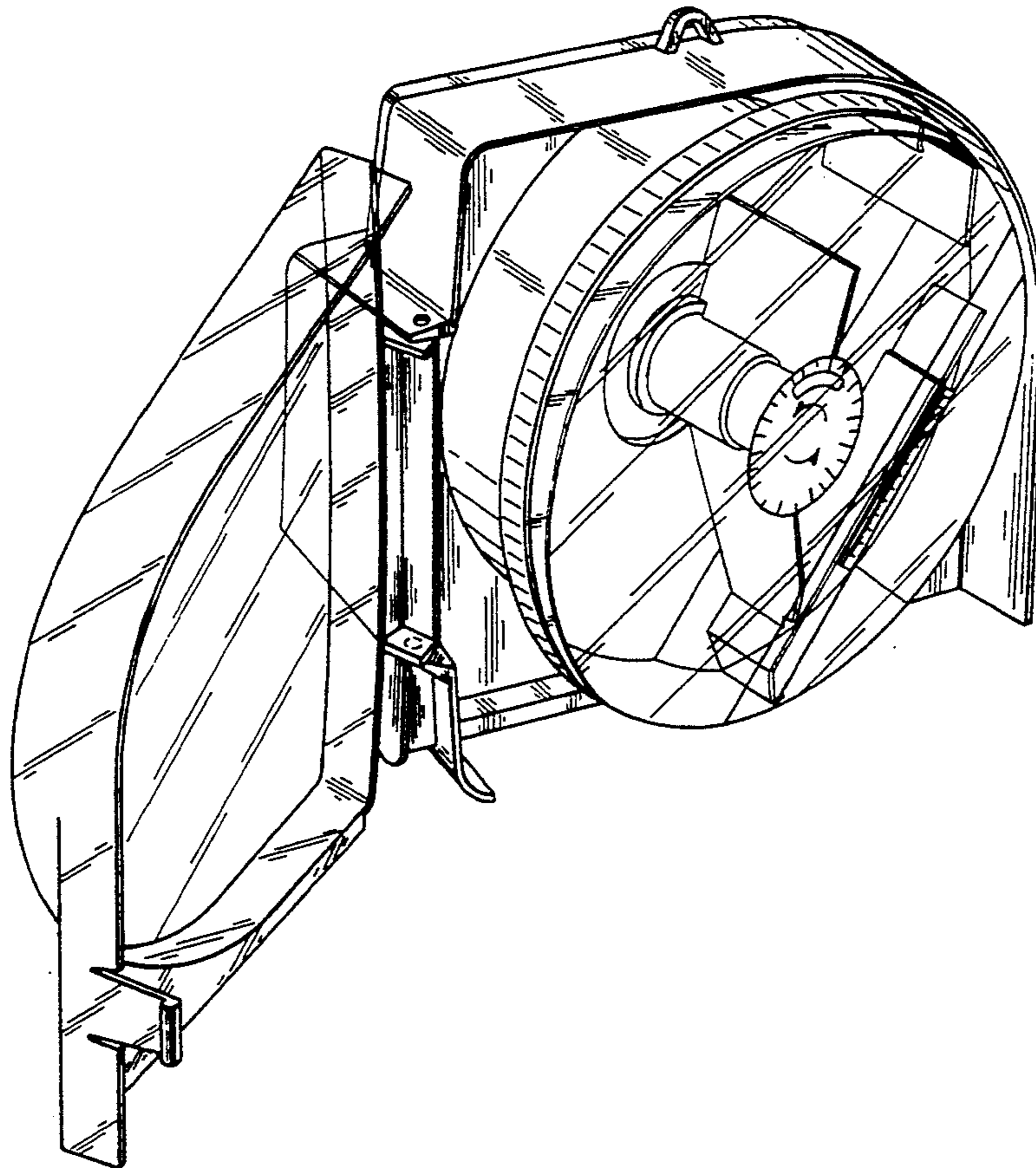
Primary Examiner—Cathy Anne MacCormac
Attorney, Agent, or Firm—Young & Thompson

[57] **CLAIM**

The ornamental design for an automatic feeder for fish or birds, as shown and described.

DESCRIPTION

FIG. 1 is a front, top and side perspective view of an automatic feeder for fish or birds, showing my new design, with the cover in open position;
 FIG. 2 is a front elevational view thereof;
 FIG. 3 is a rear elevational view thereof;
 FIG. 4 is a side elevational view thereof from the left of FIG. 2;
 FIG. 5 is a side elevational view thereof from the right of FIG. 2;
 FIG. 6 is a top plan view thereof; and,
 FIG. 7 is a bottom plan view thereof.



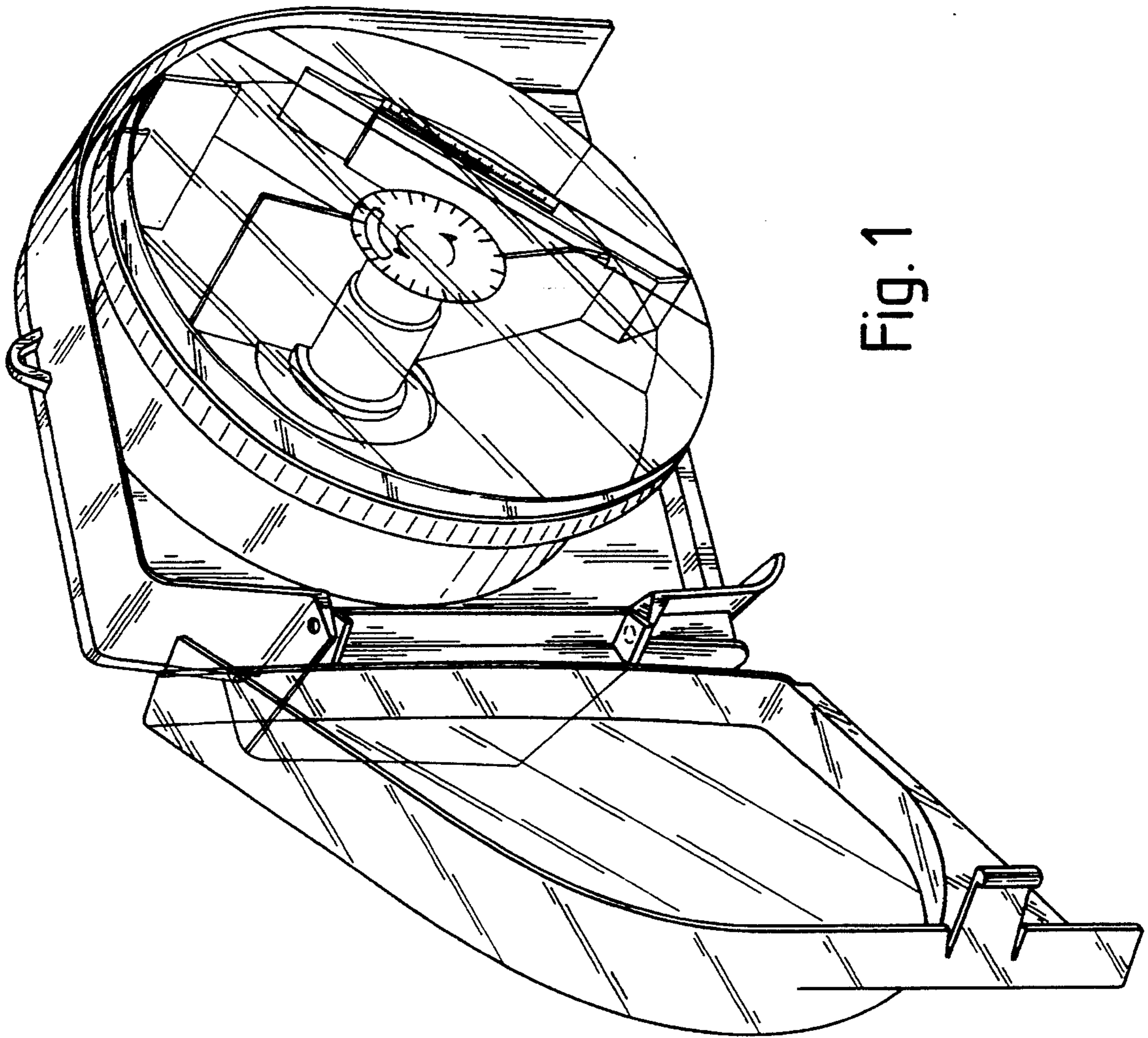


Fig. 1

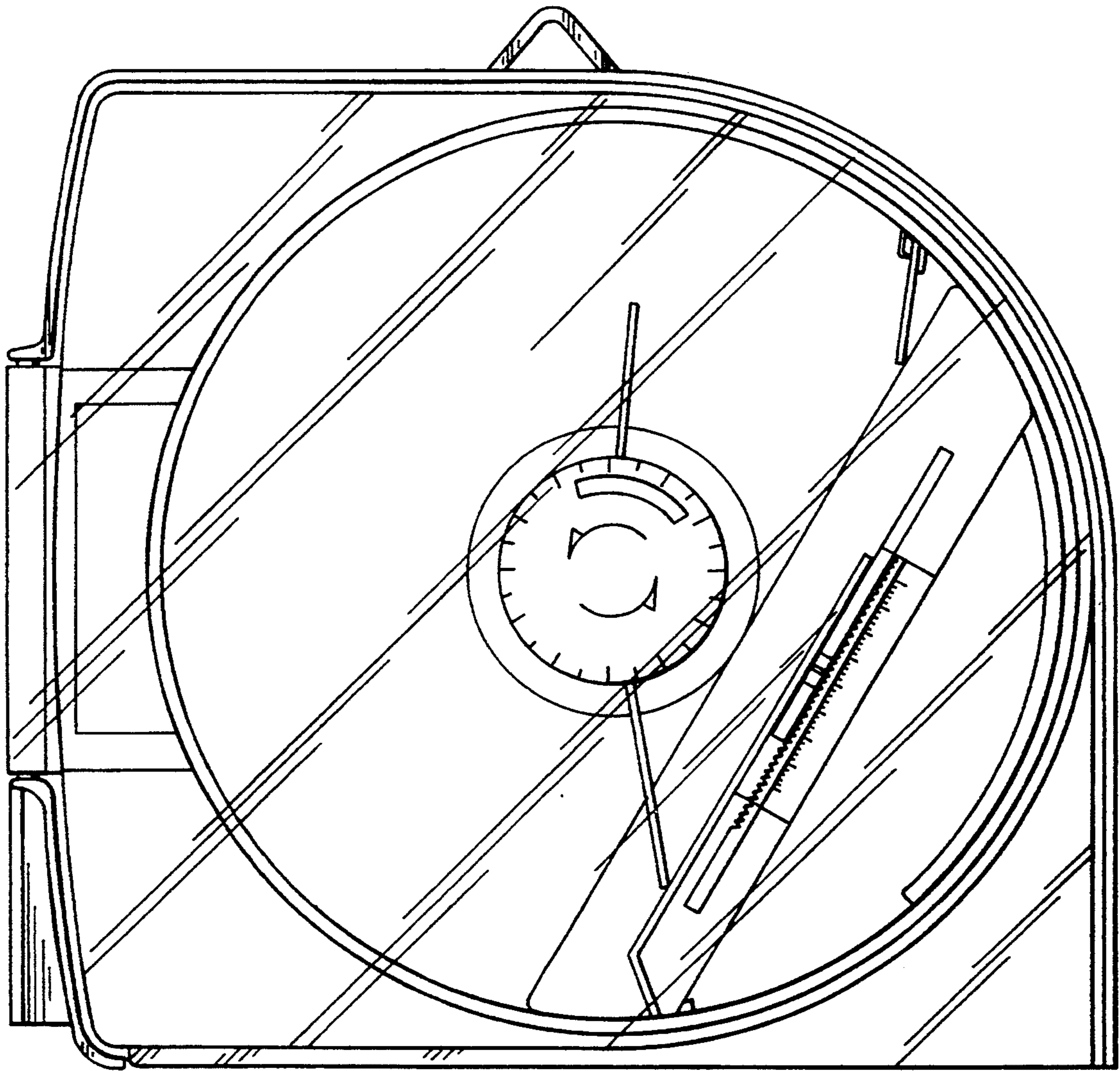


Fig. 2

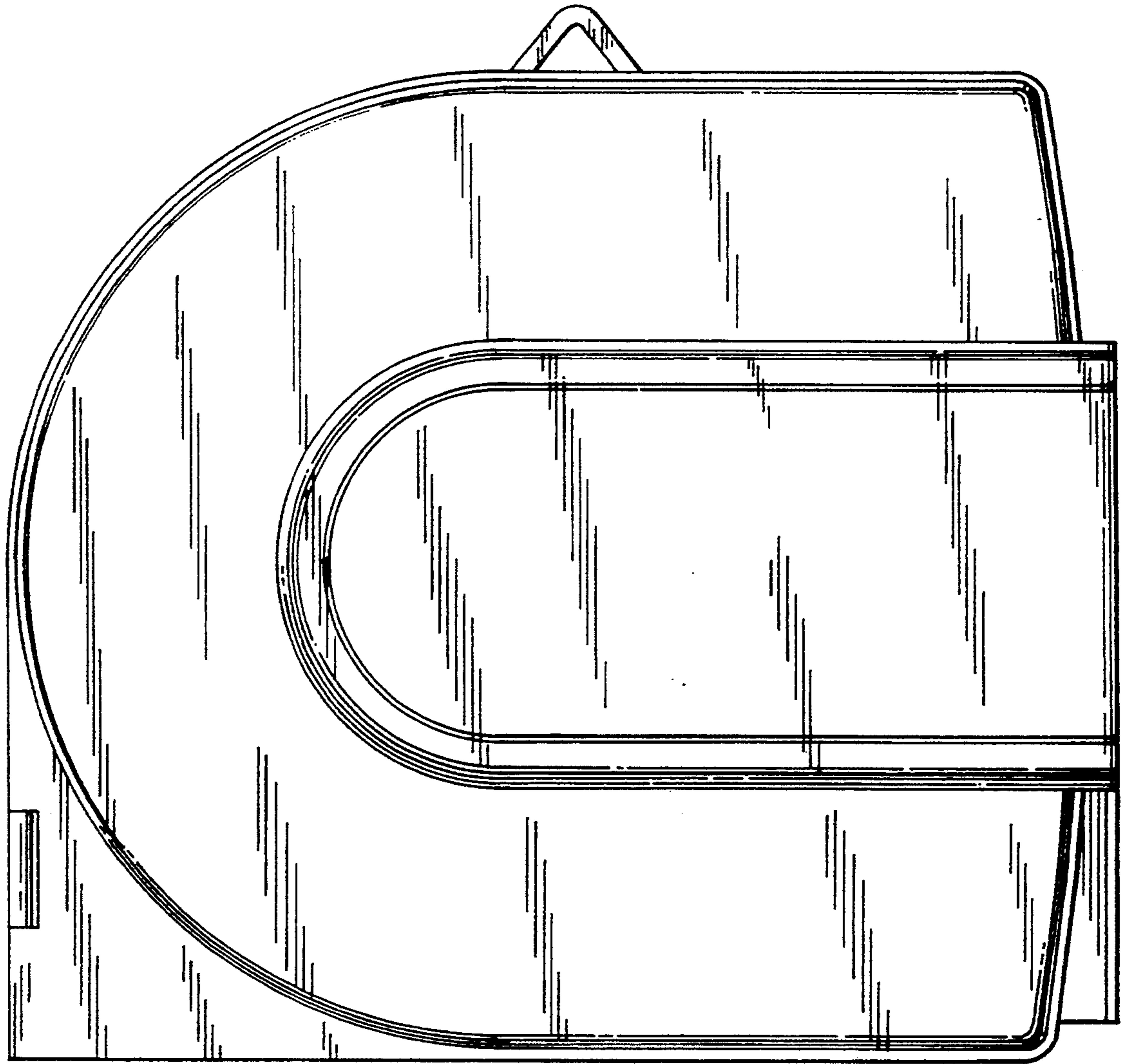


Fig. 3

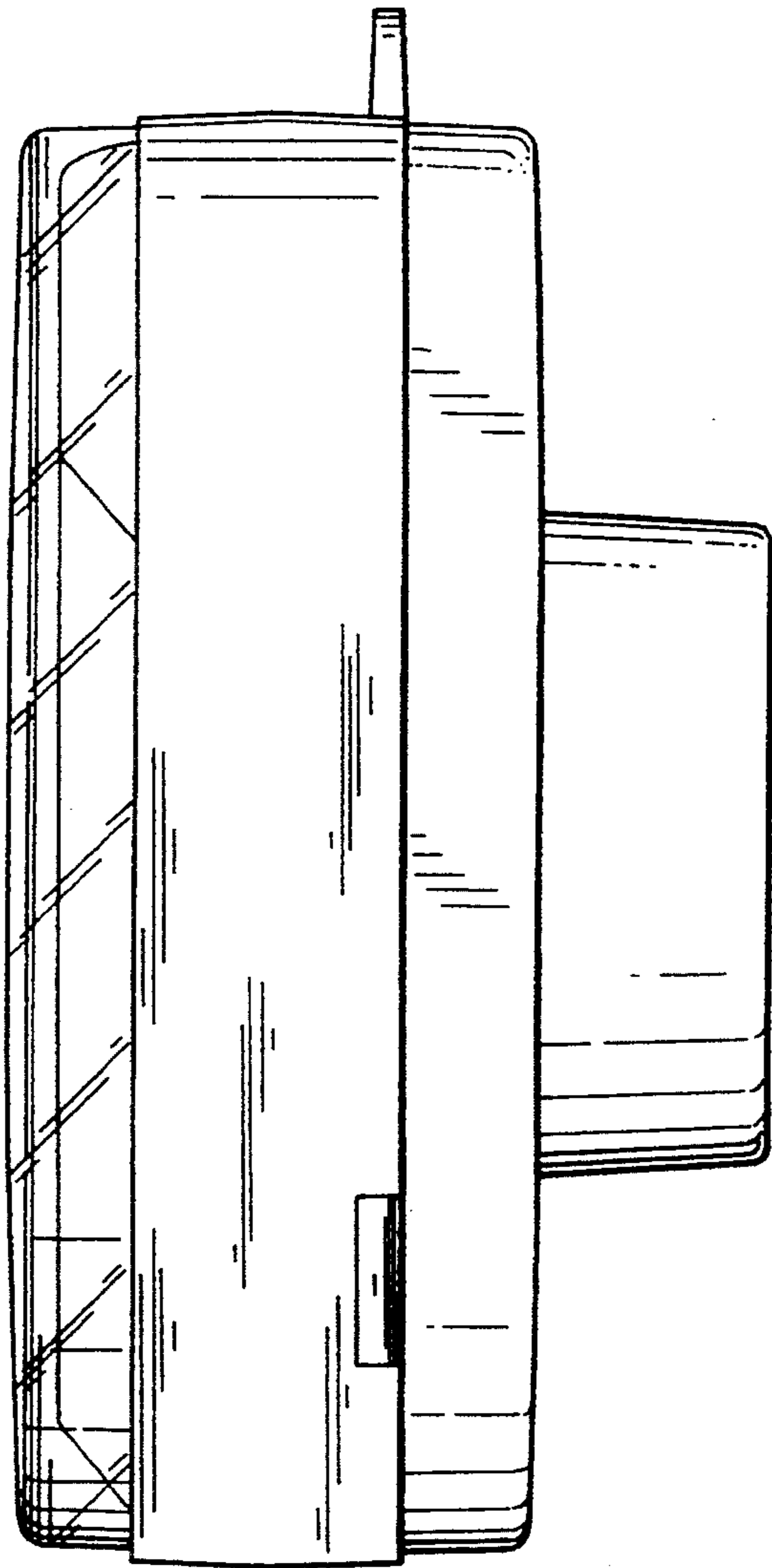


Fig. 4

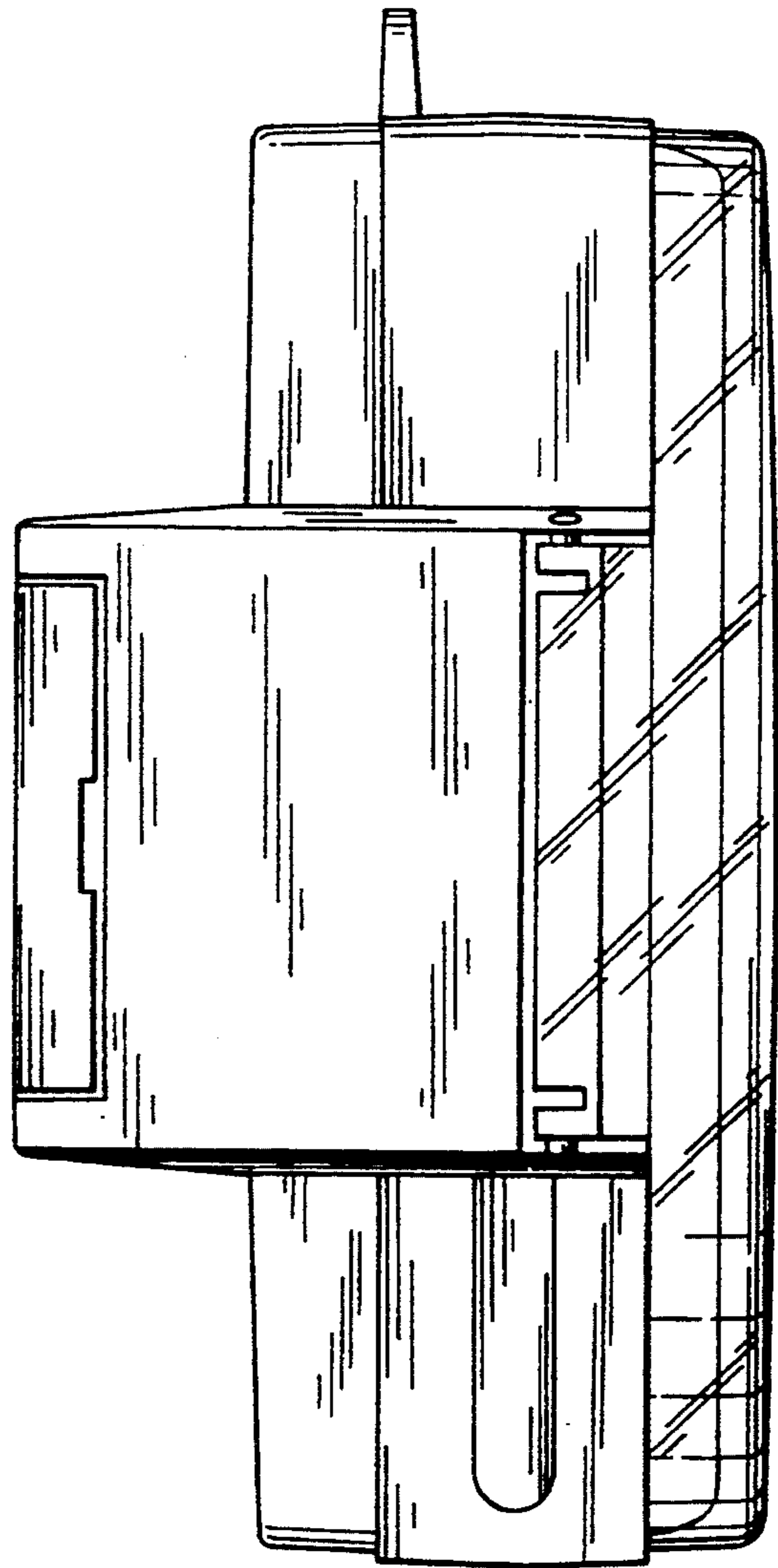


Fig. 5

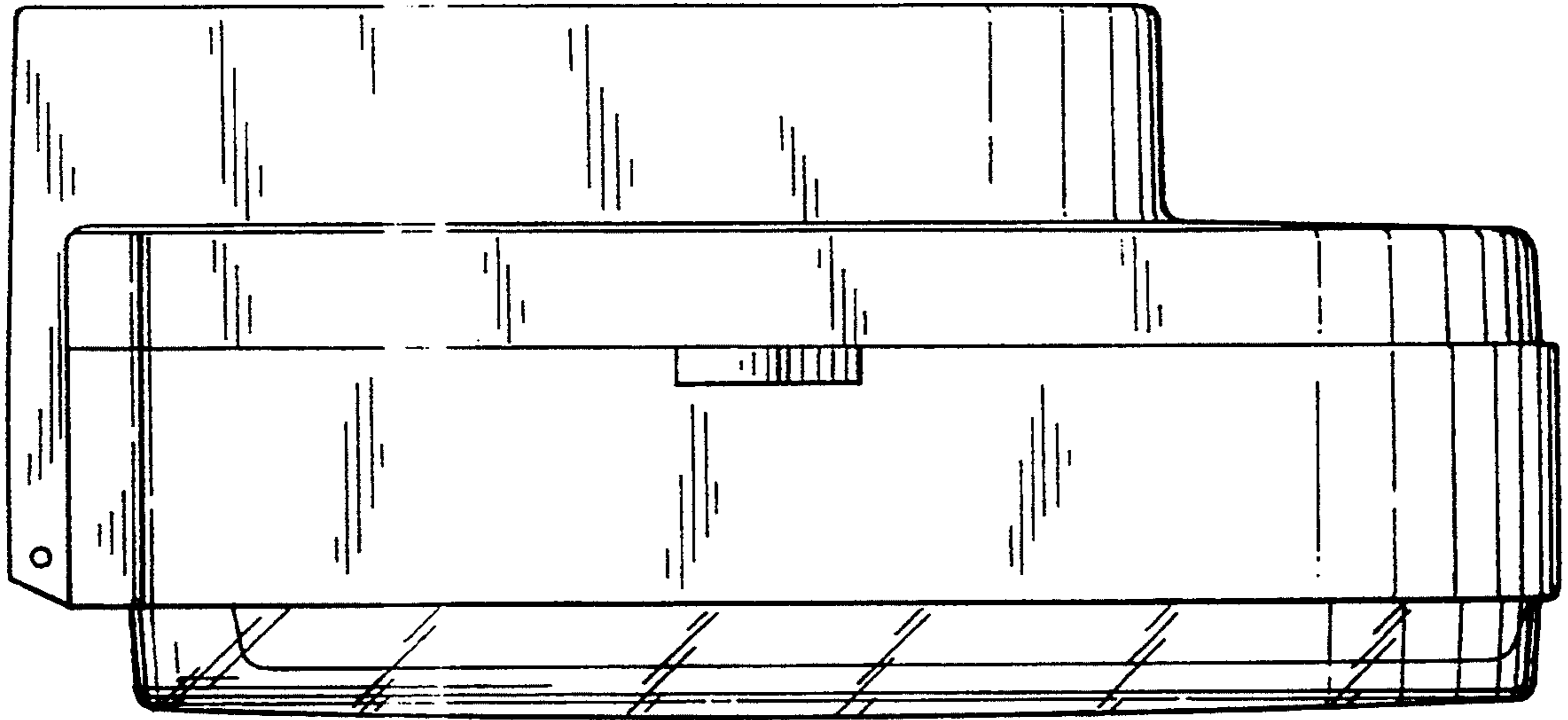


Fig. 6

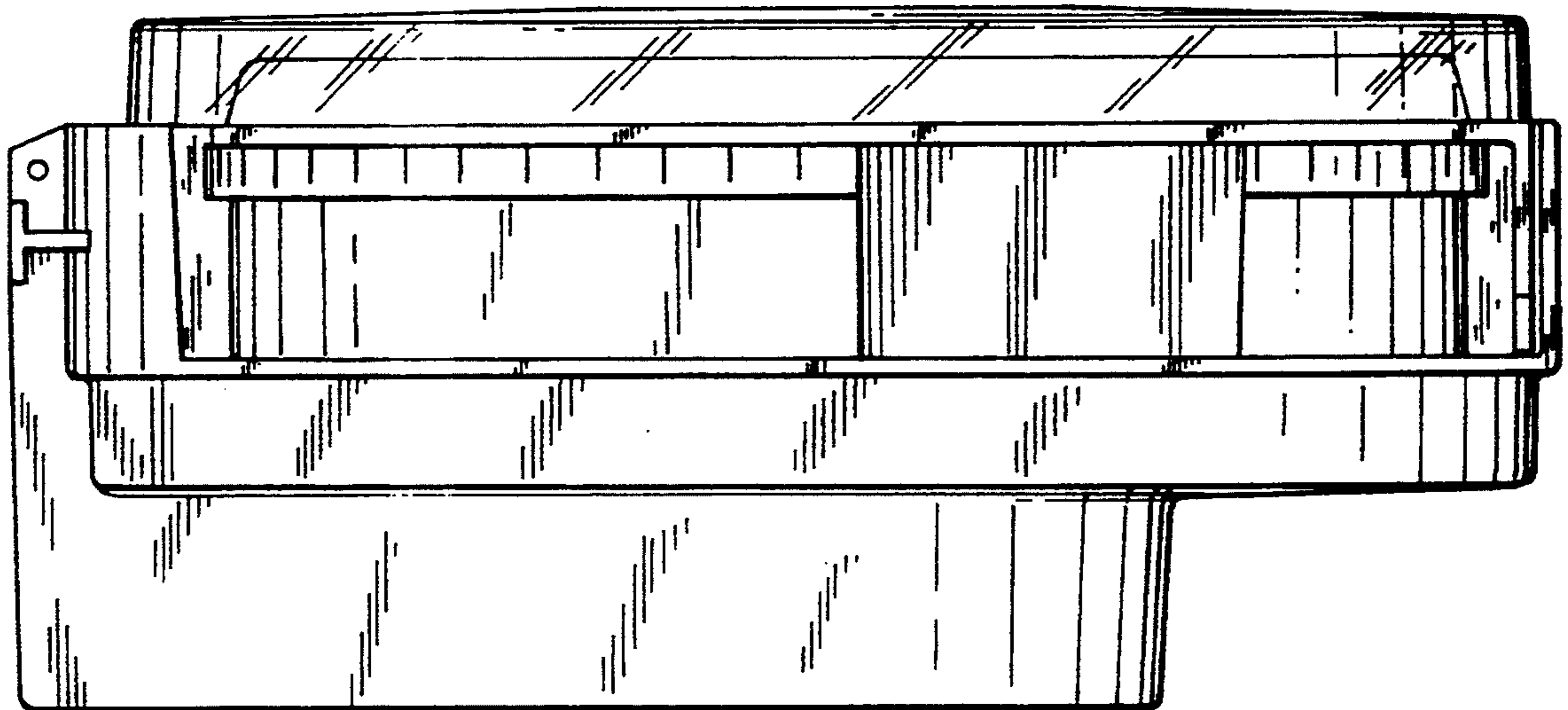


Fig. 7