



US00D355505S

# United States Patent [19]

[11] Patent Number: **Des. 355,505**

Uchiyama et al.

[45] Date of Patent: **\*\* Feb. 14, 1995**

[54] **CUTTER FOR ELECTRIC SHAVER**

[75] Inventors: **Hiromi Uchiyama; Masaki Okabe,**  
both of Nagano, Japan

[73] Assignee: **Izumi Products Company,** Nagano,  
Japan

[\*\*] Term: **14 Years**

[21] Appl. No.: **908,006**

[22] Filed: **Jun. 26, 1992**

[30] **Foreign Application Priority Data**

Dec. 28, 1991 [JP] Japan ..... 3-39728

[52] U.S. Cl. .... **D28/50**

[58] Field of Search ..... **D28/49-54;**  
30/43.4-43.92, 98, 346.5, 346.51, 347, DIG. 1,  
DIG. 2

[56] **References Cited**

**U.S. PATENT DOCUMENTS**

3,261,091 7/1966 Van Den Driest ..... 30/43.6

3,264,733 8/1966 Tiemes et al. .... 30/43.6  
3,919,770 11/1975 Sakai et al. .... 30/43.6  
4,192,065 3/1980 Tietjens ..... 30/43.6  
4,630,370 12/1986 Hamada ..... 30/346.51  
4,635,360 1/1987 Tanahashi ..... 30/43.6

*Primary Examiner*—B. J. Bullock  
*Attorney, Agent, or Firm*—Koda and Androlia

[57] **CLAIM**

The ornamental design for a cutter for electric shaver,  
as shown and described.

**DESCRIPTION**

FIG. 1 is a top plan view of the cutter for electric  
shaver showing our new design;  
FIG. 2 is a bottom plan view thereof;  
FIG. 3 is a front elevational view thereof; the rear ele-  
vational view being a mirror image;  
FIG. 4 is a right side elevational view thereof, the left  
side elevational view being a mirror image; and,  
FIG. 5 is a perspective view showing a cutter for elec-  
tric shaver of our new design.

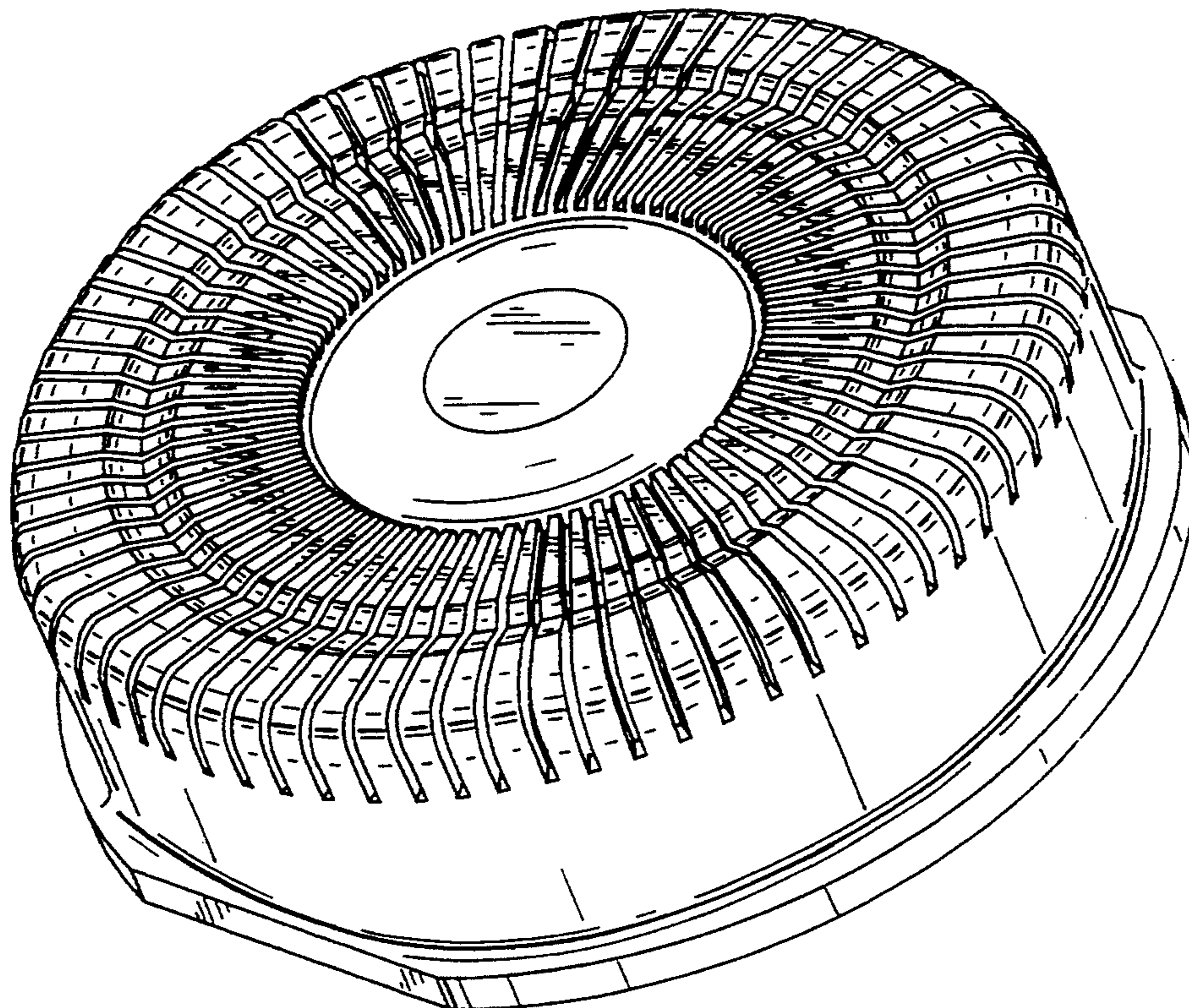


FIG. 1

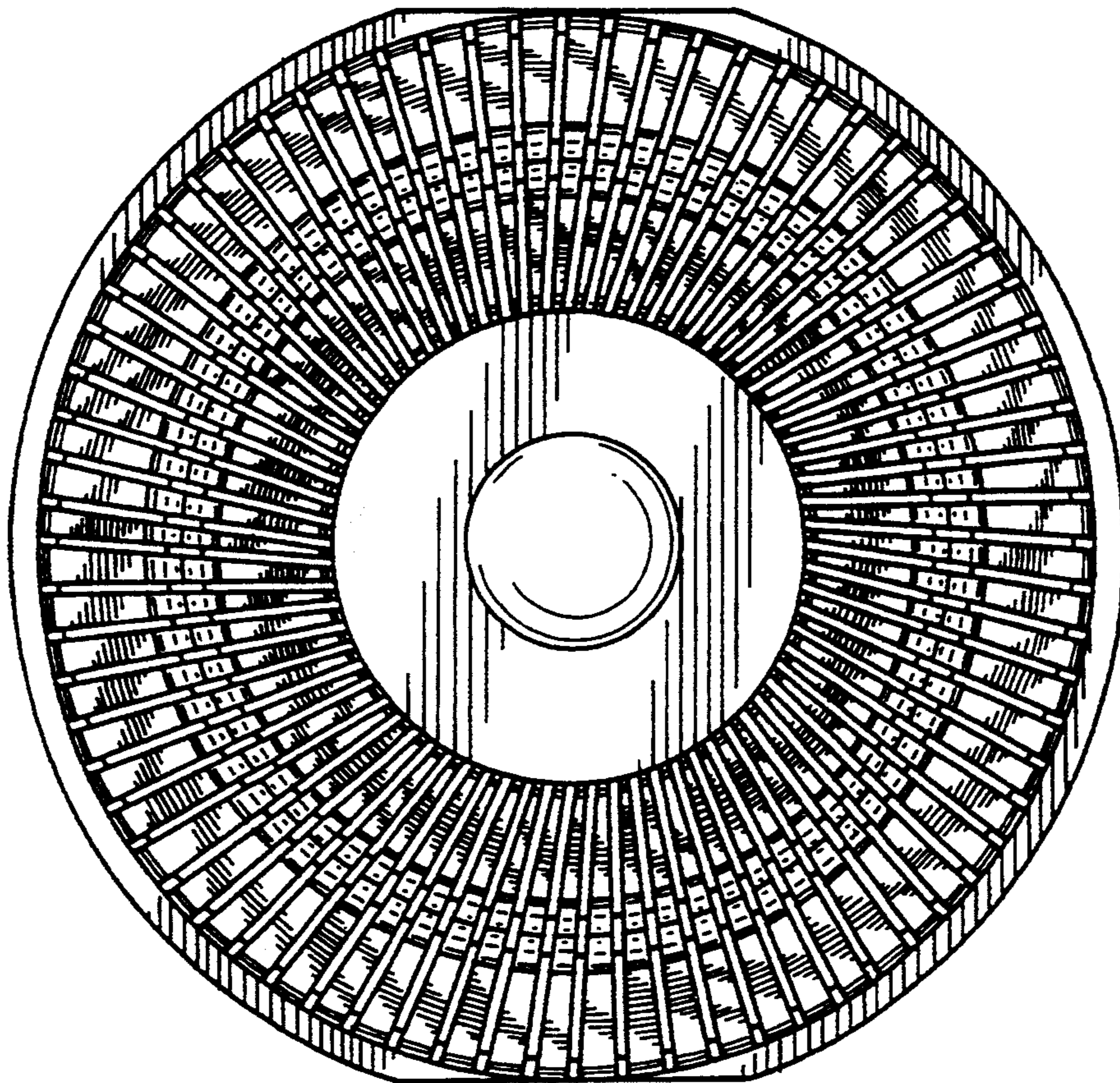


FIG. 3

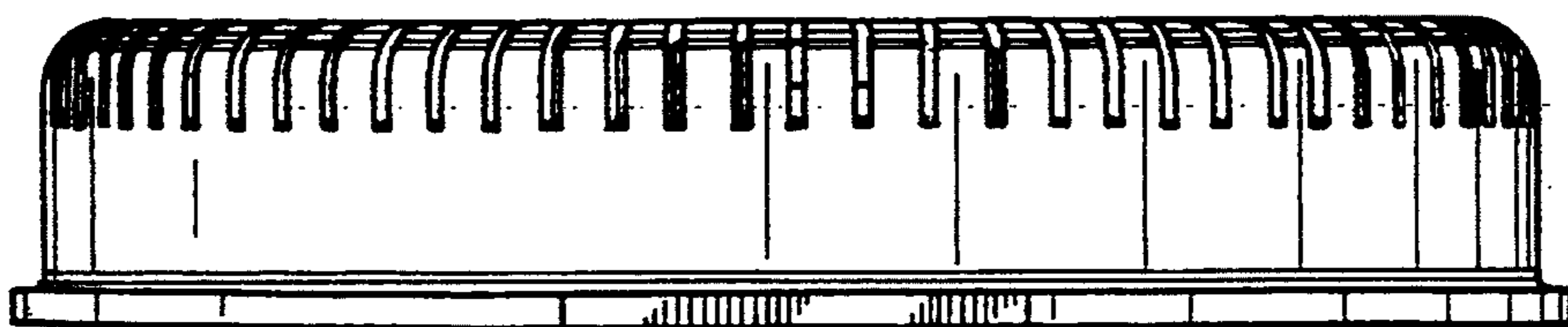


FIG. 2

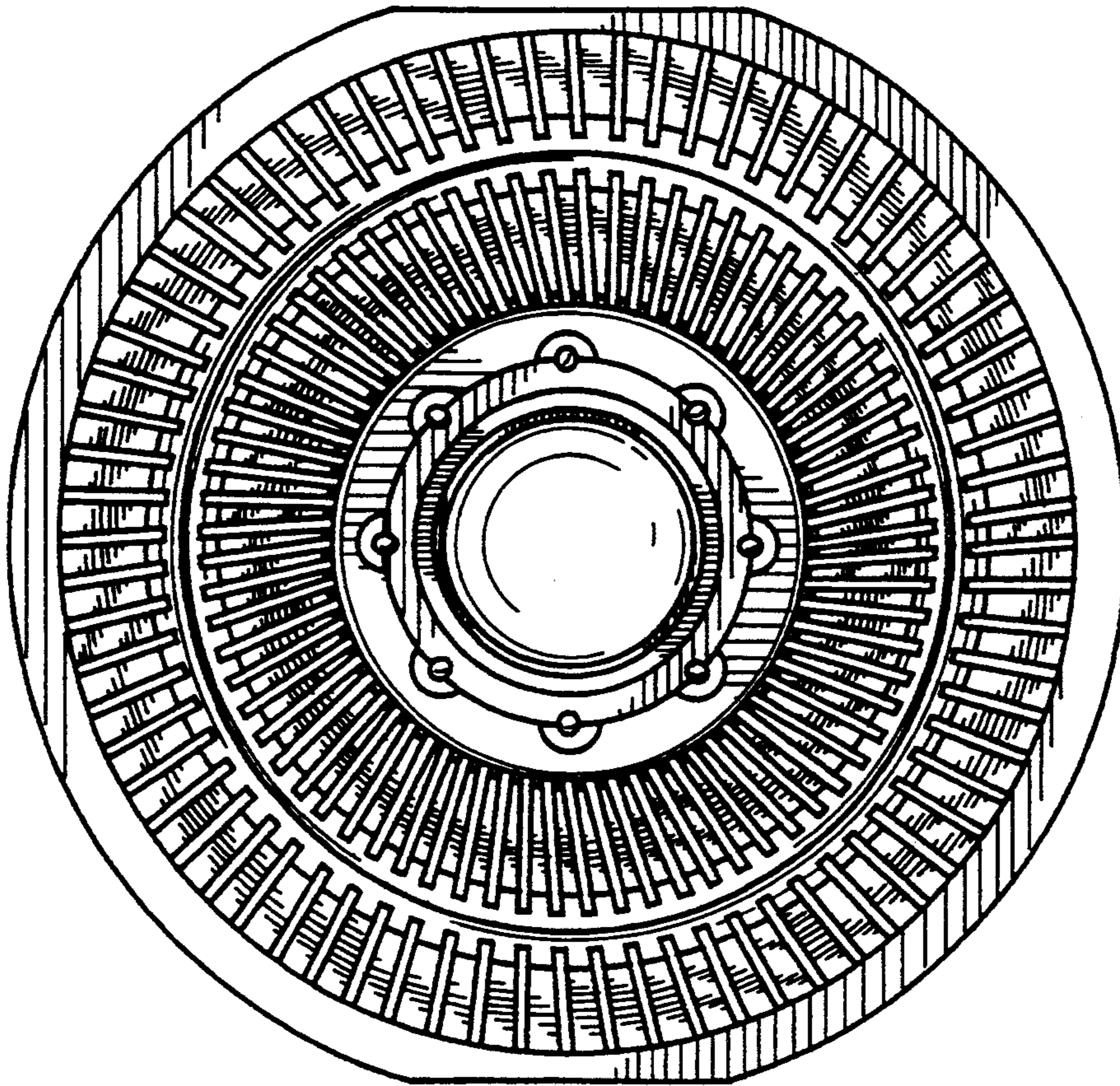
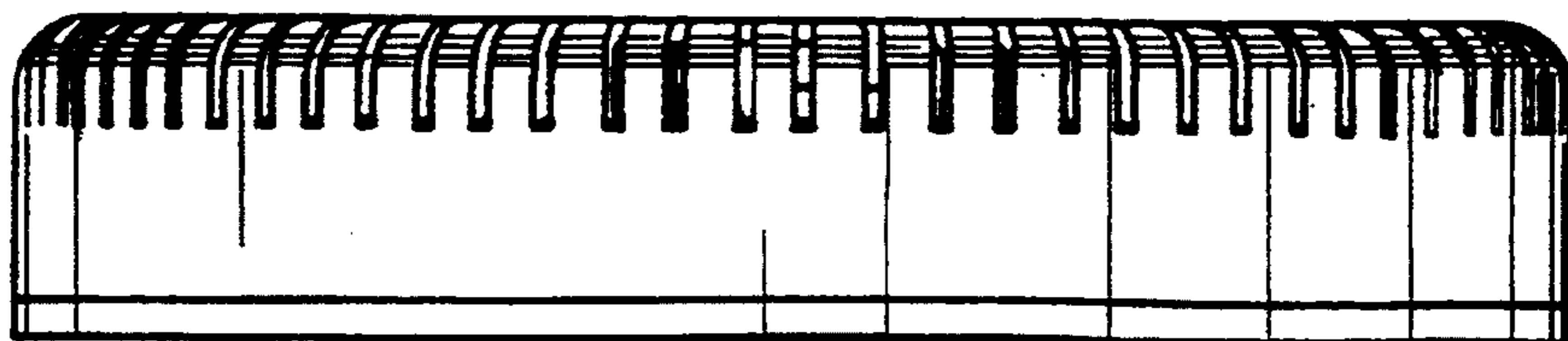


FIG. 4



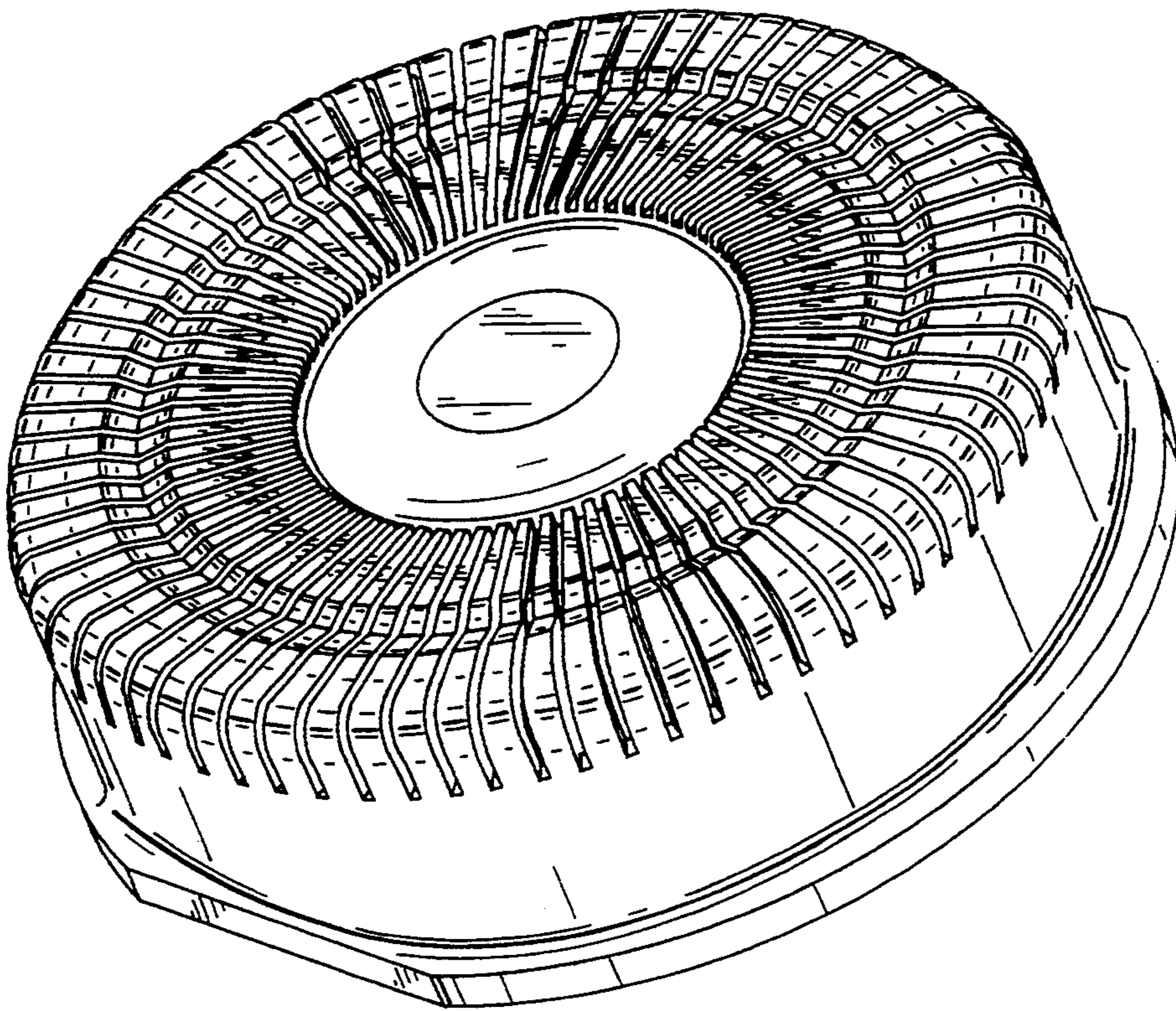


FIG. 5