



US00D355502S

# United States Patent [19]

[11] Patent Number: **Des. 355,502**

Liao

[45] Date of Patent: **\*\* Feb. 14, 1995**

[54] **ADJUSTABLE OUTDOOR LAMP HOUSING**

D. 308,111	5/1990	Banathy et al. ....	D26/63 X
3,254,205	5/1966	Cobb .....	362/269 X
5,146,392	9/1992	Kasboske .....	362/362 X

[75] Inventor: **Chin-Chung Liao**, Taipei, Taiwan, Prov. of China

*Primary Examiner*—Susan J. Lucas  
*Attorney, Agent, or Firm*—Knobbe, Martens, Olson & Bear

[73] Assignee: **Sun Luck Electrical Equipment Co., Ltd.**, Taipei, Taiwan, Prov. of China

[\*\*] Term: **14 Years**

[57] **CLAIM**

[21] Appl. No.: **13,231**

The ornamental design for adjustable outdoor lamp housing, as shown and described.

[22] Filed: **Sep. 21, 1993**

**DESCRIPTION**

[52] U.S. Cl. .... **D26/67; D26/63**

[58] Field of Search ..... **D26/67-71, D26/60, 61, 63, 65; 362/145, 147, 153, 153.1, 431, 432, 362, 269, 271, 275, 418, 419, 427**

FIG. 1 is a perspective view of adjustable outdoor lamp housing showing my new design;

FIG. 2 is a front elevational view thereof;

FIG. 3 is a rear elevational view thereof;

FIG. 4 is a left side elevational view thereof;

FIG. 5 is a right side elevational view thereof;

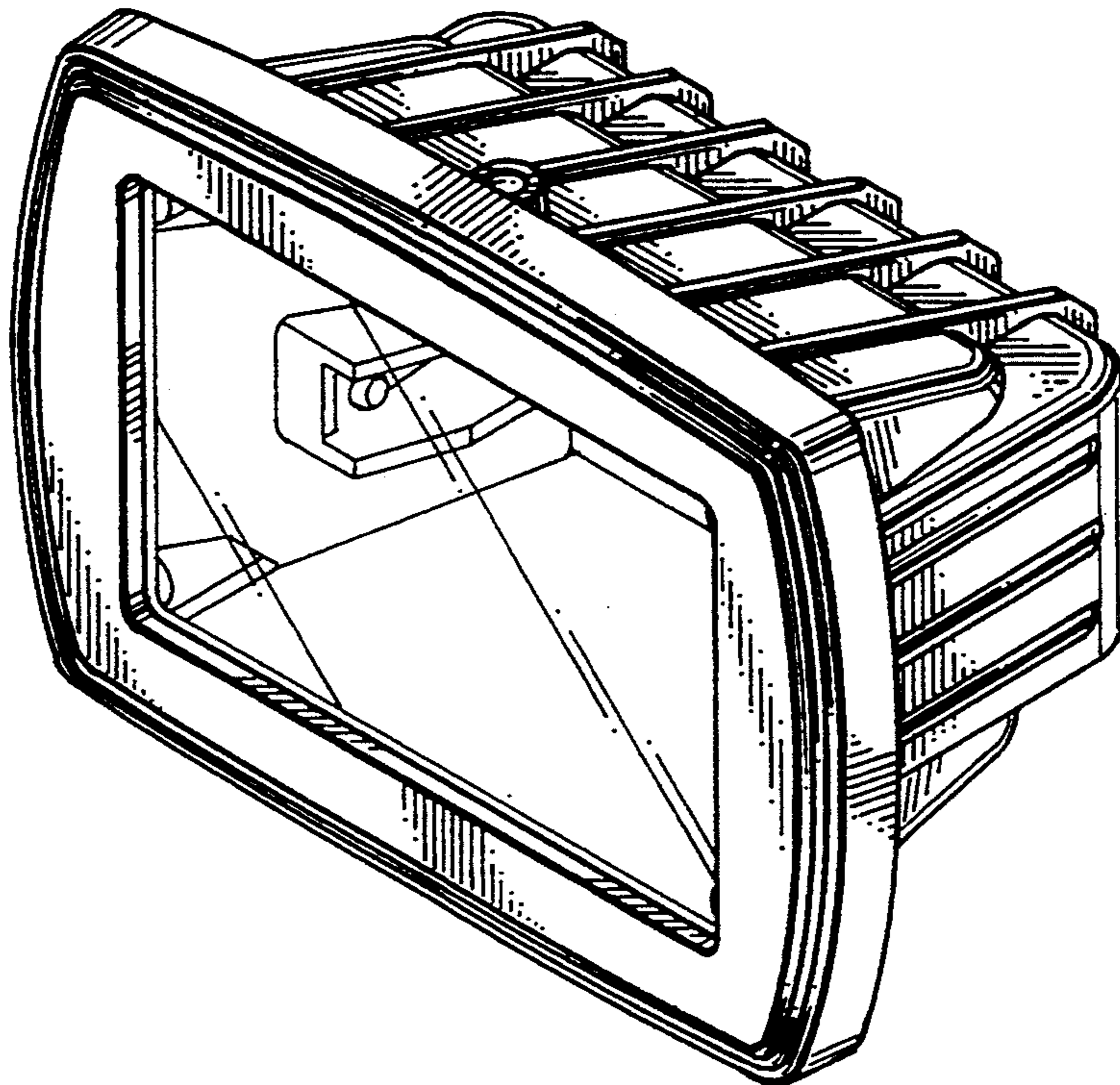
FIG. 6 is a top plan view thereof; and,

FIG. 7 is a bottom plan view thereof.

[56] **References Cited**

**U.S. PATENT DOCUMENTS**

D. 295,791 5/1988 Strandberg ..... D26/63



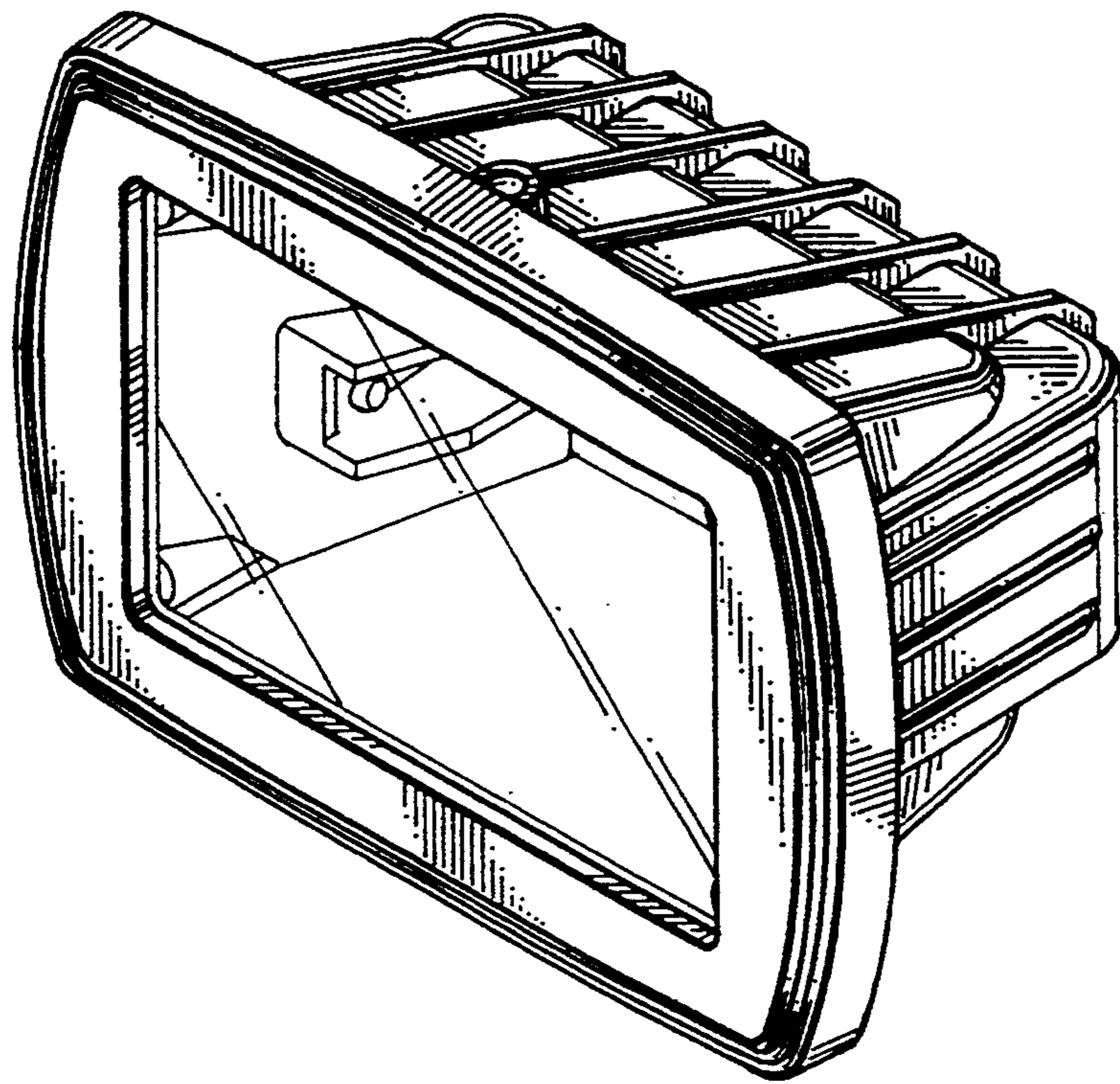


FIG.1

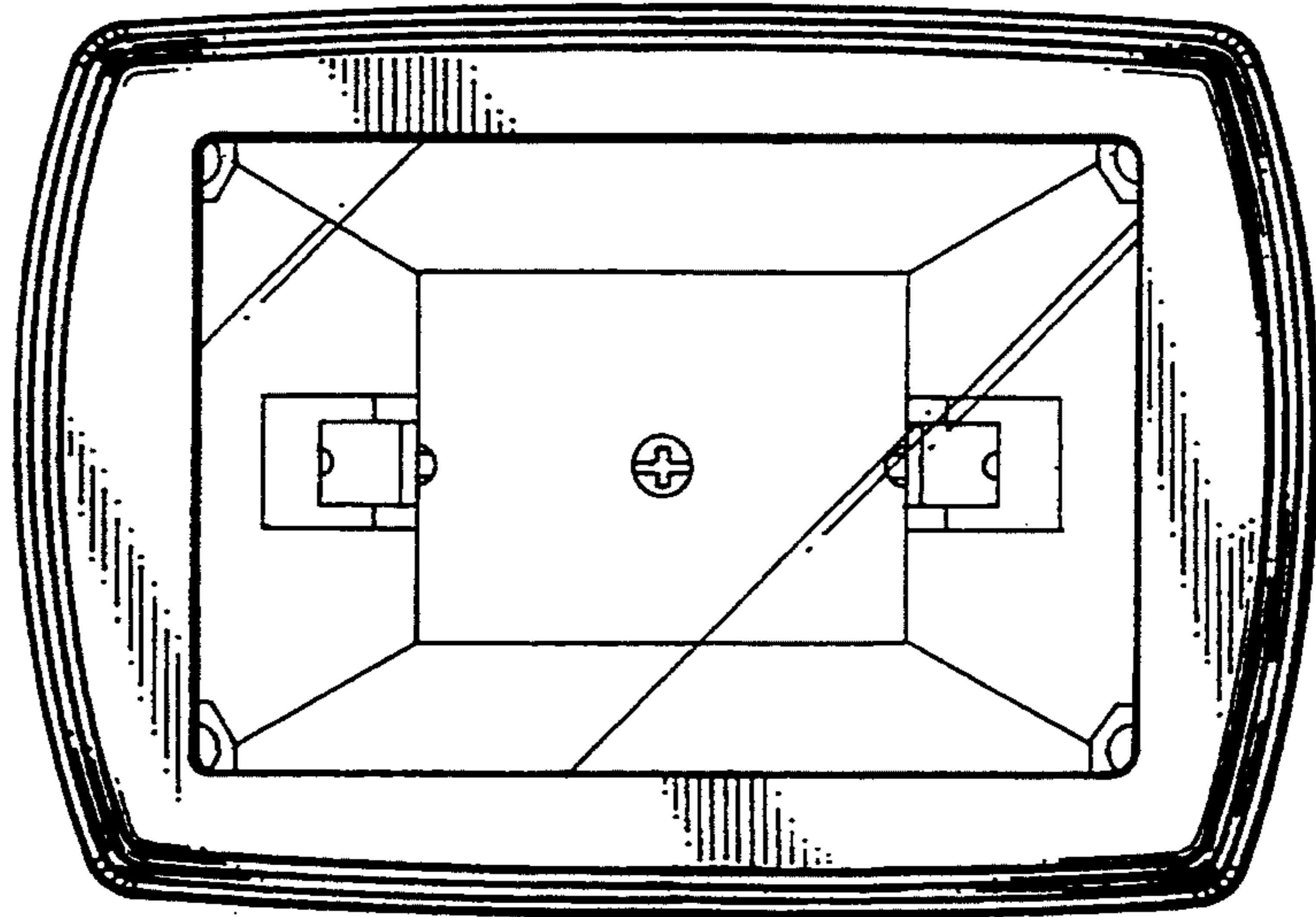


FIG. 2

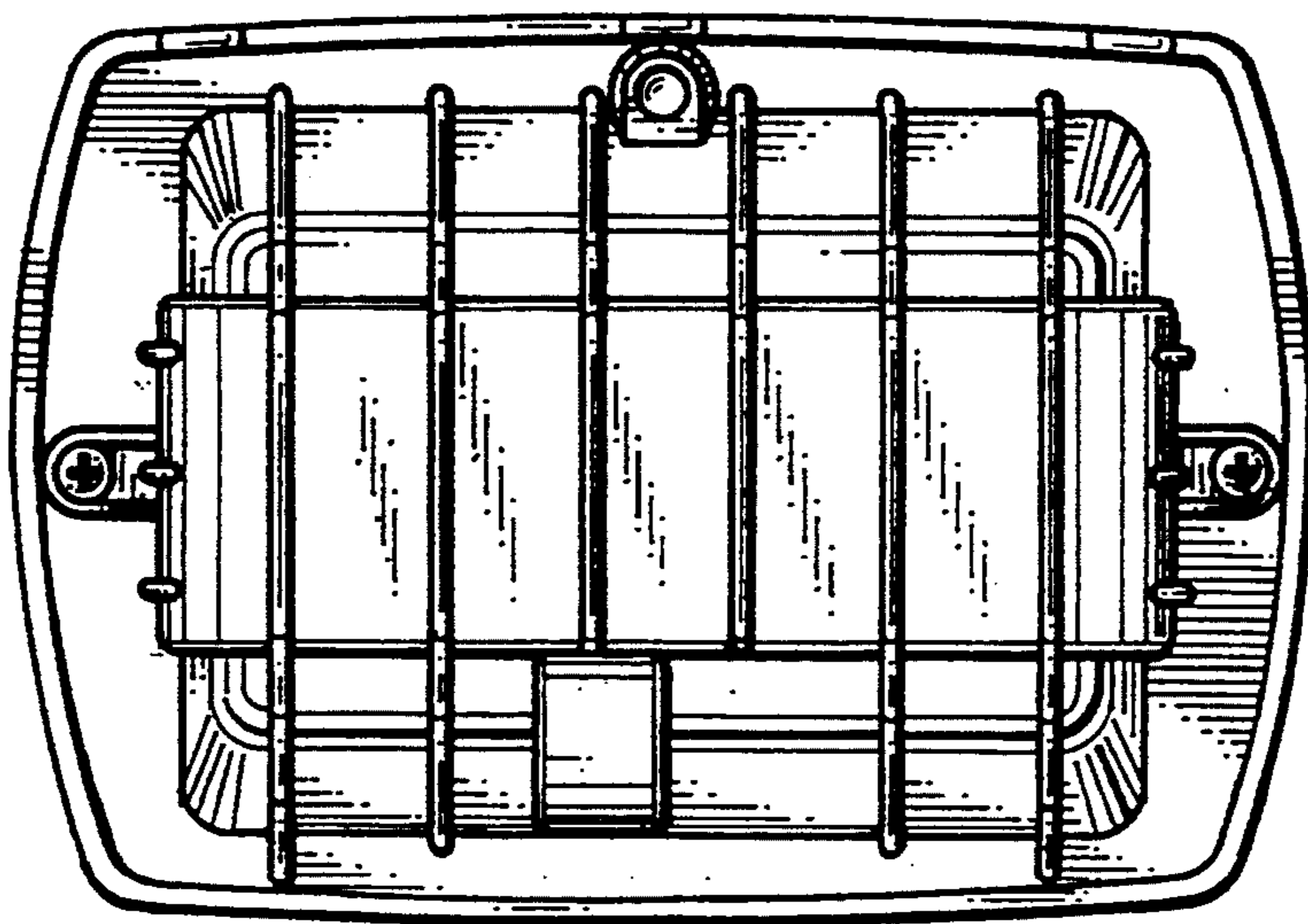


FIG. 3

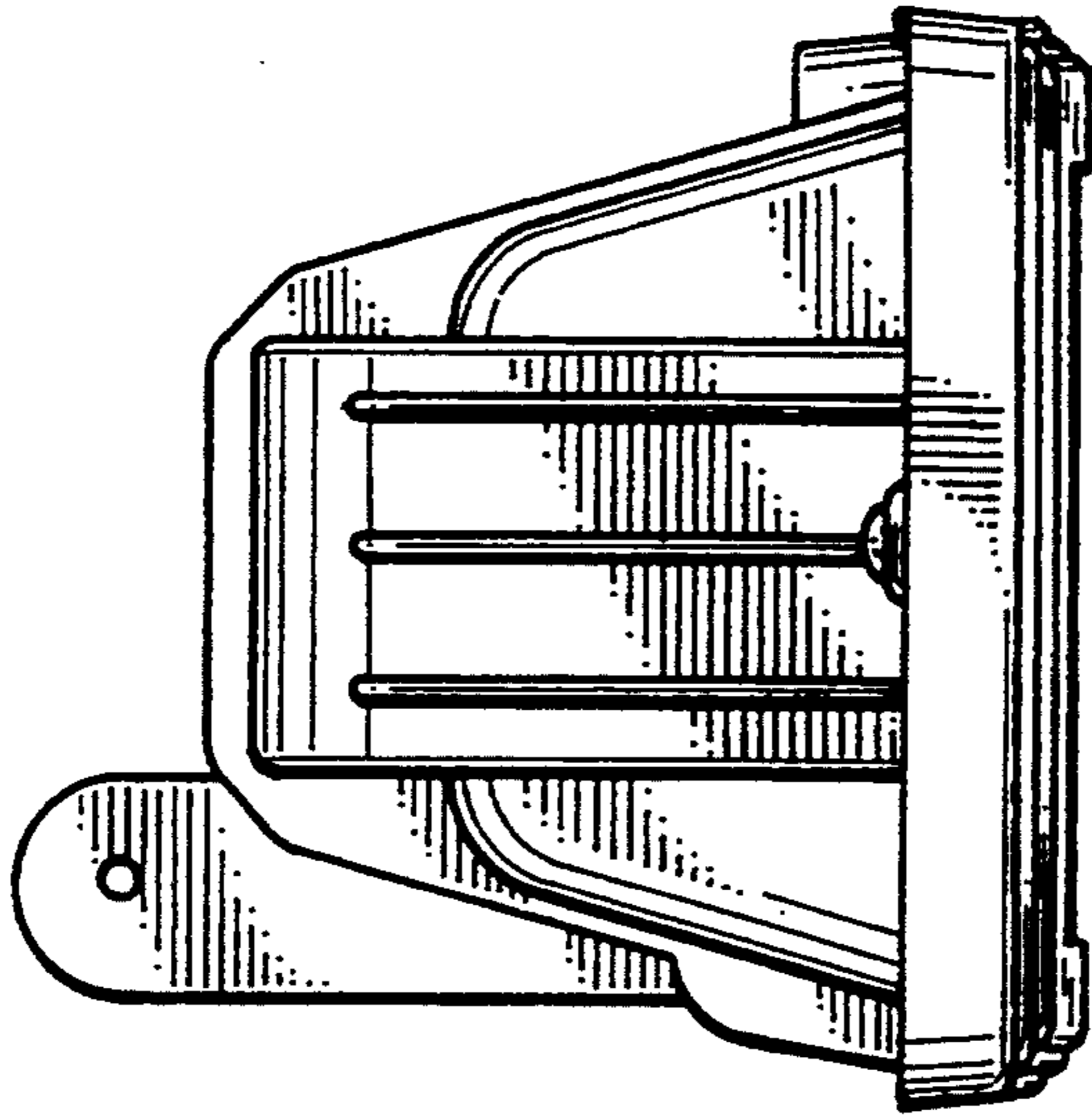


FIG. 4

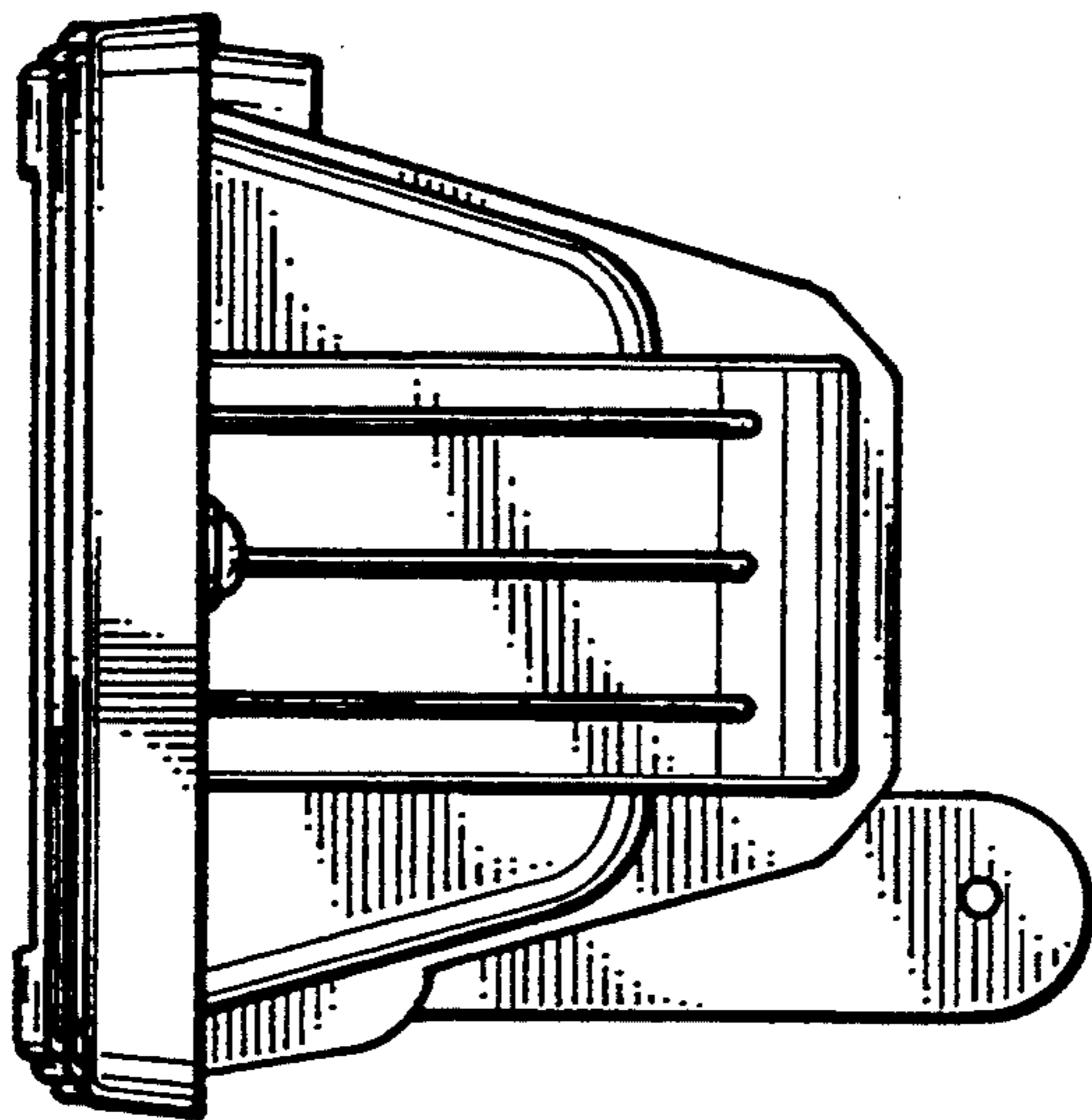


FIG. 5



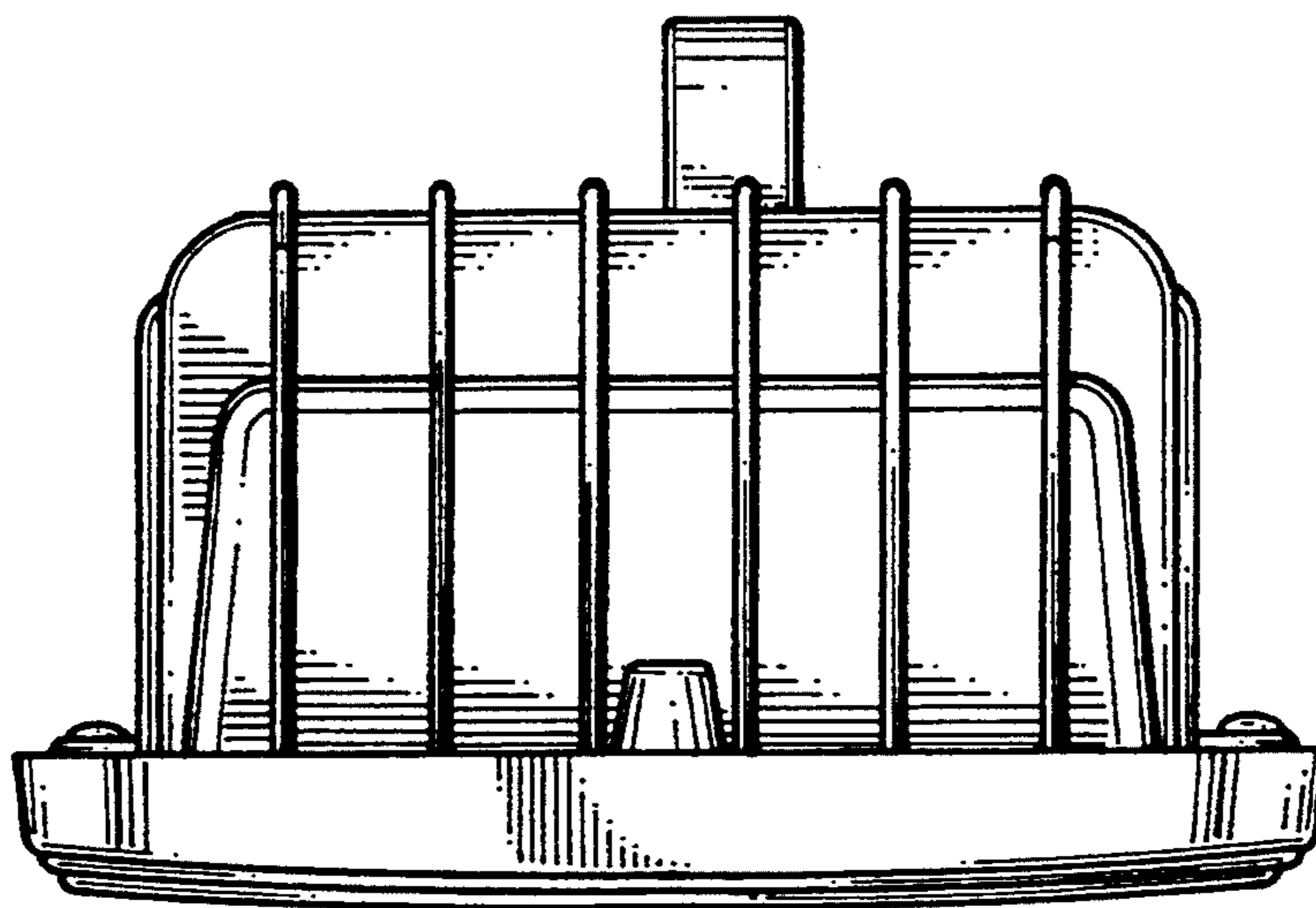


FIG. 6

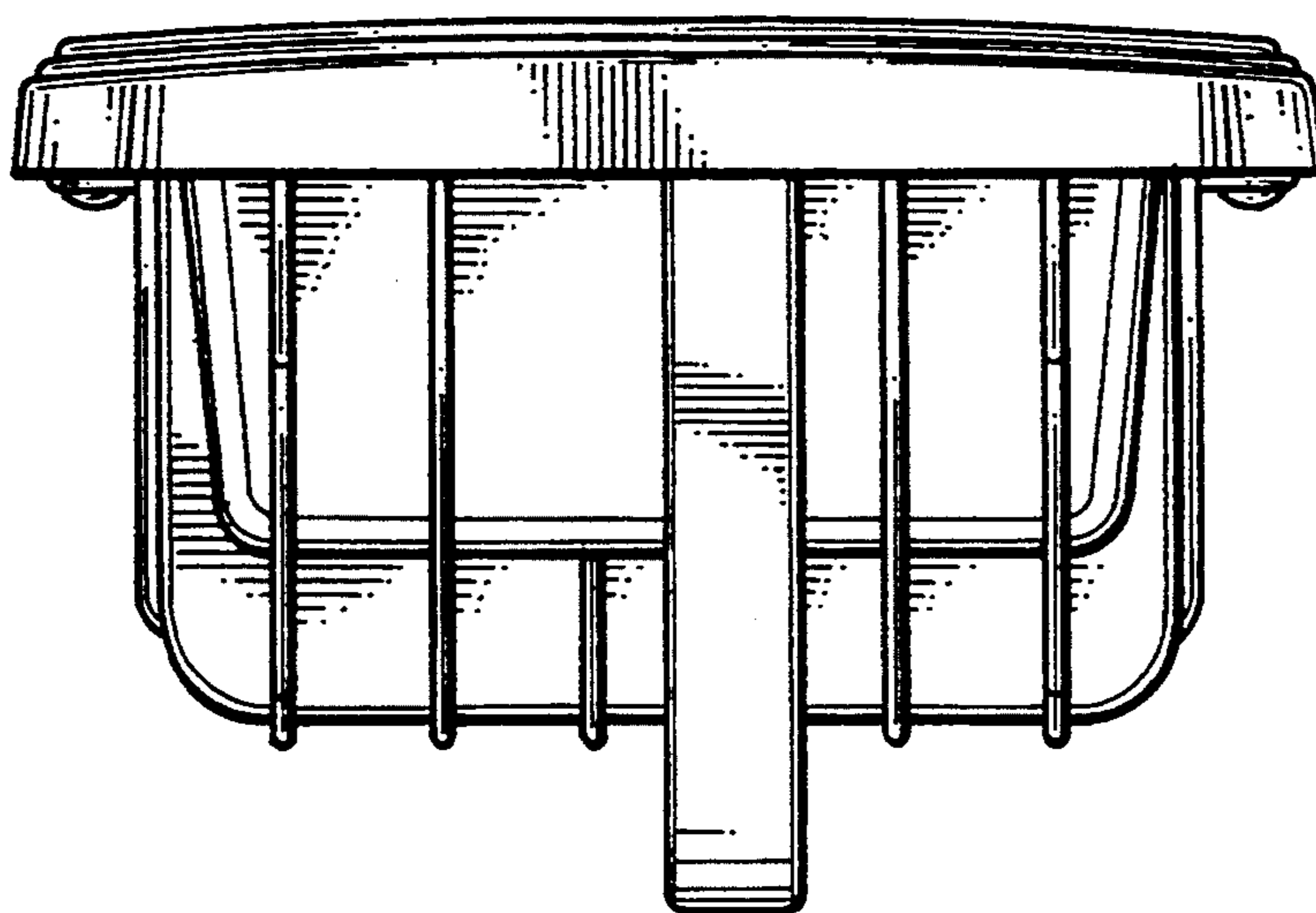


FIG. 7