



US00D355497S

United States Patent [19]

[11] Patent Number: **Des. 355,497**

Ancona et al.

[45] Date of Patent: **** Feb. 14, 1995**

[54] **NIGHT LIGHT**

[75] Inventors: **Bruce Ancona; Jane Ancona; Jose Padron**, all of New York, N.Y.

[73] Assignee: **American Tack & Hardware Co., Inc.**, Monsey, N.Y.

[**] Term: **14 Years**

[21] Appl. No.: **16,776**

[22] Filed: **Dec. 23, 1993**

[52] U.S. Cl. **D26/26**

[58] Field of Search **D26/26, 118, 119, 128, D26/130; 362/226, 806, 808**

[56] **References Cited**

U.S. PATENT DOCUMENTS

D. 79,979 11/1929 Ohm D26/128

D. 205,371 7/1966 Mellyn D26/26
D. 274,268 6/1984 Schwartz D26/26
D. 328,801 8/1992 Emmerling D26/26 X

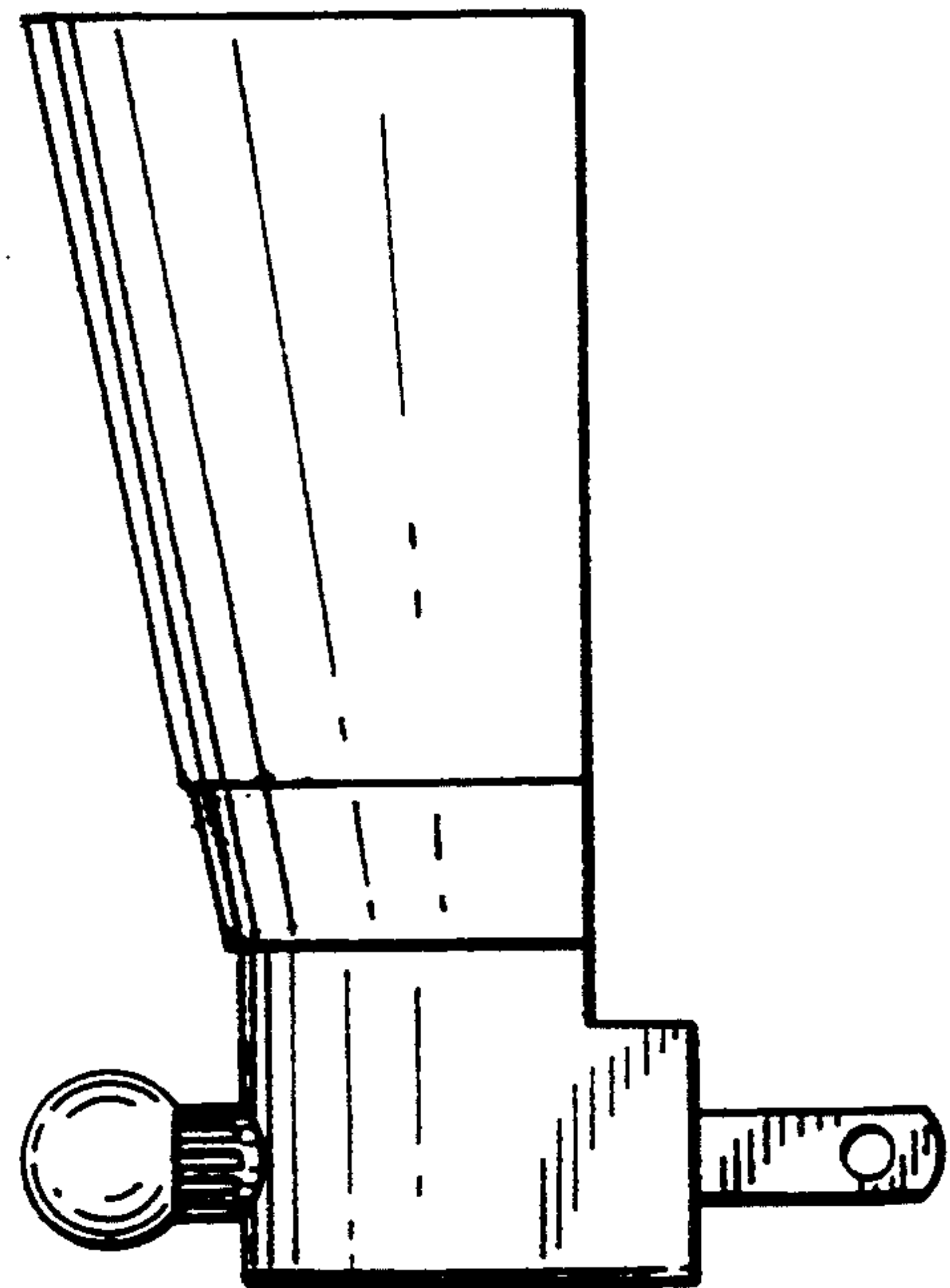
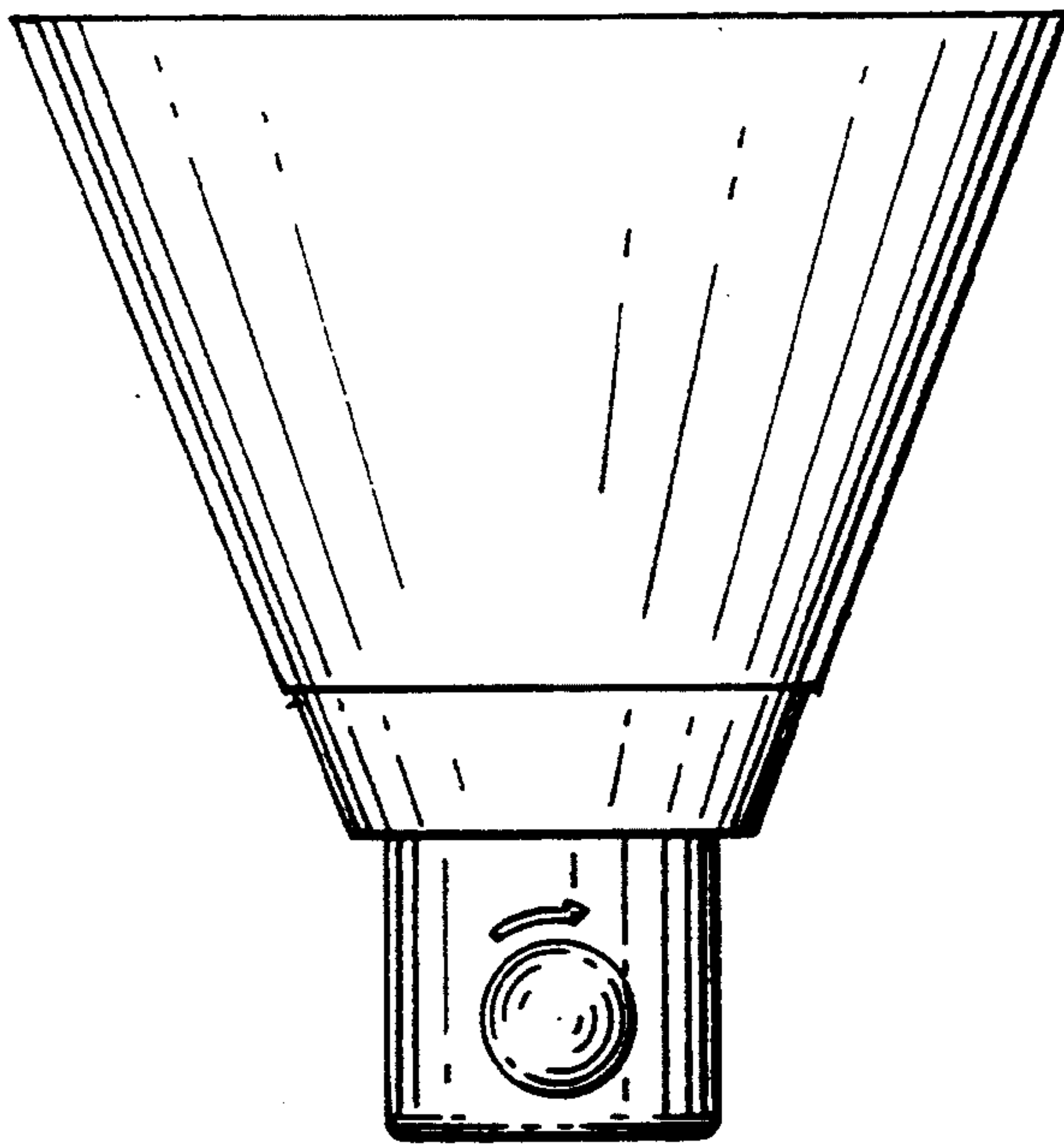
Primary Examiner—Susan J. Lucas
Assistant Examiner—Cynthia E. Ramirez
Attorney, Agent, or Firm—Douglas P. Dreyer

[57] CLAIM

The ornamental design for a night light, as shown and described.

DESCRIPTION

FIG. 1 is a front elevational view of a night light embodying our new design;
FIG. 2 is a right side elevational view thereof (the left side elevational view thereof being identical thereto);
FIG. 3 is a top plan view thereof; and,
FIG. 4 is a bottom plan view thereof.



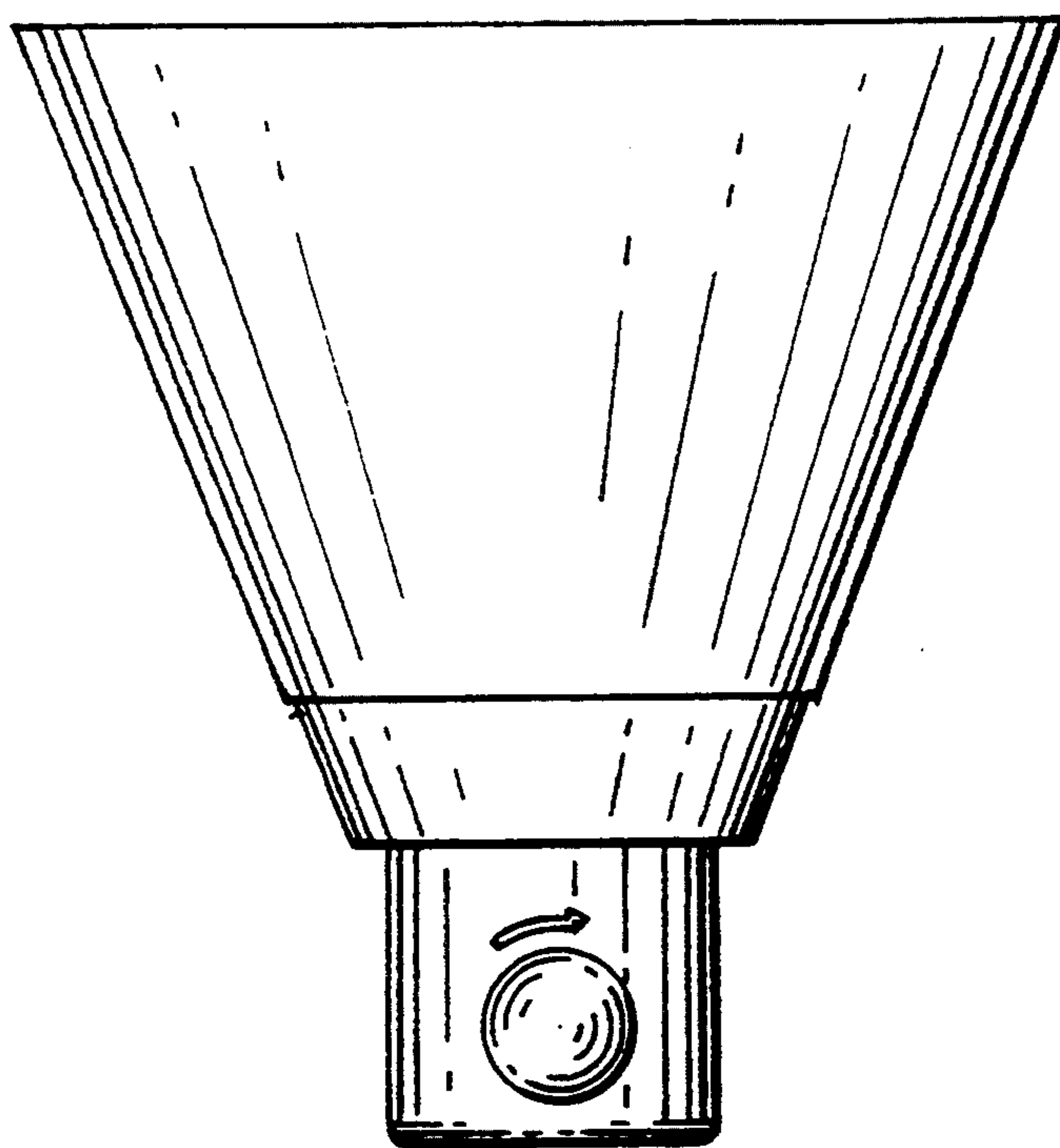


FIG. 1

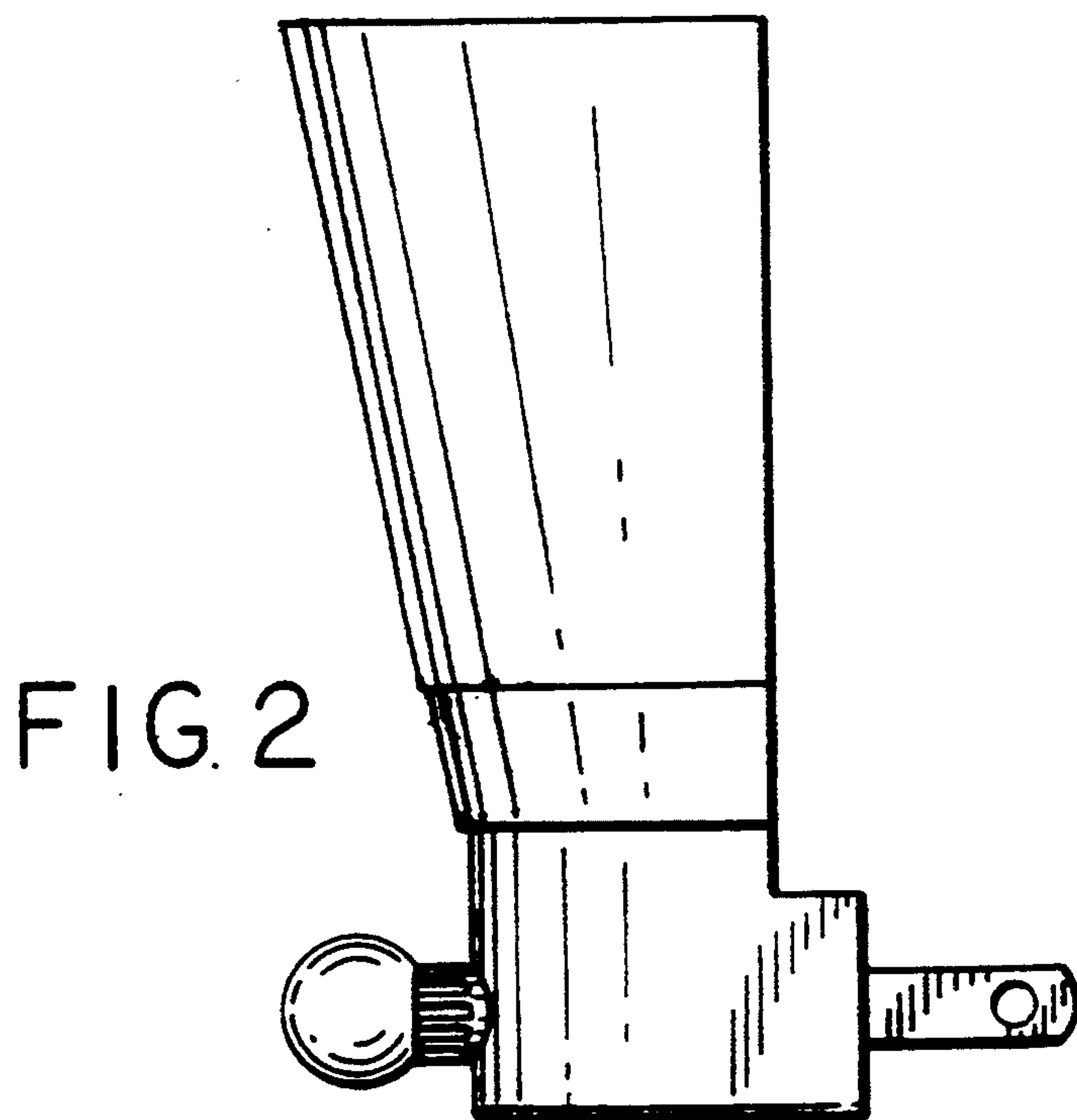


FIG. 2

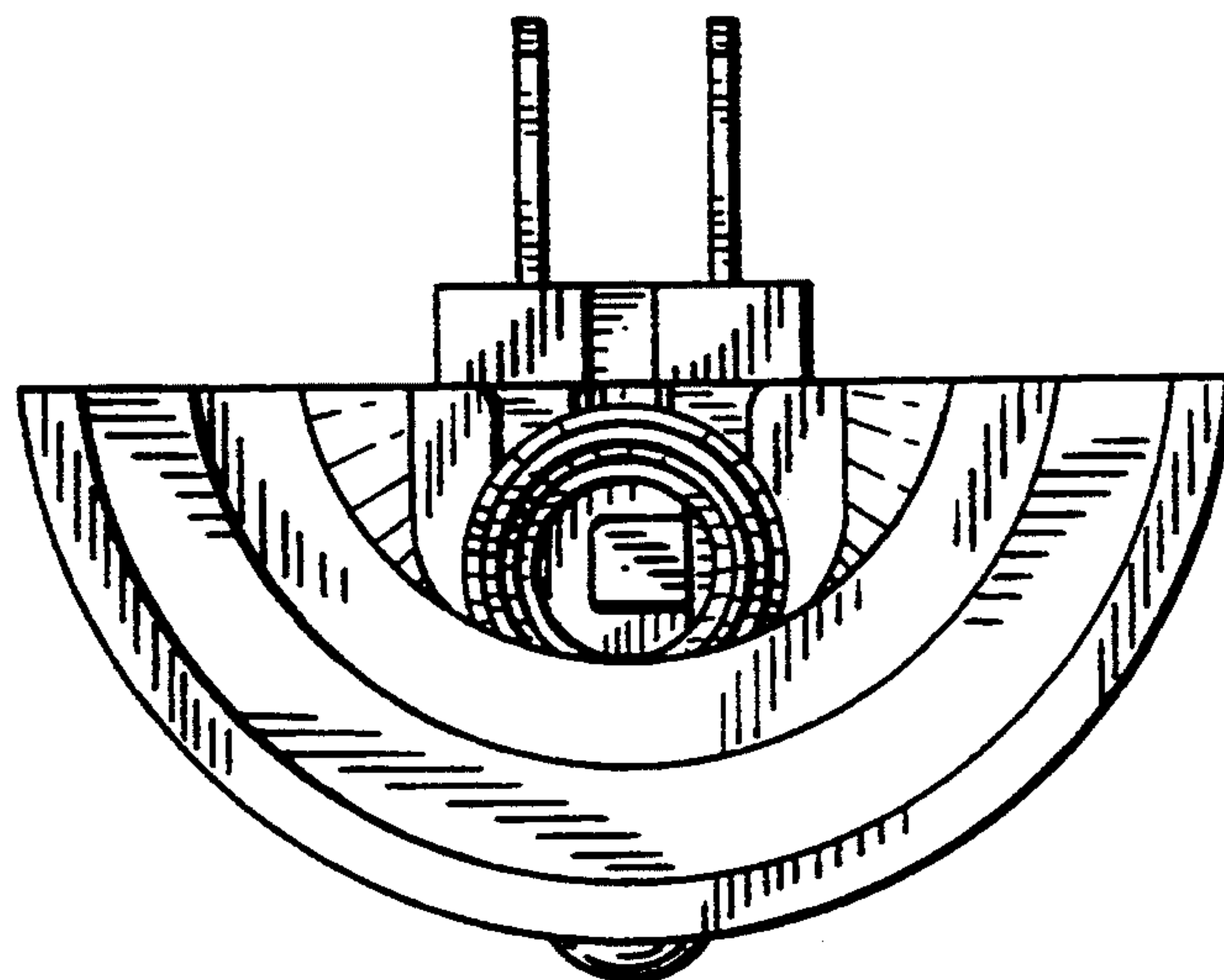


FIG. 3

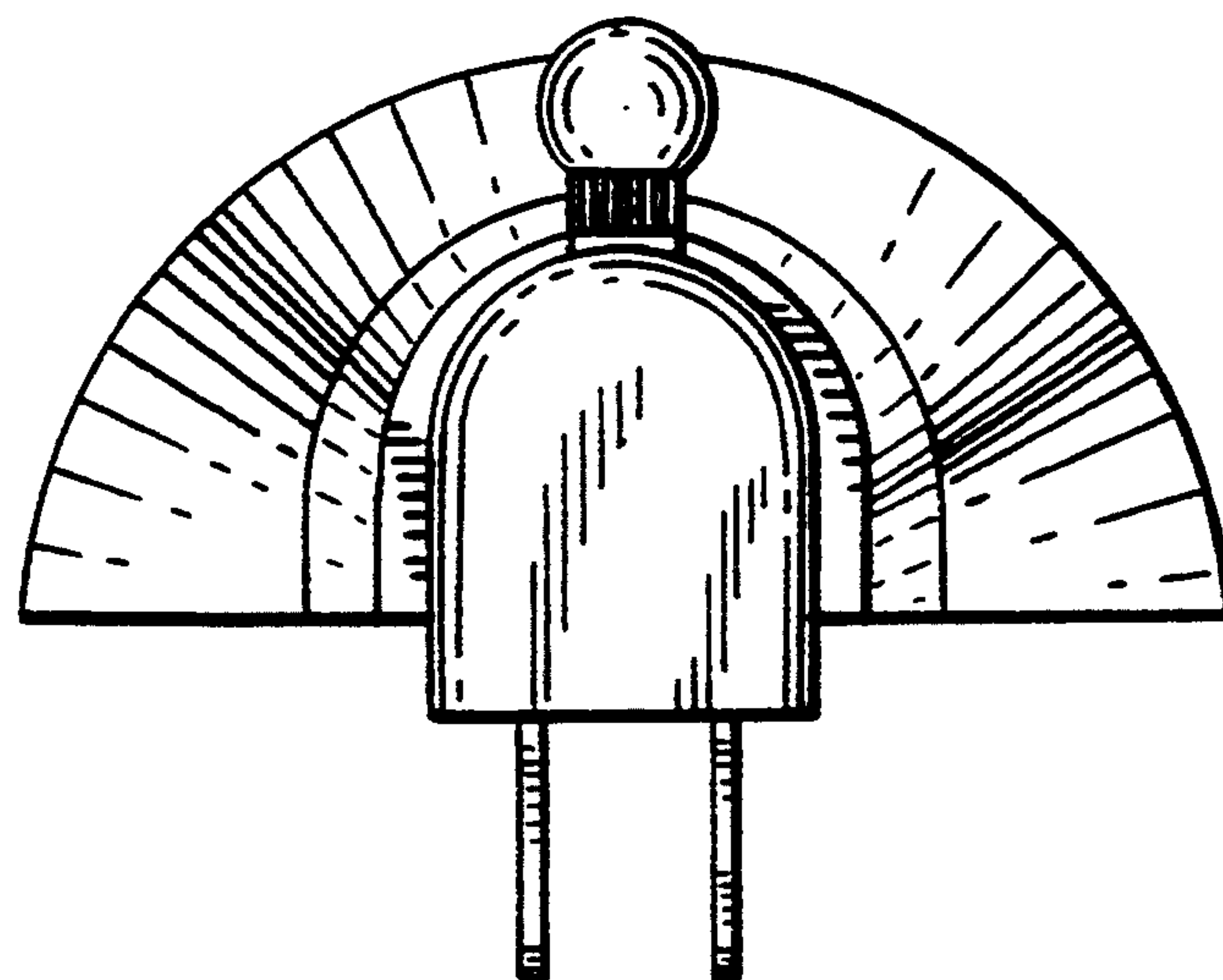


FIG. 4