



US00D355496S

# United States Patent [19] Franck

[11] Patent Number: Des. 355,496

[45] Date of Patent: \*\* Feb. 14, 1995

[54] COMPACT FLUORESCENT LAMP

[75] Inventor: Guenter Franck, Ebenhausen, Germany

[73] Assignee: Osram GmbH, Munich, Germany

[\*\*] Term: 14 Years

[21] Appl. No.: 14,329

[22] Filed: Oct. 18, 1993

[30] Foreign Application Priority Data

May 4, 1993 [DE] Germany ..... M9303660

[52] U.S. Cl. .... D26/3

[58] Field of Search ..... D26/1, 2, 3, 4, 26;  
313/315, 317, 318, 115, 116, 493; 362/217, 297,  
307, 309, 310, 311, 326, 337, 338, 339

[56] References Cited

### U.S. PATENT DOCUMENTS

D. 295,082	4/1988	Nakamura et al. ....	D26/3
D. 295,083	4/1988	Nakamura et al. ....	D26/3
D. 321,502	11/1991	Ilemo .....	D26/3
D. 329,710	9/1992	Muller et al. ....	D26/3
D. 339,646	9/1993	Lim .....	D26/3

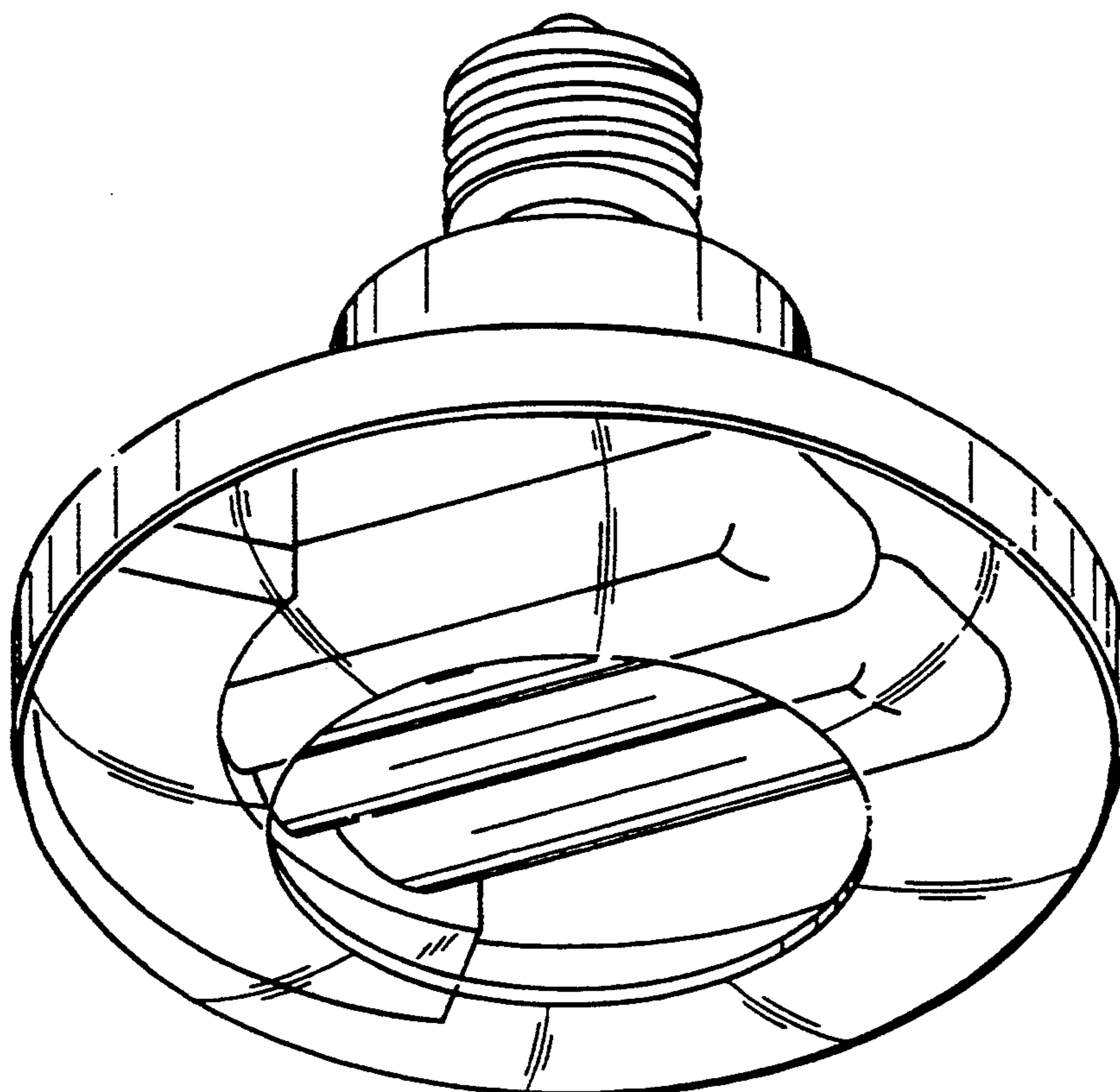
Primary Examiner—Wallace R. Burke  
Assistant Examiner—Marcus Jackson  
Attorney, Agent, or Firm—Frishauf, Holtz, Goodman & Woodward

[57] CLAIM

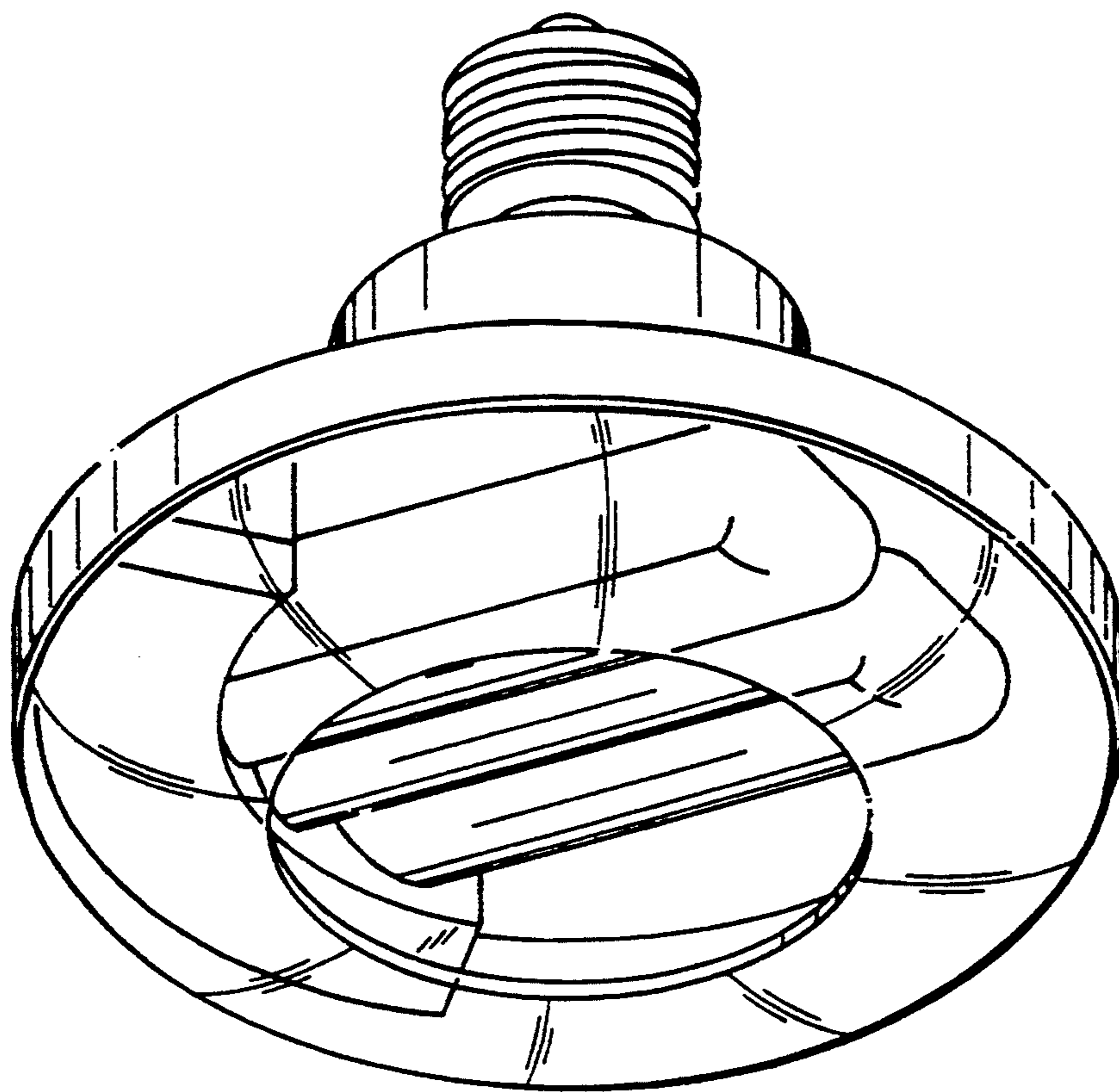
The ornamental design for a compact fluorescent lamp, as shown and described.

### DESCRIPTION

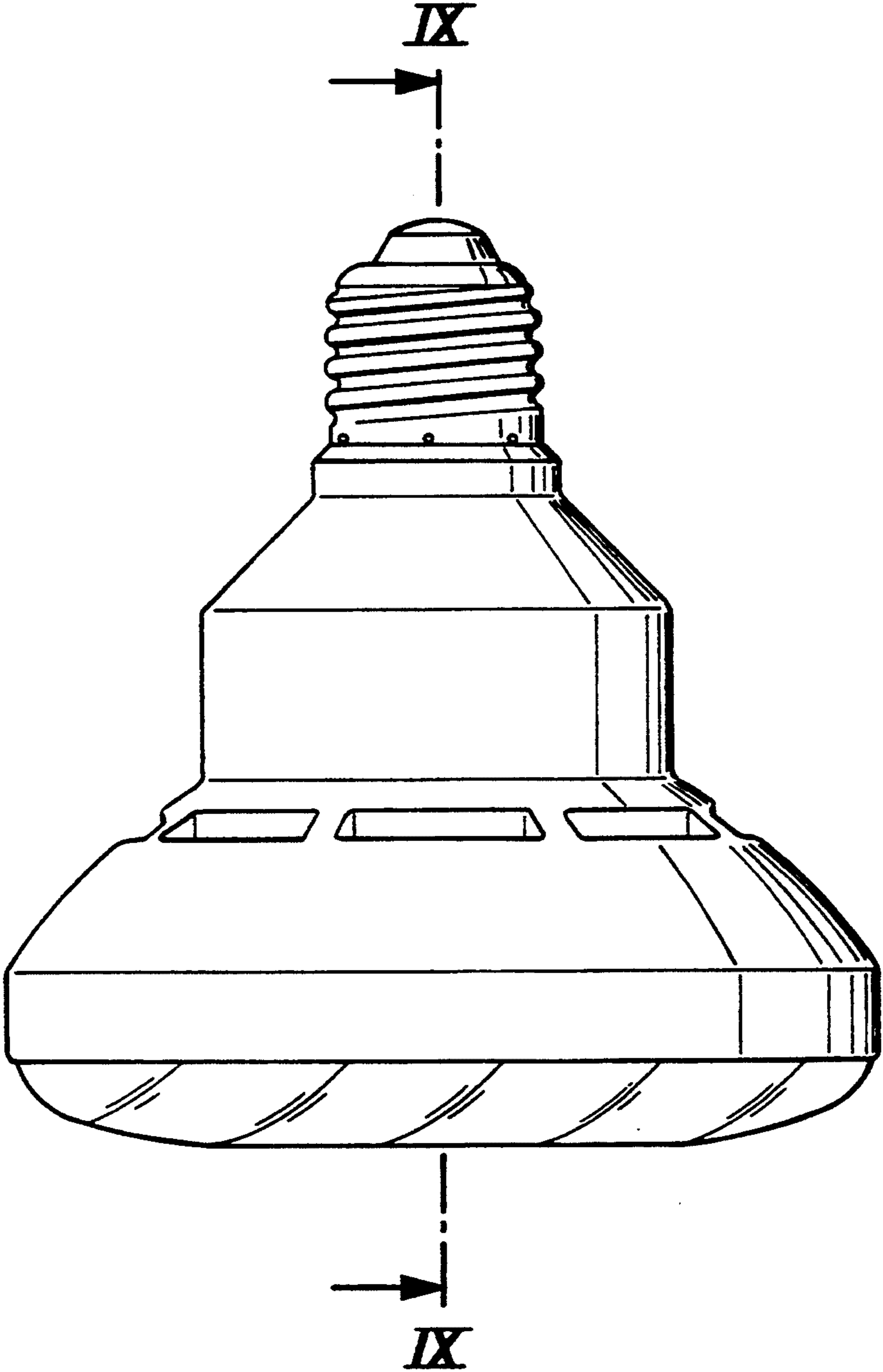
FIG. 1 is a perspective view of a compact fluorescent lamp showing my new design;  
FIG. 2 is a side elevational view thereof, with the opposite side being a mirror image;  
FIG. 3 is a bottom plan view thereof;  
FIG. 4 is a top plan view thereof;  
FIG. 5 is a perspective view of a second embodiment thereof;  
FIG. 6 is a side elevational view thereof, with the opposite side being a mirror image;  
FIG. 7 is a bottom plan view thereof;  
FIG. 8 is a top plan view thereof;  
FIG. 9 is a partial sectional view taken along line IX-IX of FIG. 2; and,  
FIG. 10 is a partial sectional view taken along line IX-IX of FIG. 6.



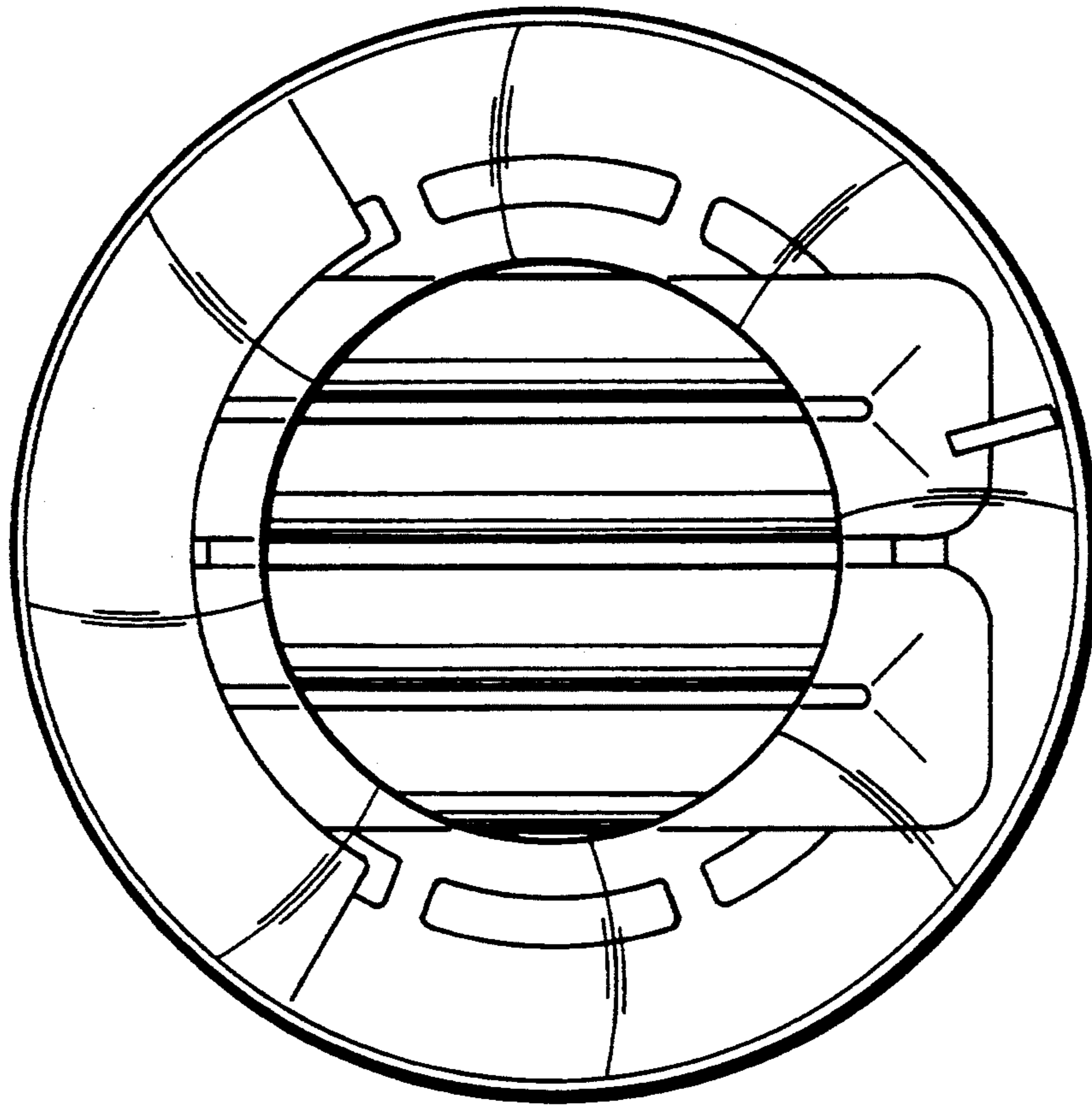
***Fig. 1***



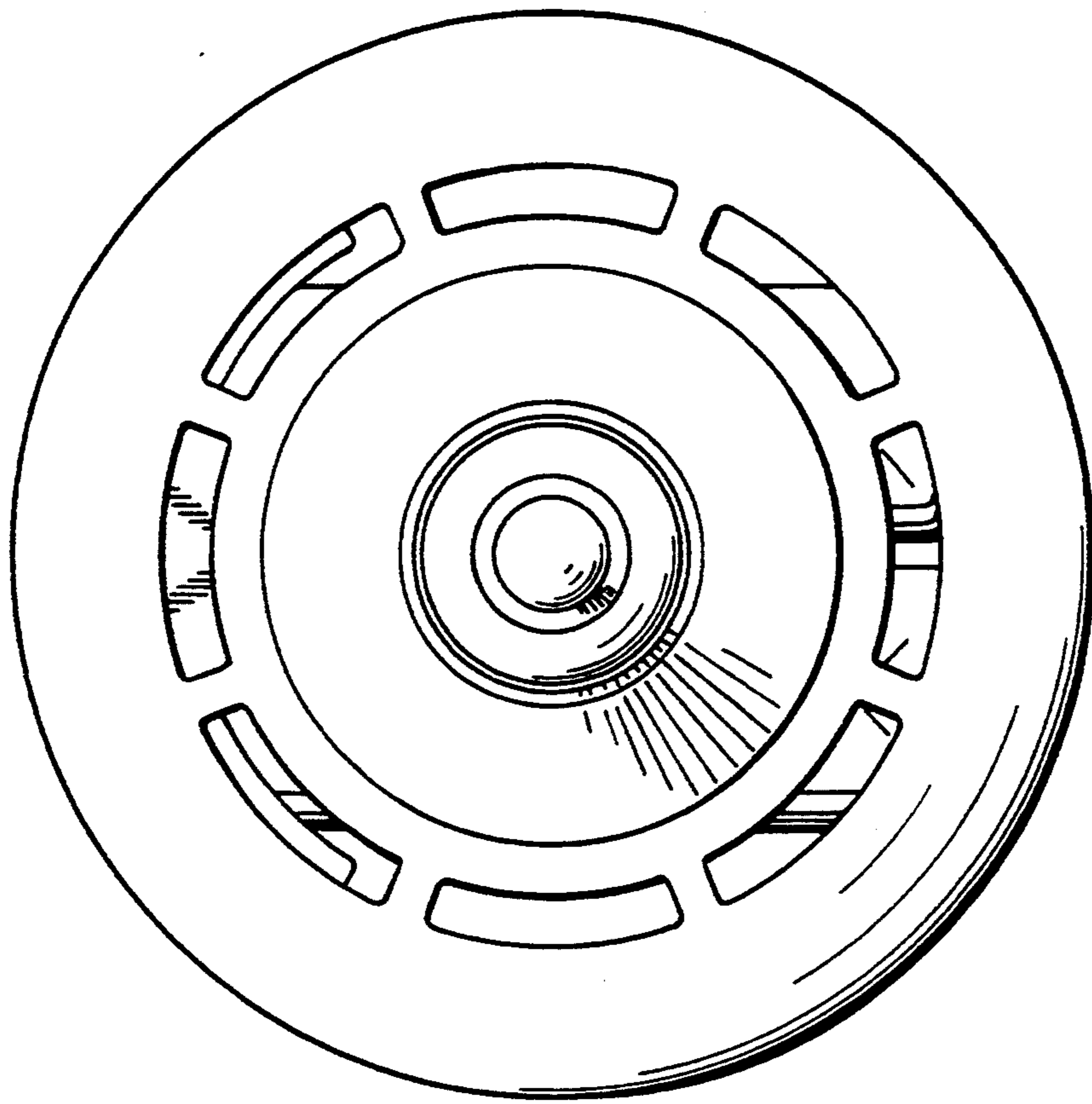
**Fig. 2**



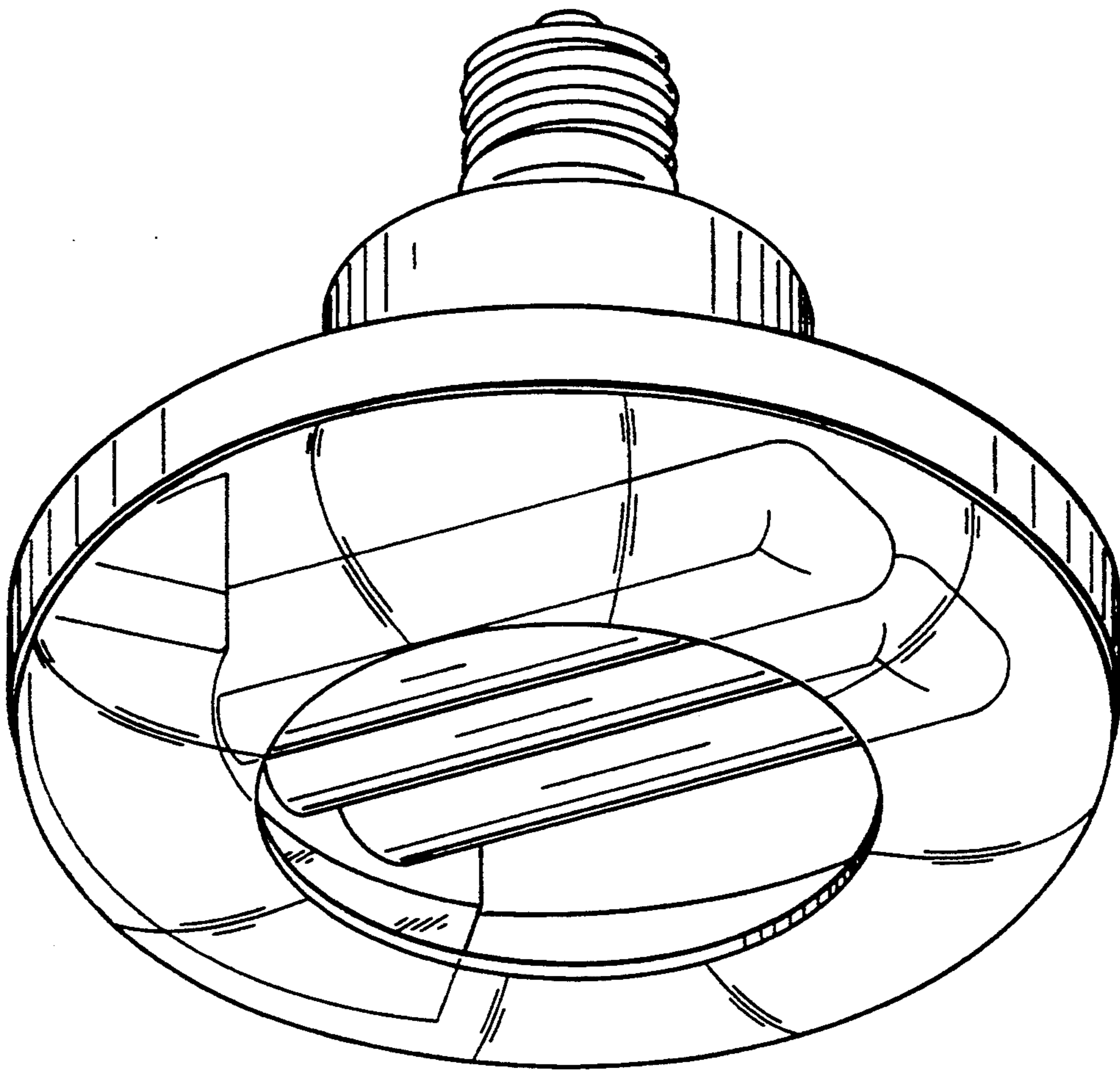
***Fig. 3***



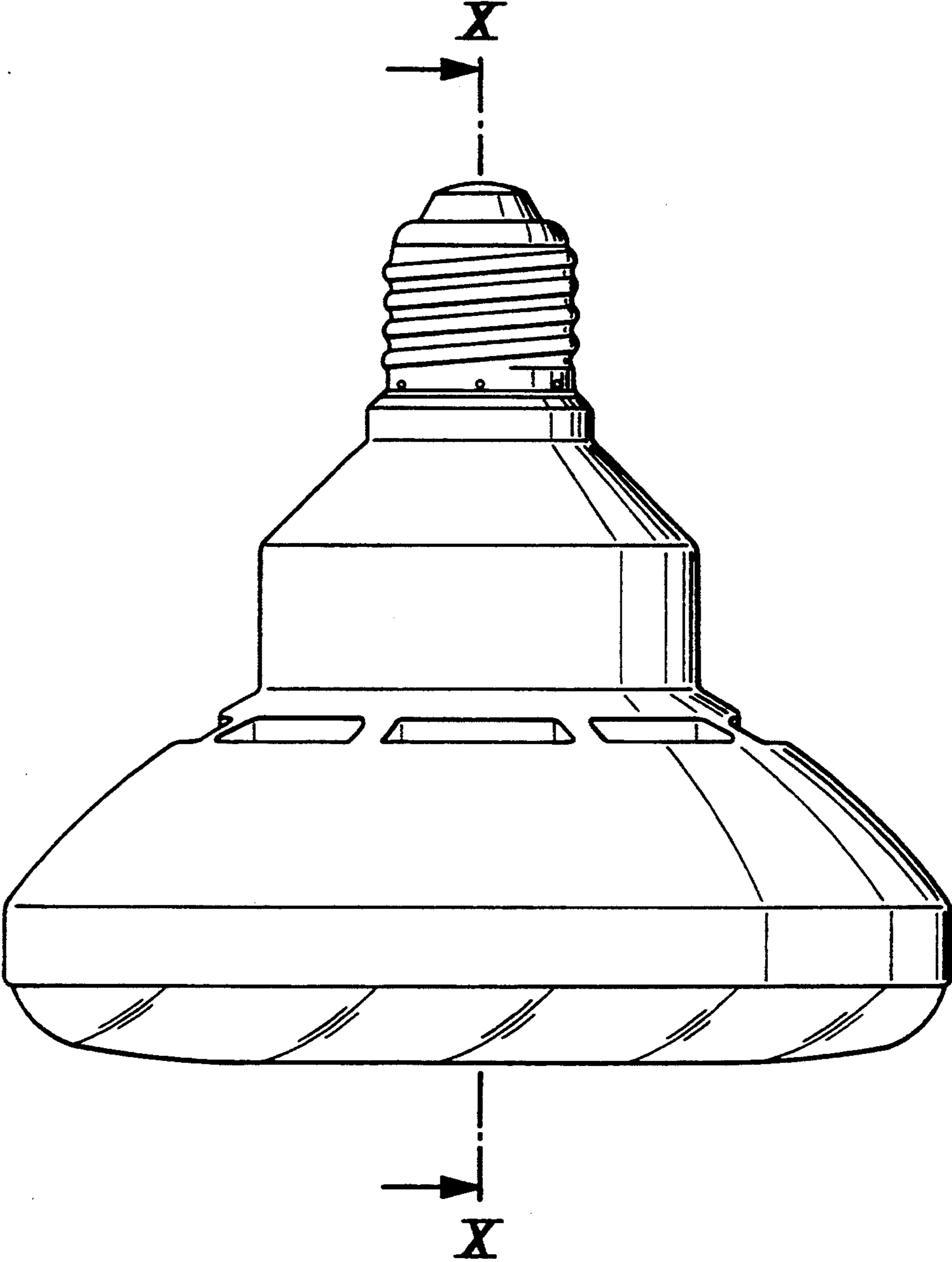
***Fig. 4***



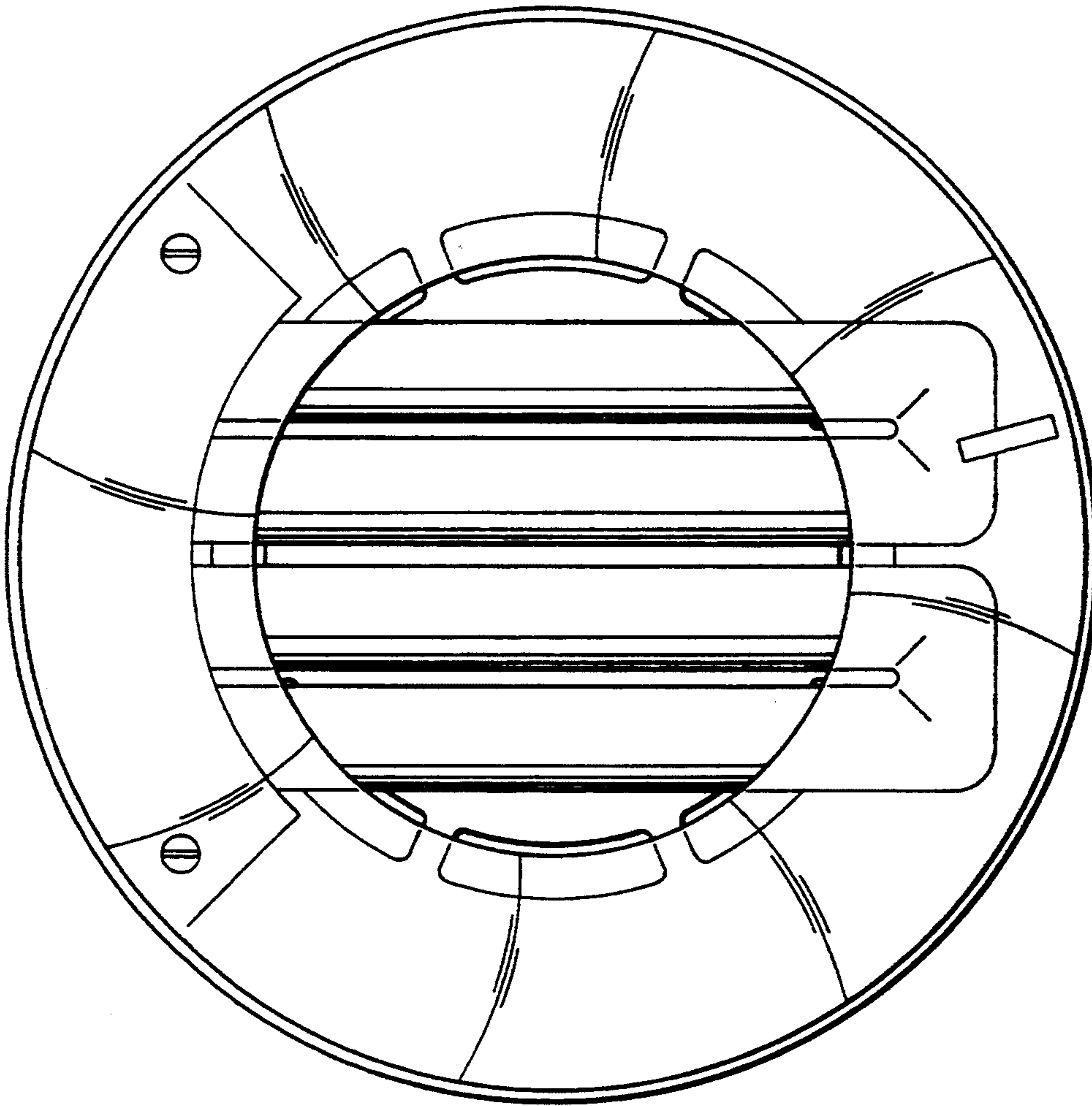
***Fig. 5***



***Fig. 6***

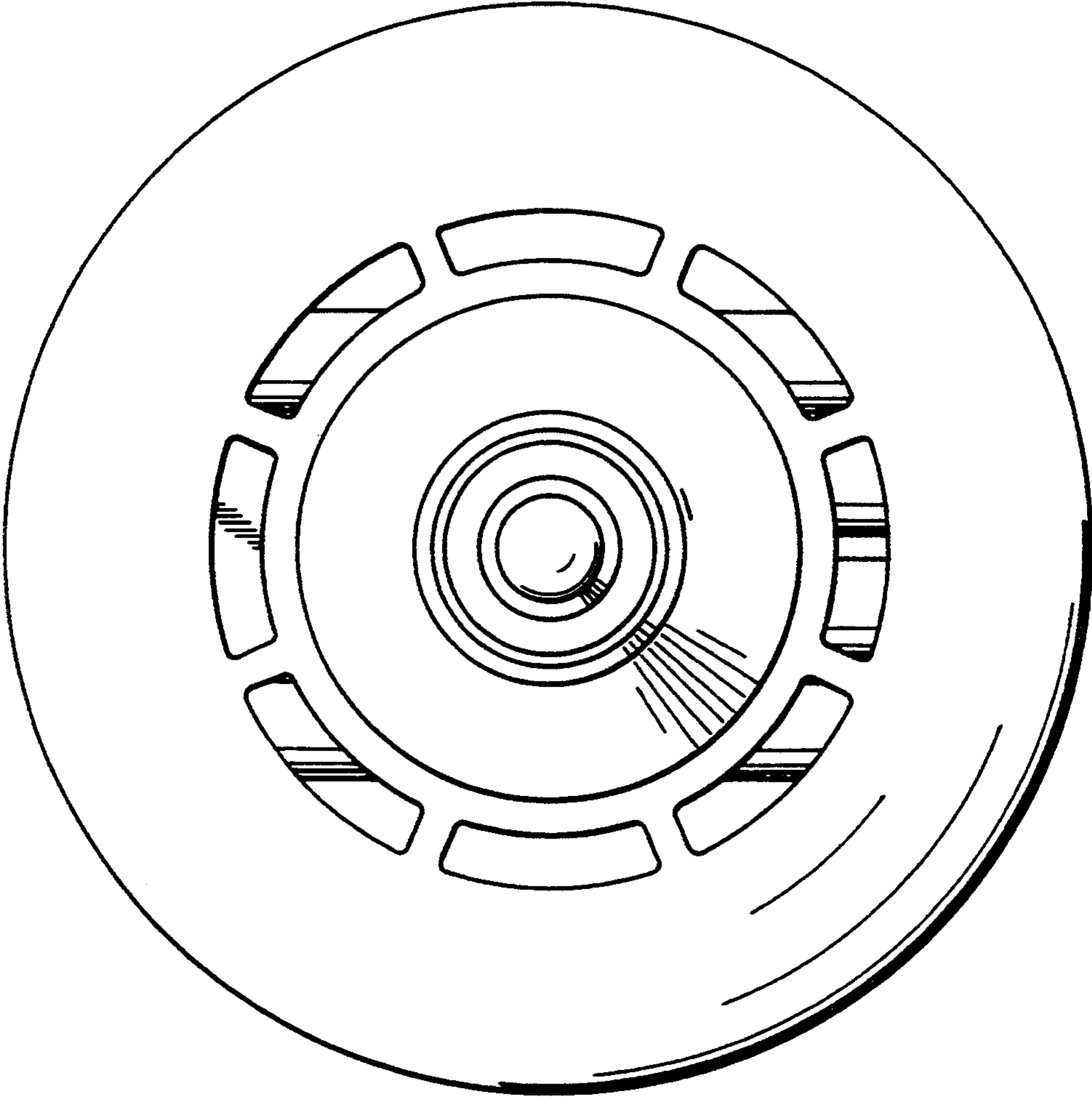


***Fig. 7***

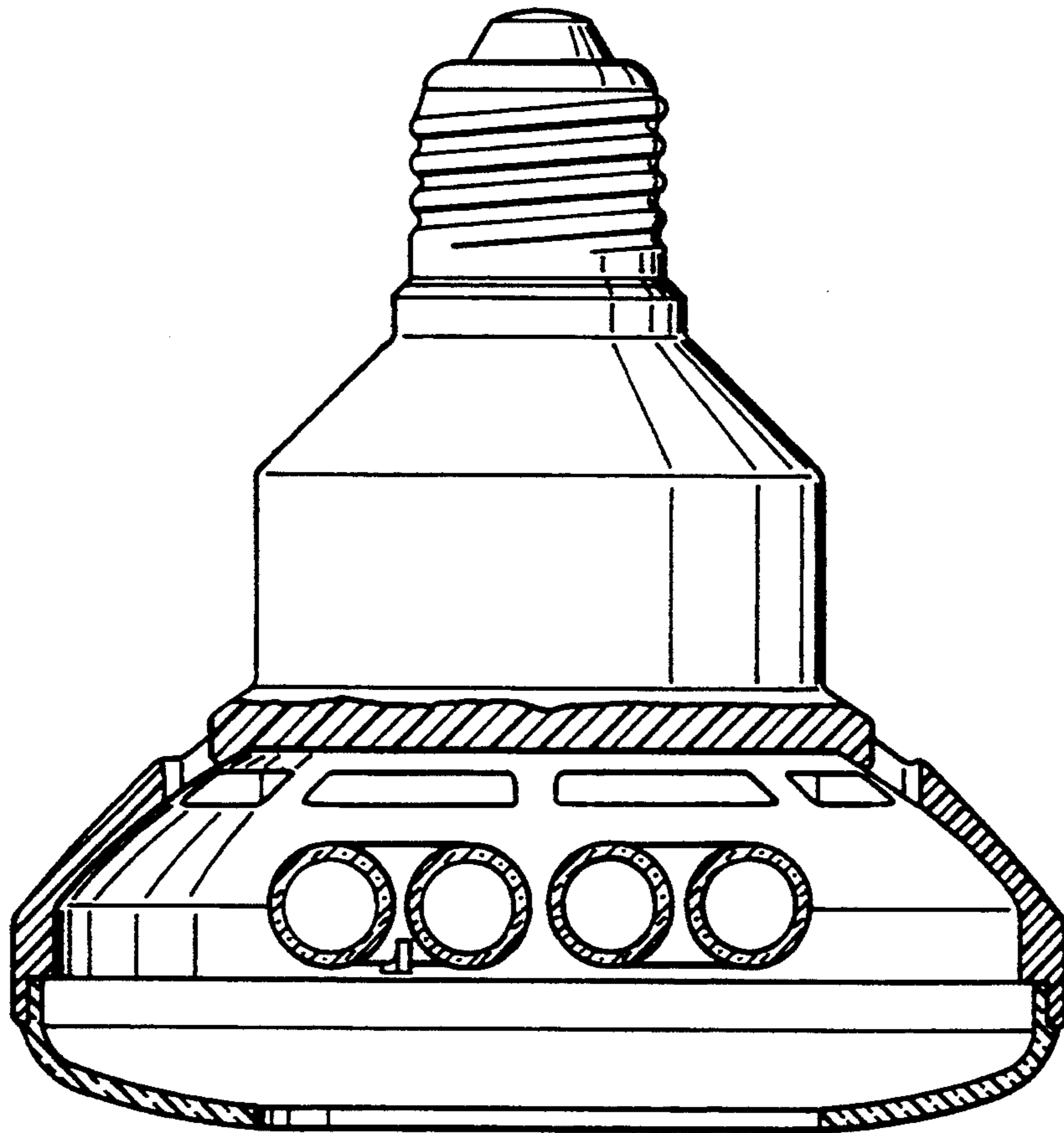




***Fig. 8***



***Fig. 9***



***Fig. 10***

