



US00D355493S

United States Patent [19]

[11] Patent Number: **Des. 355,493**

Gropper et al.

[45] Date of Patent: **** Feb. 14, 1995**

[54] **SLIDE IMMUNOASSAY DETECTION SYSTEM**

[75] Inventors: **Adrian Gropper, Watertown; Stephen Rettew, Harvard, both of Mass.**

[73] Assignee: **Cambridge Blotech Corporation, Worcester, Mass.**

[**] Term: **14 Years**

[21] Appl. No.: **3,579**

[22] Filed: **Jan. 8, 1993**

[52] U.S. Cl. **D24/216; D10/81**

[58] Field of Search **D24/216; 422/68.1, 72; 435/5, 7.9; D10/81**

[56] **References Cited**

U.S. PATENT DOCUMENTS

3,770,380	11/1973	Smith	435/5 X
5,073,482	12/1991	Goldstein	435/5
5,137,804	8/1992	Greene et al.	435/5
5,212,065	5/1993	Pegg et al.	435/5 X

Primary Examiner—Alan P. Douglas
Assistant Examiner—Antoine D. Davis
Attorney, Agent, or Firm—Sterne, Kessler, Goldstein & Fox

[57] **CLAIM**

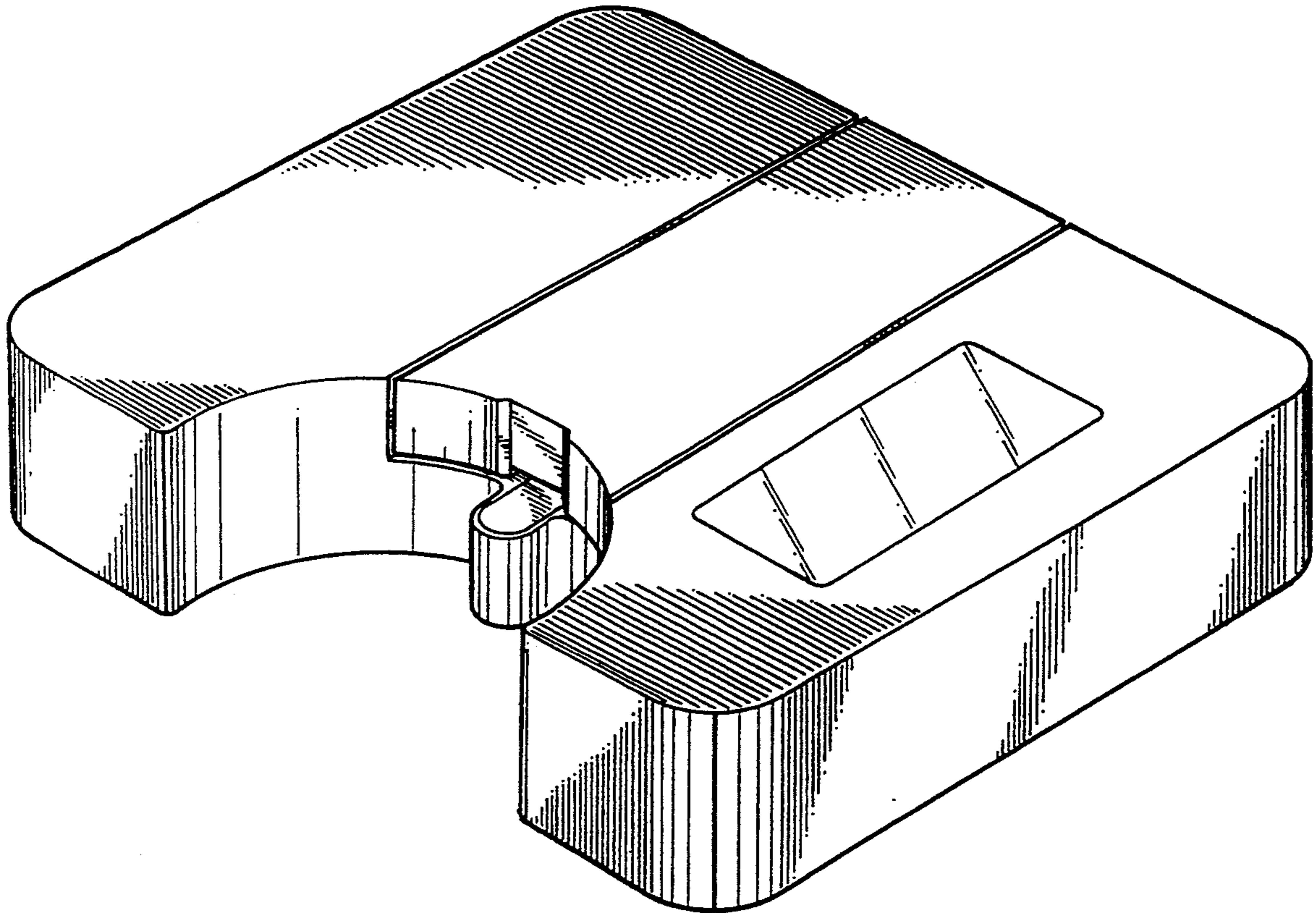
The ornamental design for a slide immunoassay detection system, as shown and described.

DESCRIPTION

FIG. 1 is a front elevational view of a slide immunoassay detection system showing our new design; FIG. 2 is a left side elevational view thereof; FIG. 3 is a right side elevational view thereof; FIG. 4 is a rear elevational view thereof; FIG. 5 is a top plan view thereof; and, FIG. 6 is a front perspective view thereof.

The bottom of the slide immunoassay detection system is unornamented.

The broken line showing of rubber feet in the figures is environmental only and forms no part of the claimed design.



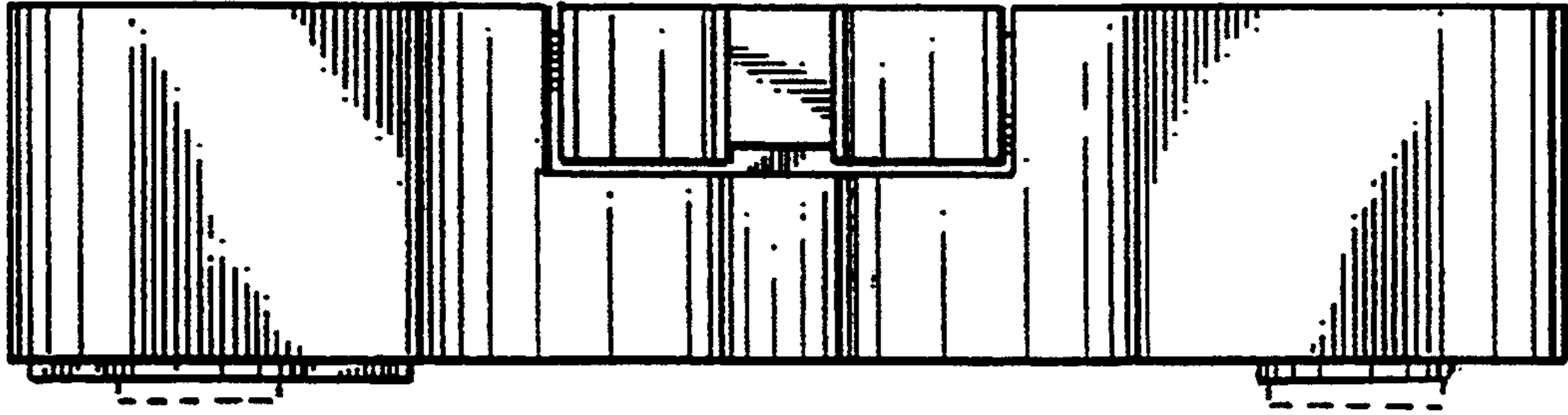


FIG. 1

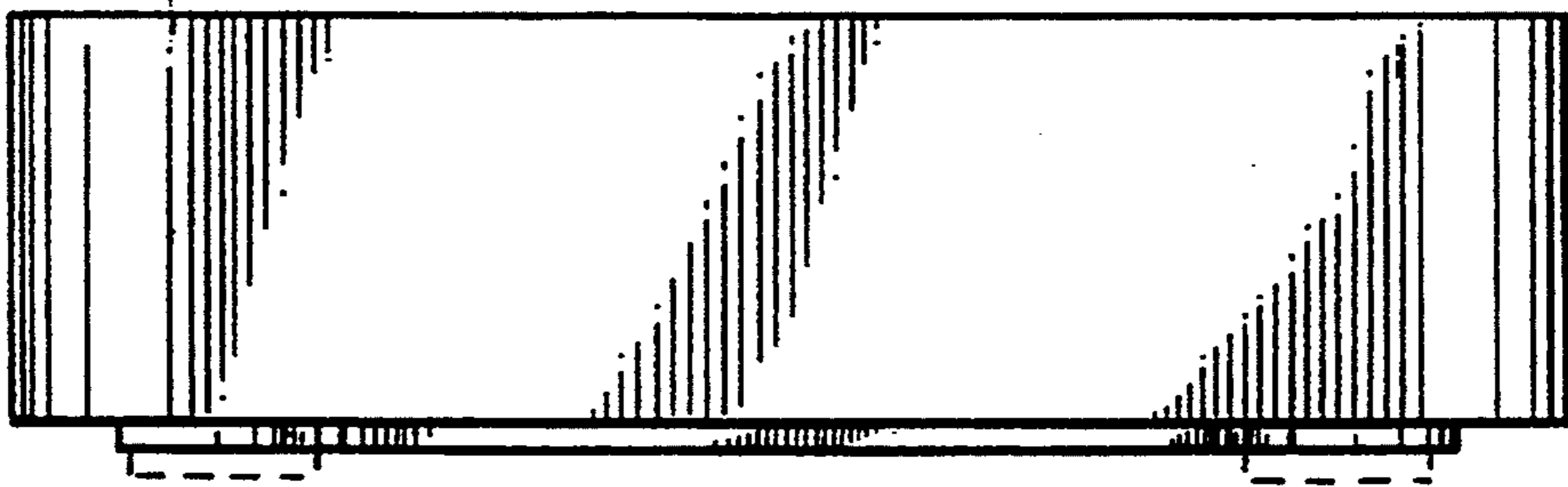


FIG. 2

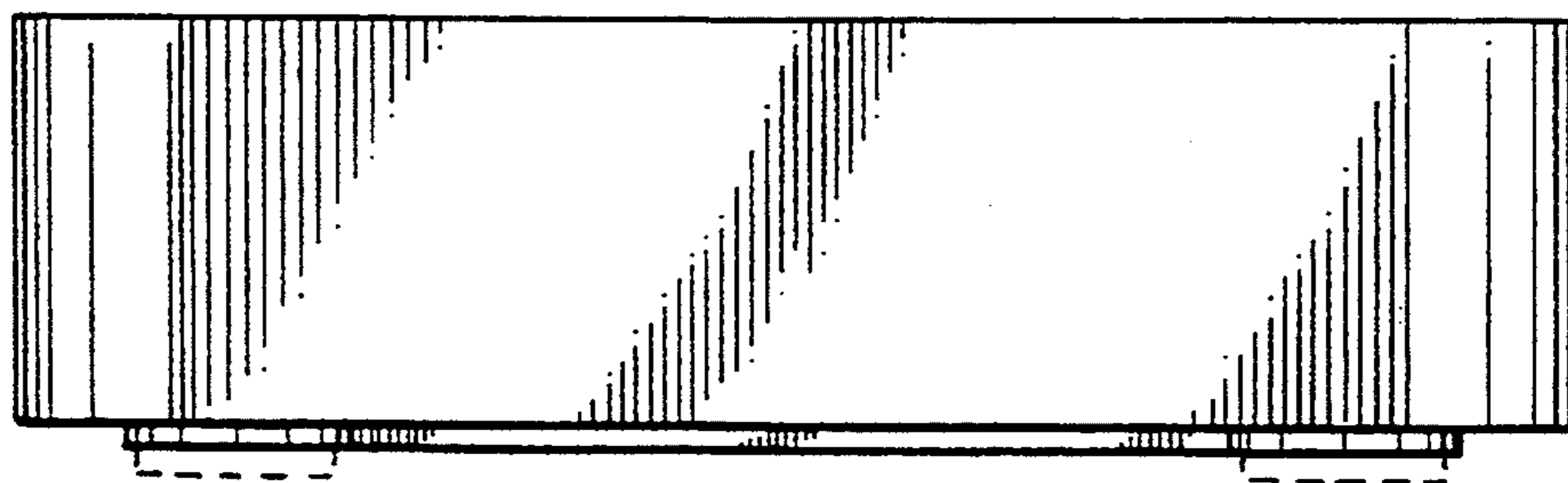


FIG. 3

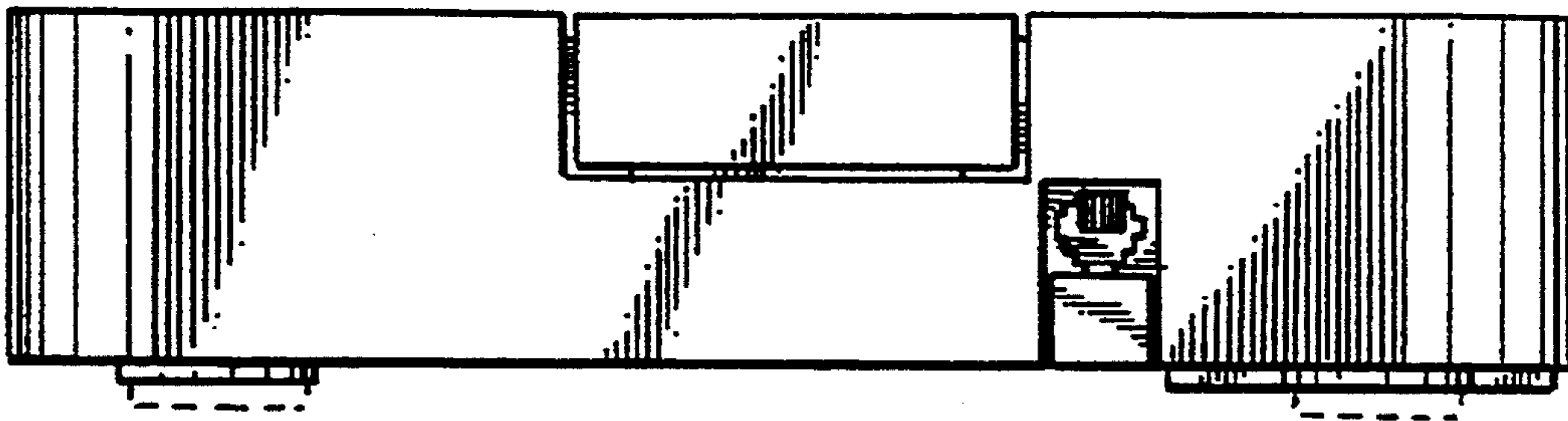


FIG. 4

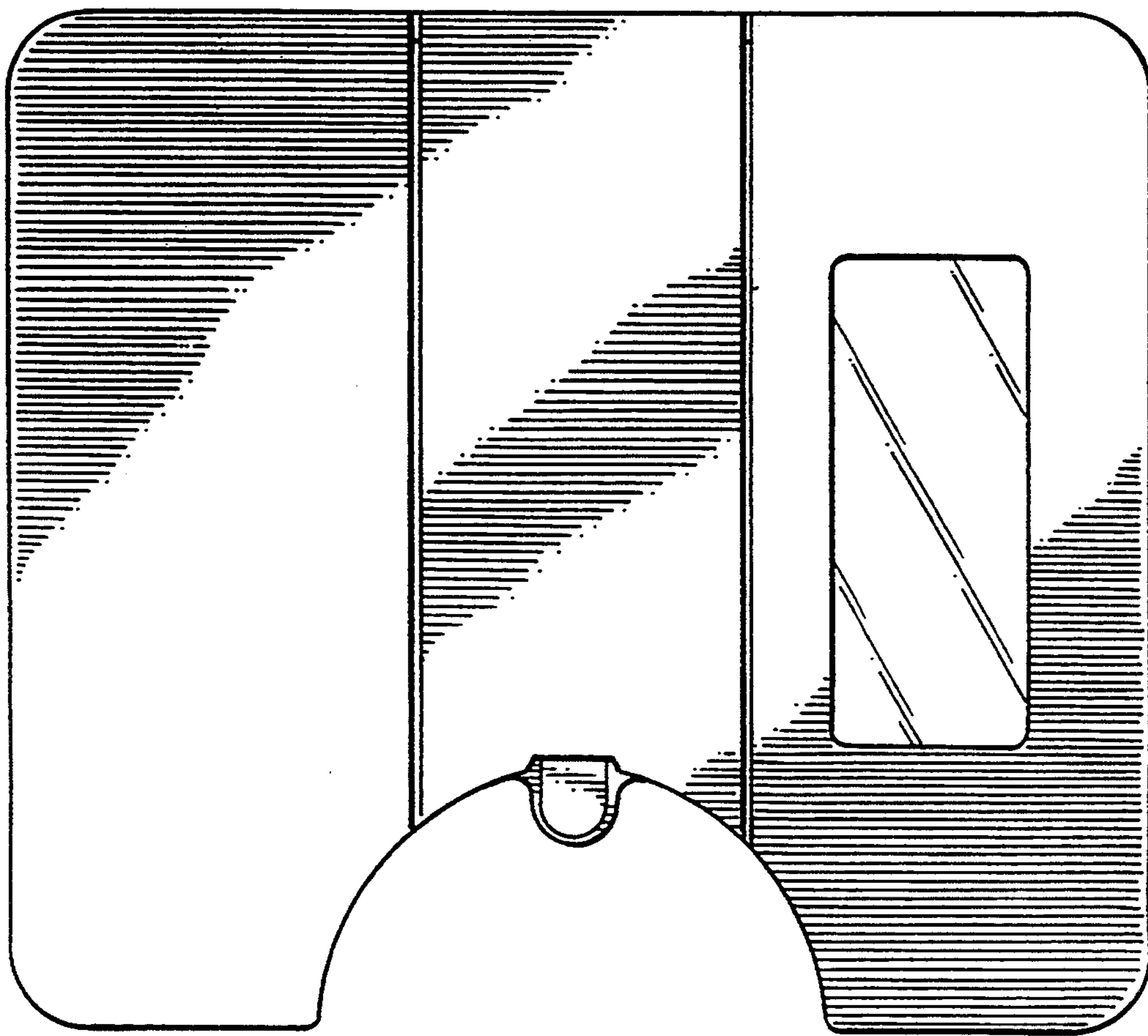


FIG. 5

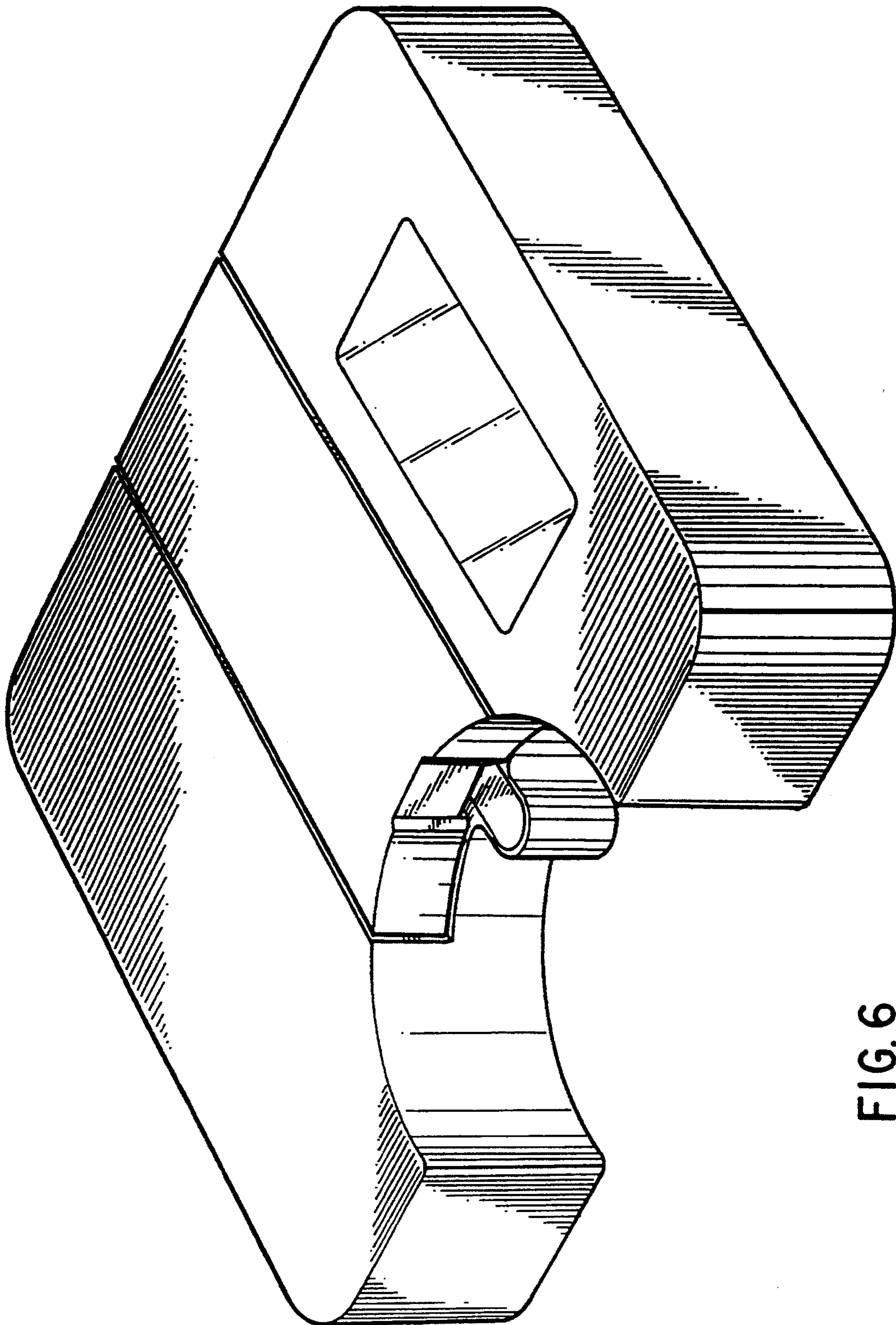


FIG. 6