



US00D355489S

# United States Patent [19]

[11] Patent Number: **Des. 355,489**

**Almond**

[45] Date of Patent: **\*\* Feb. 14, 1995**

[54] **EYE PATCH KIT FOR RIDDING WRINKLES**

5,116,675 5/1992 Nash-Morgan ..... 602/74

[76] Inventor: **Kay Almond**, 748 N. Brindlee Mountain Pkwy., Arab, Ala. 35016

### FOREIGN PATENT DOCUMENTS

580420 8/1958 France ..... D24/an

[\*\*] Term: **14 Years**

*Primary Examiner*—Stella Reid  
*Attorney, Agent, or Firm*—Timmons & Kelly

[21] Appl. No.: **948,737**

### [57] CLAIM

[22] Filed: **Sep. 14, 1992**

[52] U.S. Cl. .... **D24/189**

[58] Field of Search ..... D24/189; 602/41-43, 602/46, 74; 2/9, 15; D2/706, 856

The ornamental design for an eye patch kit for ridding wrinkles, as shown and described.

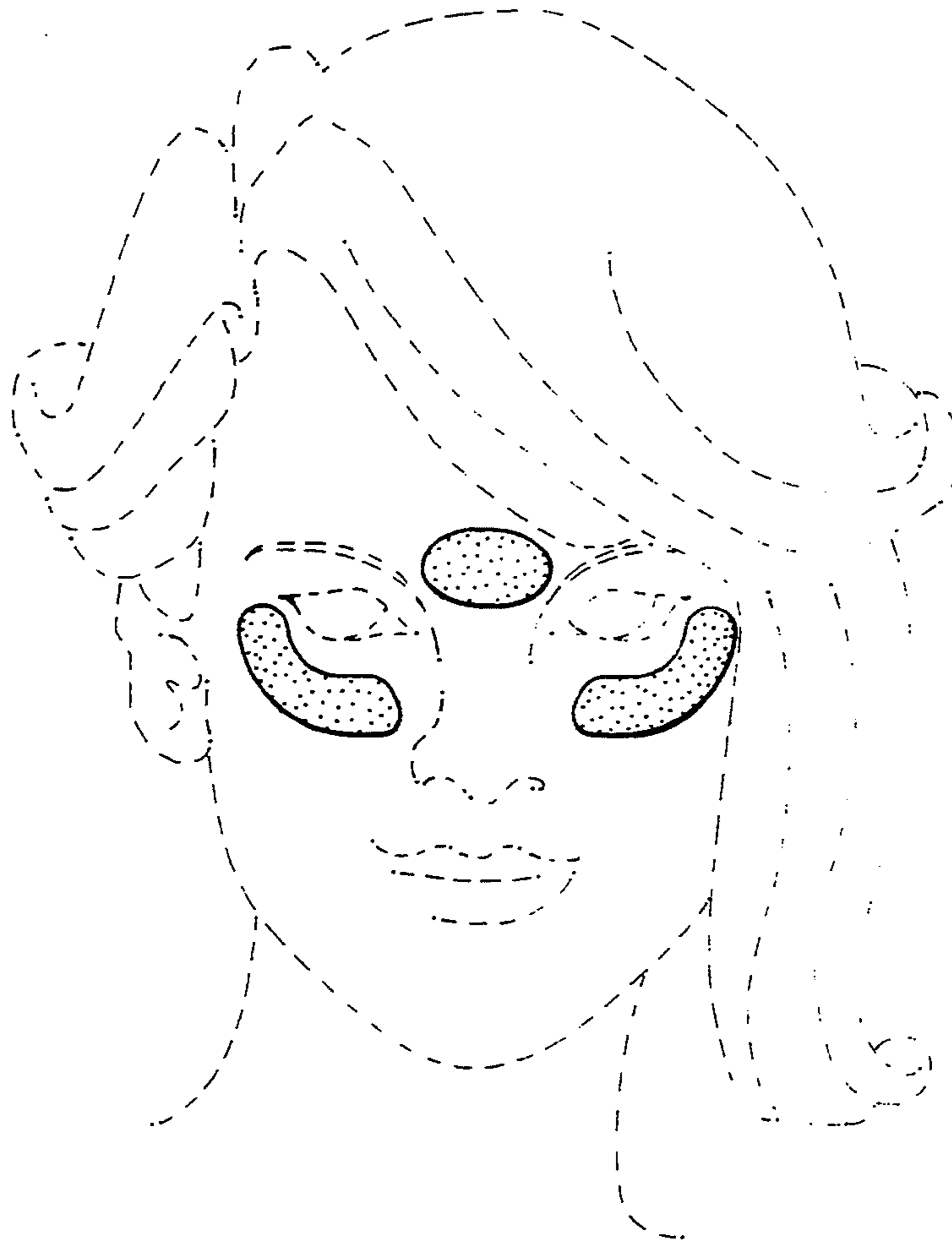
### DESCRIPTION

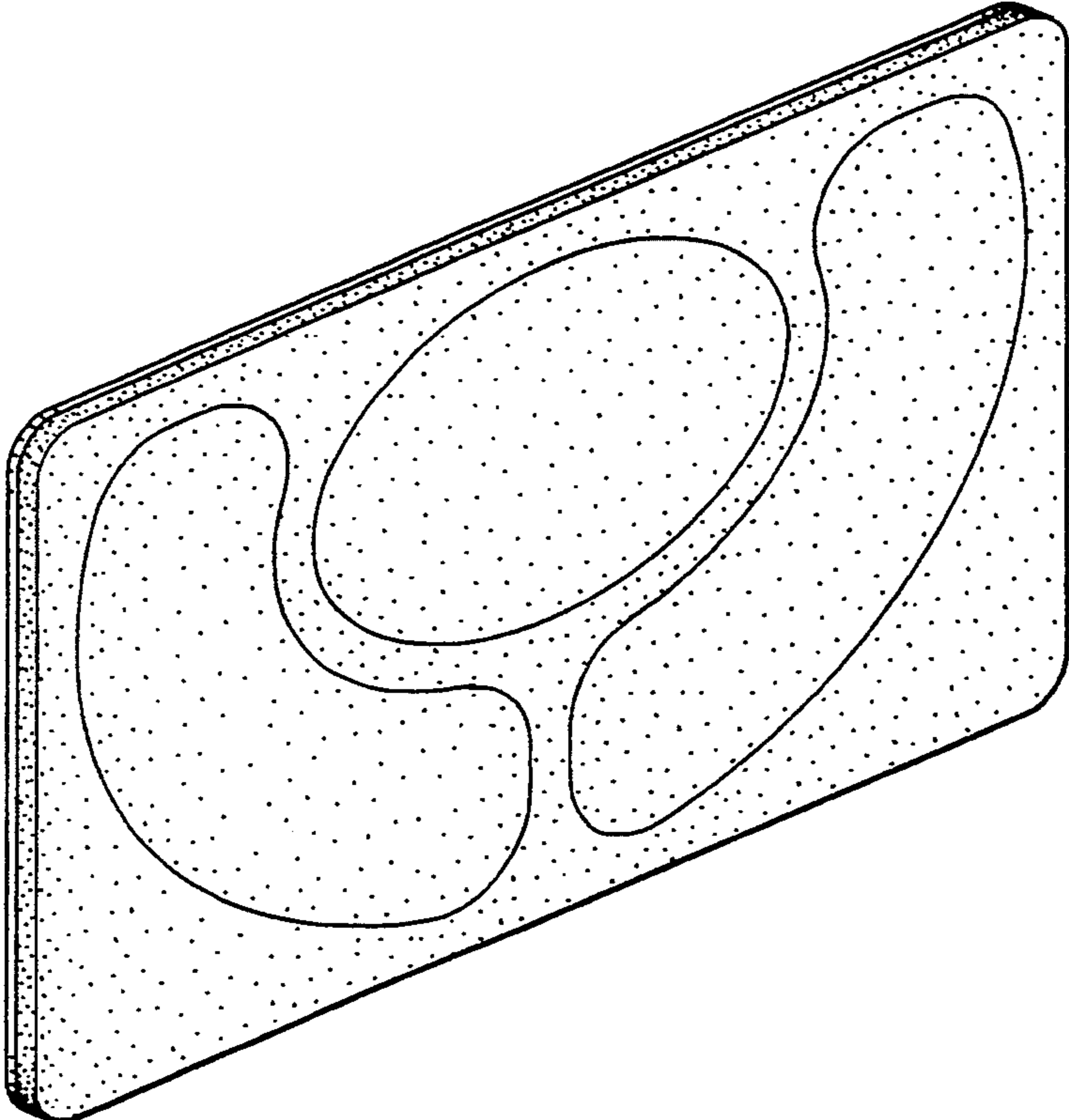
### [56] References Cited

#### U.S. PATENT DOCUMENTS

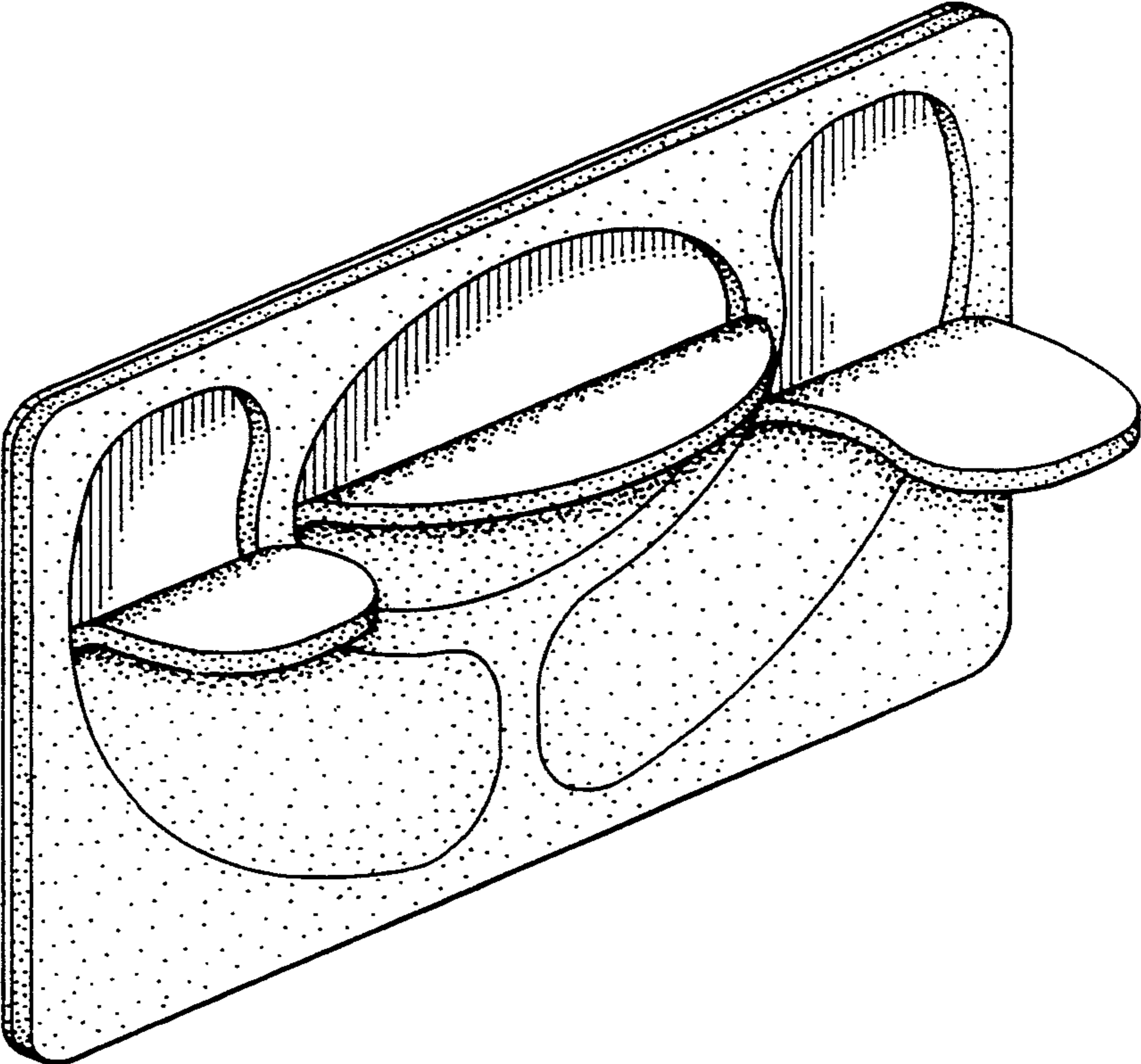
D. 255,386	6/1980	Gallagher	.....	D28/9
1,812,425	6/1931	Wosse	.	
2,001,862	5/1935	Bathey	.....	128/76
2,540,247	2/1951	Dillon	.....	128/76
2,914,769	12/1959	Anderson	.....	2/9
3,092,103	6/1963	Mower	.....	128/132
3,862,309	1/1975	Krochock	.....	424/63
3,949,741	4/1976	Hofmann	.....	128/768
4,117,837	10/1978	Massó Remiro	.....	128/76 B
4,793,003	12/1988	Riedel et al.	.....	2/15
4,872,217	10/1989	Kitayama	.....	2/15

FIG. 1 is a perspective view of an eye patch kit for ridding wrinkles showing my new design;  
 FIG. 2 is a perspective view thereof, showing the eye patches in partially removed condition;  
 FIG. 3 is a front elevation thereof;  
 FIG. 4 is a rear elevation thereof;  
 FIG. 5 is a side elevation thereof, the opposite side being identical thereto;  
 FIG. 6 is a top plan view thereof, the opposite side being identical thereto; and,  
 FIG. 7 is a perspective view thereof, the broken line showing of the person being for illustrative purposes only and forming no part of the claimed design.

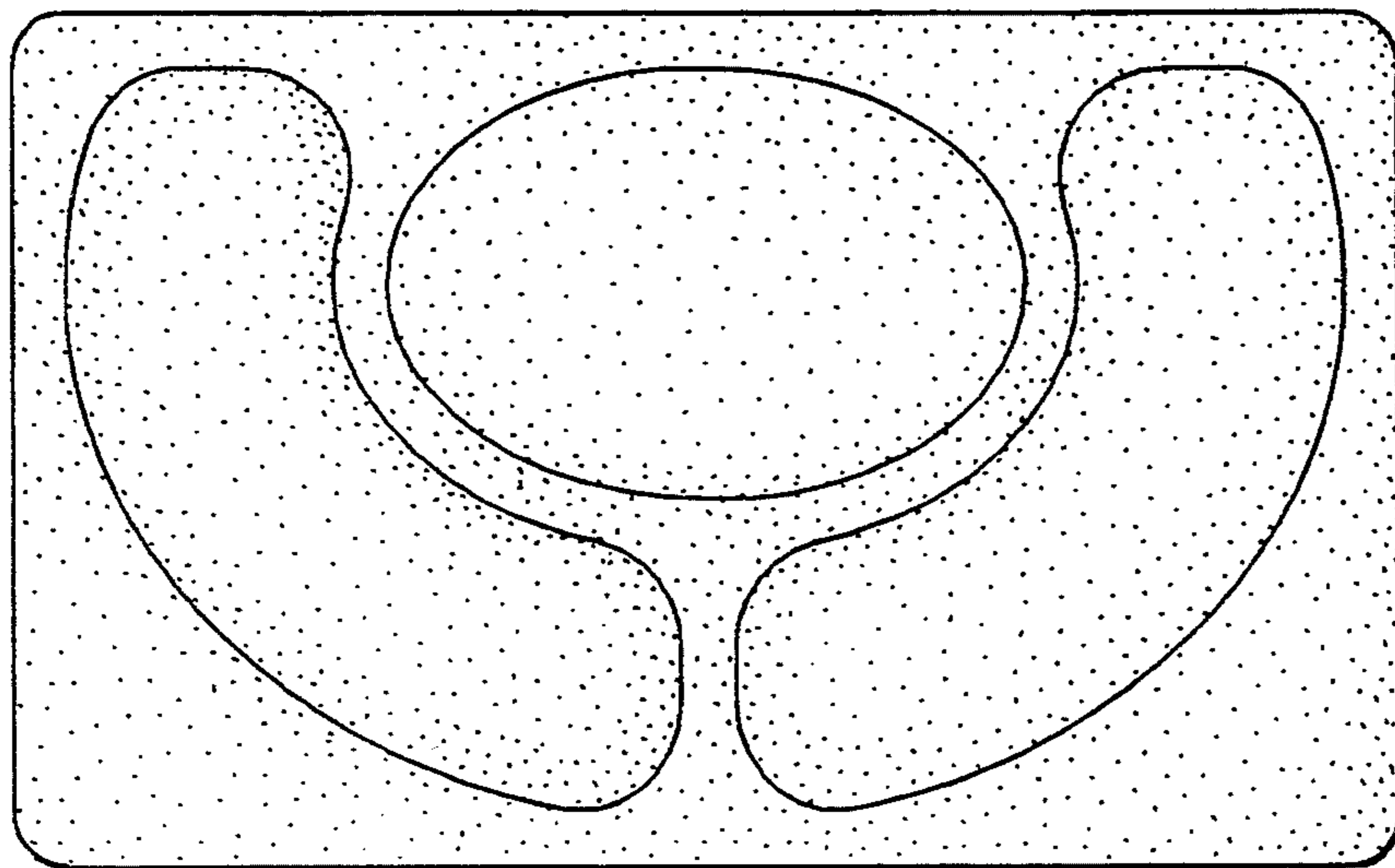




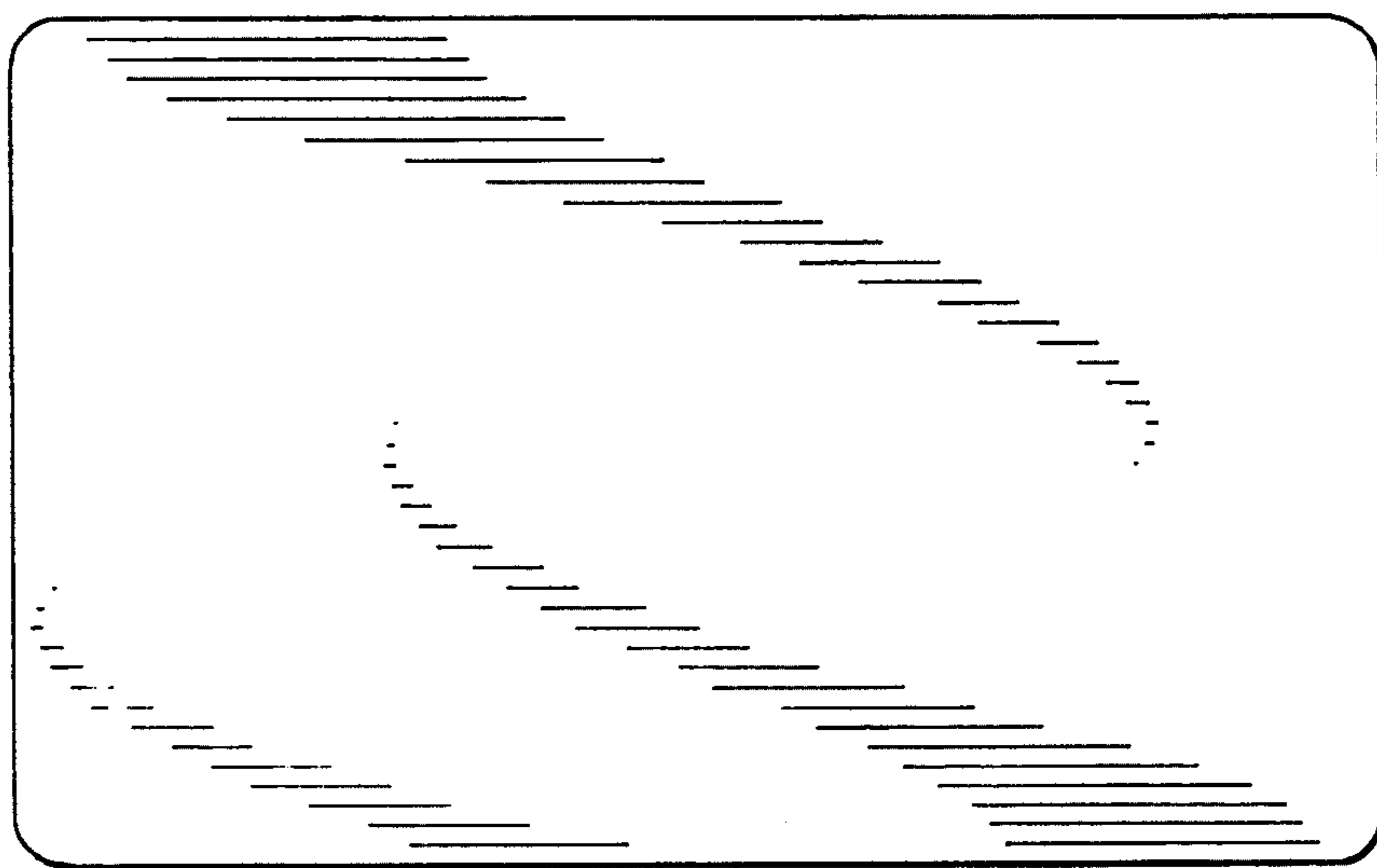
*Fig. 1*



*Fig. 2*



*Fig. 3*



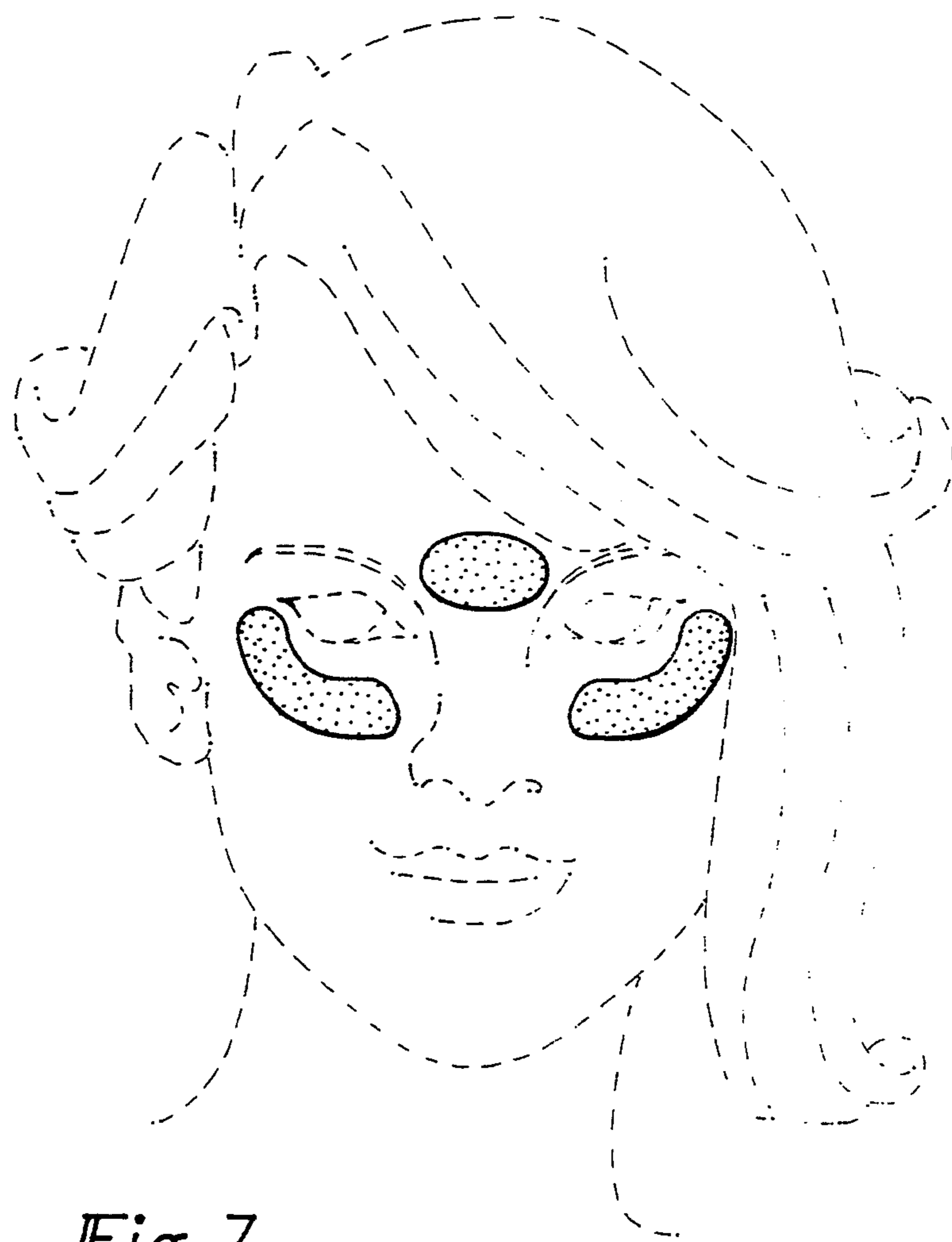
*Fig. 4*



*Fig. 5*



*Fig. 6*



*Fig. 7*