



US00D355486S

United States Patent [19]

[11] Patent Number: **Des. 355,486**

Ikeda

[45] Date of Patent: **** Feb. 14, 1995**

[54] **A RADIO FREQUENCY HAIR REMOVER**

[75] Inventor: **Tsunehiko Ikeda, Kanagawa, Japan**

[73] Assignee: **Better Life, Inc., Yokohama, Japan**

[**] Term: **14 Years**

[21] Appl. No.: **10,533**

[22] Filed: **Jul. 9, 1993**

[30] **Foreign Application Priority Data**

May 14, 1993 [JP] Japan 5-13826

[52] U.S. Cl. **D24/144; D24/133; D28/78**

[58] Field of Search **D24/133, 144, 147, 187, D24/170; D28/78; 606/133, 186, 116, 32, 36, 43, 44; D3/203**

[56] **References Cited**

U.S. PATENT DOCUMENTS

D. 257,790 1/1981 Kesling D3/203 X

D. 263,879 4/1982 Mann D24/144

D. 280,450 9/1985 Scheler D28/78
D. 330,766 11/1992 Mann D24/144
4,174,713 11/1979 Mehl D24/144 X

Primary Examiner—A. Hugo Word
Assistant Examiner—I. Simmons
Attorney, Agent, or Firm—Nikaido, Marmelstein,
Murray & Oram

[57] **CLAIM**

The ornamental design for a radio frequency hair remover, as shown and described.

DESCRIPTION

FIG. 1 is a perspective view of the radio frequency hair remover showing the design;
FIG. 2 is a front elevational view thereof;
FIG. 3 is a top plan view thereof;
FIG. 4 is a bottom plan view thereof;
FIG. 5 is a right side elevational view thereof;
FIG. 6 is a rear elevational view thereof; and,
FIG. 7 is a perspective view showing a condition in which its top opened.

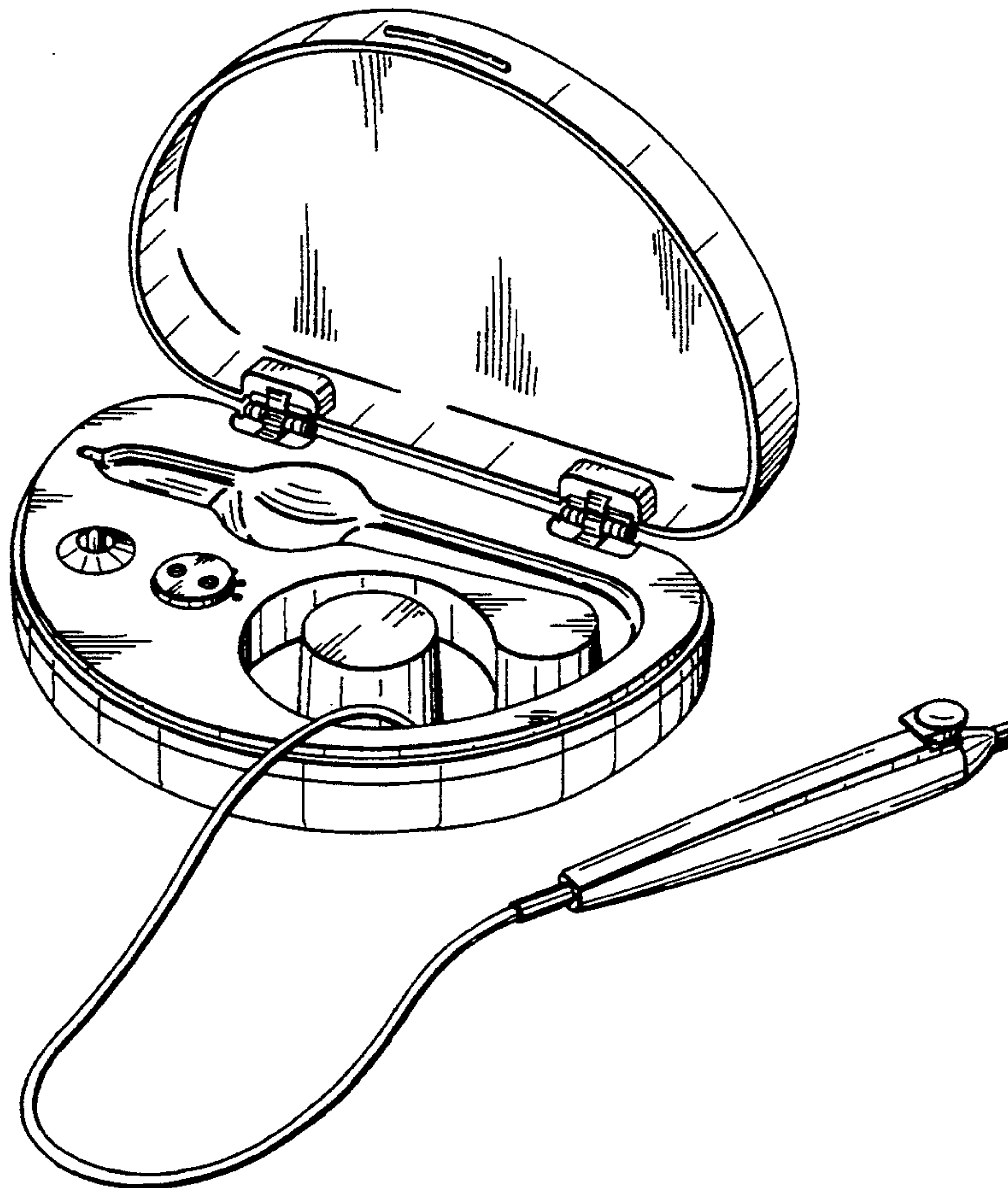


FIG. 1

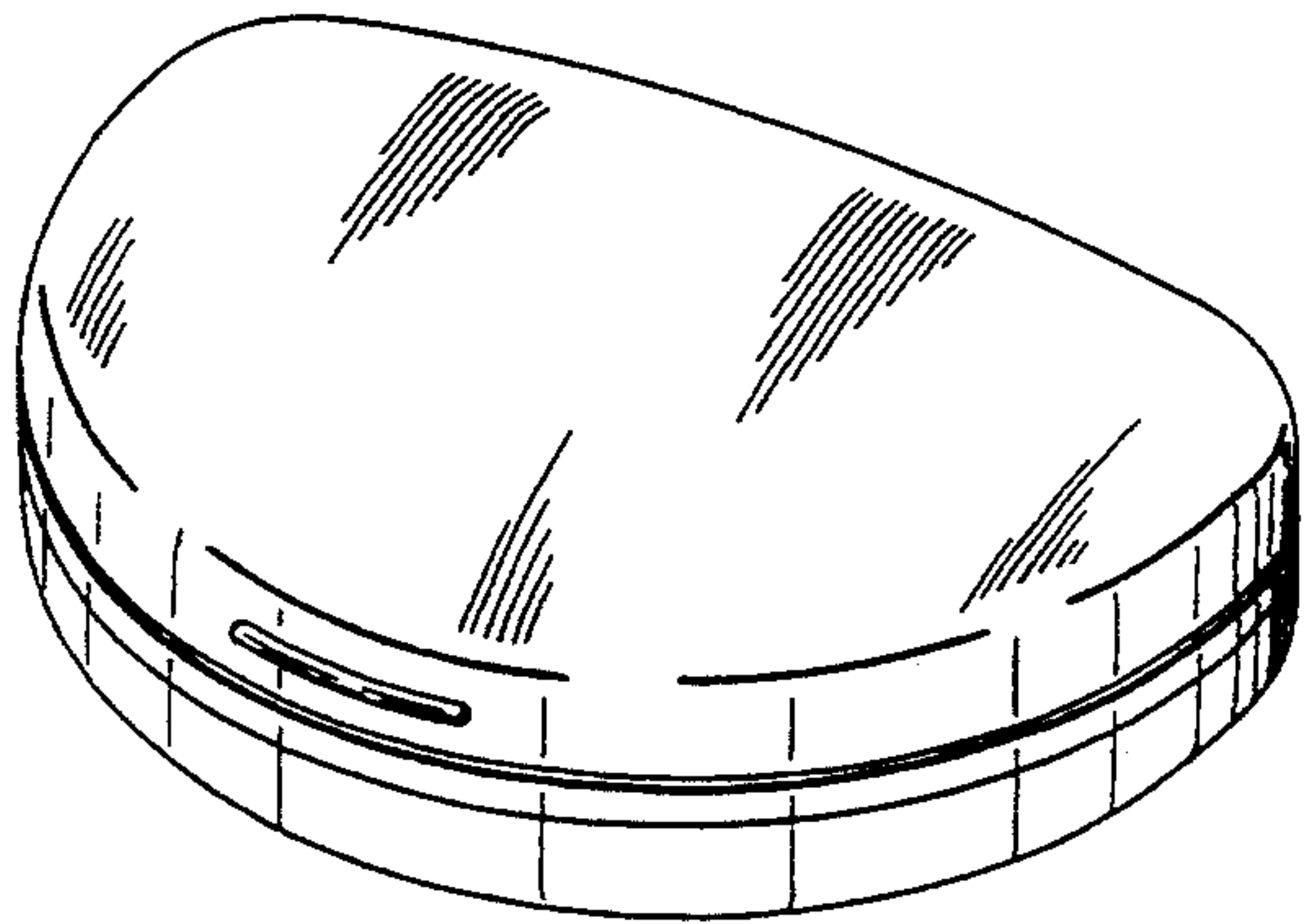


FIG. 4

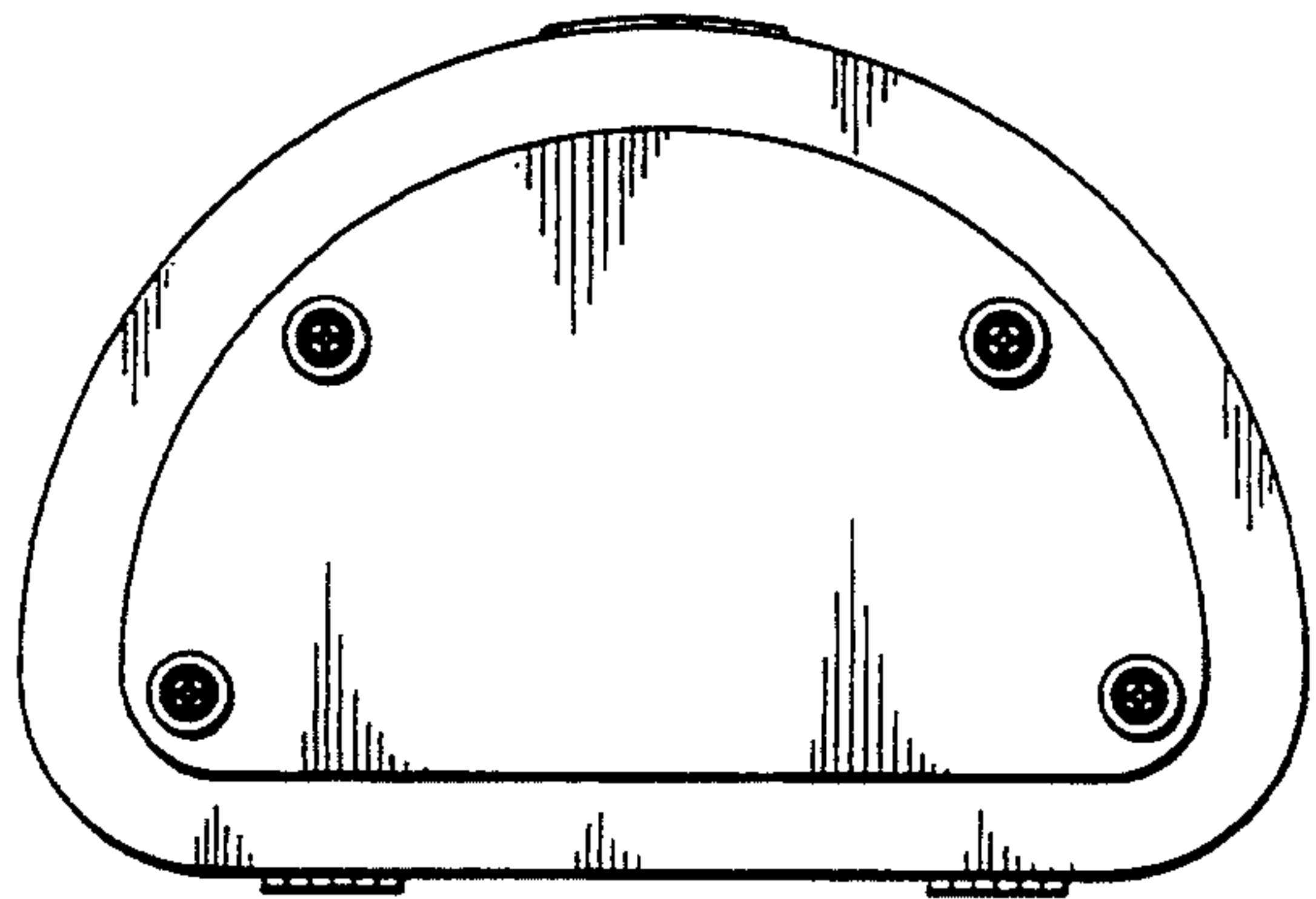


FIG. 2

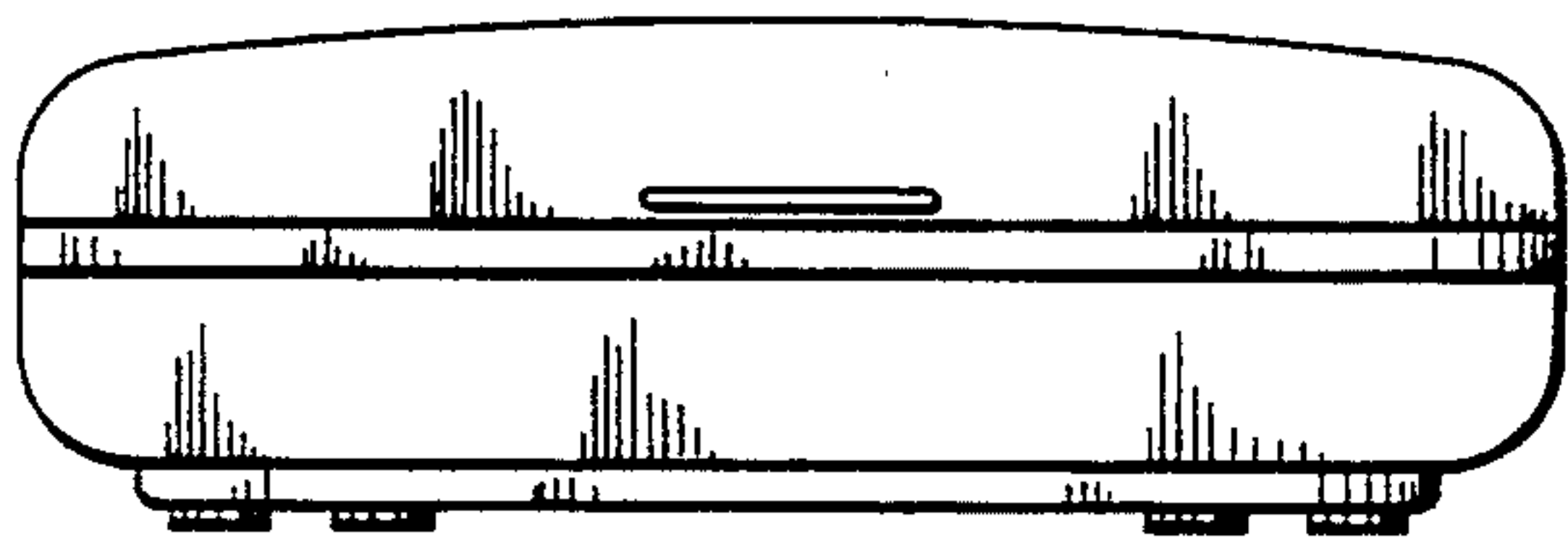


FIG. 5

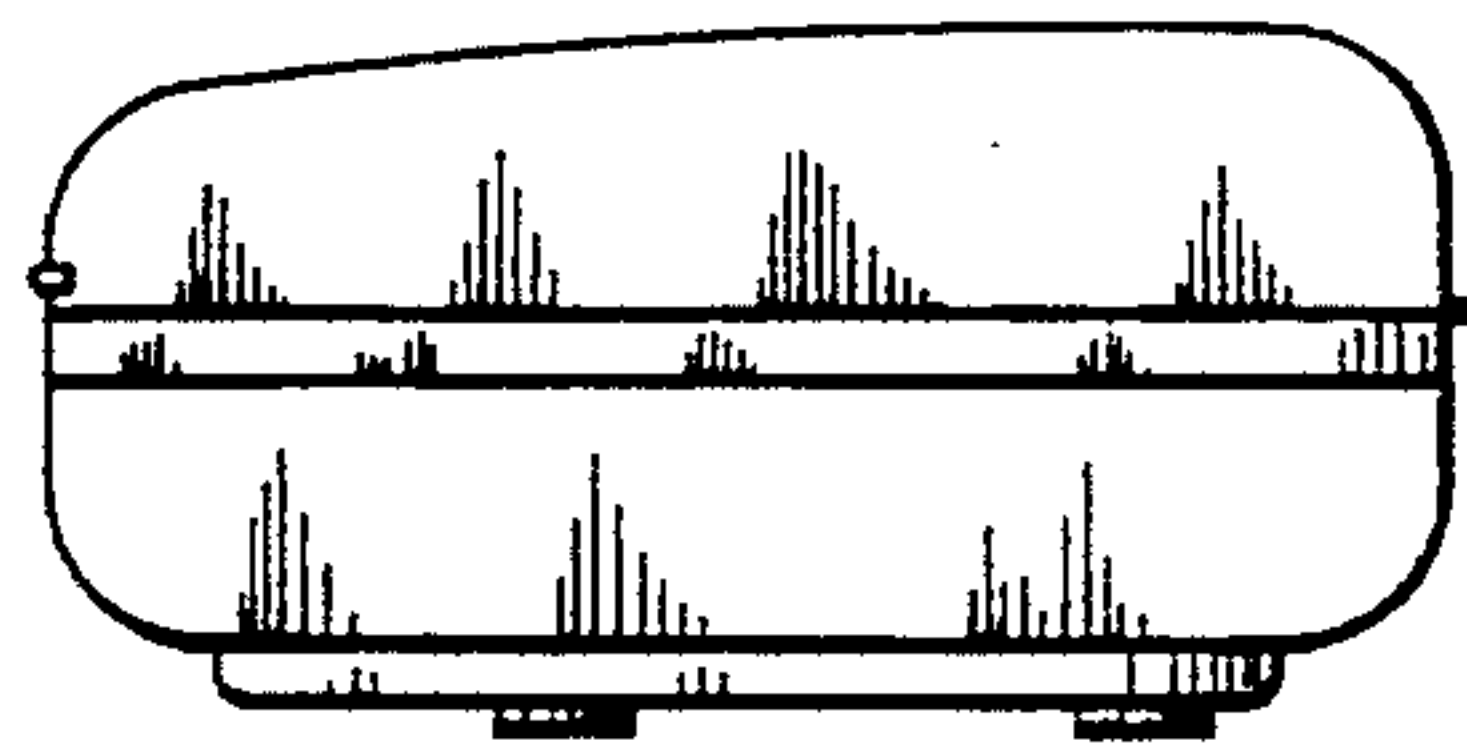


FIG. 3

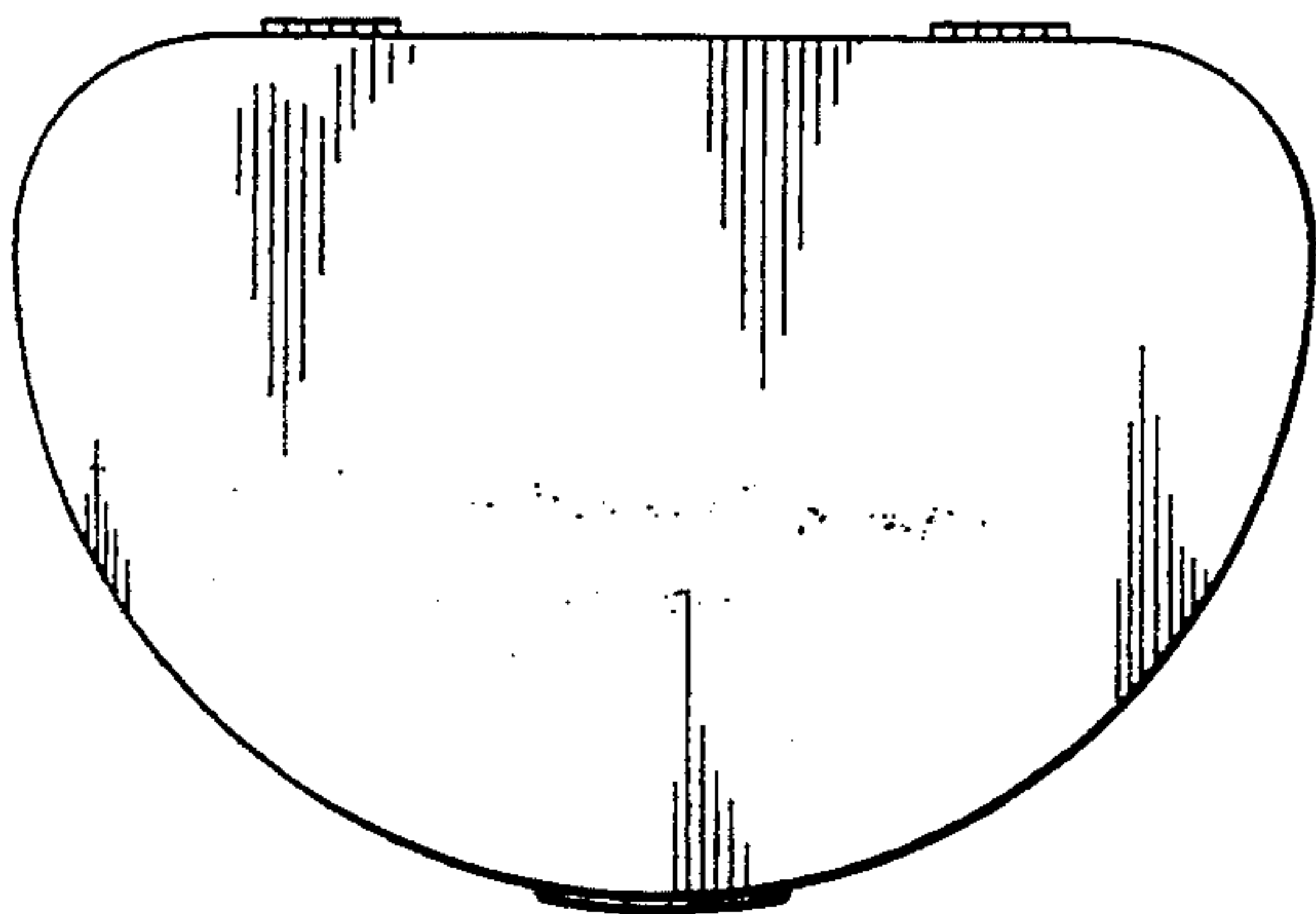


FIG. 6

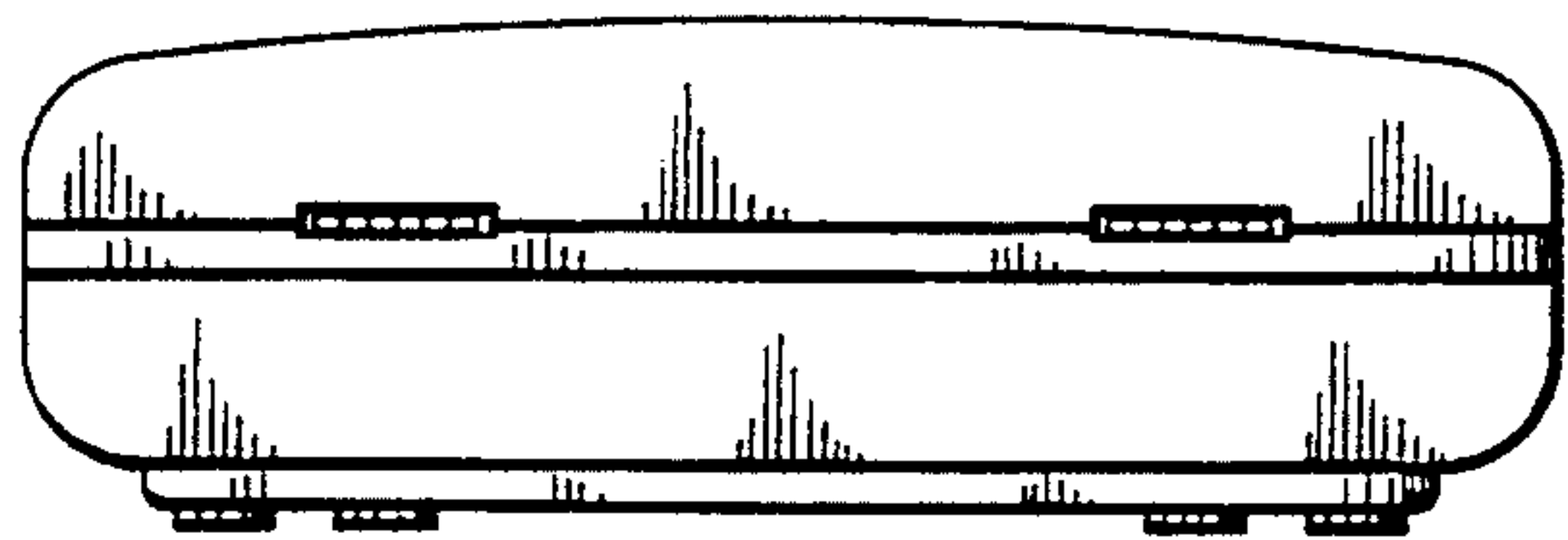


FIG. 7

