



US00D355479S

United States Patent [19]

Petre

[11] Patent Number: **Des. 355,479**

[45] Date of Patent: **** Feb. 14, 1995**

[54] **COMBINED HOUSING AND HANDLE FOR A LIFTING SYSTEM**

[75] Inventor: **Stellan Petre, Onsala, Sweden**

[73] Assignee: **LP3 Maskiner AB, Molndal, Sweden**

[**] Term: **14 Years**

[21] Appl. No.: **801,071**

[22] Filed: **Dec. 2, 1991**

[30] **Foreign Application Priority Data**

Jun. 3, 1991 [SE] Sweden 911146

[52] U.S. Cl. **D34/35**

[58] Field of Search D34/288, 35;
294/64.1-64.3; 414/737, 752, 626, 627, 913;
901/40

[56] **References Cited**

U.S. PATENT DOCUMENTS

D. 195,266 5/1963 Scott D34/35

D. 212,447 10/1968 Kaser et al. D34/35 X

4,412,775	11/1983	Molitor et al.	414/627 X
4,413,853	11/1983	Anderson	414/627 X
4,557,659	12/1985	Scaglia	414/627
4,763,941	8/1988	Sniderman	414/627 X
5,039,274	8/1991	Bennison	901/40 X

Primary Examiner—James R. Largen
Attorney, Agent, or Firm—Merchant, Gould, Smith,
Edell, Welter & Schmidt

[57] **CLAIM**

The ornamental design for my combined housing and handle for a lifting system, as shown and described.

DESCRIPTION

FIG. 1 is a top plan view of a combined housing and handle for a lifting system showing my new design; FIG. 2 is a bottom plan view; FIG. 3 is a front elevational view thereof; FIG. 4 is a right side elevational view thereof; FIG. 5 is a left side elevational view thereof; and, FIG. 6 is a prospective view taken from the top rear and right sides thereof.

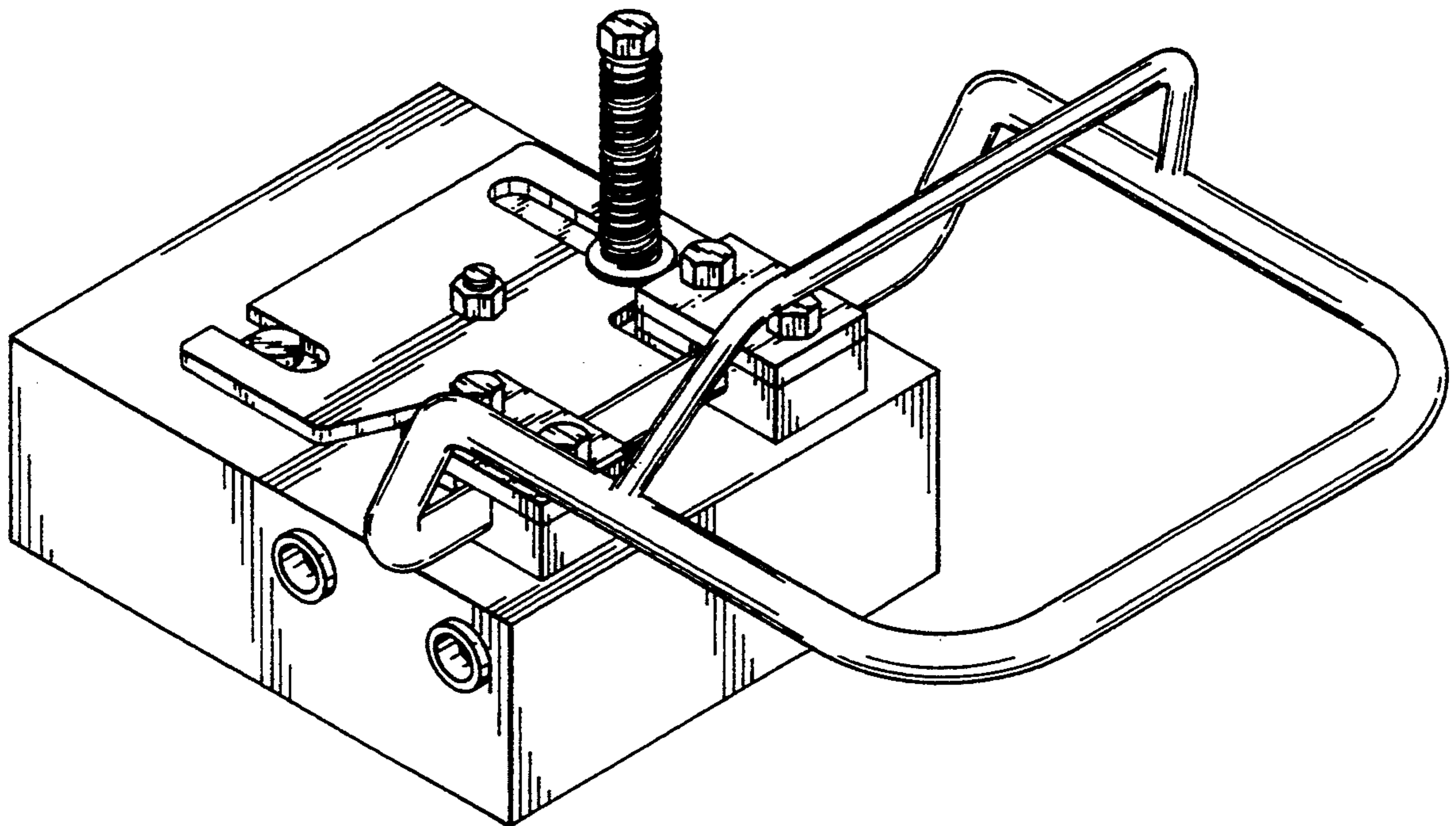


FIG. 1

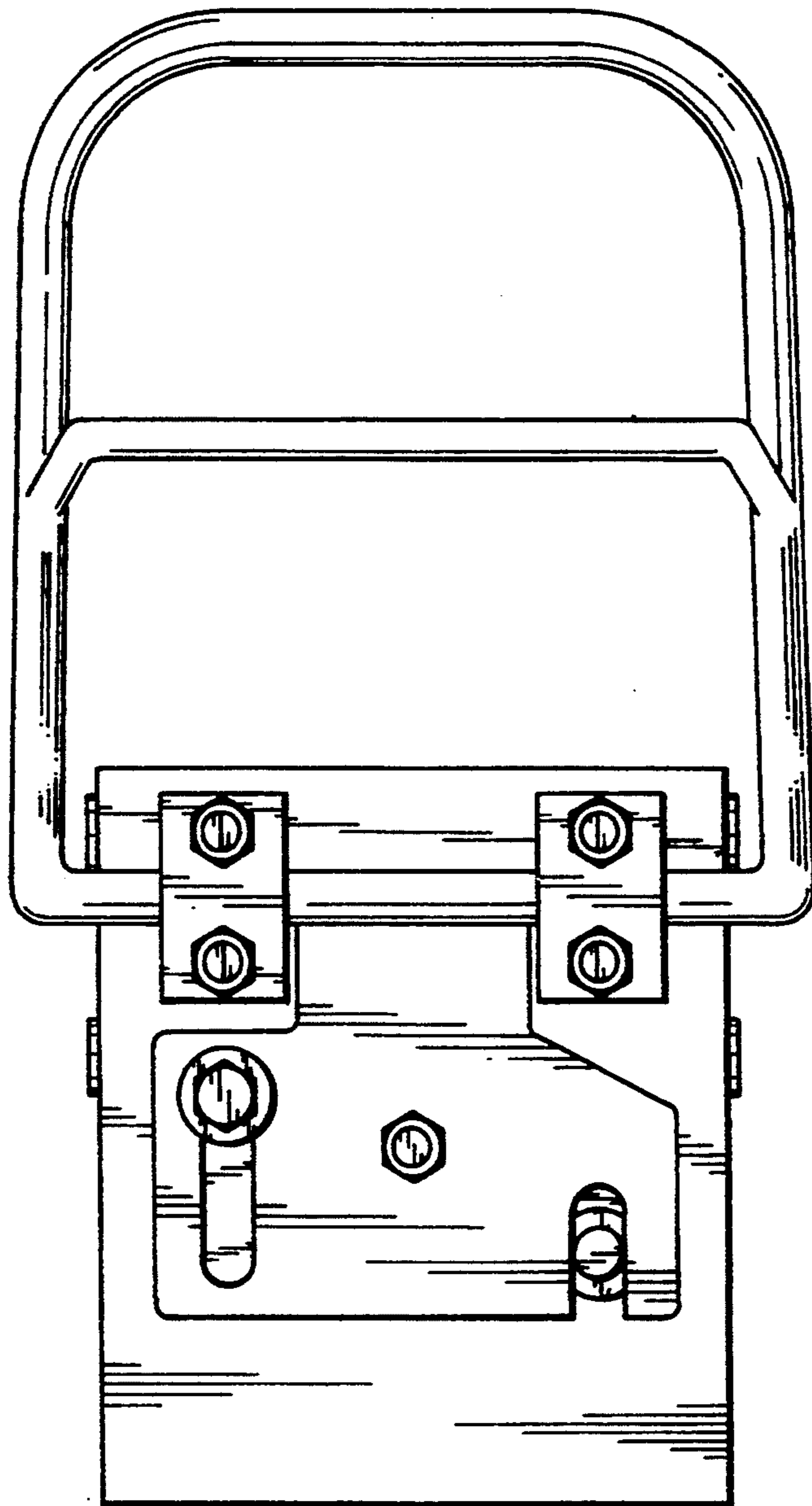


FIG. 2

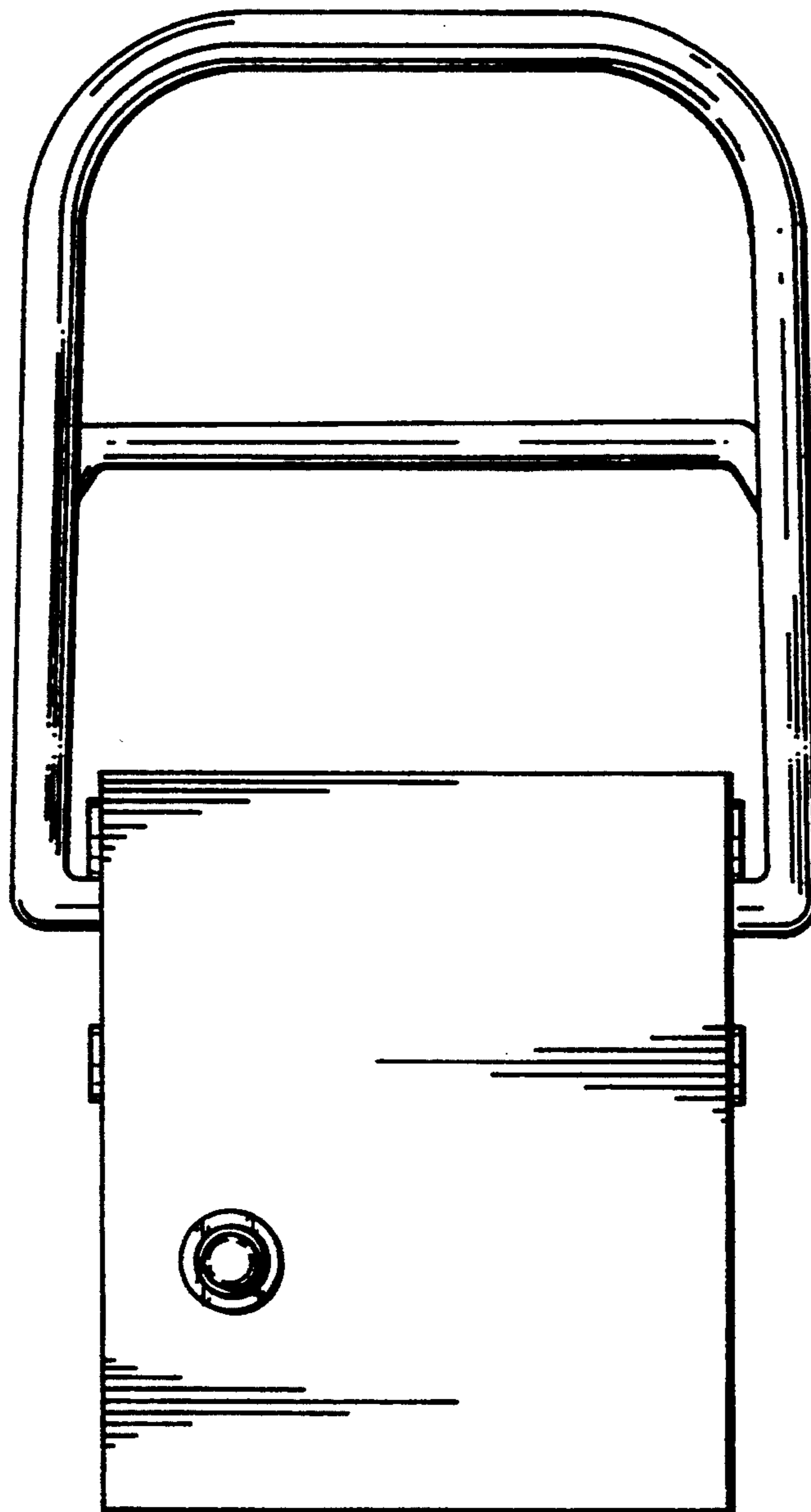


FIG. 3

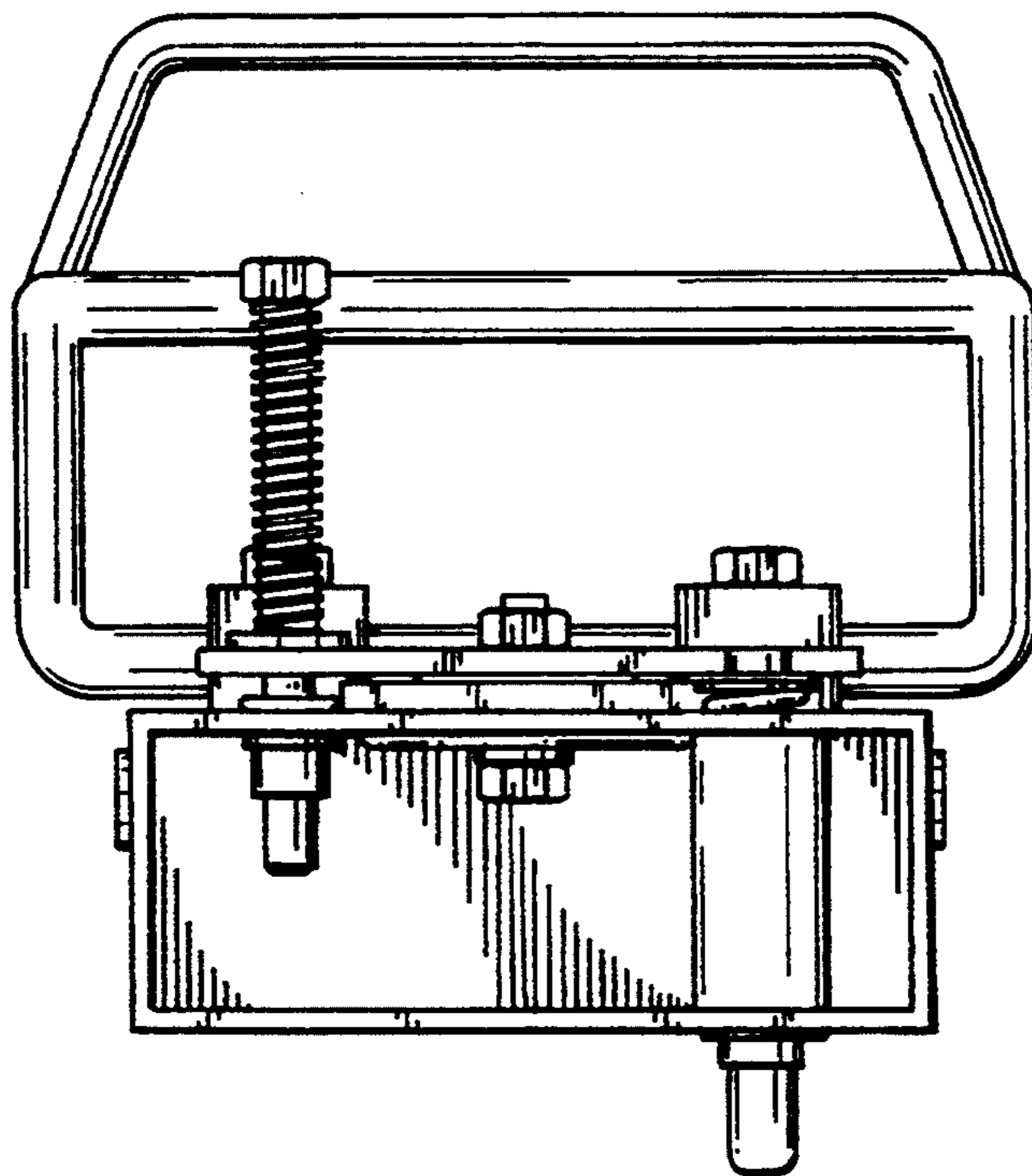


FIG. 4

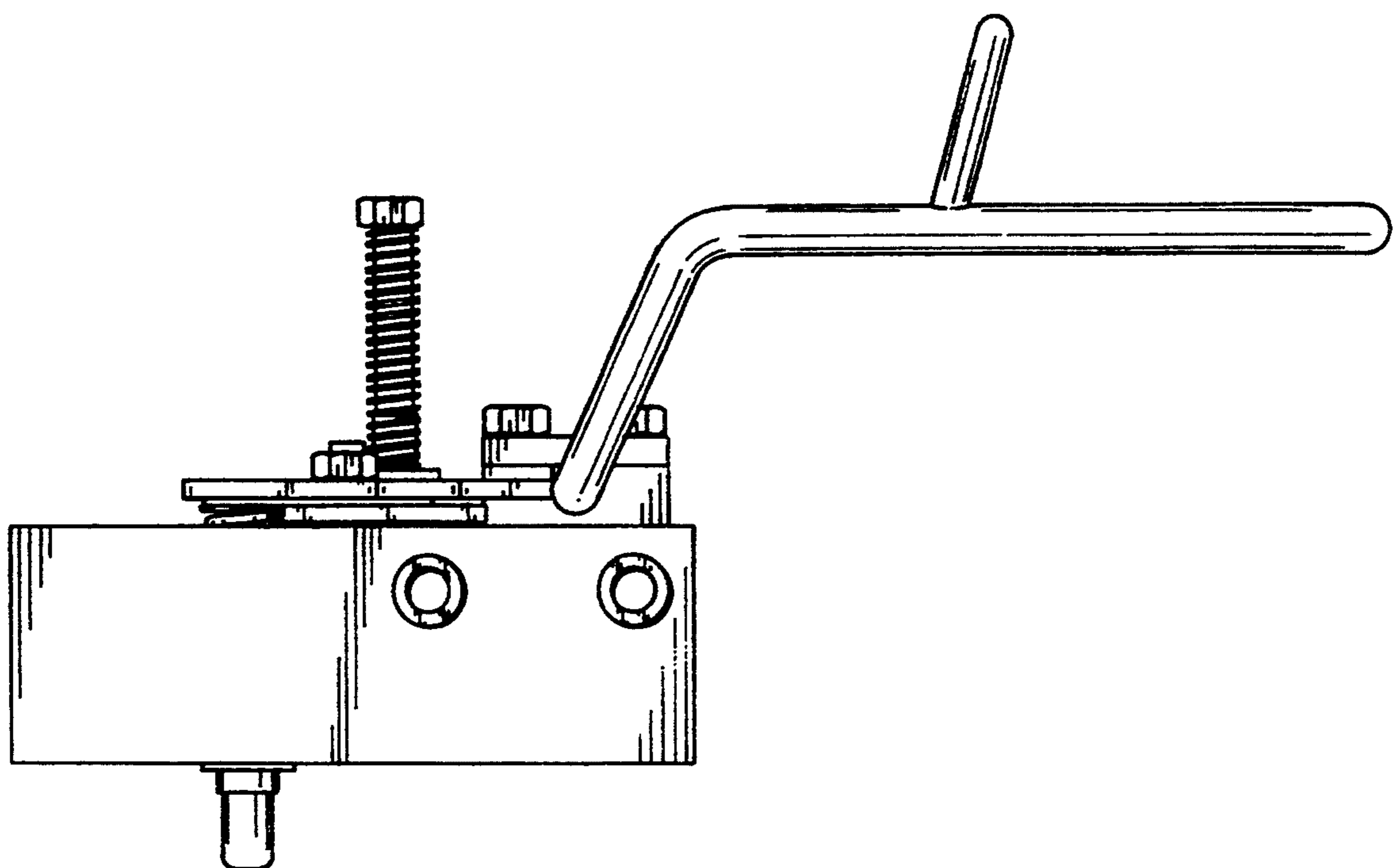
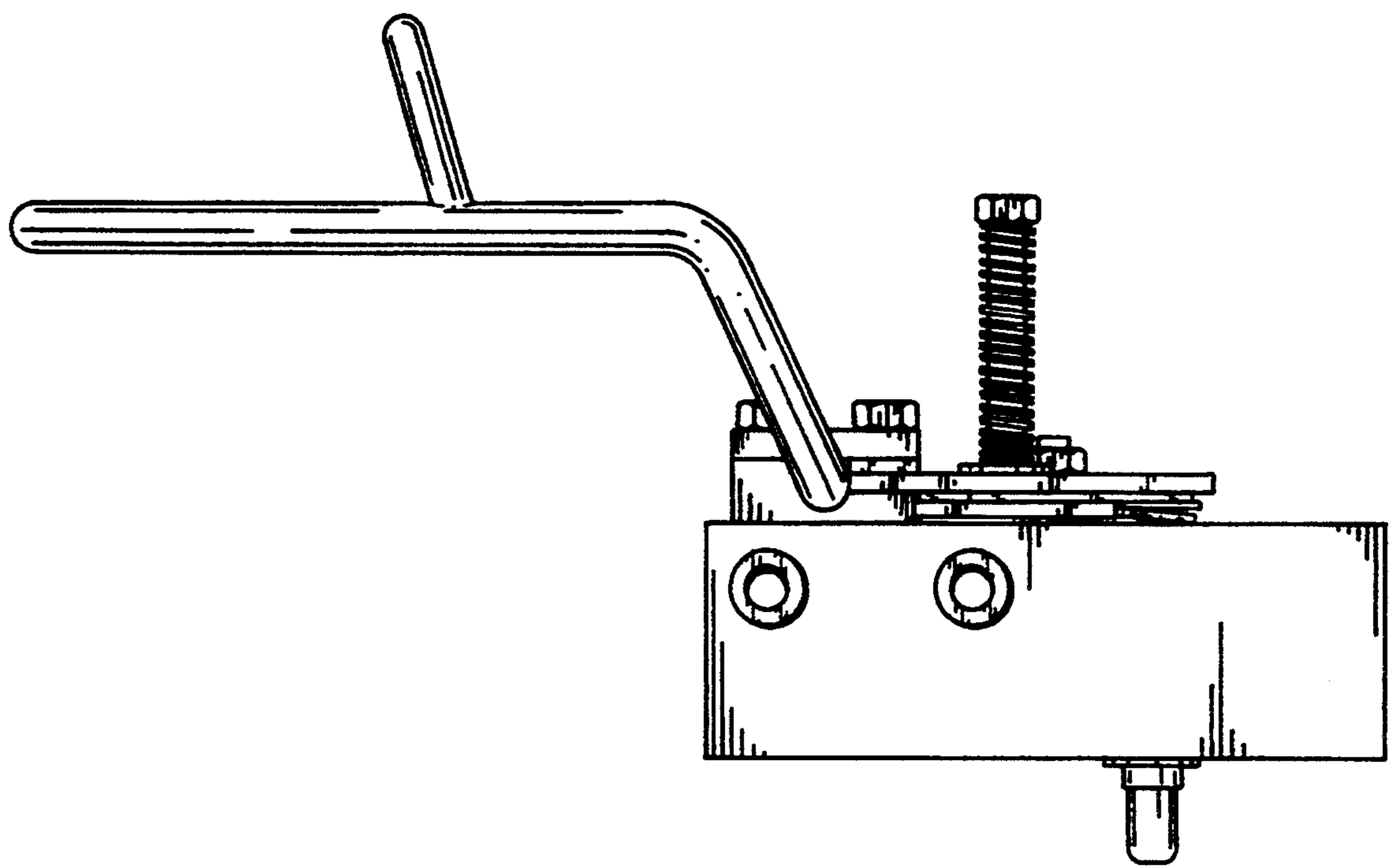


FIG. 5



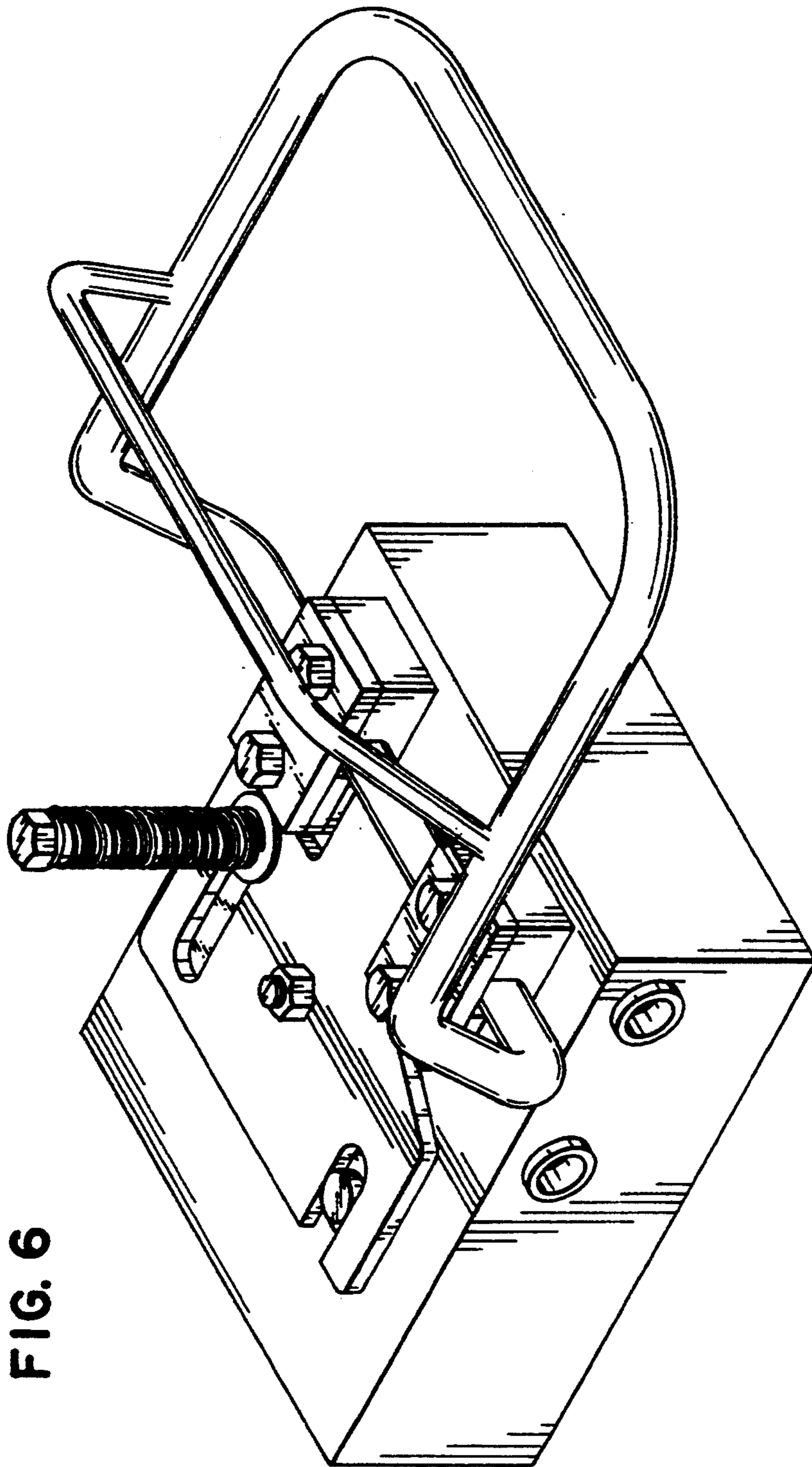


FIG. 6