



US00D355478S

United States Patent [19]

[11] Patent Number: **Des. 355,478**

Allen et al.

[45] Date of Patent: **** Feb. 14, 1995**

[54] **FLUSH VALVE COVER**

[75] Inventors: **Charles S. Allen, Kenilworth; John R. Wilson, Naperville, both of Ill.**

[73] Assignee: **Sloan Valve Company, Franklin Park, Ill.**

[**] Term: **14 Years**

[21] Appl. No.: **14,625**

[22] Filed: **Oct. 28, 1993**

[52] U.S. Cl. **D23/249**

[58] Field of Search **D23/249, 260; D7/308, D7/398; 251/61.1, 45, 129.4; 137/377, 382, 381, 382.5; 4/DIG. 3**

[56] **References Cited**

U.S. PATENT DOCUMENTS

1,911,748	5/1933	Carlstedt	137/381 X
2,075,249	3/1937	Wilson	137/377 X
5,169,118	12/1992	Whiteside	251/129.04 X
5,195,720	3/1993	Nortier et al.	D23/233 X

Primary Examiner—A. Hugo Word

Assistant Examiner—Eric Watterson
Attorney, Agent, or Firm—Dorn, McEachran, Jambor & Keating

[57] **CLAIM**

The ornamental design for a flush valve cover, as shown and described.

DESCRIPTION

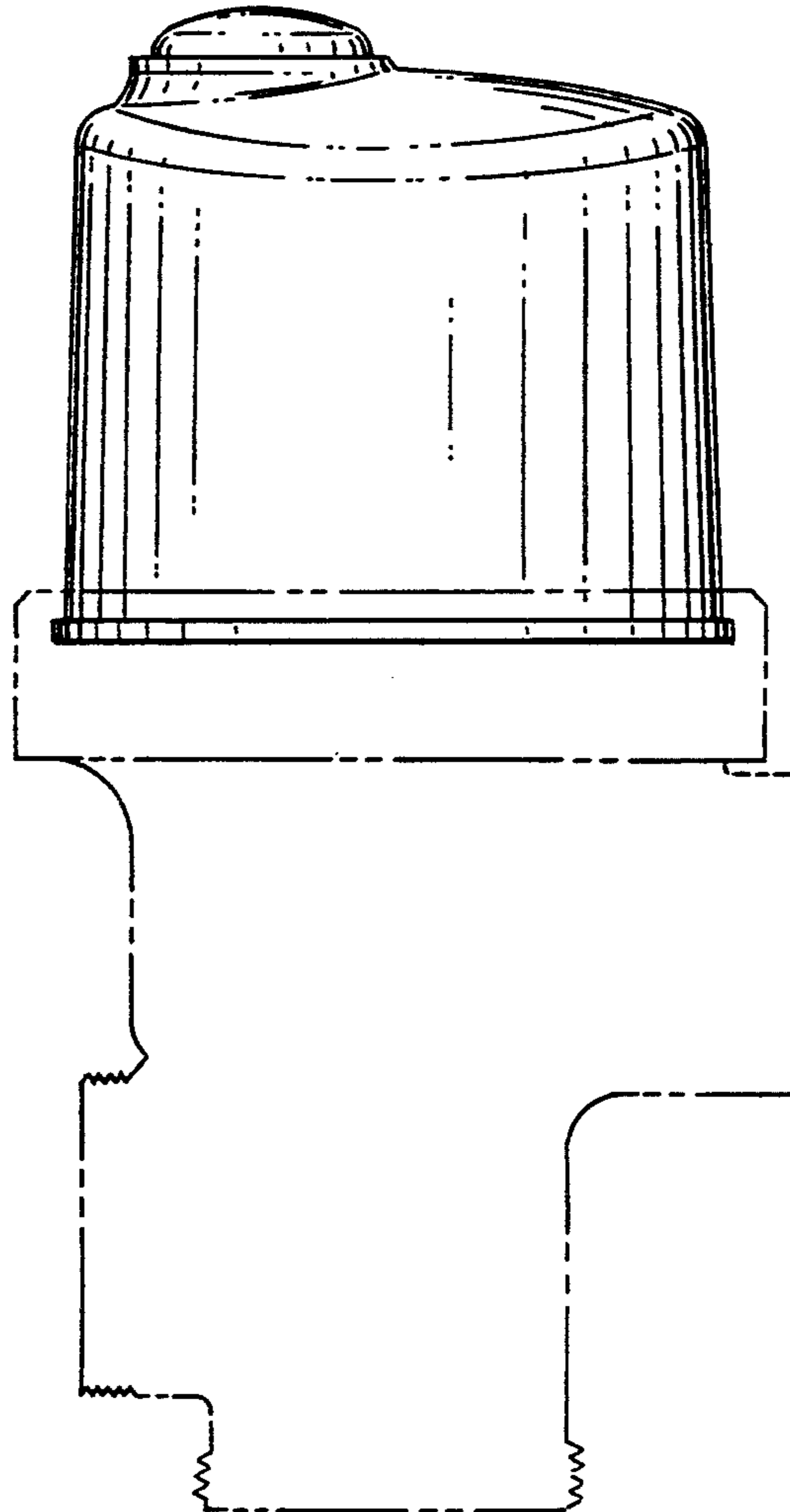
FIG. 1 is a front view of a flush valve cover showing our new design, the broken line showing of the flush valve body is for illustrative purposes only and forms no part of the claimed design;

FIG. 2 is side view of our new flush valve cover design; FIG. 3 is a rear view of our new flush valve cover design;

FIG. 4 is a top view of our new flush valve cover design;

FIG. 5 is a bottom view of our new flush valve cover design; and,

FIG. 6 is a front view of a second embodiment of our new flush valve cover design, the side, top, and bottom views thereof being identical with the corresponding views in the first embodiment.



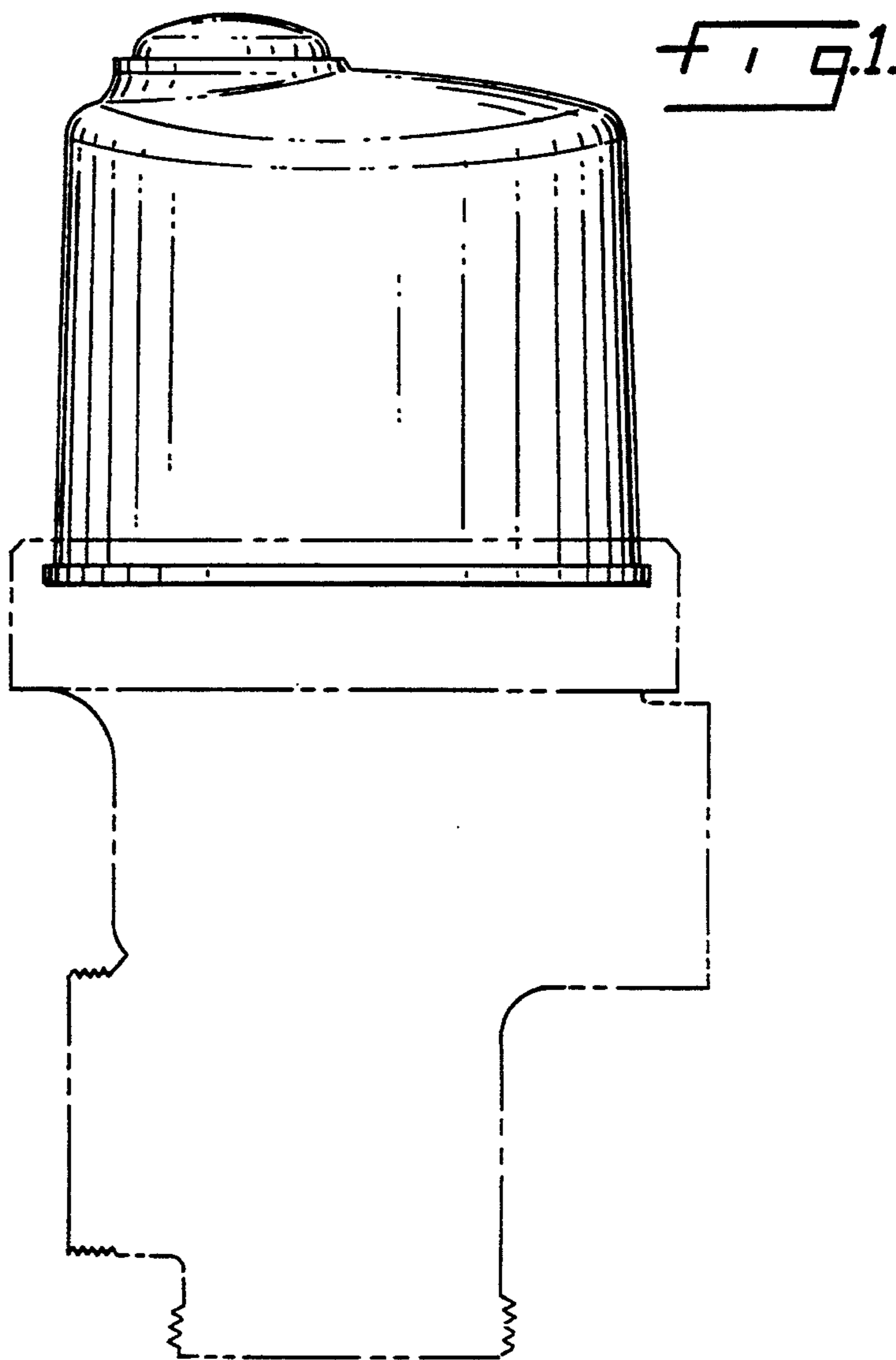


FIG. 2.

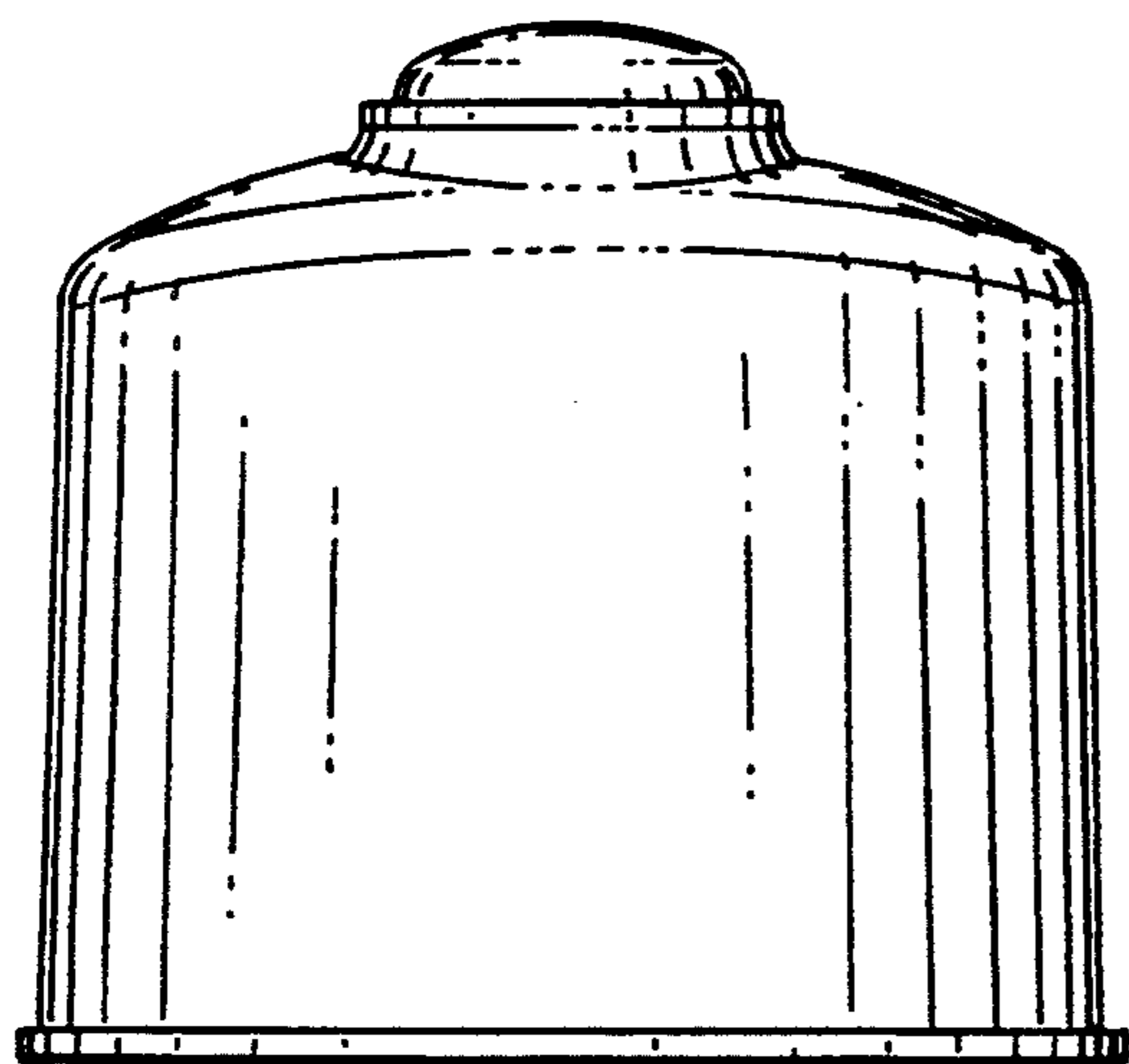
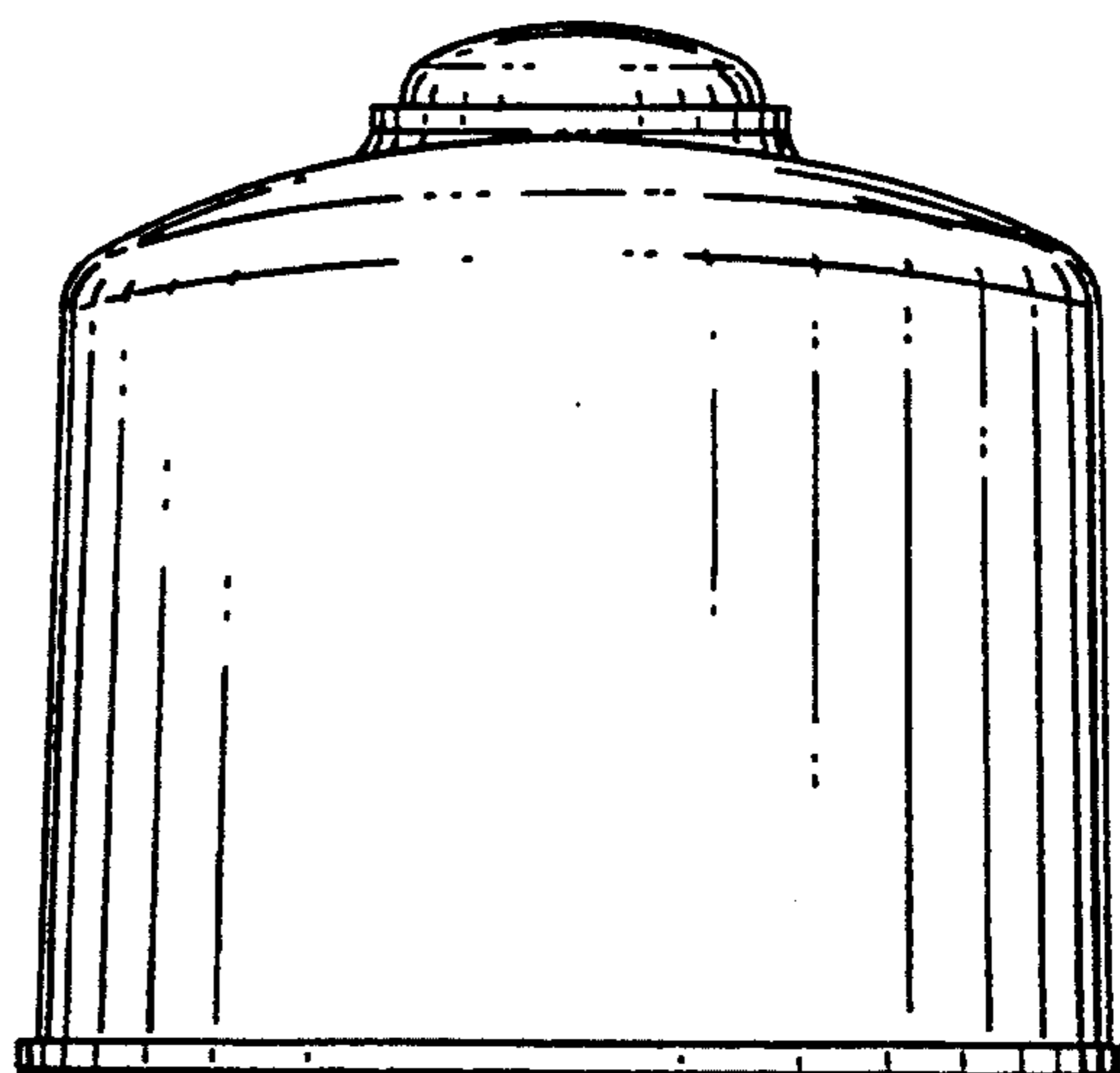


FIG. 3.



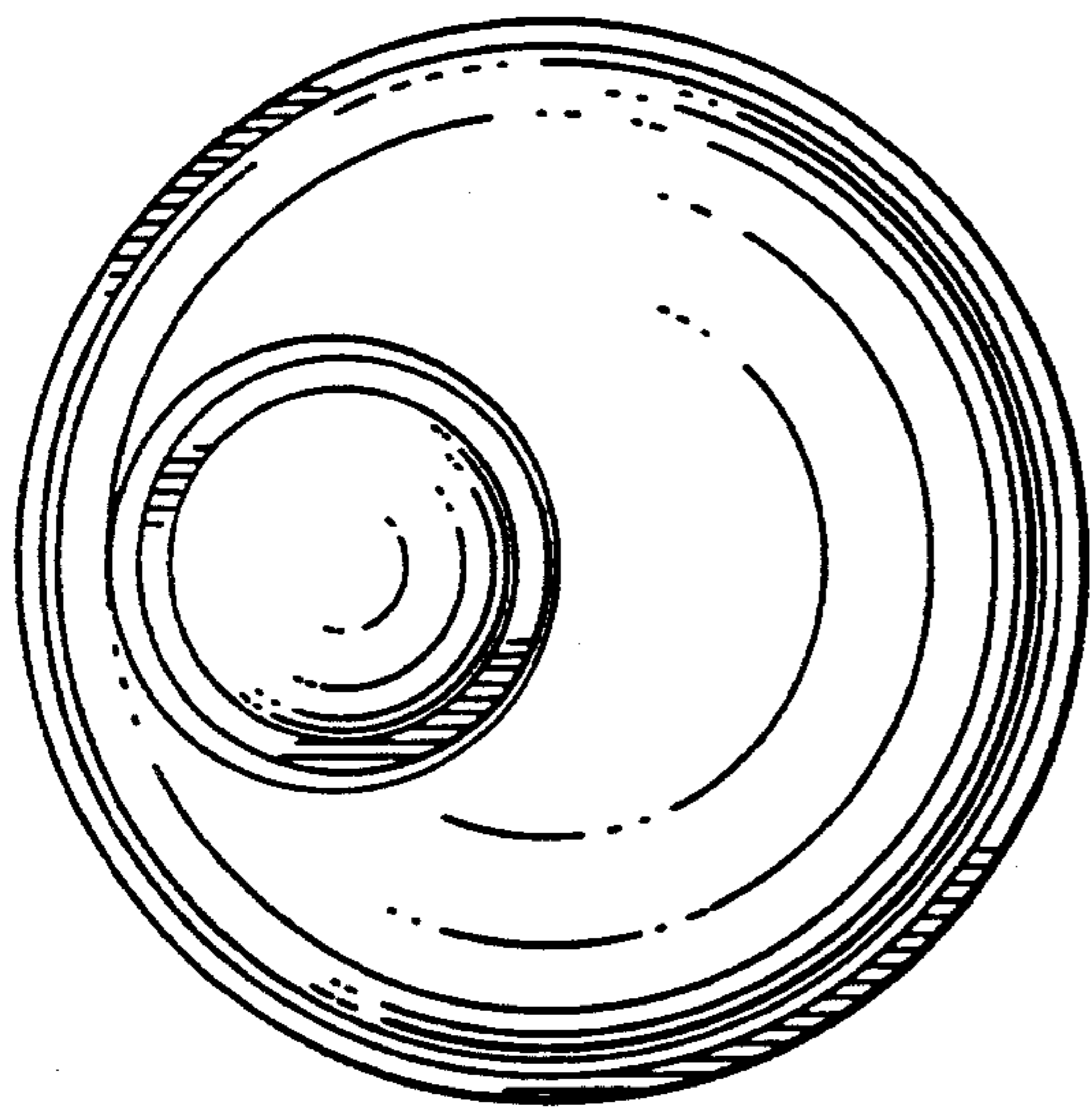


FIG. 4.

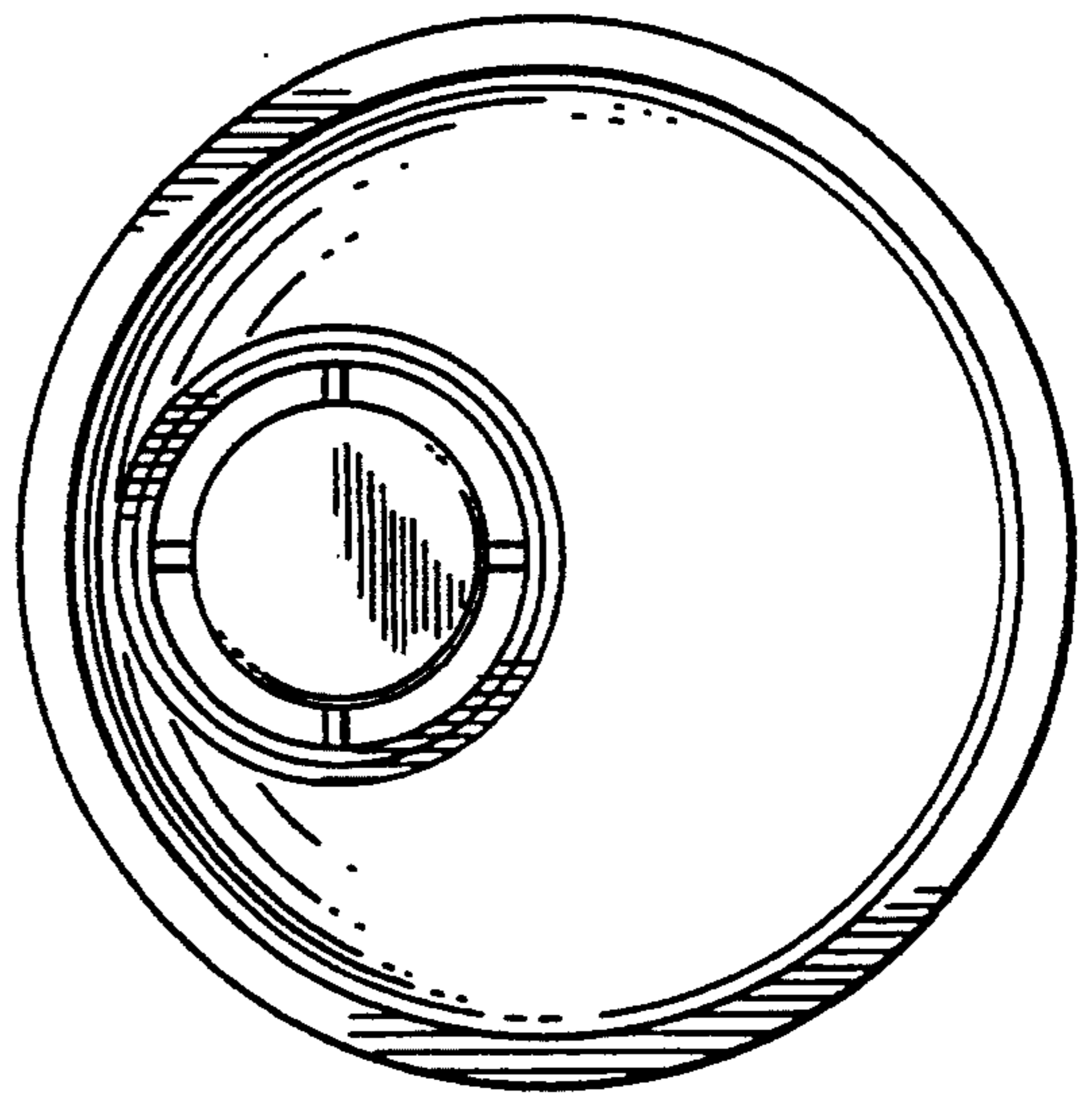


FIG. 5.

FIG. 6.

