



US00D355477S

United States Patent [19] Yang

[11] Patent Number: **Des. 355,477**
[45] Date of Patent: **** Feb. 14, 1995**

[54] **LAWN SPRINKLER**

[75] Inventor: **Ho M. Yang**, Taiwan, Taiwan, Prov. of China

[73] Assignee: **Samuel S. Yang**, Orange, Calif.

[**] Term: **14 Years**

[21] Appl. No.: **20,064**

[22] Filed: **Mar. 18, 1994**

[52] U.S. Cl. **D23/215**

[58] Field of Search **D23/214-219;**
D21/82, 87; 239/211, 242, 237-239, 225.1, 248,
230-233

[56] **References Cited**

U.S. PATENT DOCUMENTS

2,954,932 10/1960 Albano **D23/215**
5,050,801 9/1991 Ferrari **239/211**

OTHER PUBLICATIONS

Simplex Brochure p. 1 Jul. 3, 1974, Helicopter.

Primary Examiner—Wallace R. Burke

Assistant Examiner—Robin V. Taylor

Attorney, Agent, or Firm—Harris, Wallen, MacDermott & Tinsley

[57] **CLAIM**

The ornamental design for a lawn sprinkler, as shown and described.

DESCRIPTION

FIG. 1 is a front perspective view of a lawn sprinkler showing my new design;

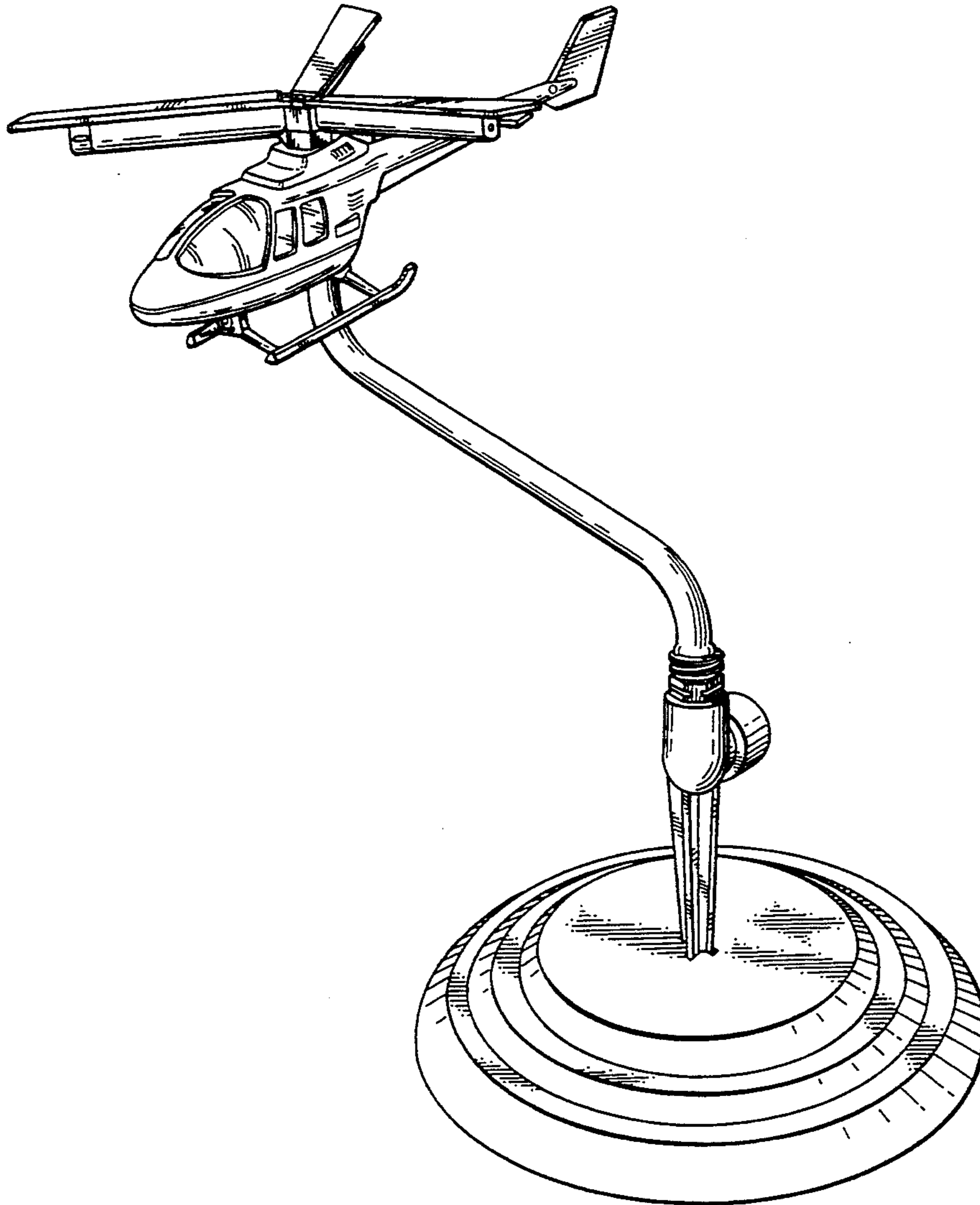
FIG. 2 is a right side view thereof;

FIG. 3 is a front view thereof;

FIG. 4 is a rear view thereof;

FIG. 5 is a top view thereof; and,

FIG. 6 is a bottom view thereof.



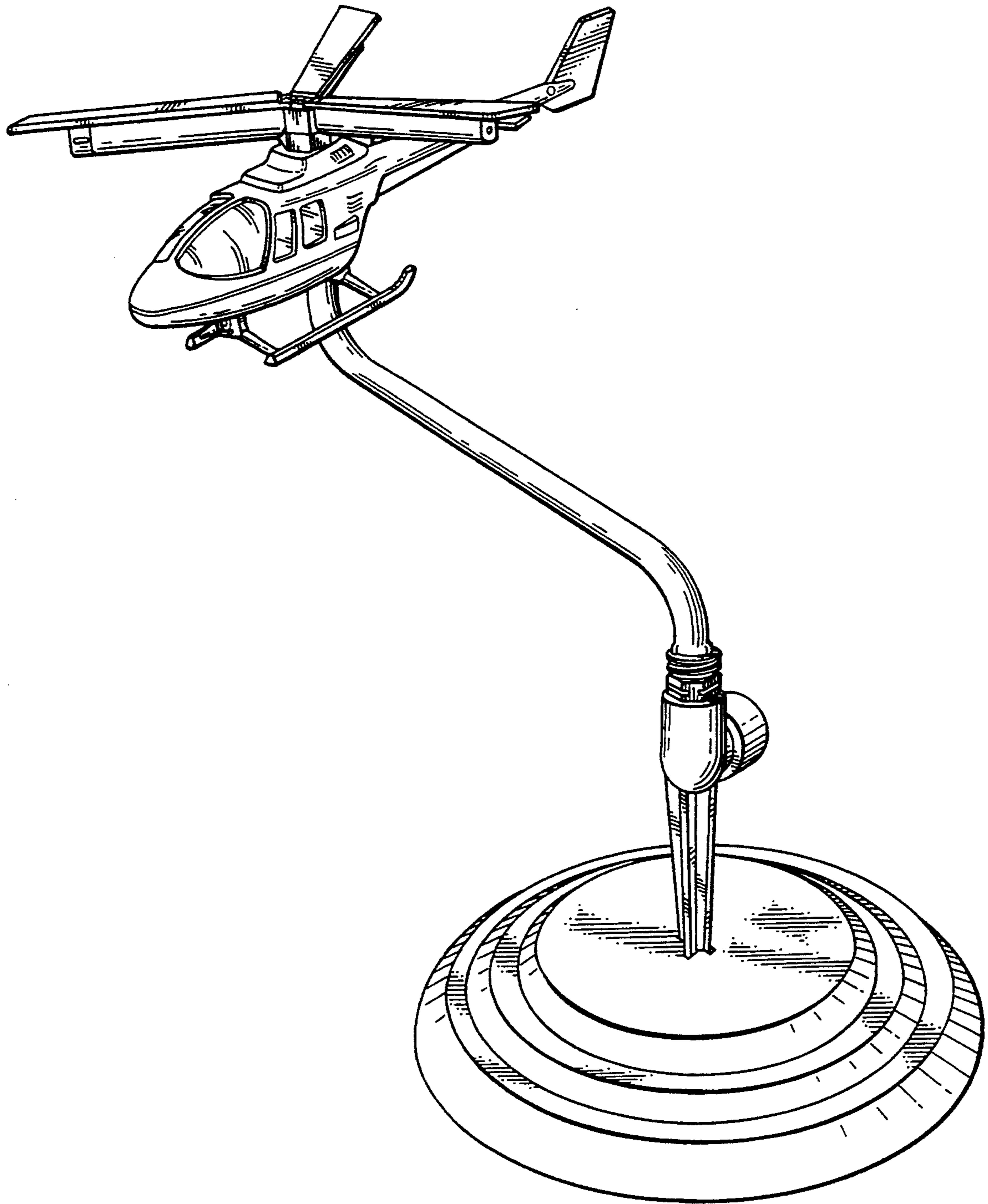


FIG. 1

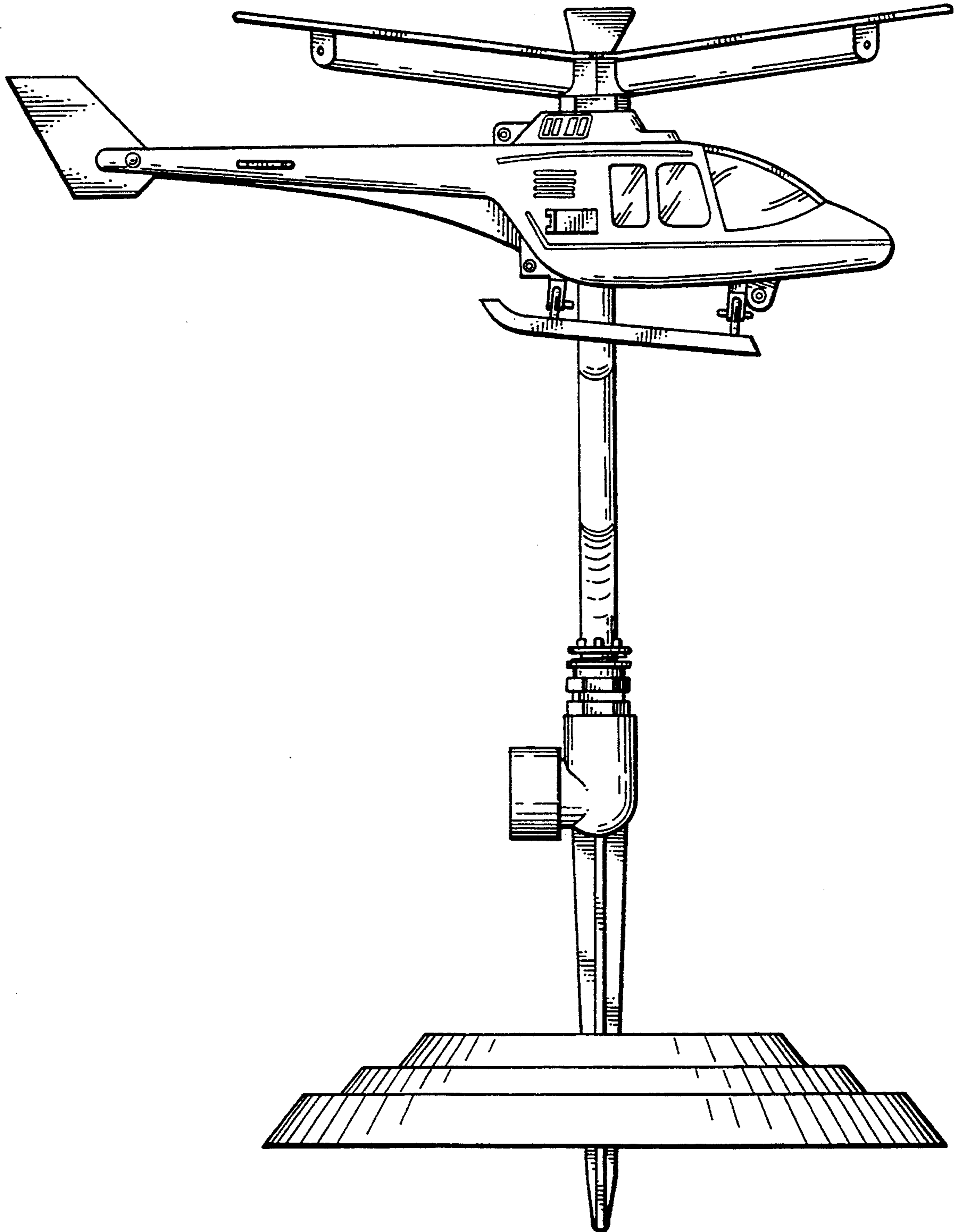


FIG. 2

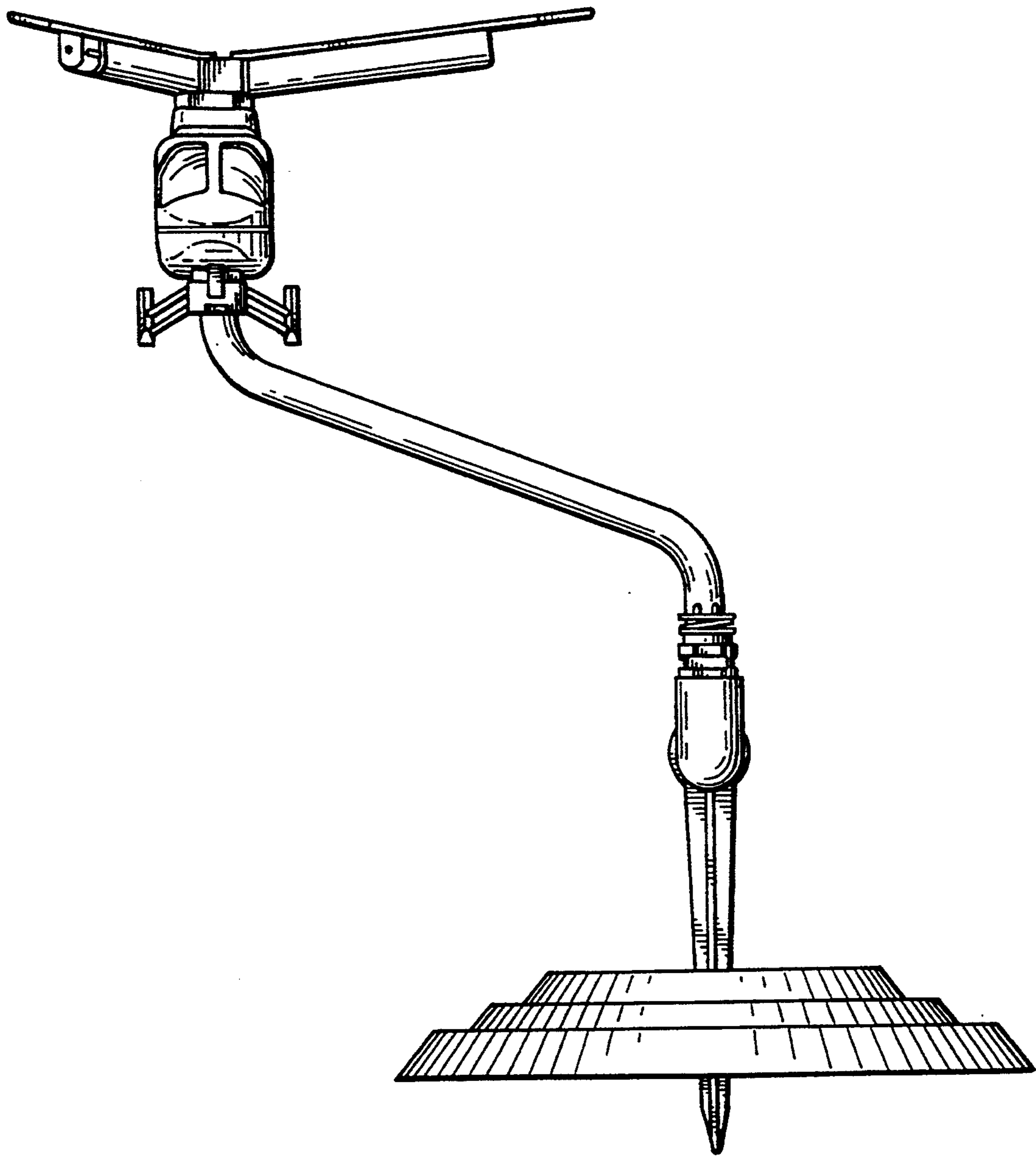


FIG. 3

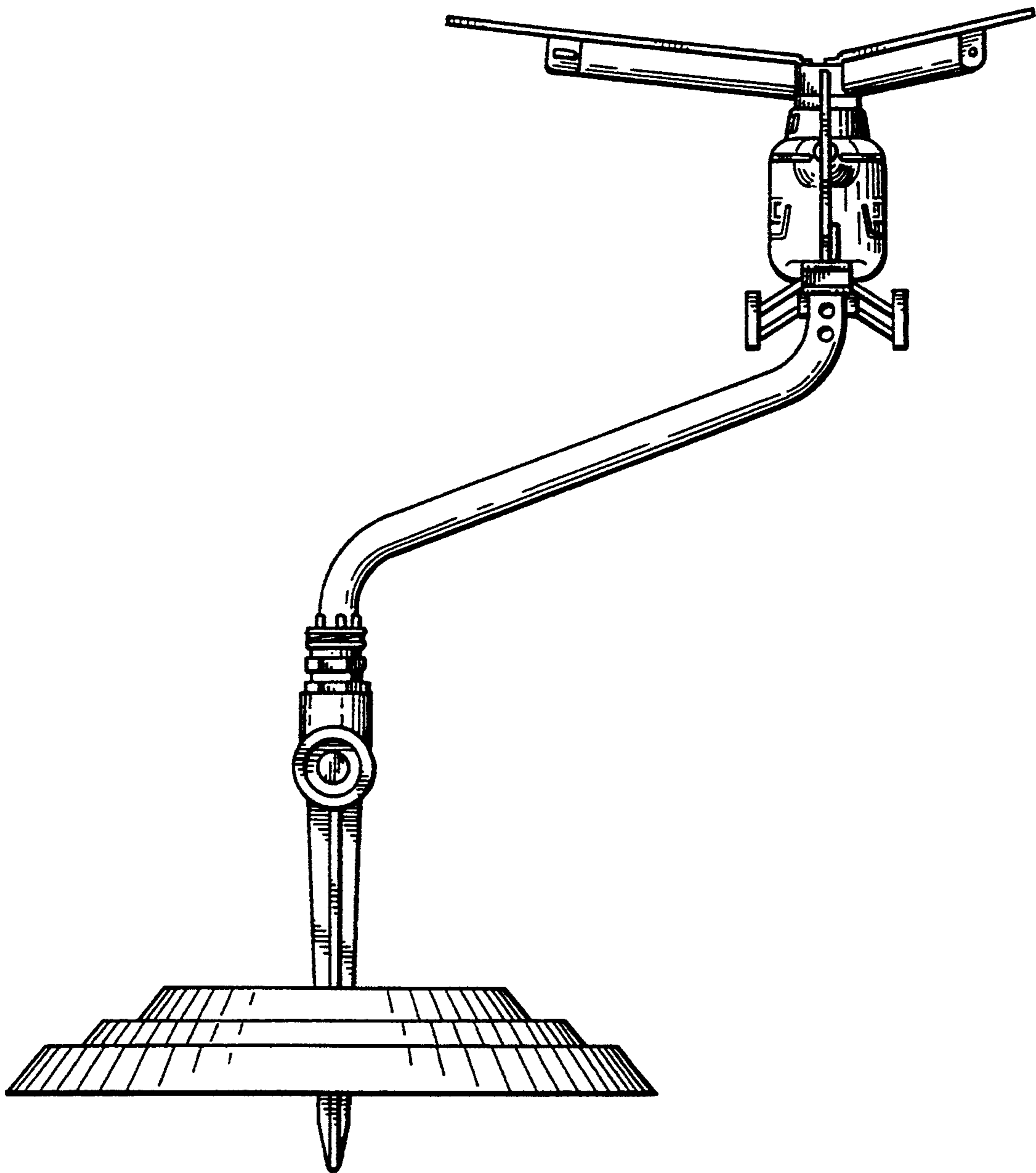


FIG. 4

FIG. 5

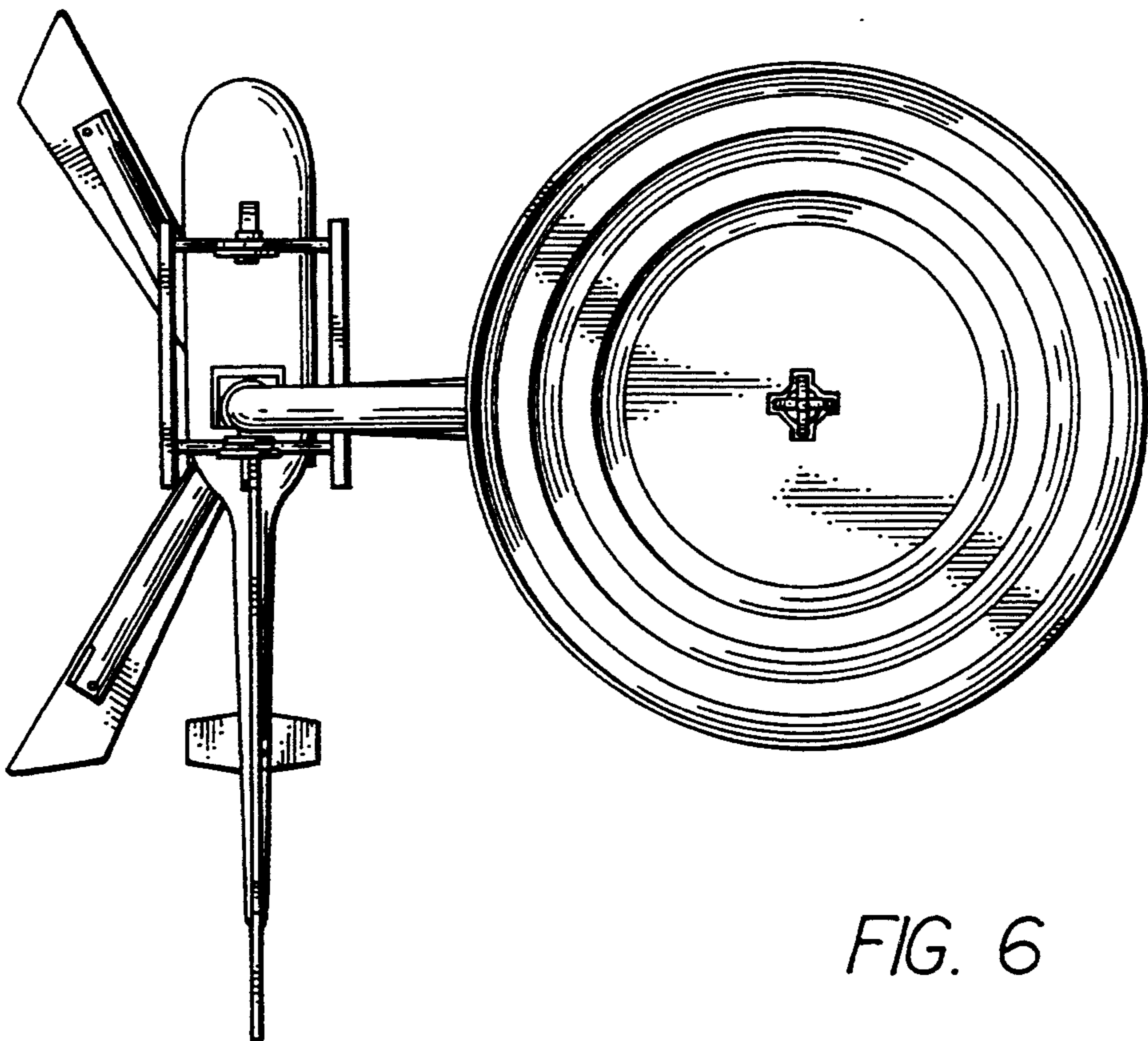
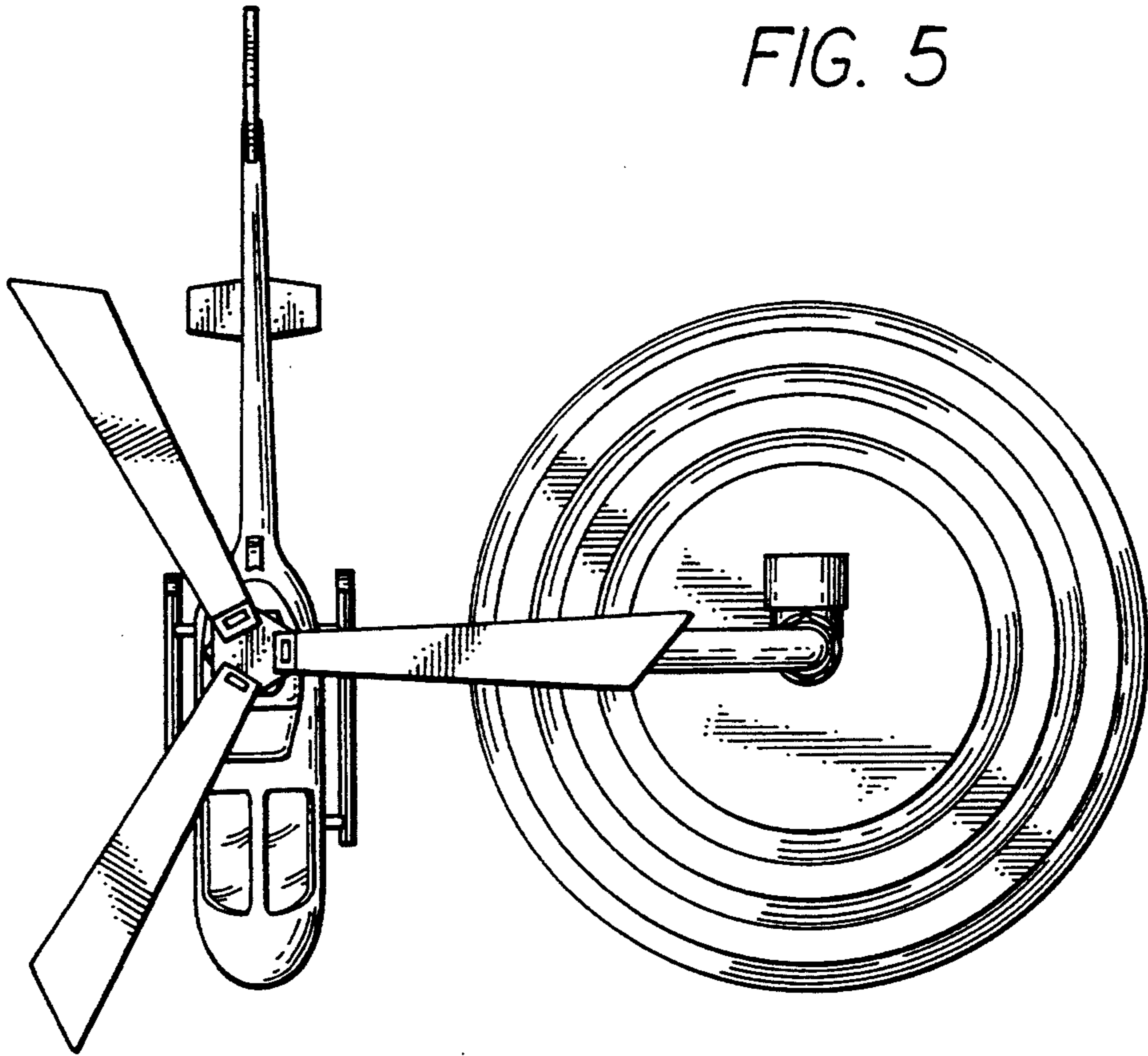


FIG. 6