



US00D355472S

United States Patent [19]

[11] Patent Number: **Des. 355,472**

Robbins

[45] Date of Patent: **** Feb. 14, 1995**

[54] **SPINNING FISHING REEL**

D. 336,677 6/1993 Shiozaki D22/141

[75] Inventor: **Richard J. Robbins, Derby, Kans.**

Primary Examiner—A. Hugo Word

Assistant Examiner—Doris V. Coles

[73] Assignee: **Zebco Corp., Tulsa, Okla.**

Attorney, Agent, or Firm—Wood, Phillips, VanSanten, Clark & Mortimer

[**] Term: **14 Years**

[57] **CLAIM**

[21] Appl. No.: **914,945**

The ornamental design for a spinning fishing reel, as shown and described.

[22] Filed: **Jul. 15, 1992**

[52] U.S. Cl. **D22/141**

[58] Field of Search D22/141, 140; 242/224, 242/230, 231, 232, 233, 245, 246

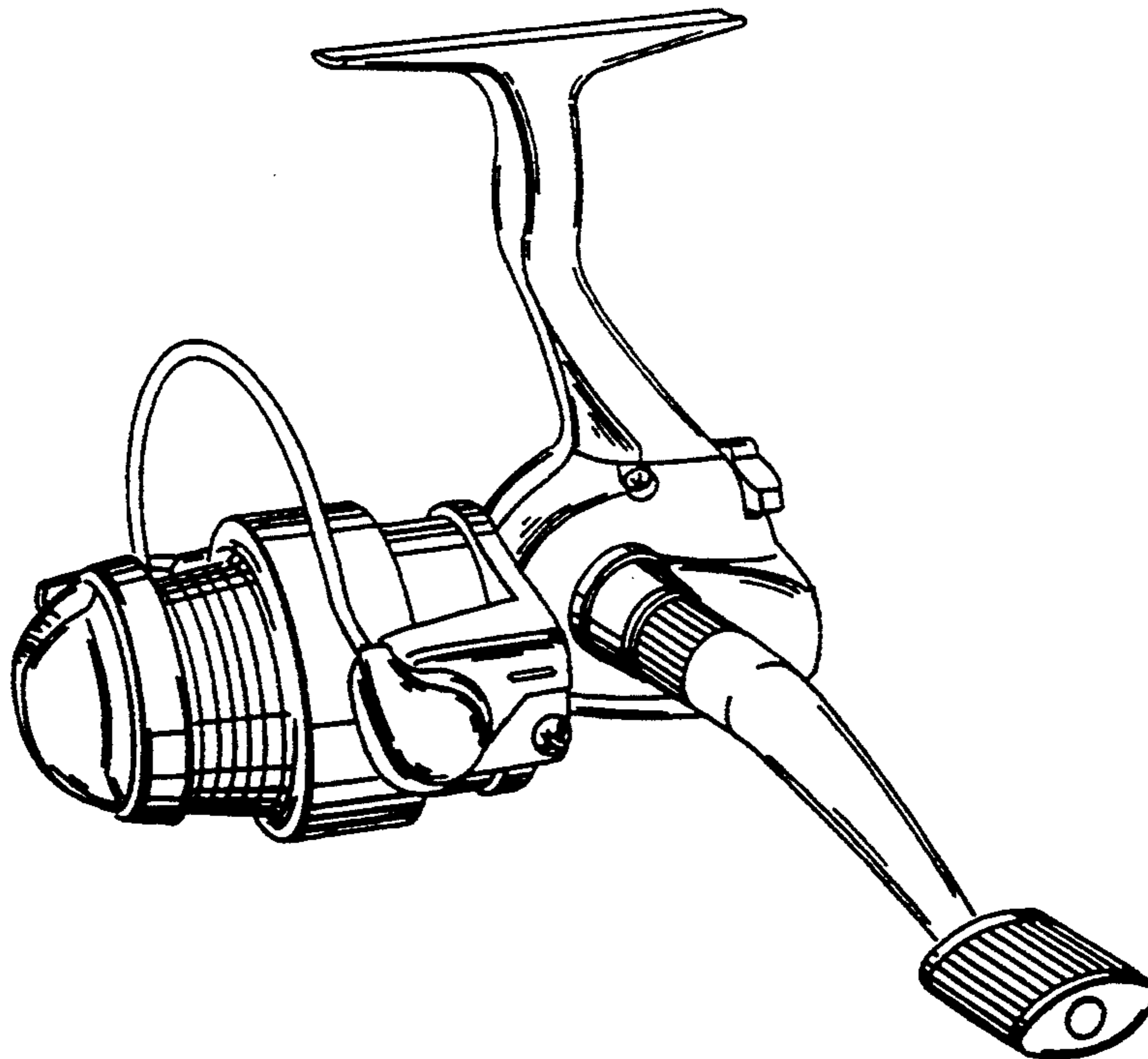
DESCRIPTION

FIG. 1 is a top, front and side perspective view of a spinning fishing reel, showing my new design;
FIG. 2 is a right side elevation view thereof;
FIG. 3 is a left side elevation view thereof;
FIG. 4 is a top plan view thereof;
FIG. 5 is a bottom plan view thereof;
FIG. 6 is a front elevation view; and,
FIG. 7 is a rear elevation view.

[56] **References Cited**

U.S. PATENT DOCUMENTS

- D. 314,808 2/1991 Yoshikawa D22/141
- D. 315,777 3/1991 Kameda et al. D22/141
- D. 331,958 12/1992 Robbins D22/141



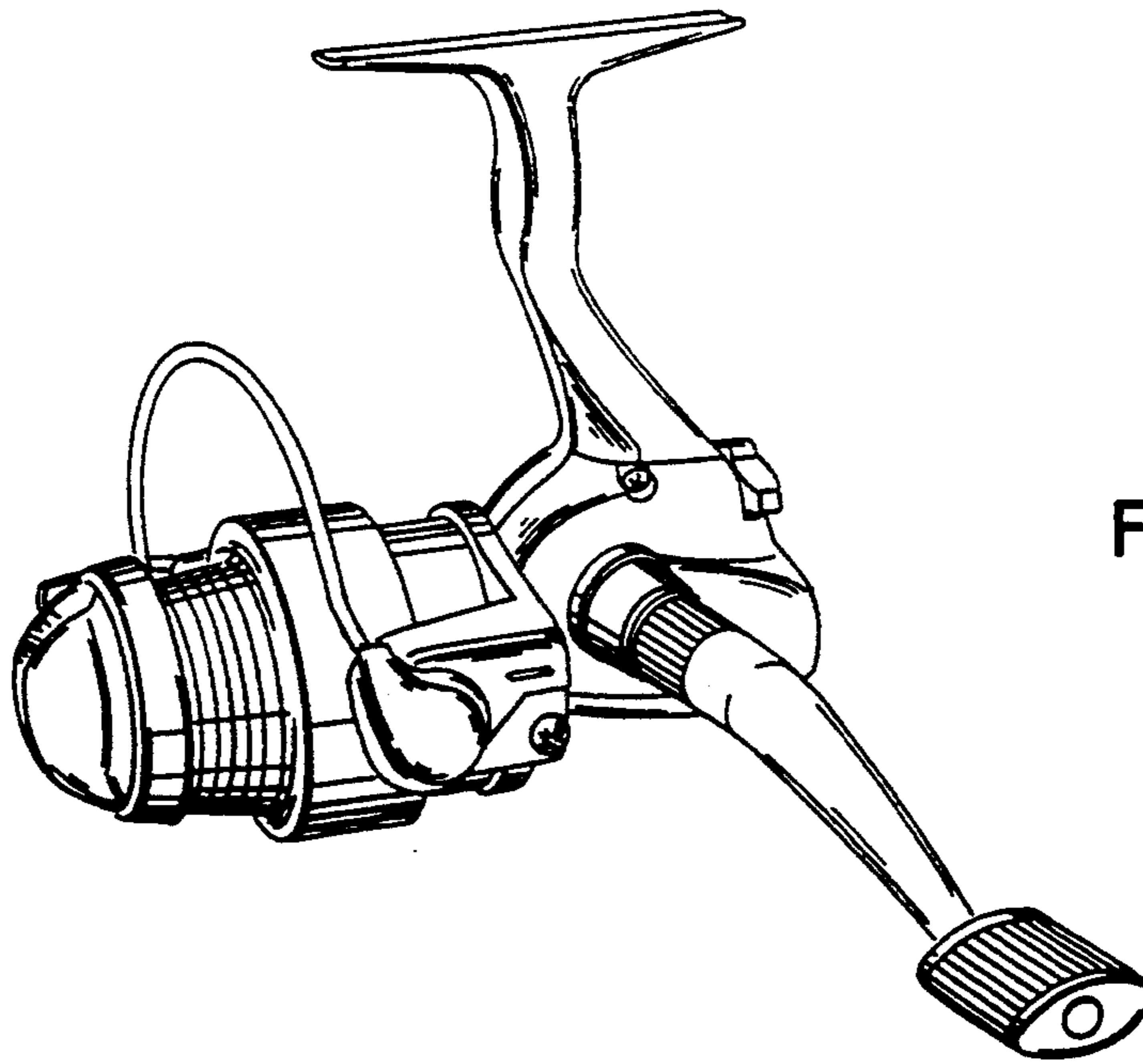


FIG. 1

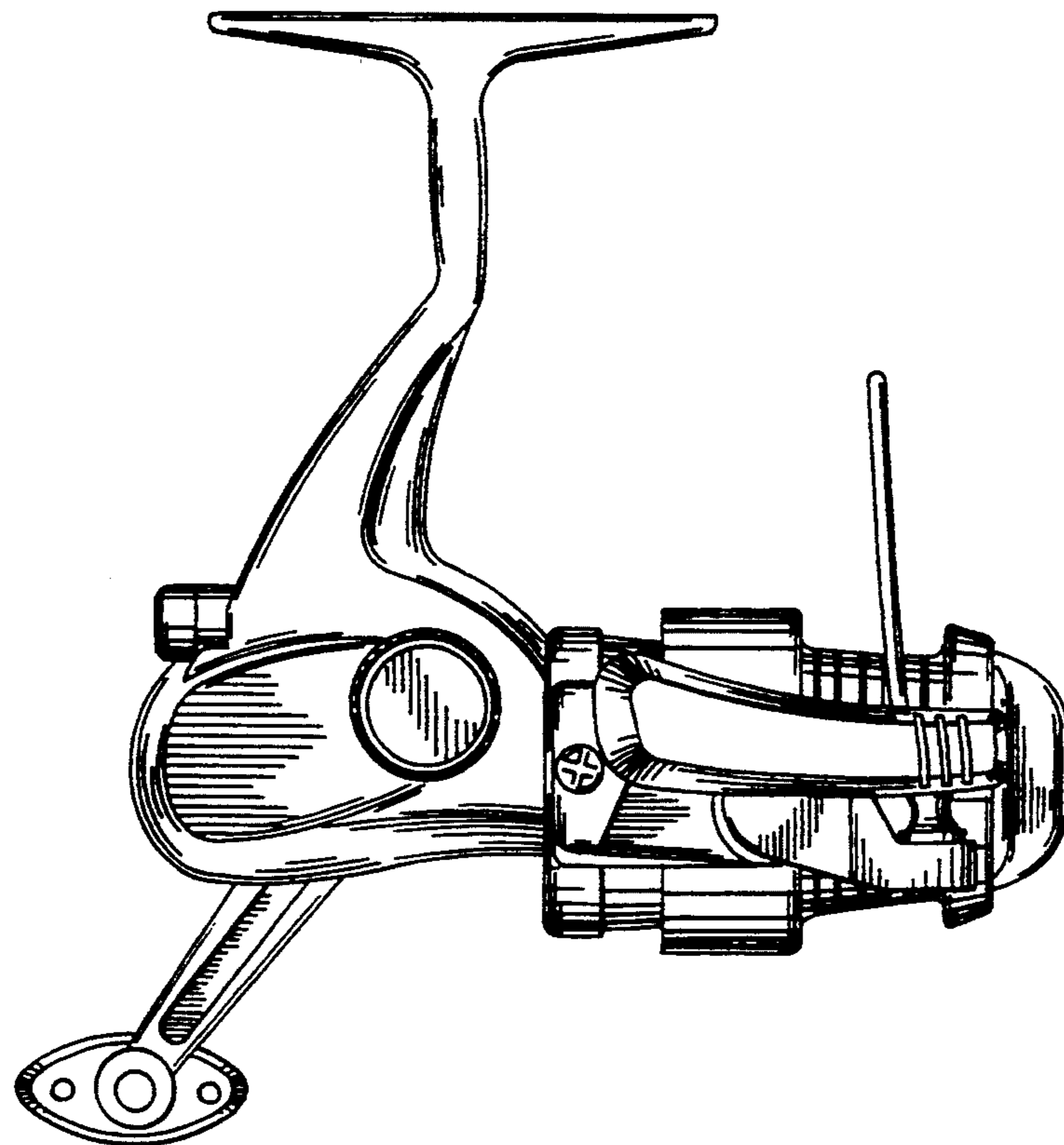


FIG. 2

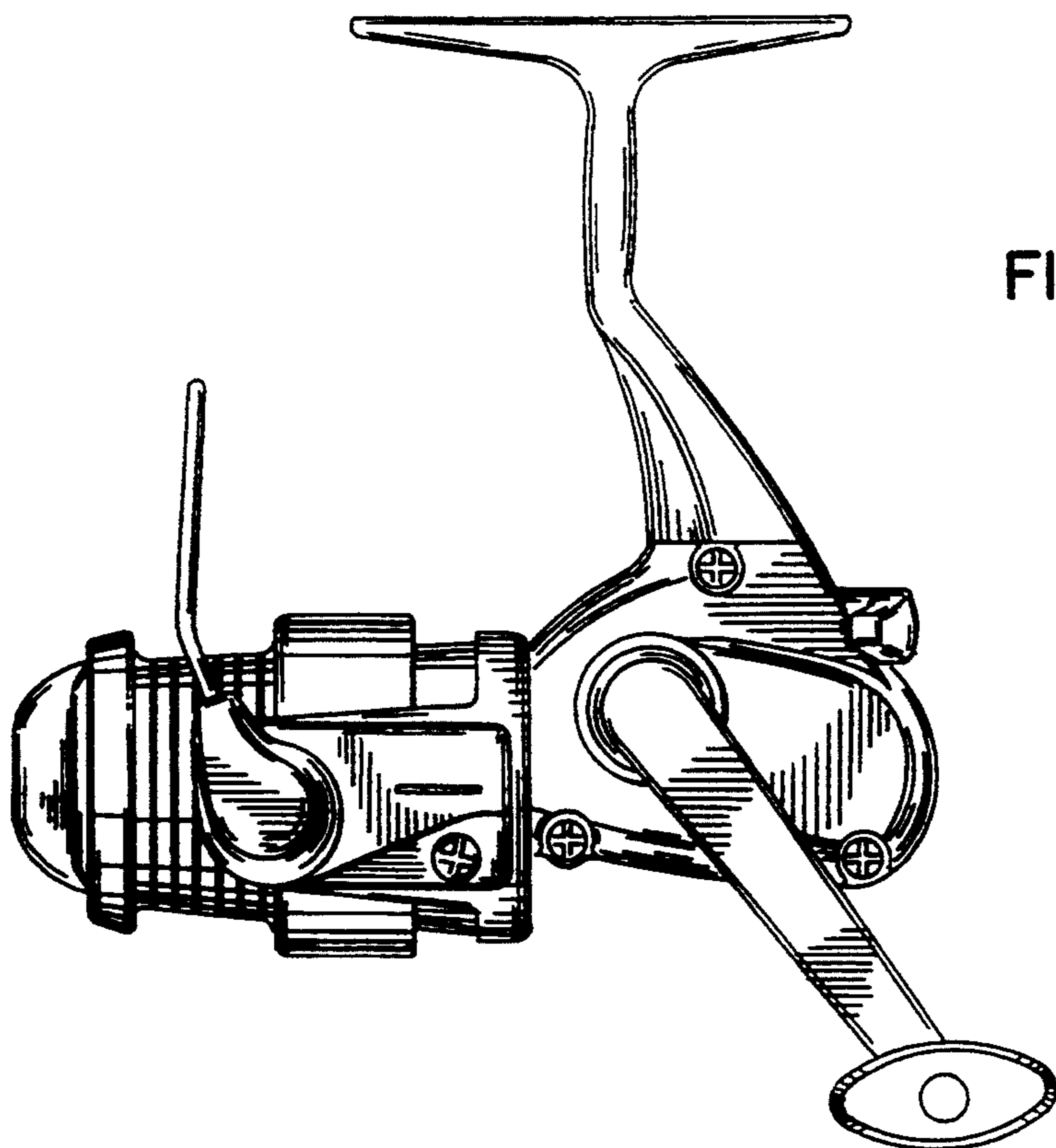


FIG. 3

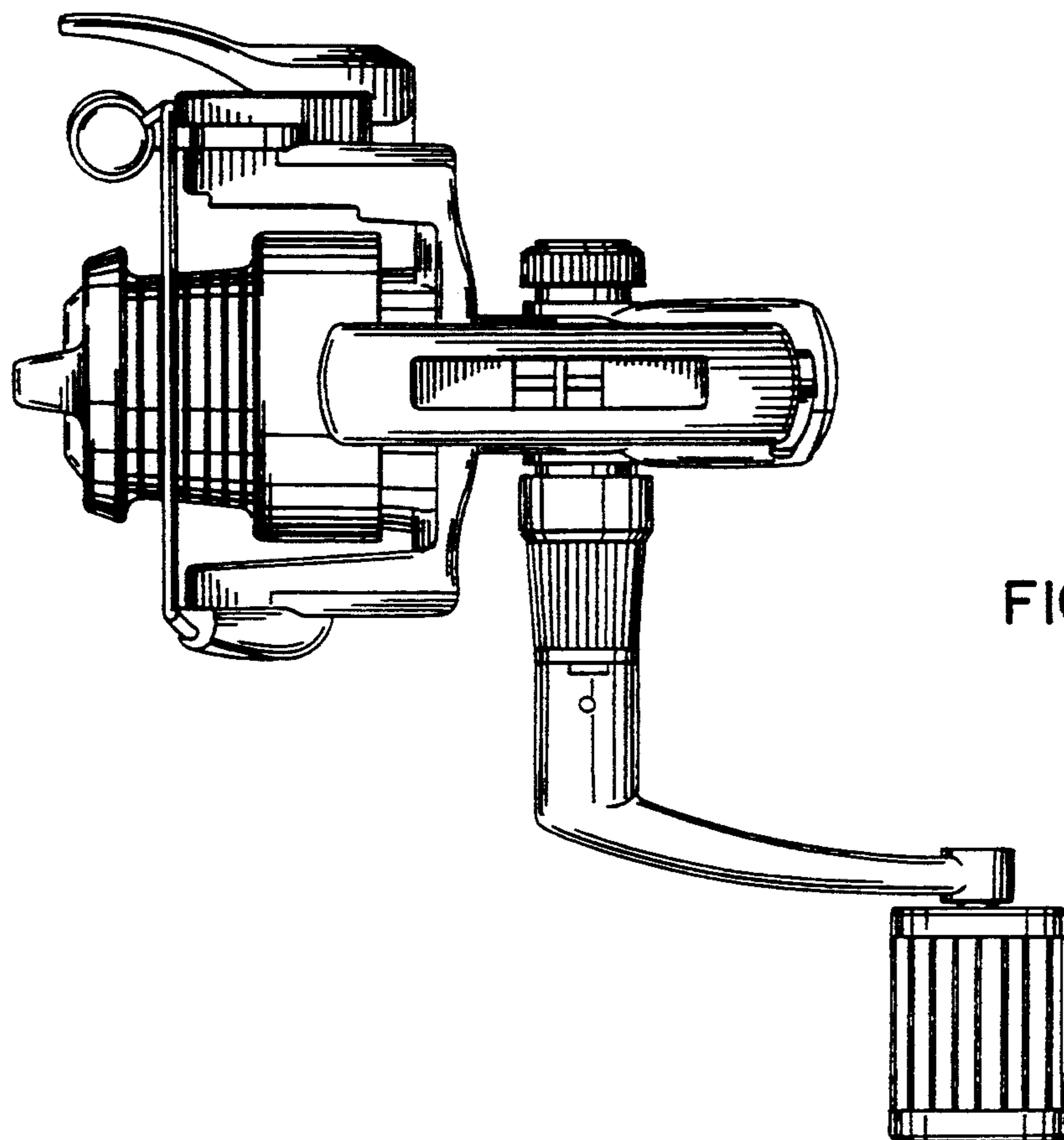


FIG. 4

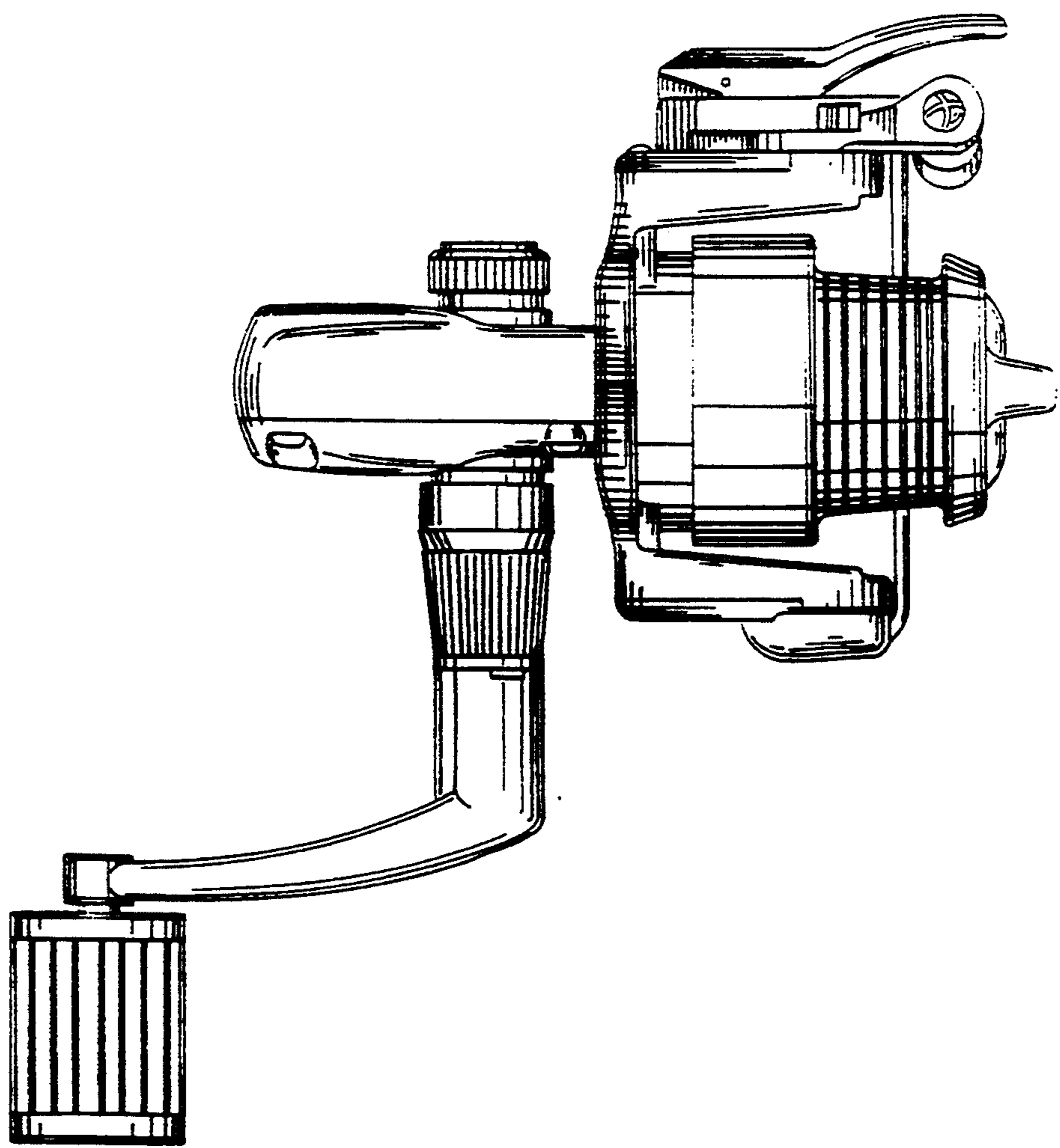


FIG. 5

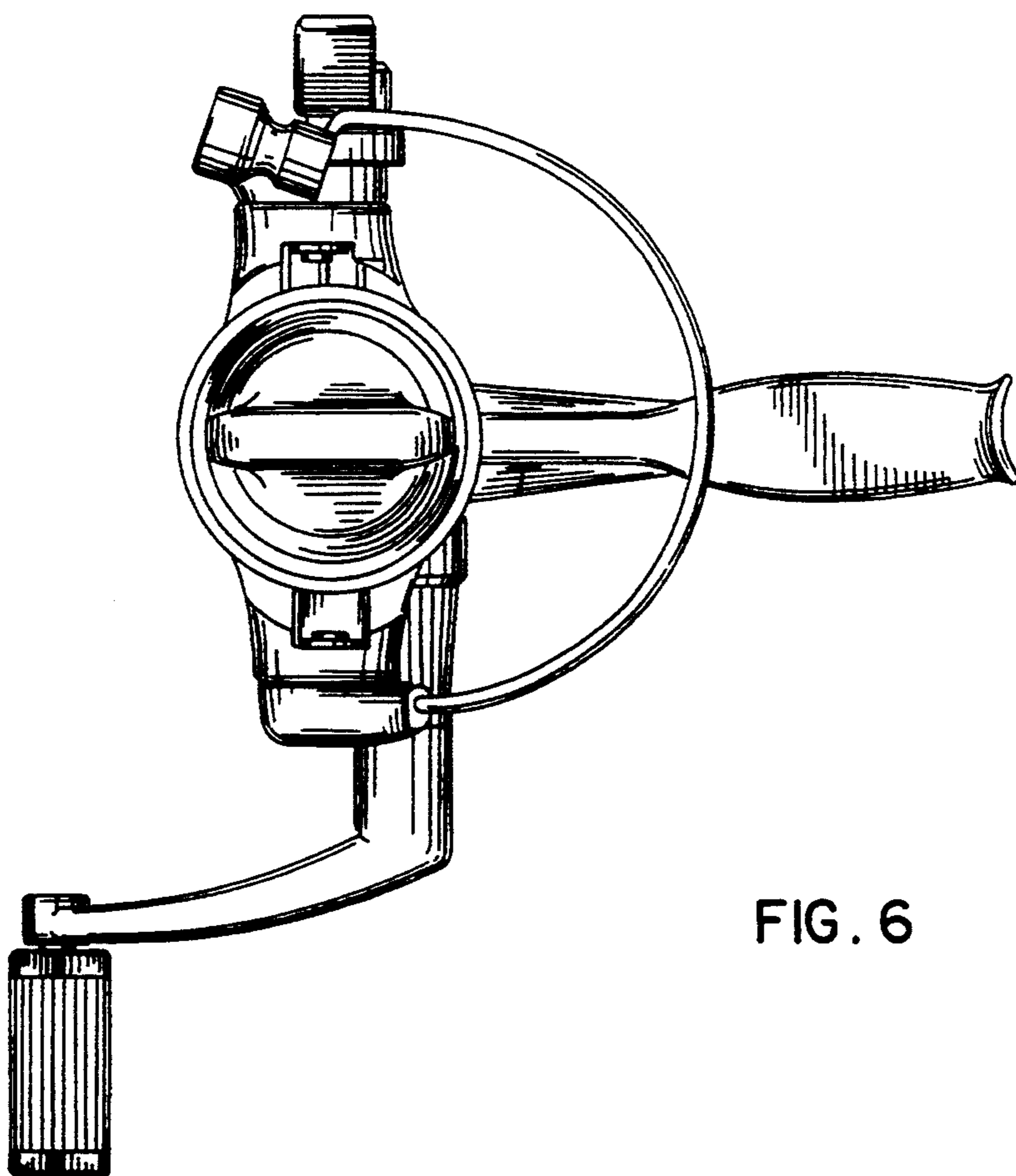


FIG. 6

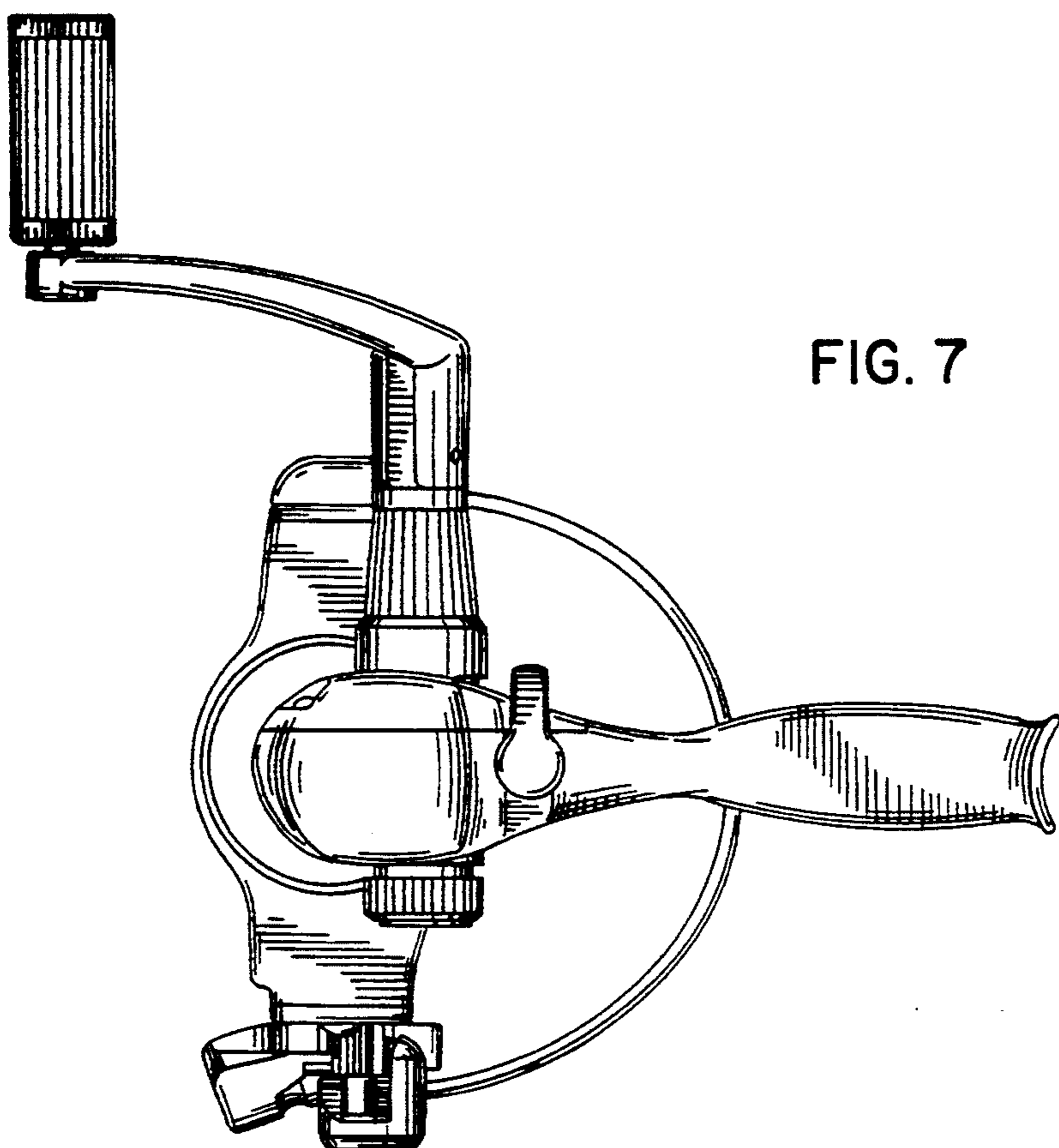


FIG. 7