



US00D355471S

United States Patent [19]

[11] Patent Number: **Des. 355,471**

Karr et al.

[45] Date of Patent: **** Feb. 14, 1995**

[54] **FISHING LINE LOADER**

[76] Inventors: **Craig C. Karr**, 1312 San Vicente Blvd., Santa Monica, Calif. 90402;
Arthur W. Saunders, 1126 Pine St., Santa Monica, Calif. 90405

[**] Term: **14 Years**

[21] Appl. No.: **793,707**

[22] Filed: **Dec. 9, 1991**

Related U.S. Application Data

[63] Continuation-in-part of Ser. No. 602,072, Oct. 19, 1990, abandoned.
[52] U.S. Cl. **D22/134**
[58] Field of Search **D22/134, 149, 199; D8/359; 242/129.8, 106, 156.1**

[56] **References Cited**

U.S. PATENT DOCUMENTS

2,699,918	1/1955	Bush	242/106 X
3,647,155	3/1972	Jorgenson	242/106
4,034,930	7/1977	Stevenson	242/106
4,360,172	11/1982	Cope	242/106 X
4,922,644	5/1990	Sherbondy	242/106 X
5,029,409	7/1991	Nouwens	242/106 X

FOREIGN PATENT DOCUMENTS

140986 6/1953 Sweden 242/106

Primary Examiner—A. Hugo Word
Assistant Examiner—Doris V. Coles
Attorney, Agent, or Firm—Donald M. Cislo

[57] **CLAIM**

The ornamental design for a fishing line loader, as shown and described.

DESCRIPTION

FIG. 1 is a perspective view of a fishing line loader, showing our new design;
FIG. 2 is a back elevational view thereof;
FIG. 3 is a front elevational view thereof;
FIG. 4 is a bottom plan view thereof;
FIG. 5 is a top plan view thereof;
FIG. 6 is a left side elevational view thereof, a right side elevational view being a mirror image of the left side elevational view;
FIG. 7 is a perspective view of a second embodiment;
FIG. 8 is a back elevational view thereof;
FIG. 9 is a front elevational view thereof;
FIG. 10 is a bottom plan view thereof;
FIG. 11 is a top plan view thereof; and,
FIG. 12 is a left side elevational view thereof, a right side elevational view being a mirror image of the left side elevational view.

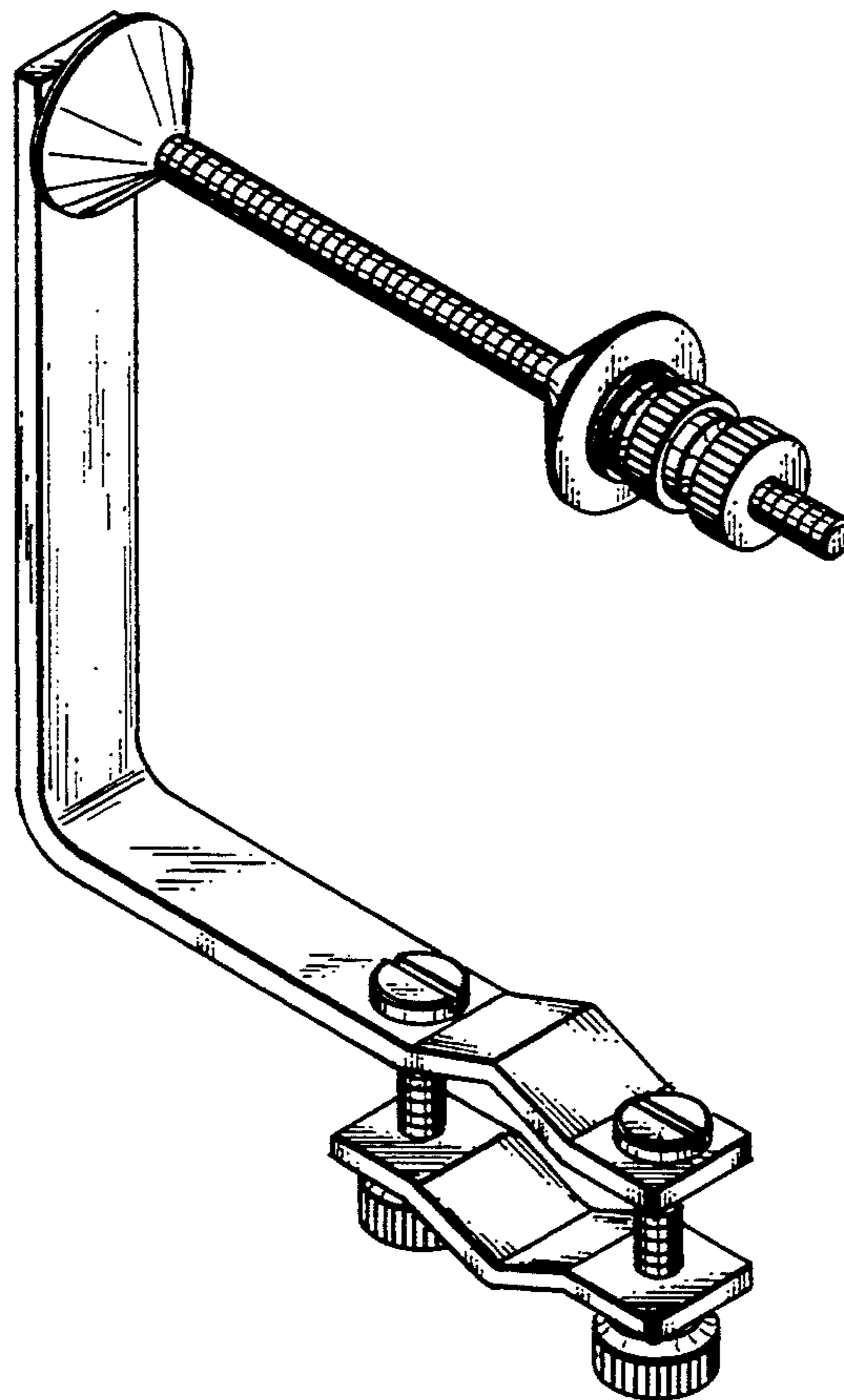


Fig. 1.

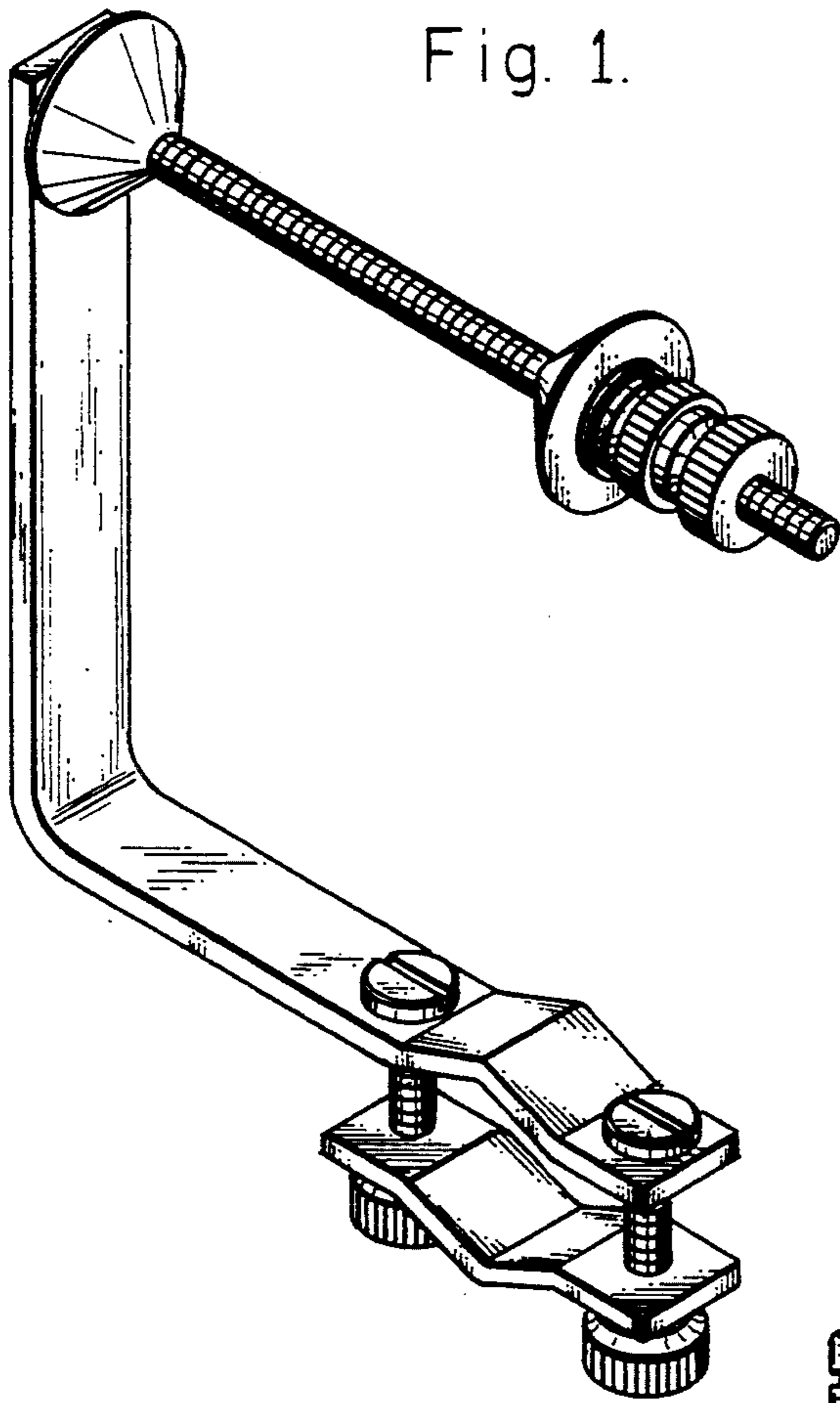


Fig. 2.

Fig. 3.

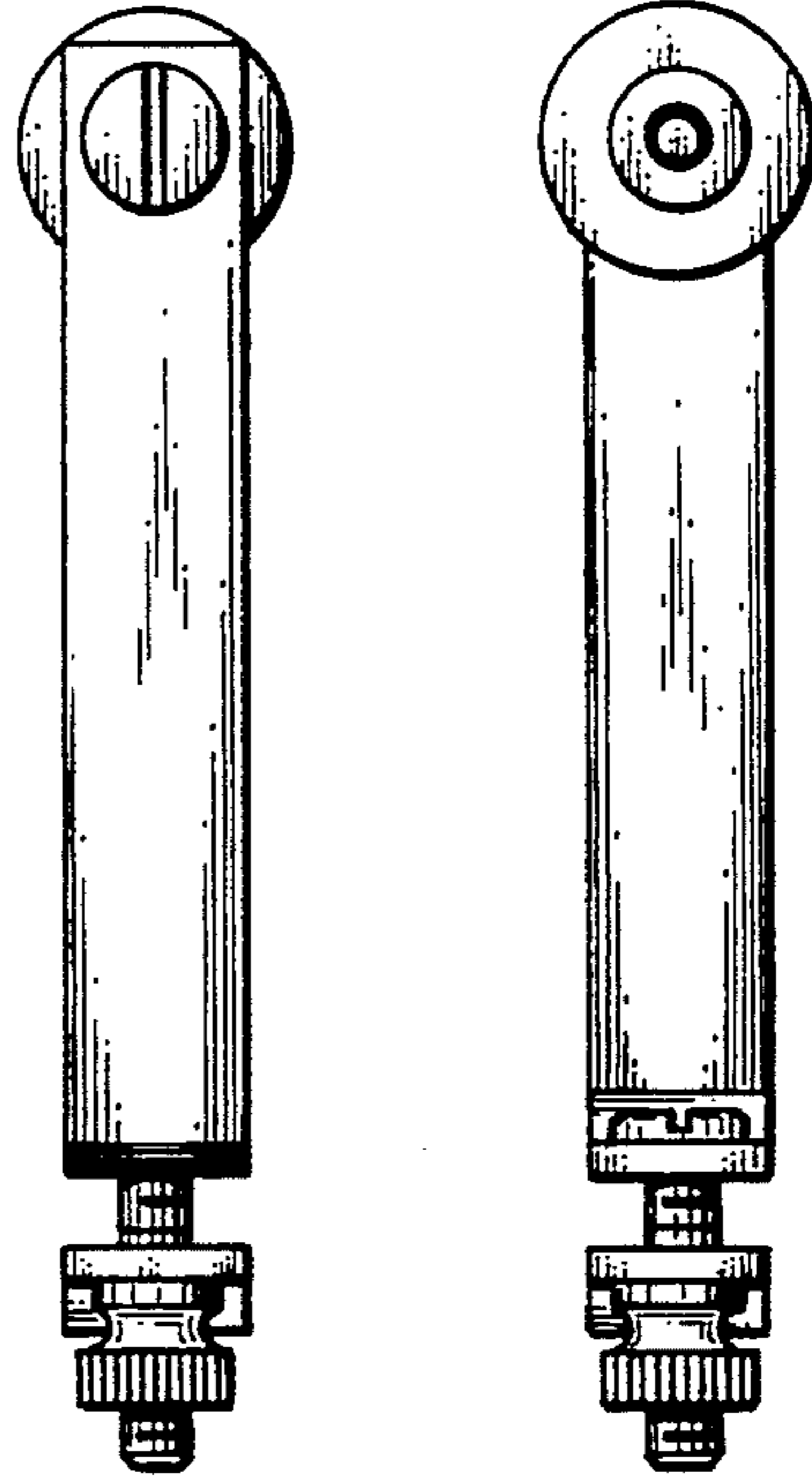


Fig. 4.

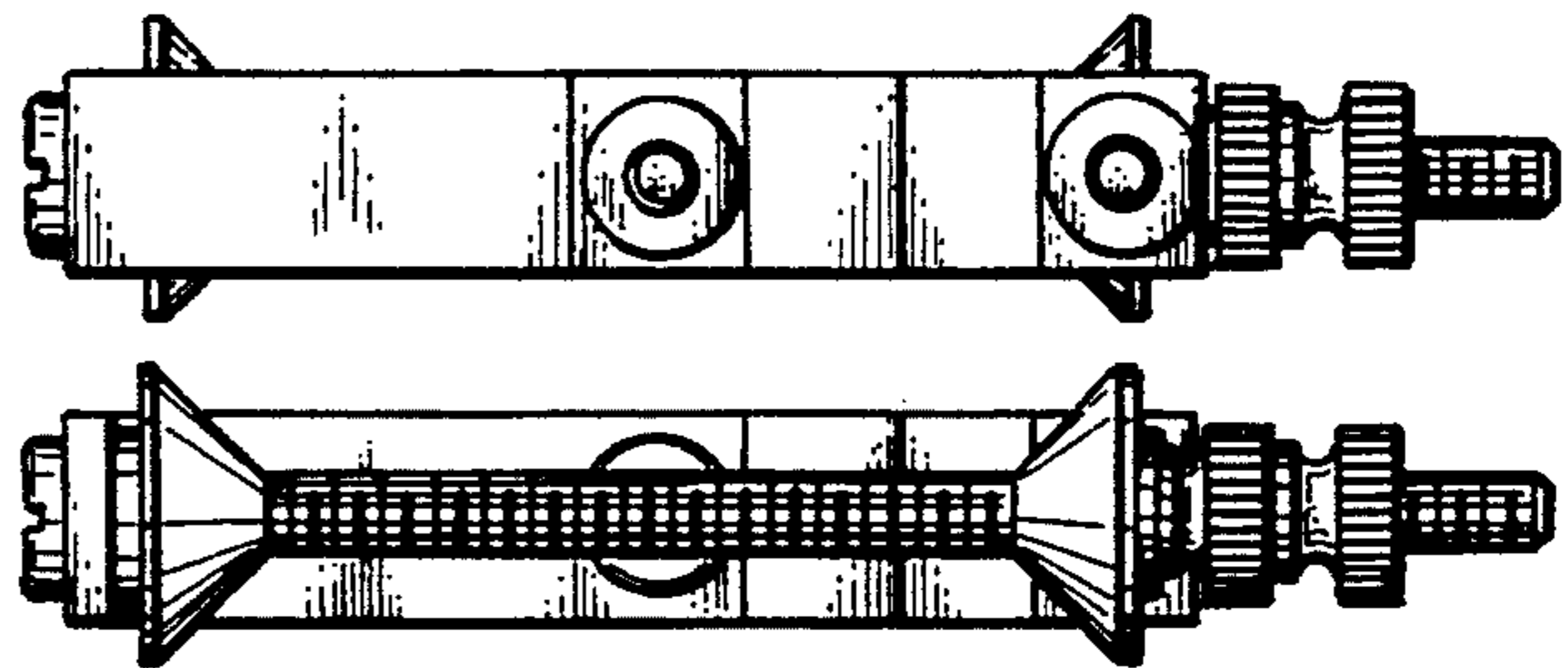


Fig. 5.

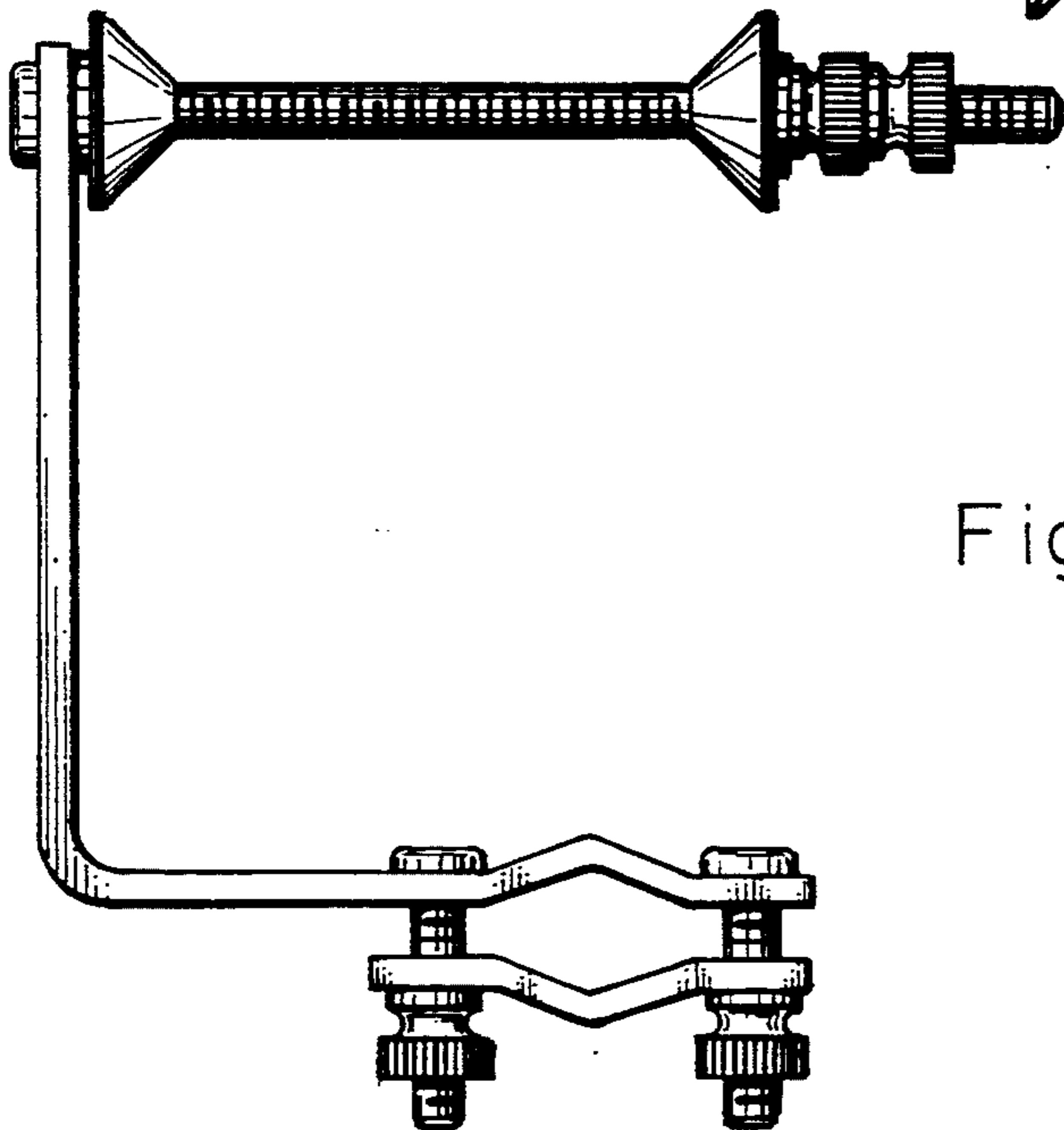


Fig. 6.

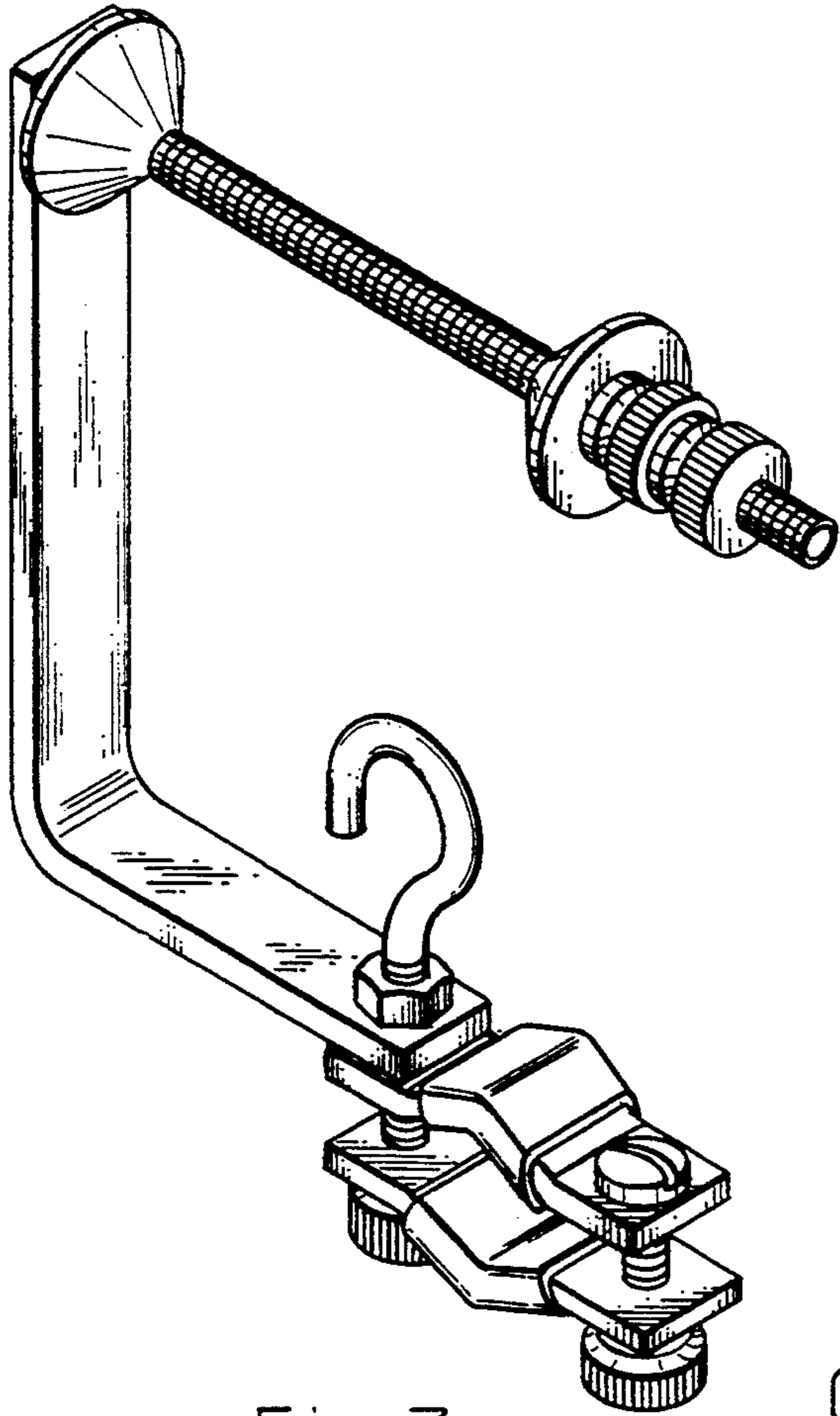


Fig. 7.

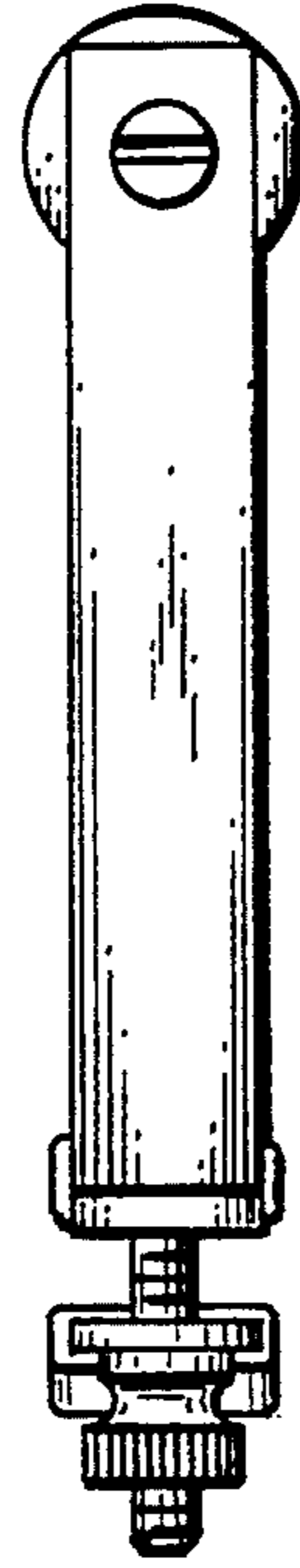


Fig. 8.

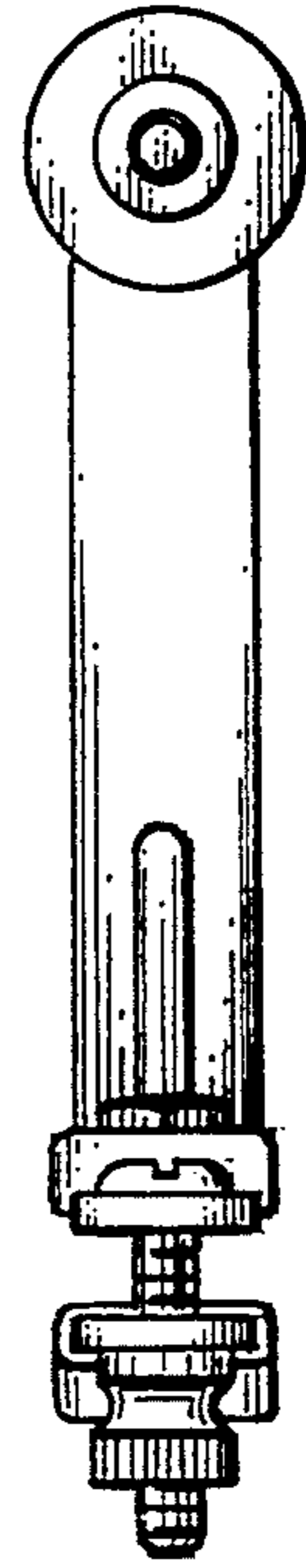


Fig. 9.

Fig. 10.

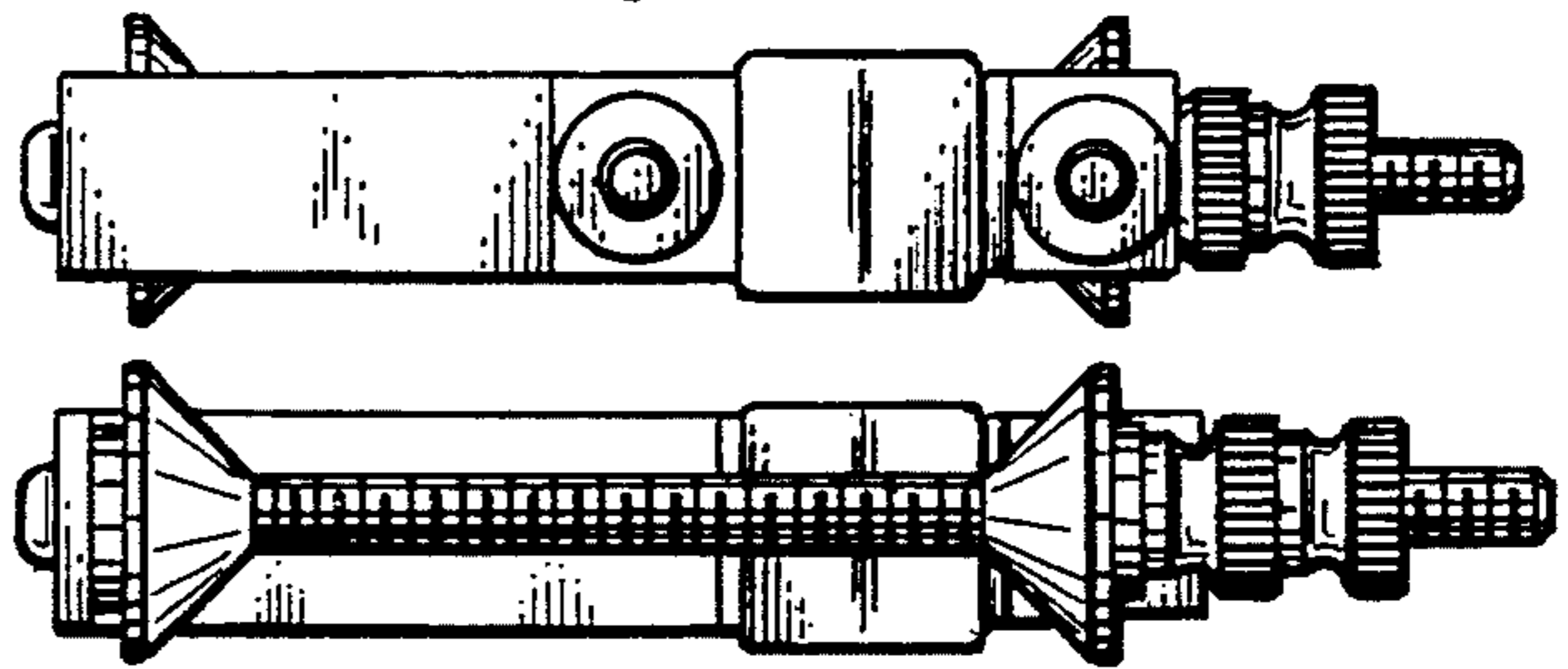


Fig. 11.

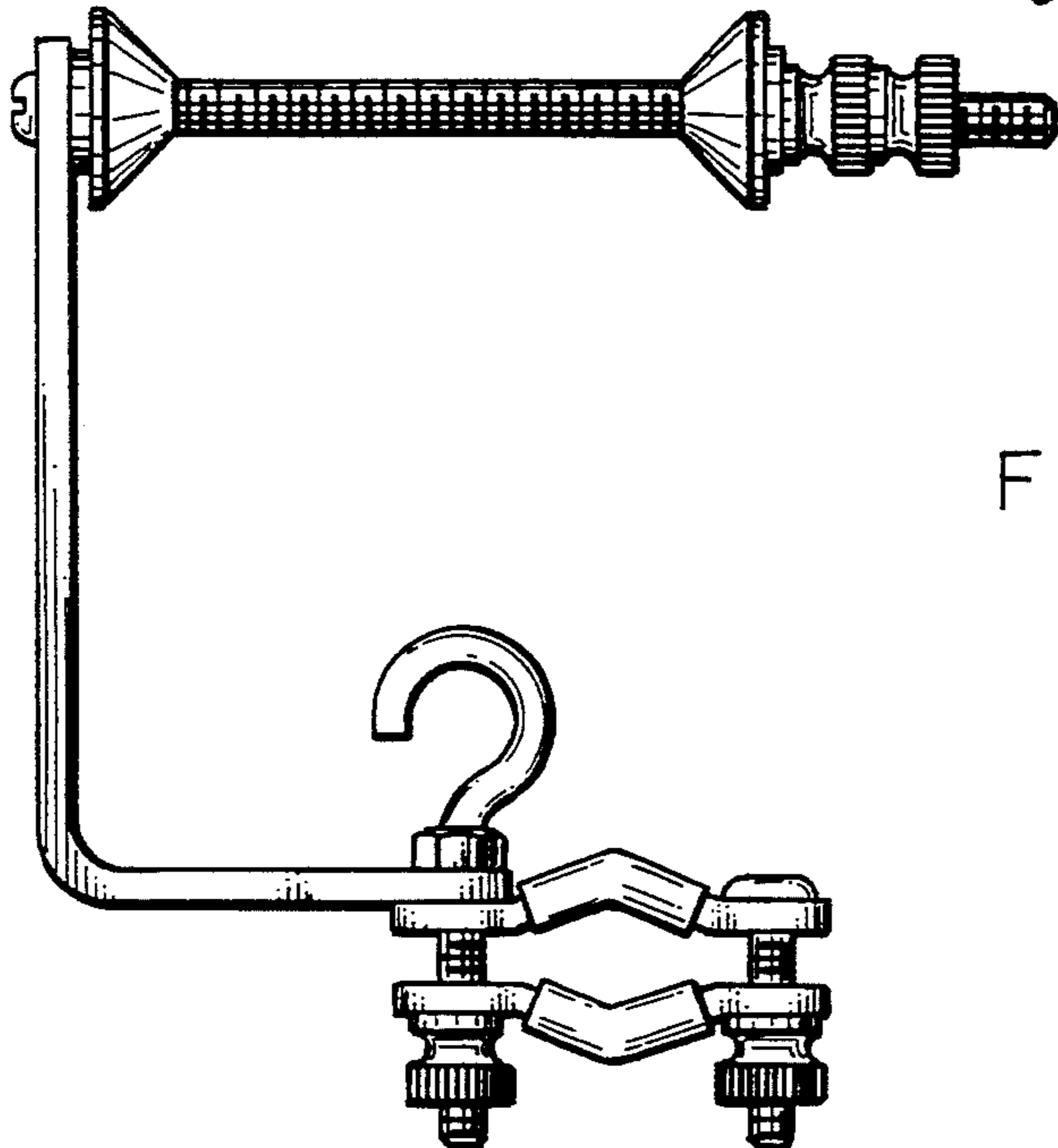


Fig. 12.