



US00D355465S

United States Patent [19]

[11] Patent Number: **Des. 355,465**

Davies

[45] Date of Patent: **** Feb. 14, 1995**

[54] **SWIM BOARD FOR CARRYING SCUBA DIVING EQUIPMENT**

5,163,694 11/1992 Reichelk 441/129

[76] Inventor: **Timothy M. Davies**, 1171 Aztec, Topanga, Calif. 90290

Primary Examiner—Kay H. Chin
Attorney, Agent, or Firm—H. Jay Spiegel

[**] Term: **14 Years**

[57] **CLAIM**

The ornamental design for a swim board for carrying scuba diving equipment, as shown and described.

[21] Appl. No.: **18,899**

DESCRIPTION

[22] Filed: **Feb. 18, 1994**

[52] U.S. Cl. **D21/237; D12/316**

[58] Field of Search **D21/237, 236; D12/316; 441/129, 35; D22/134, 146**

FIG. 1 is a top perspective view of a swim board for carrying scuba diving equipment showing my new design;

FIG. 2 is a top plan view thereof with an air tank, the broken lines are for illustrative purposes only and form no part of the claimed design;

FIG. 3 is a bottom plan view thereof; and,

FIG. 4 is a rear elevational view thereof, the broken lines are for illustrative purposes only.

[56] **References Cited**

U.S. PATENT DOCUMENTS

- D. 309,937 8/1990 Baxter D21/237
- 4,518,364 5/1985 Jacobson 441/129

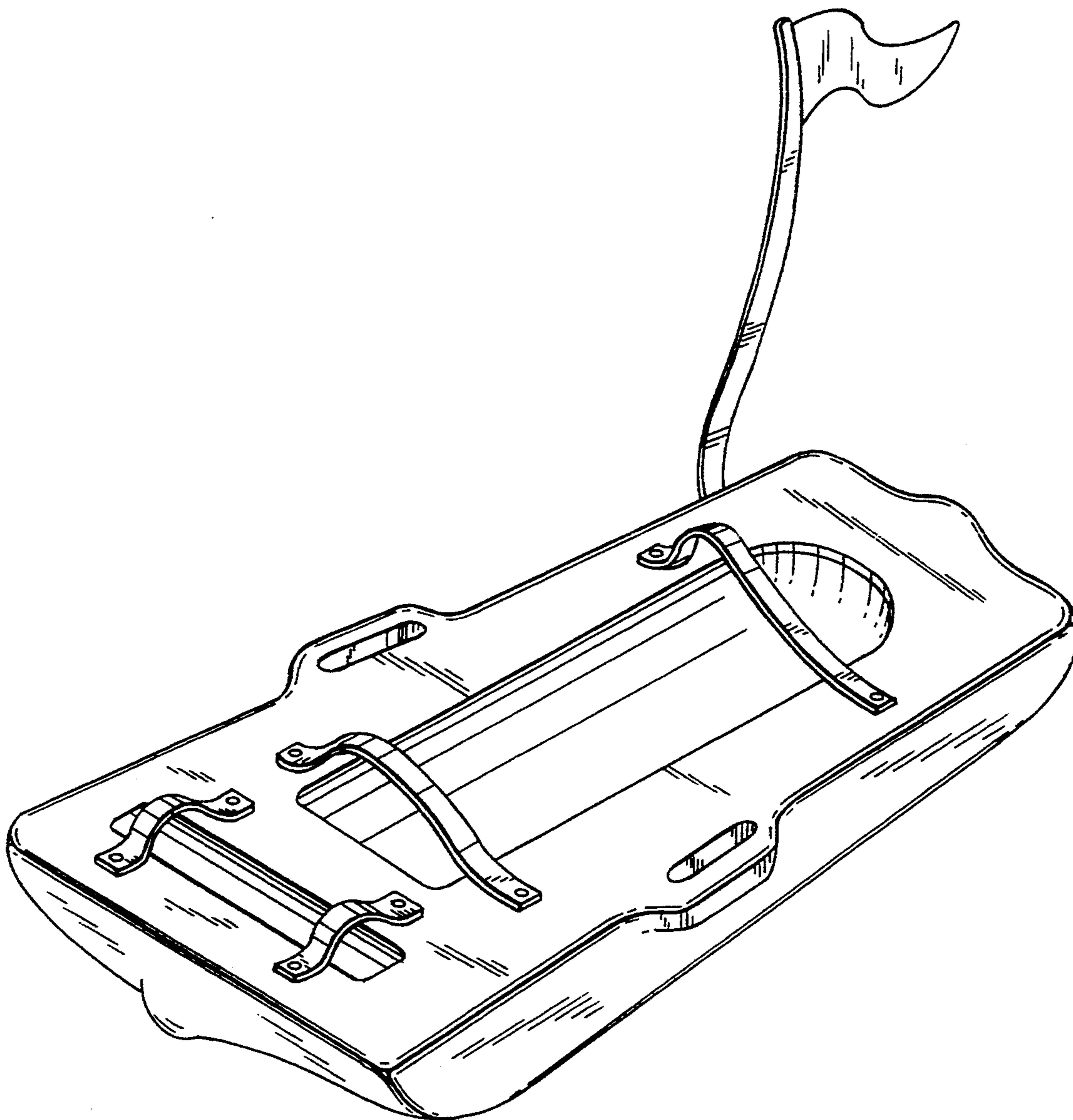


FIG. 1

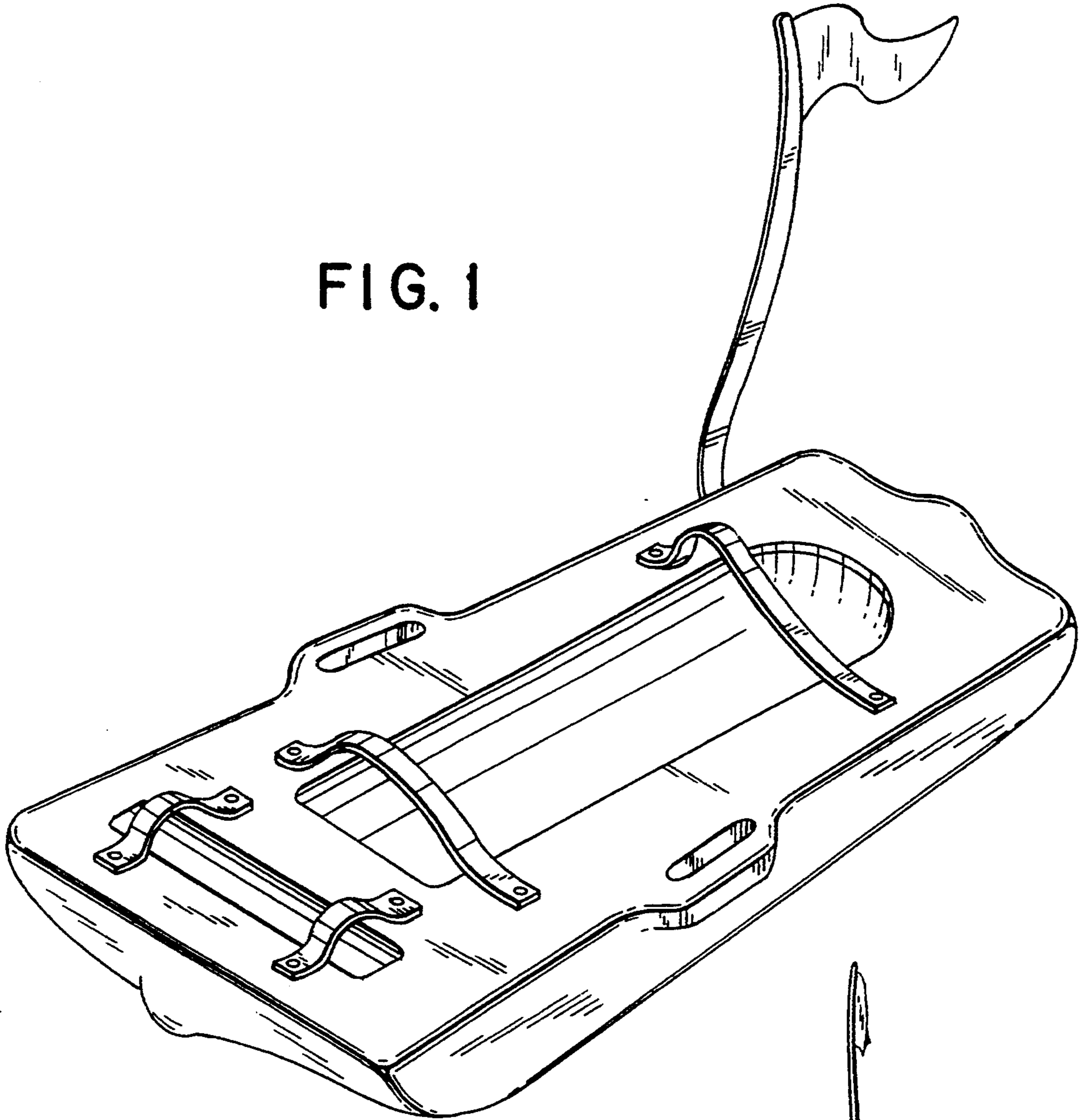


FIG. 4

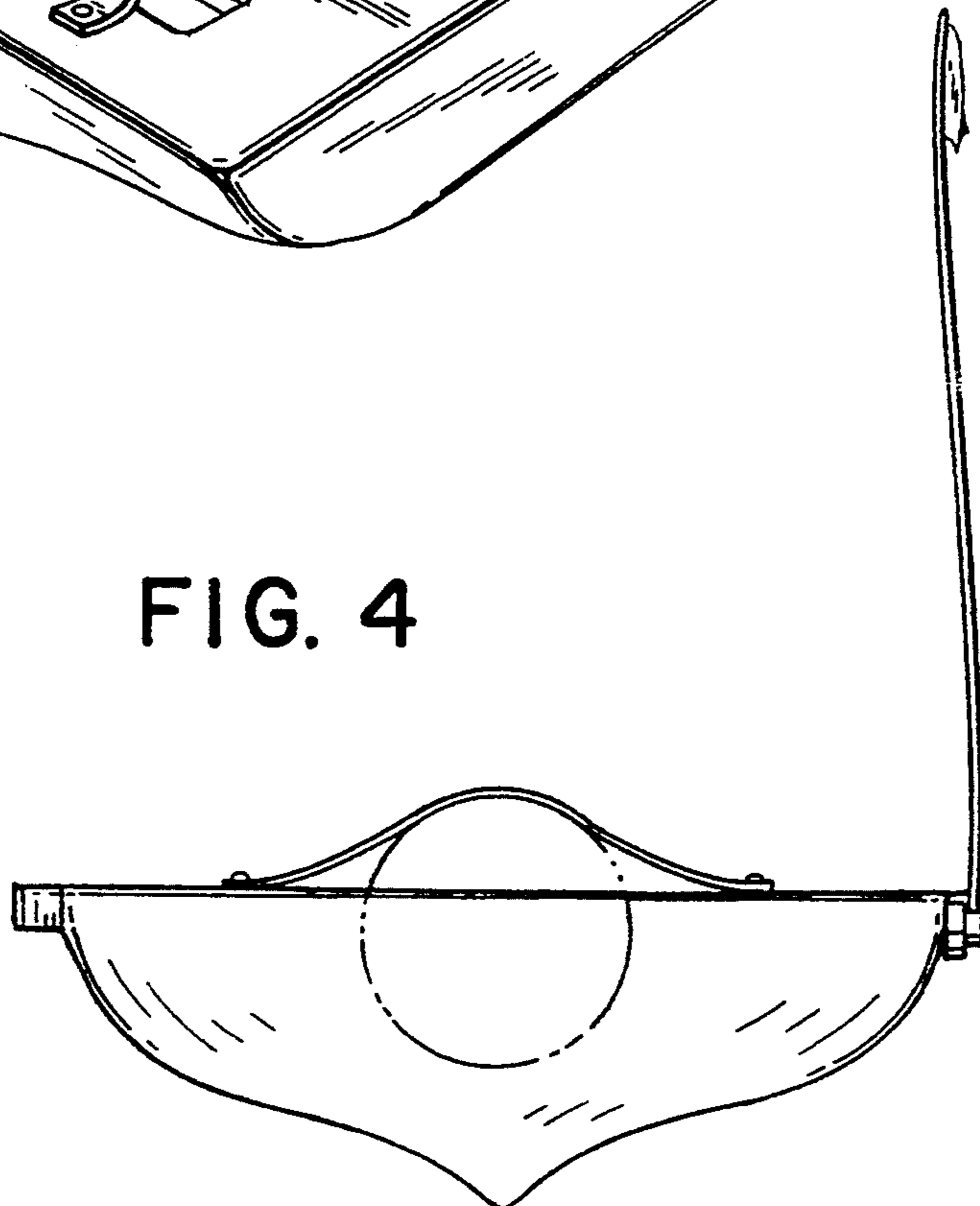


FIG. 3

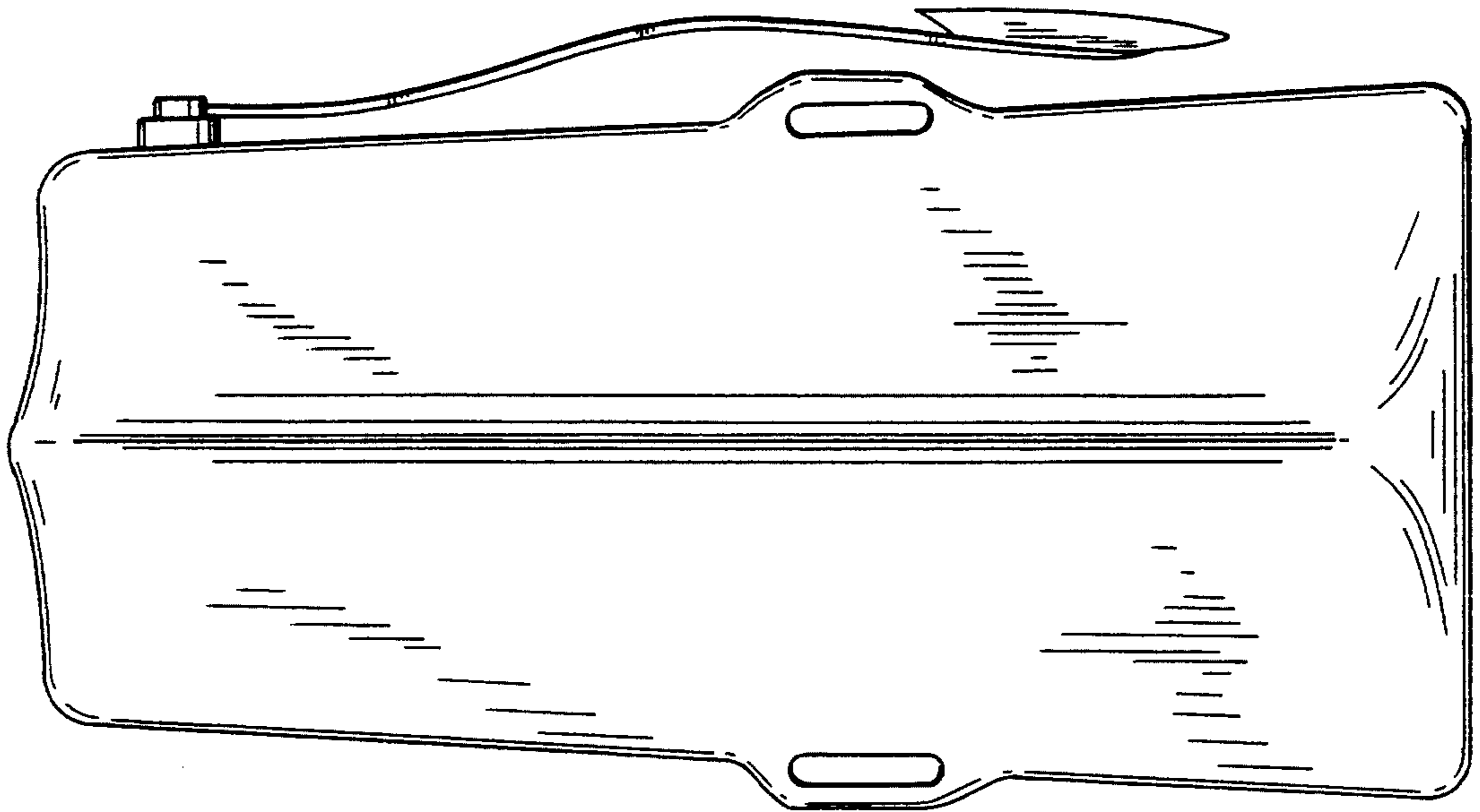


FIG. 2

