



US00D355455S

United States Patent [19]

[11] Patent Number: **Des. 355,455**

Stolte

[45] Date of Patent: **** Feb. 14, 1995**

[54] LENS INTRODUCER FORCEPS

[76] Inventor: **K. Broderick Stolte**, 701 Poinsetta Rd., Apt 328, Belleair, Fla. 34616

[**] Term: **14 Years**

[21] Appl. No.: **746,519**

[22] Filed: **Aug. 16, 1991**

[52] U.S. Cl. **D24/143; D28/55**

[58] Field of Search **D24/143; D28/55; 606/205, 206, 207, 208, 213, 215, 218, 227, 107, 148, 162, 174**

[56] References Cited

U.S. PATENT DOCUMENTS

D. 331,800	12/1992	Han	D24/143
4,693,246	9/1987	Reimels	606/148
4,793,349	12/1988	Weinrib	606/148
4,938,214	7/1990	Specht et al.	606/206 X
5,007,913	4/1991	Dulebohn et al.	606/107
5,100,410	3/1992	Dulebohn	606/107

OTHER PUBLICATIONS

Sklar Products Surgical Instruments "Heath" ©1982, Intestinal Forceps pp. 134, 245 publication/catalog. Codman Catalog "Surgical Products" Forceps, Catheter p. 113 ©1984 item A(30-1117) and B (30-1118).

Primary Examiner—A. Hugo Word

Assistant Examiner—I. Simmons

Attorney, Agent, or Firm—Herbert W. Larson; James E. Larson

[57] CLAIM

The ornamental design for a lens introducer forceps, as shown and described.

DESCRIPTION

FIG. 1 is a perspective view of a lens introducer forceps showing my new design;

FIG. 2 is a left side elevational view thereof;

FIG. 3 is a top plan view thereof;

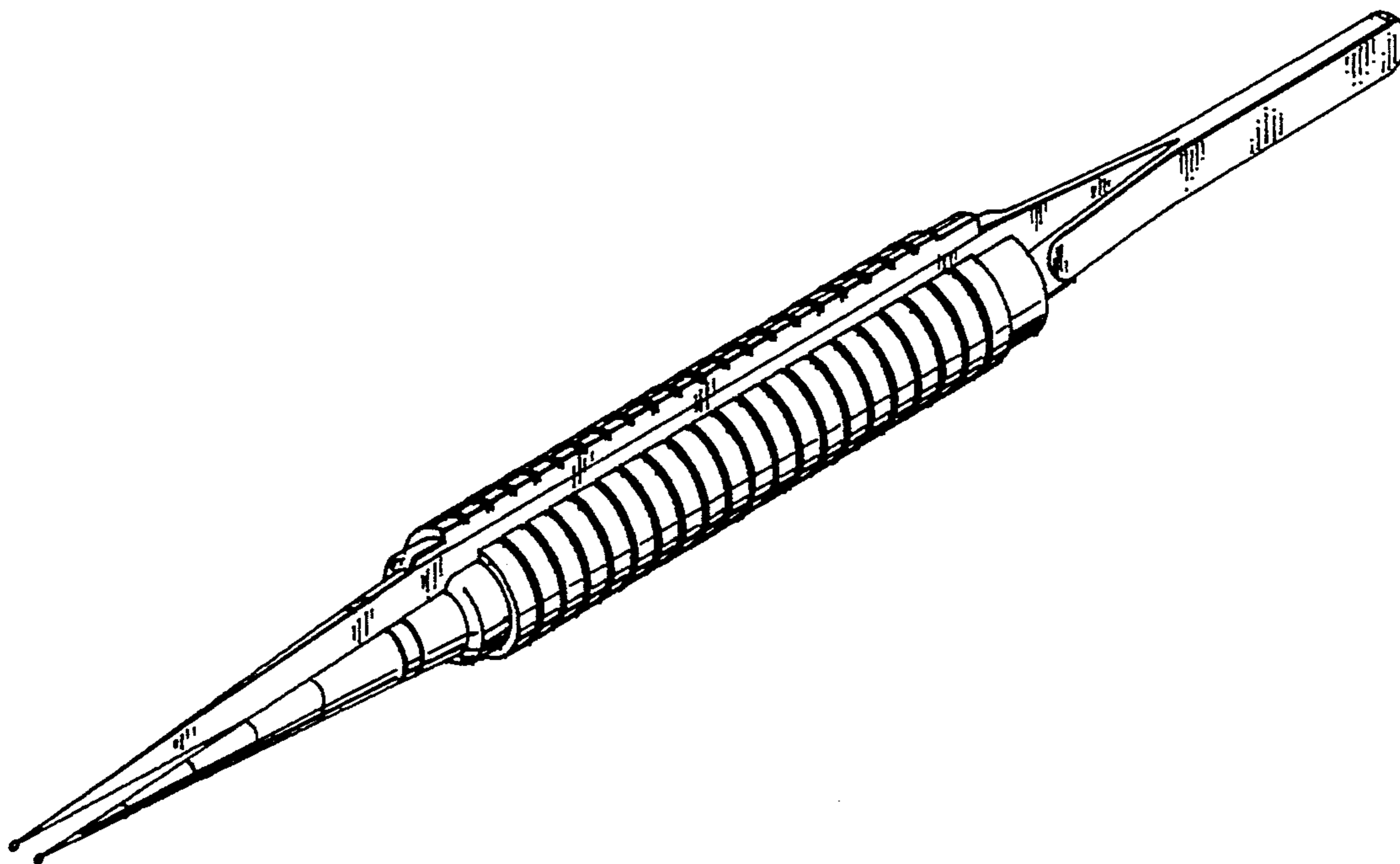
FIG. 4 is a bottom plan view thereof;

FIG. 5 is a right side elevational view thereof;

FIG. 6 is a rear elevational view thereof;

FIG. 7 is a front elevational view thereof; and,

FIG. 8 is an enlarged fragmentary view, of the forceps tips.



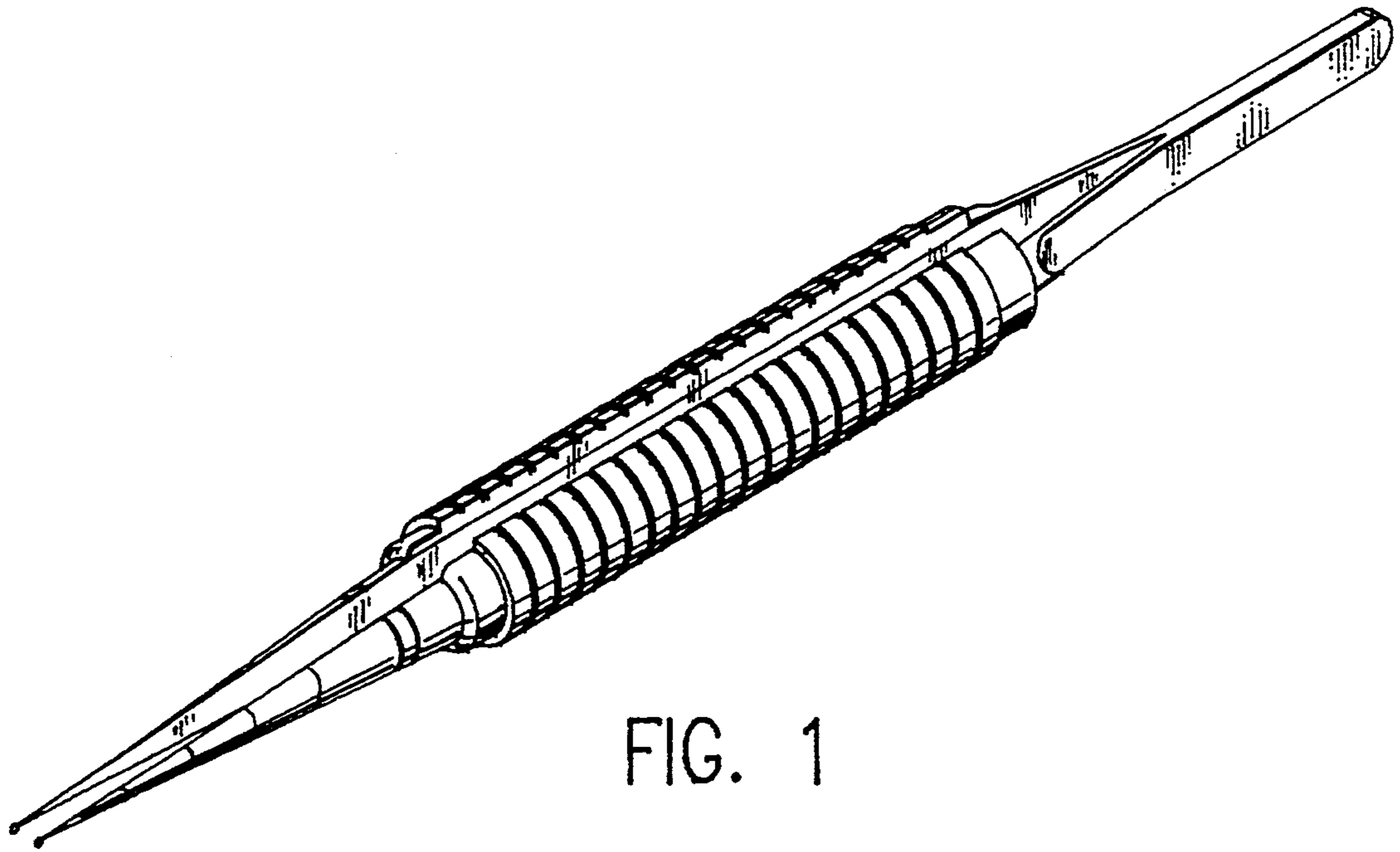


FIG. 1



FIG. 2



FIG. 3

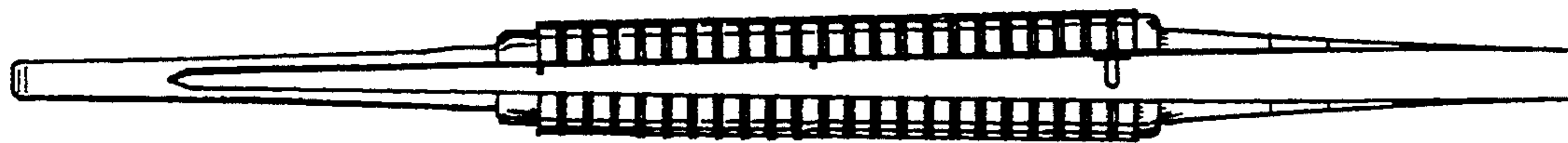


FIG. 4



FIG. 5



FIG. 6



FIG. 7

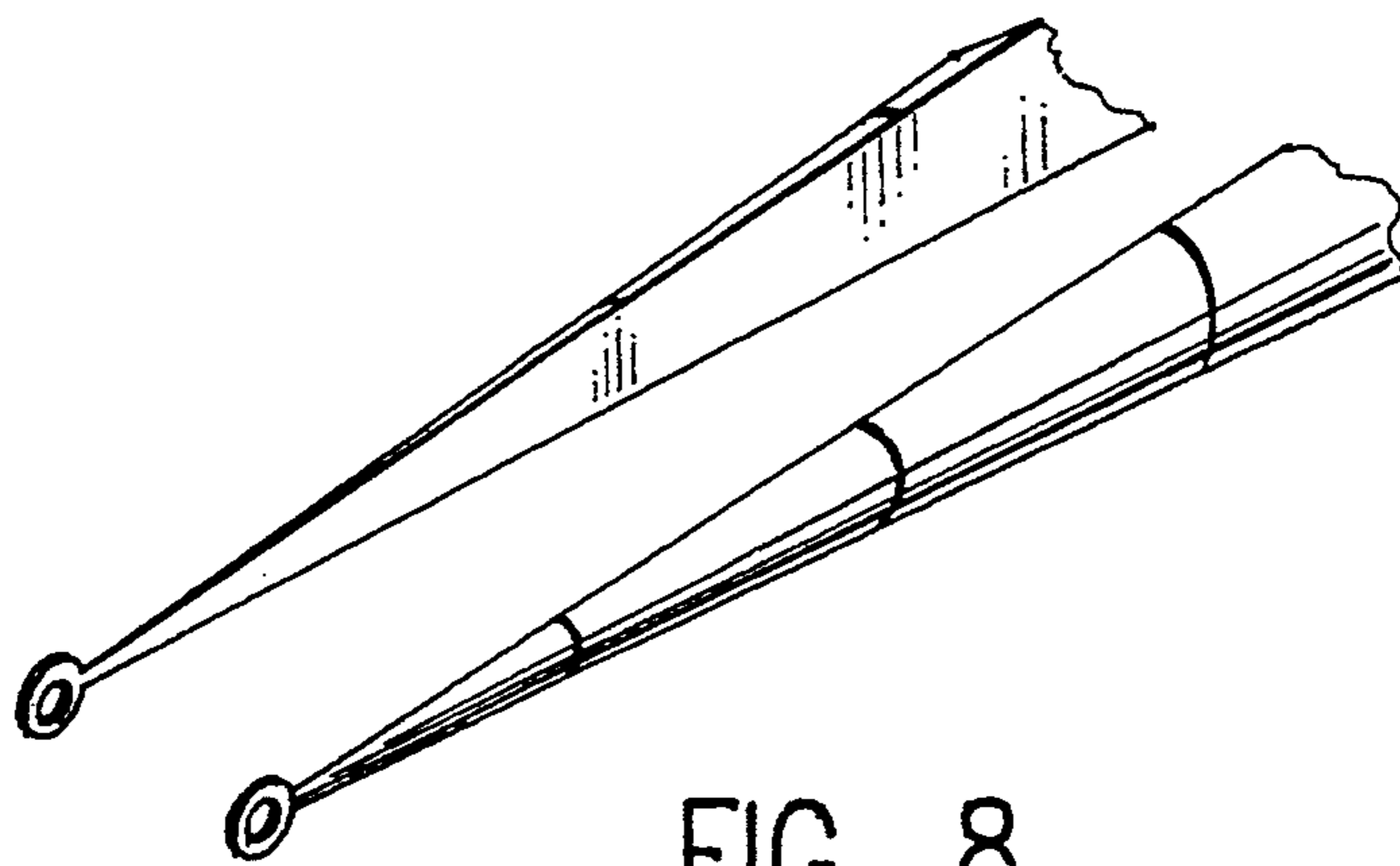


FIG. 8