



US00D355447S

# United States Patent [19] Crump

[11] Patent Number: **Des. 355,447**

[45] Date of Patent: **\*\* Feb. 14, 1995**

[54] **THREE DIMENSIONAL GAME**

5,085,440 2/1992 Van Dam ..... 273/241

[76] Inventor: **Robert F. Crump**, 952 S. Third St.,  
Louisville, Ky. 40203

[\*\*] Term: **14 Years**

[21] Appl. No.: **914,604**

[22] Filed: **Jul. 15, 1992**

[52] U.S. Cl. .... **D21/23; D21/20**

[58] Field of Search ..... **D21/14-36;**  
**273/236-285**

### OTHER PUBLICATIONS

Playthings, Dec. 1964 p. 72 Parker Brothers Tic-Tac-Toe game.

*Primary Examiner*—Bernard Ansher  
*Assistant Examiner*—Sandra Morris  
*Attorney, Agent, or Firm*—Scott R. Cox

### [57] CLAIM

The ornamental design for a three dimensional game, as shown and described.

### [56] References Cited

#### U.S. PATENT DOCUMENTS

D. 172,796	8/1954	Kay et al. ....	D21/23
D. 217,975	7/1970	Pruett .....	273/241
D. 296,798	7/1988	Smith .....	D21/23
2,313,473	3/1943	Heacock et al. ....	273/241
3,695,614	10/1972	Brisson .....	273/241
3,806,124	4/1974	Ippen et al. ....	273/241
5,083,791	1/1992	Coombes, Jr. ....	273/237

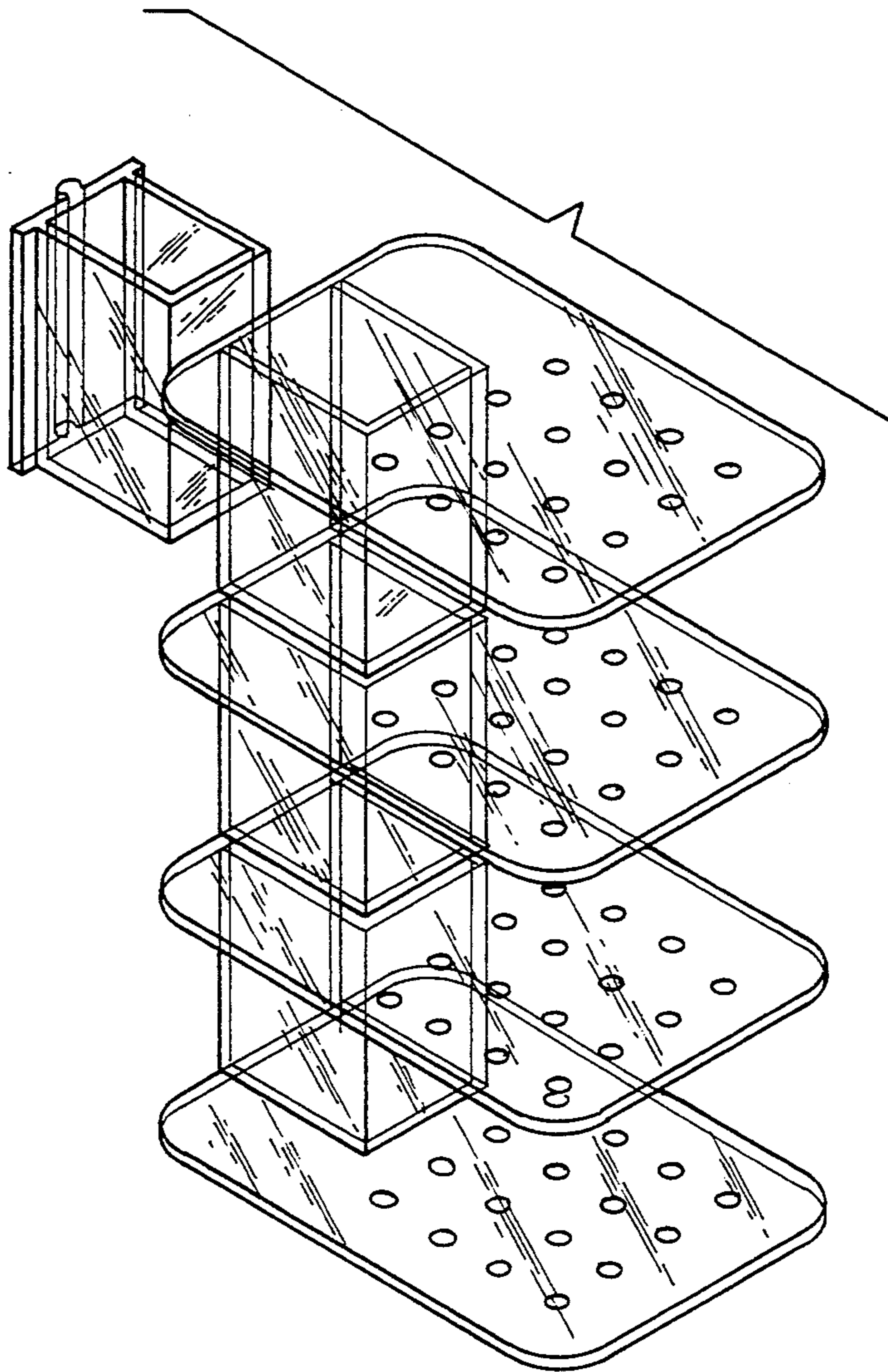
### DESCRIPTION

FIG. 1 is a perspective view of a three dimensional game, showing my new design, shown broken away for illustration;

FIG. 2 is a top plan view thereof, shown broken away for ease of illustration;

FIG. 3 is a front elevational view thereof; and,

FIG. 4 is a side elevational view thereof.



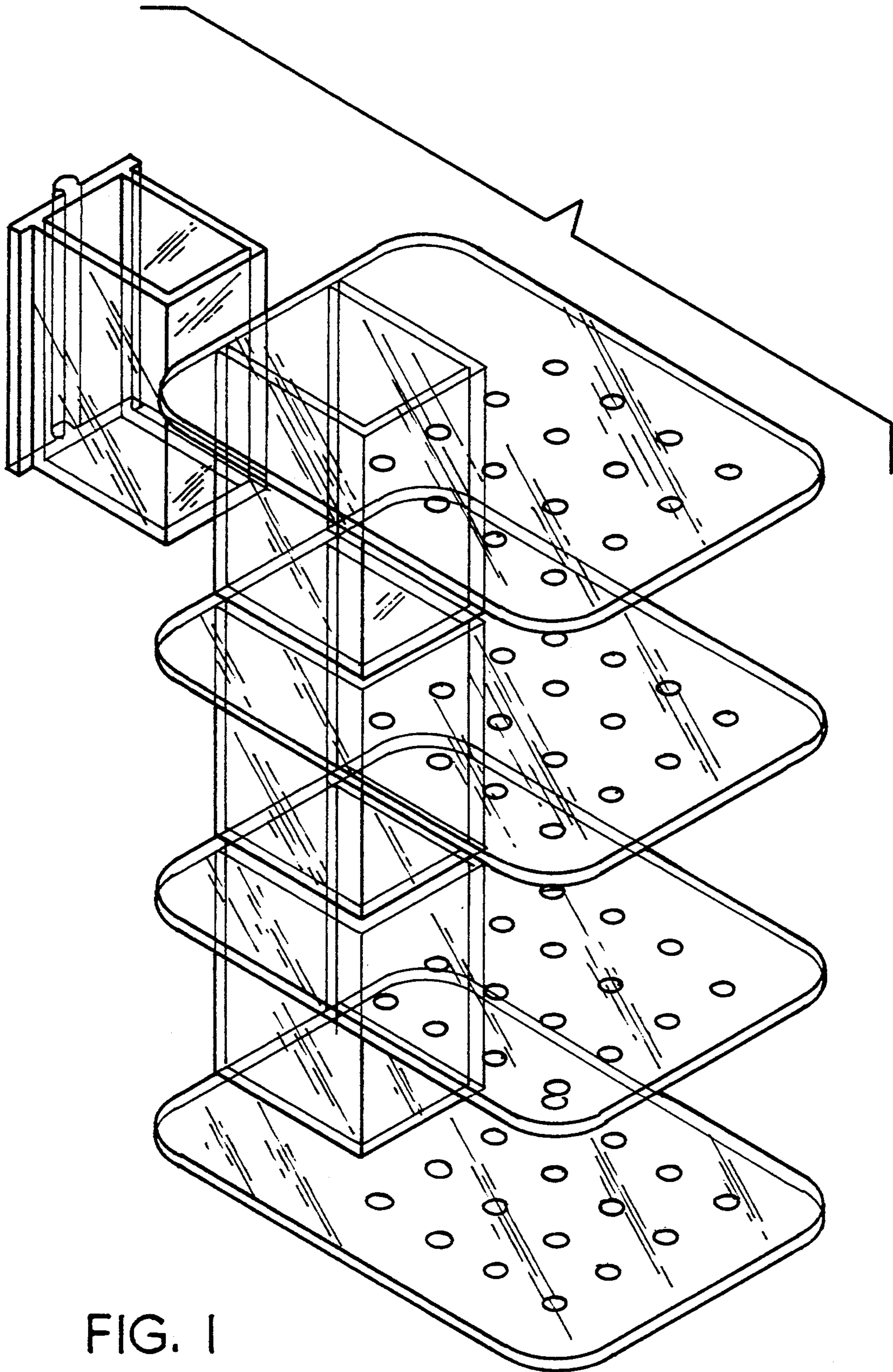


FIG. 1



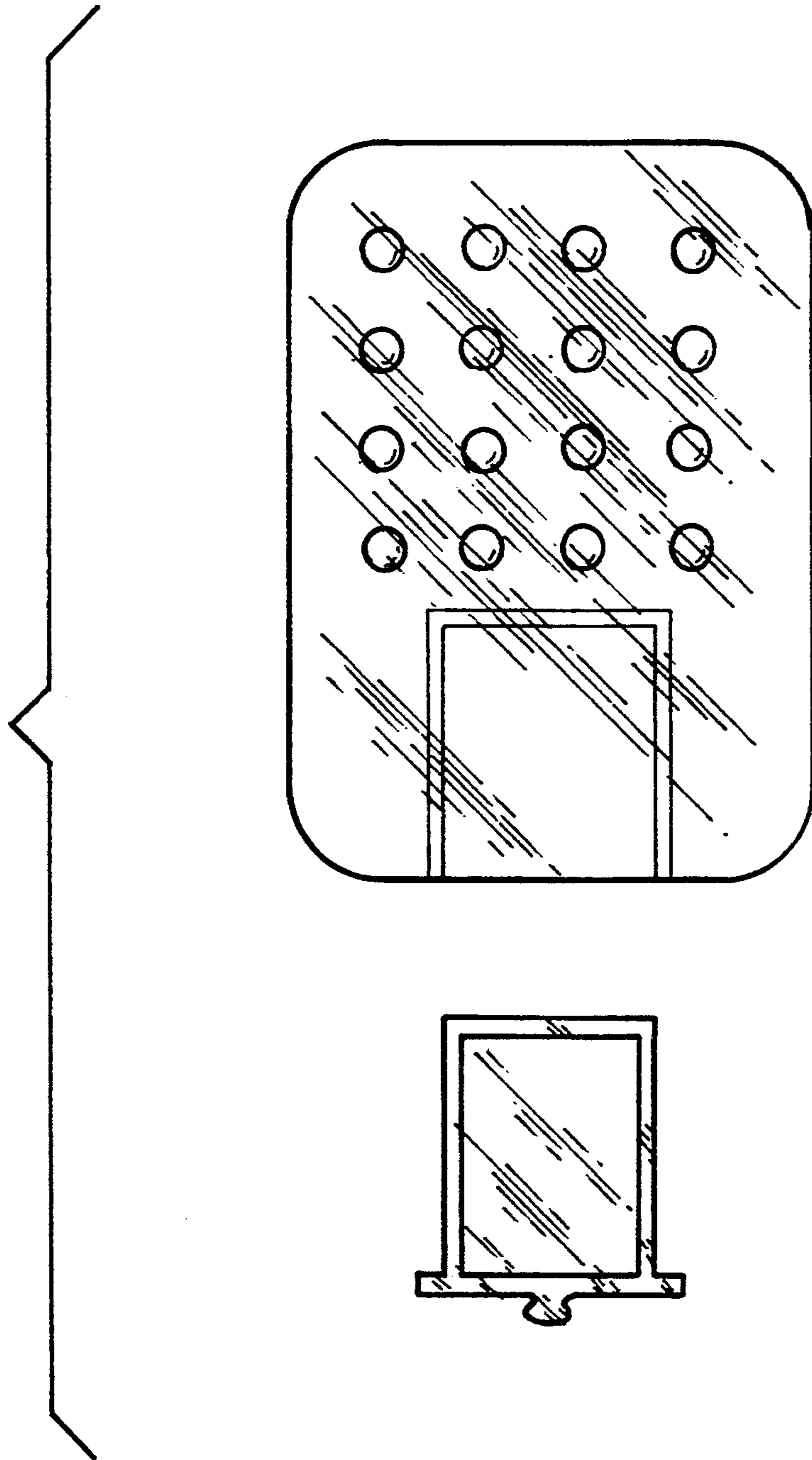


FIG. 2

FIG. 3

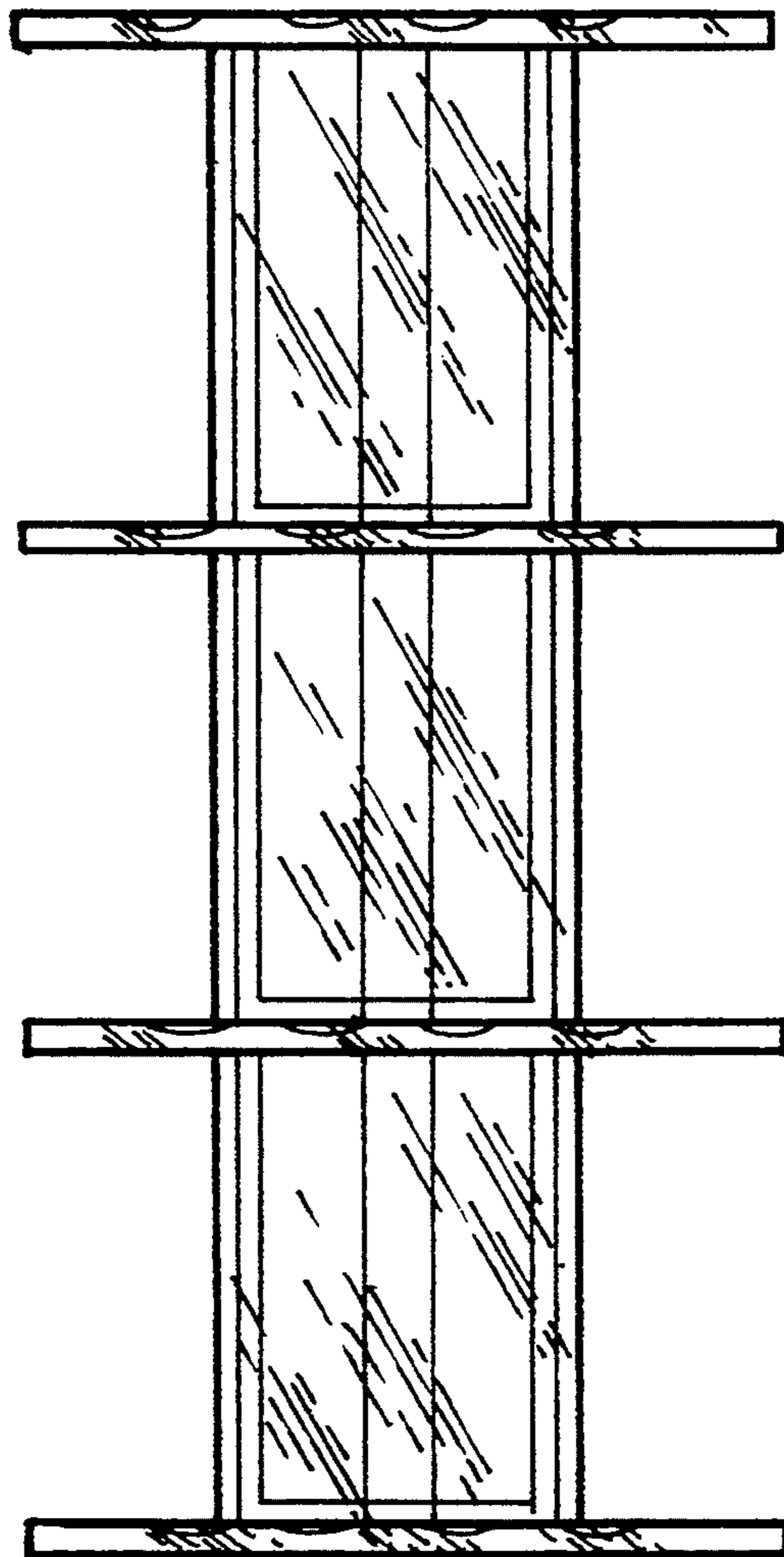


FIG. 4

