



US00D355446S

United States Patent [19] Sahler

[11] Patent Number: **Des. 355,446**
[45] Date of Patent: **** Feb. 14, 1995**

[54] **ELECTRONIC GAME HOUSING**
[75] Inventor: **John T. Sahler, Riverside, R.I.**
[73] Assignee: **Playskool, Inc., Pawtucket, R.I.**
[**] Term: **14 Years**
[21] Appl. No.: **13,921**
[22] Filed: **Sep. 24, 1993**
[52] U.S. Cl. **D21/13**
[58] Field of Search **D21/13, 48;
273/433-438, 148 B, DIG. 28**

5,213,327 5/1993 Kitaue 273/434 X

OTHER PUBLICATIONS

Playthings, Apr. 1981, p. 41.
Hong Kong Enterprise, Oct. 1990, p. 810.

Primary Examiner—Prabhakar G. Deshmukh
Attorney, Agent, or Firm—Kurt R. Benson

[57] CLAIM

The ornamental design for a design for an electronic game housing, as shown and described.

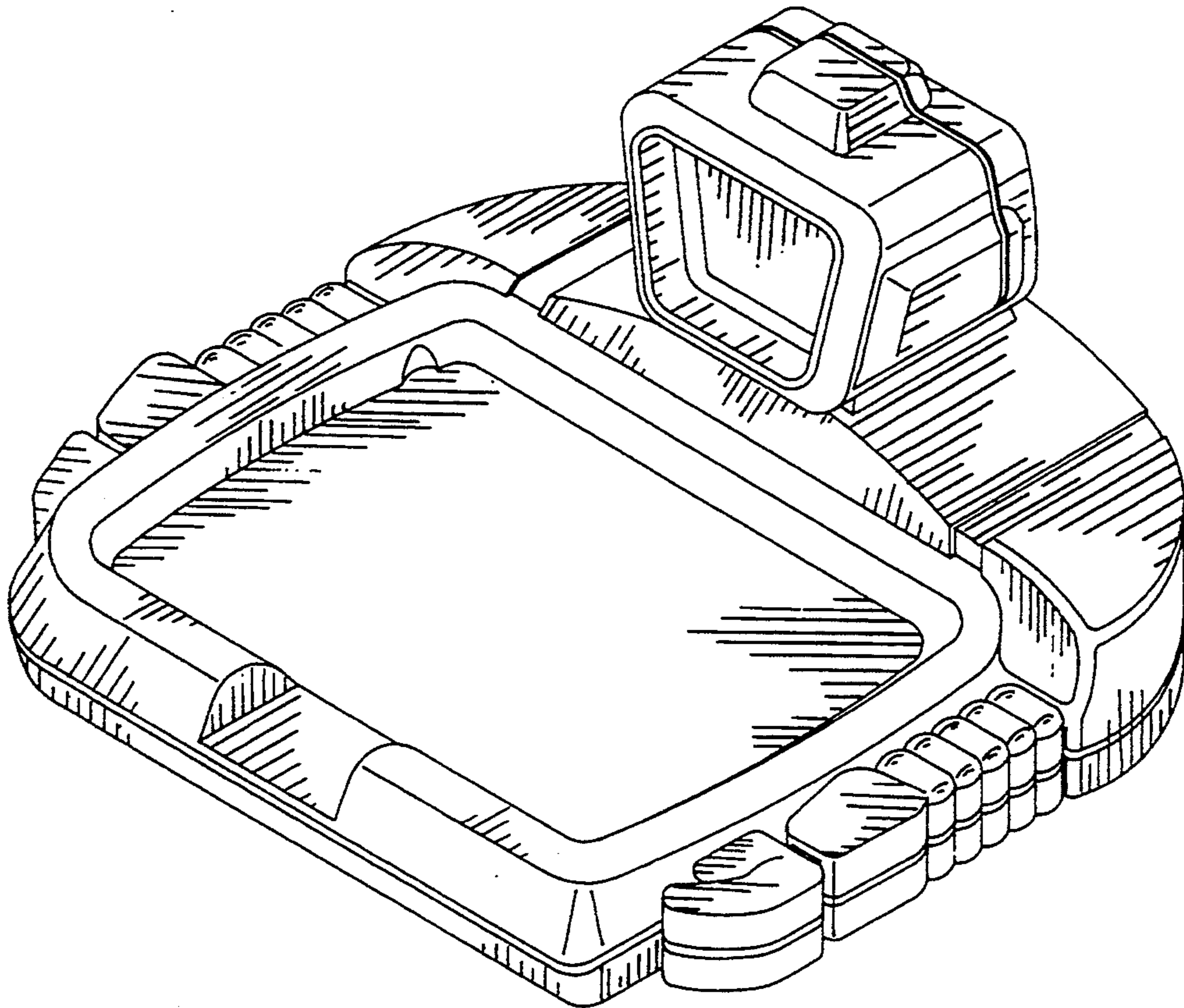
DESCRIPTION

FIG. 1 is a perspective view of a electronic game housing embodying my new design;
FIG. 2 is a top plan view thereof;
FIG. 3 is a bottom plan view thereof;
FIG. 4 is a front elevational view thereof;
FIG. 5 is a rear elevational view thereof;
FIG. 6 is a right side elevational view thereof; and,
FIG. 7 is a left side elevational view thereof.

[56] References Cited

U.S. PATENT DOCUMENTS

D. 275,113	8/1984	Wickstead	D21/13
D. 275,114	8/1984	Wickstead	D21/13
D. 280,834	10/1985	Yokoi	D21/13
D. 324,886	3/1992	Giles	D21/13
D. 334,414	3/1993	Kitaue	D21/13
4,492,582	1/1985	Chang et al.	273/435 X
4,536,164	8/1985	Klawitter	D21/13 X



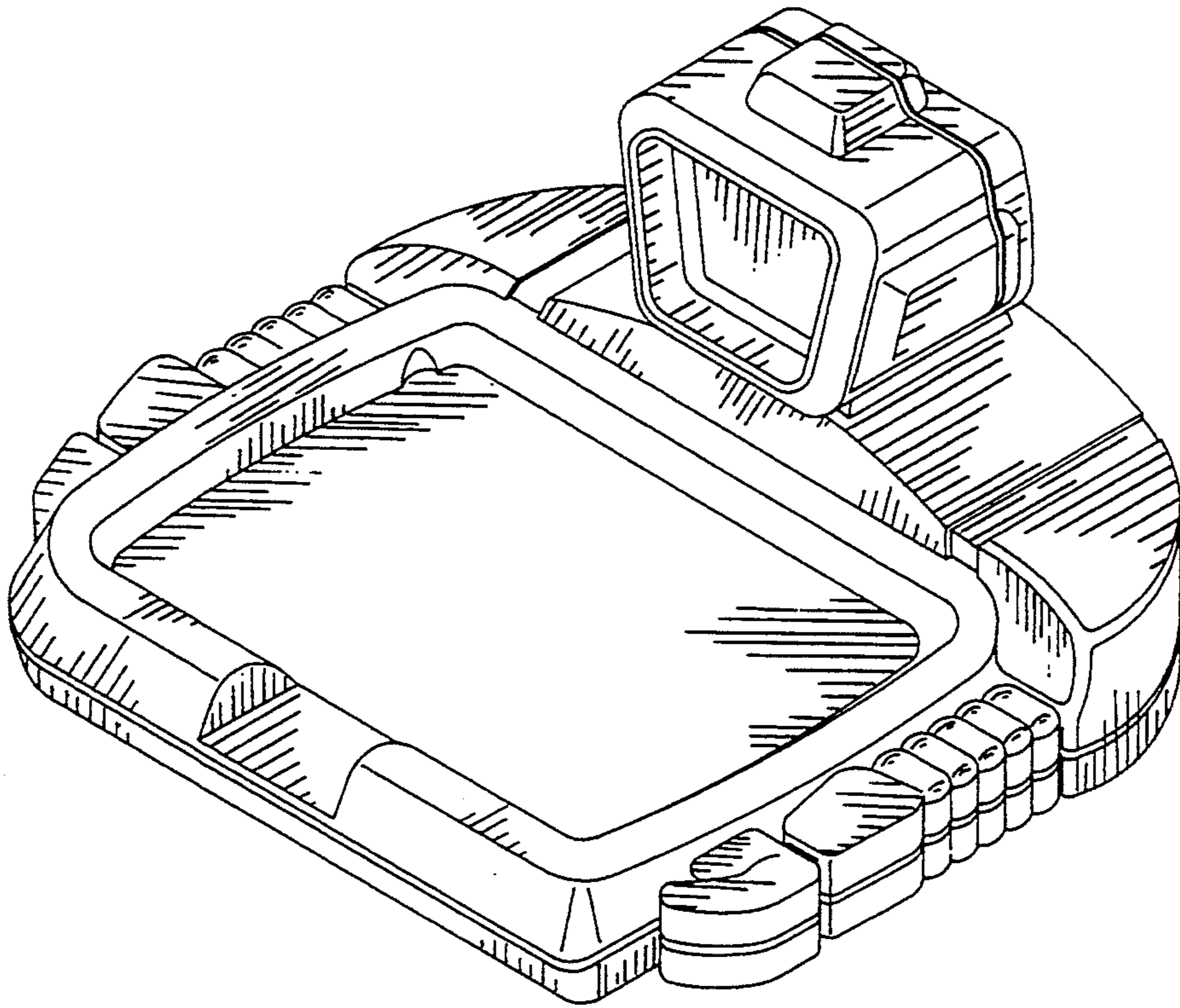


FIG. 1

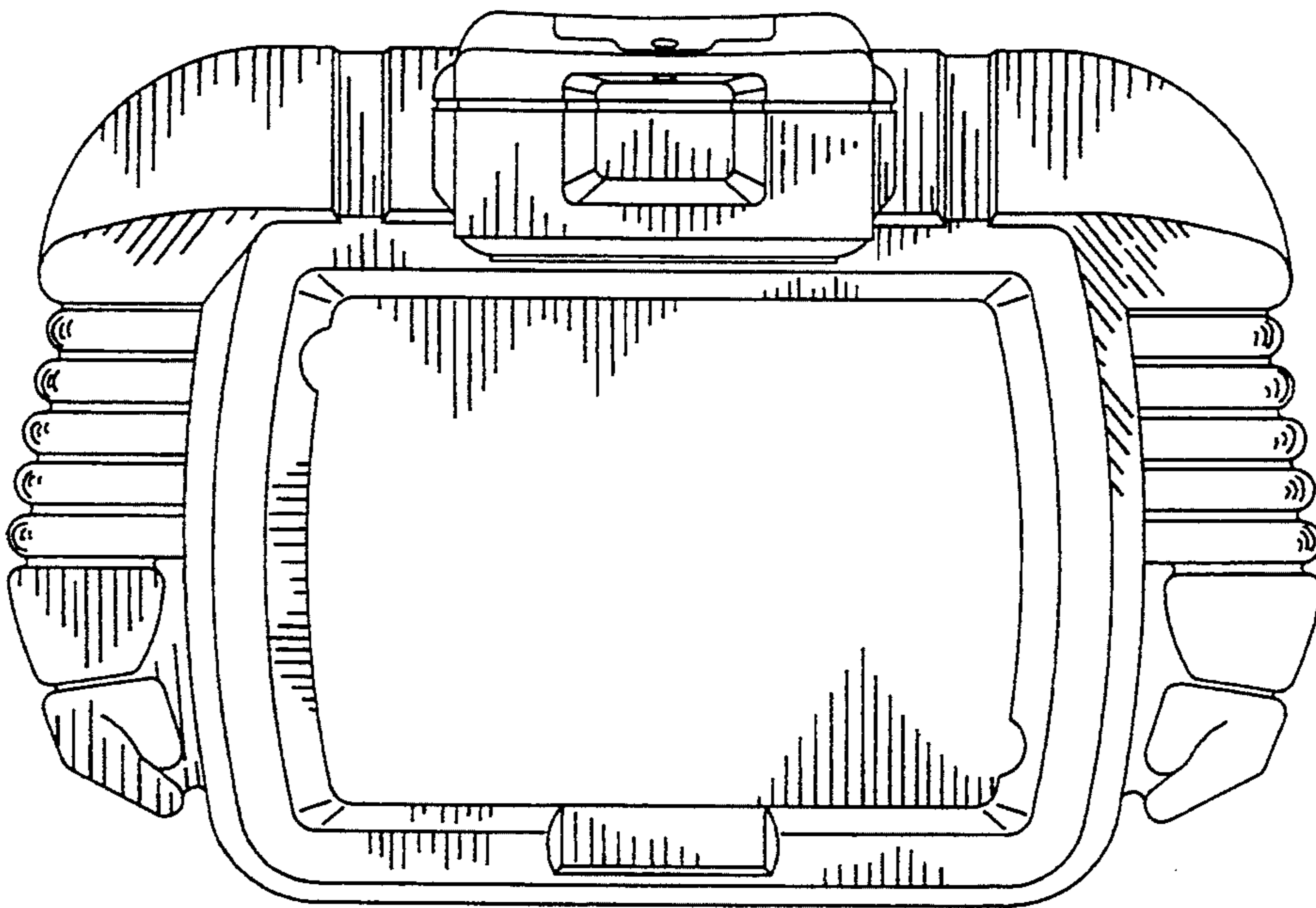


FIG. 2

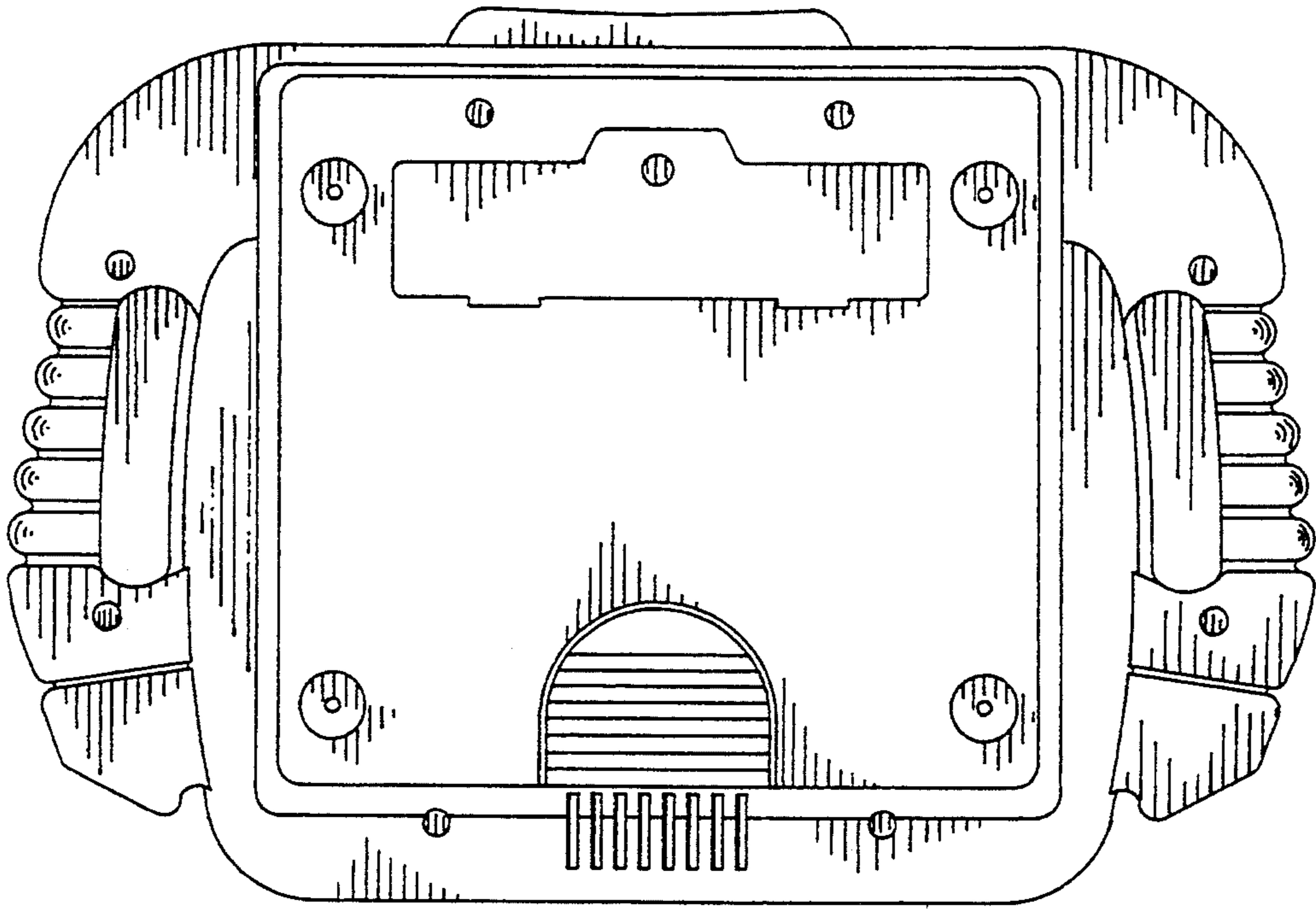


FIG. 3

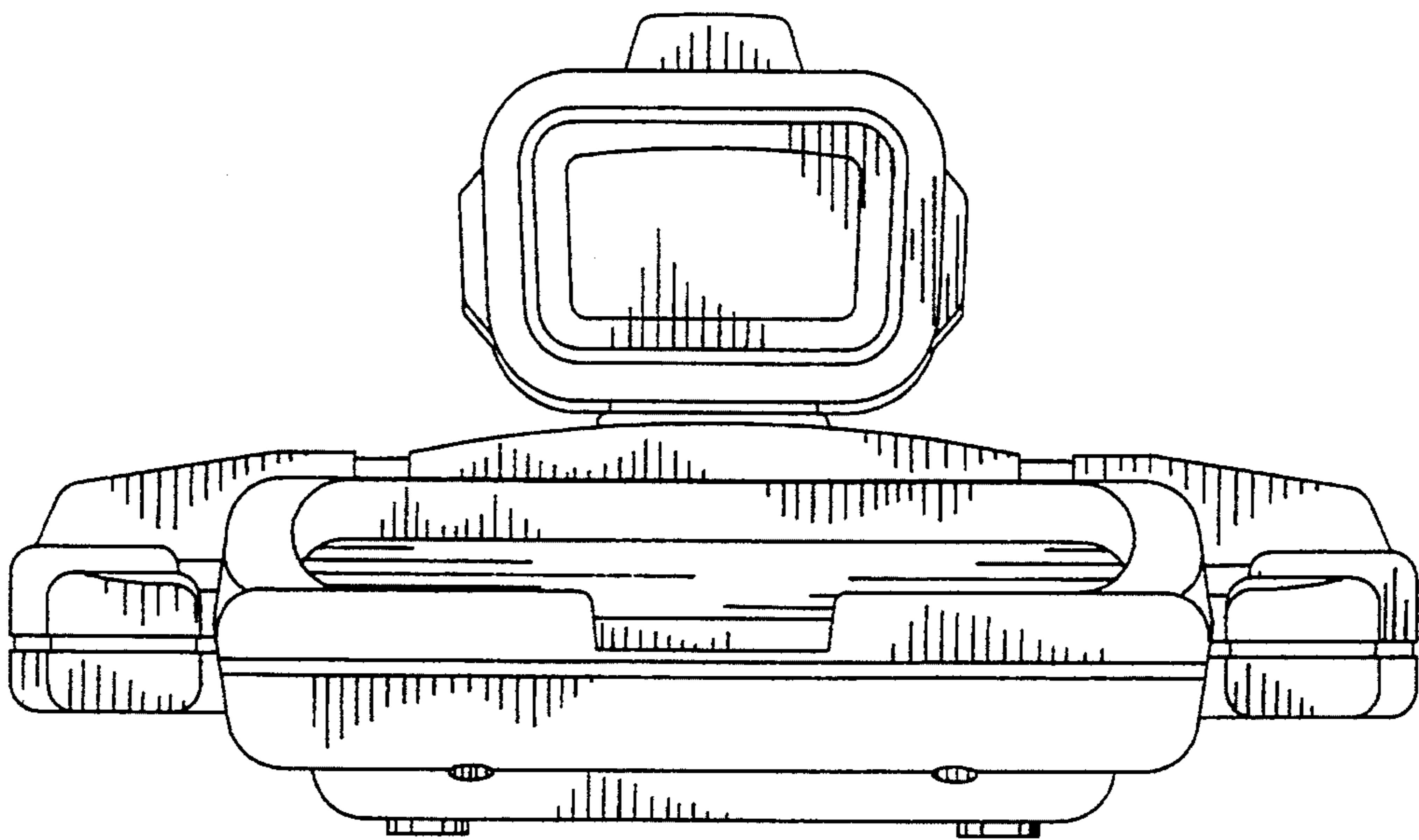


FIG. 4

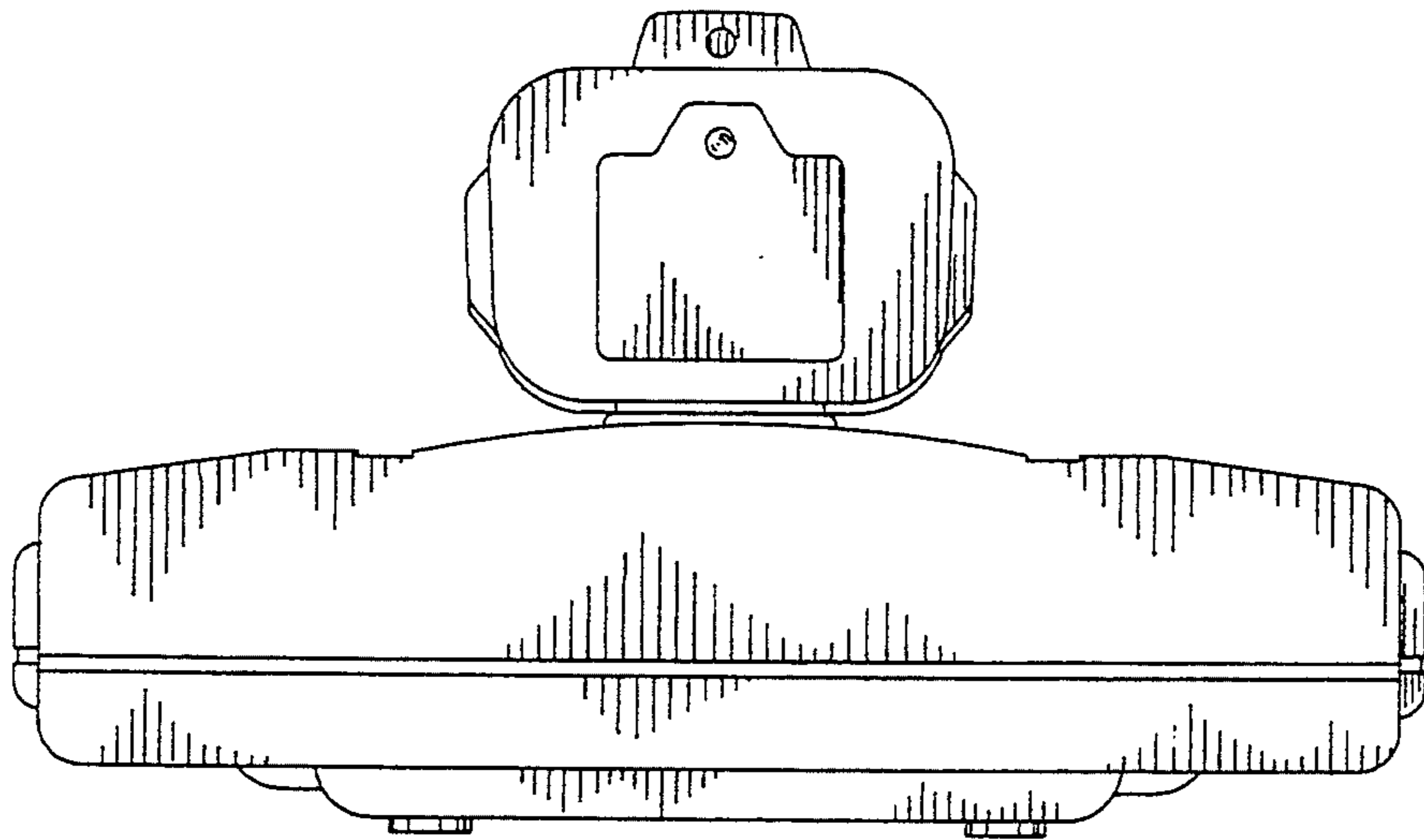


FIG. 5

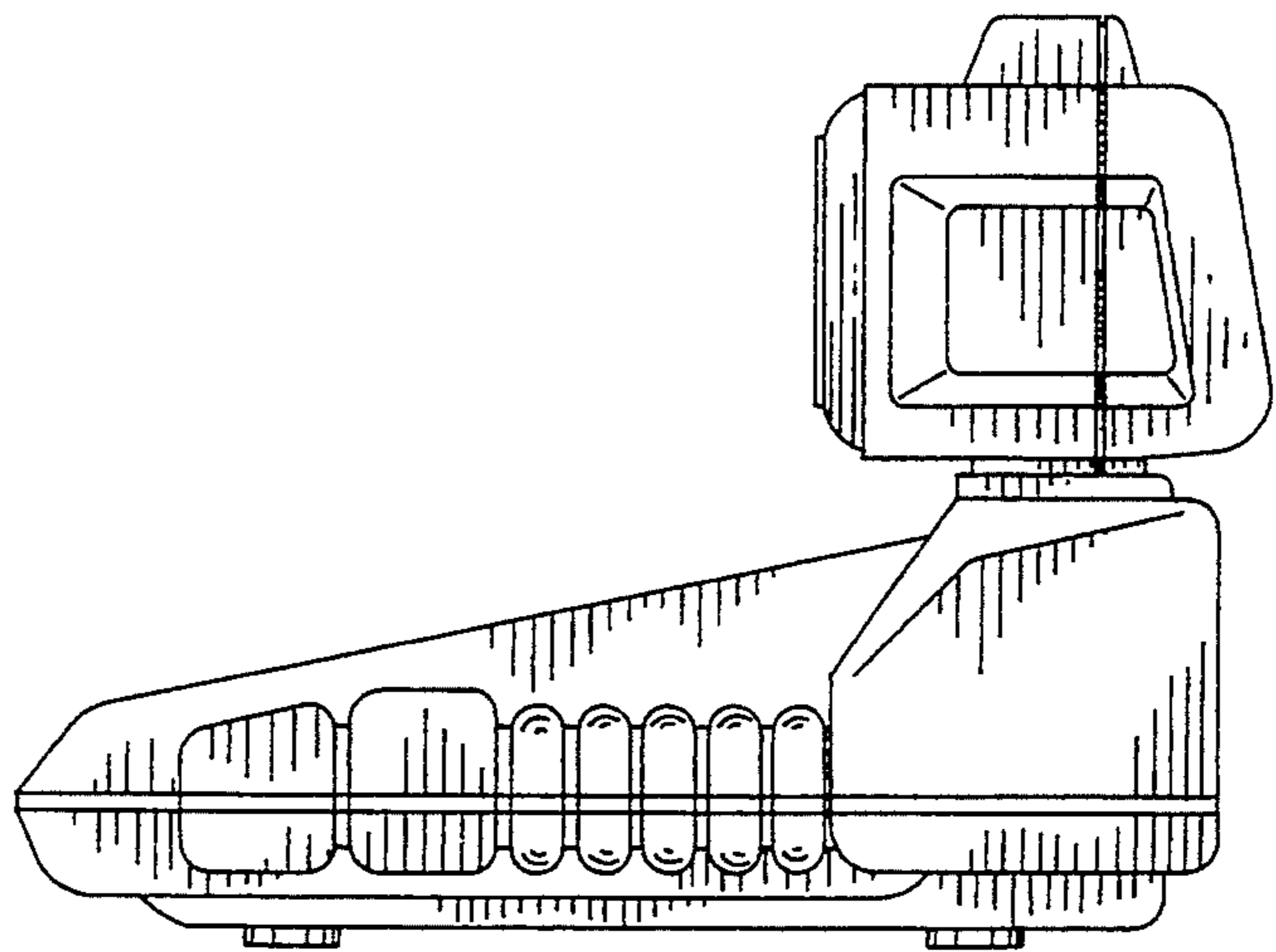


FIG. 6

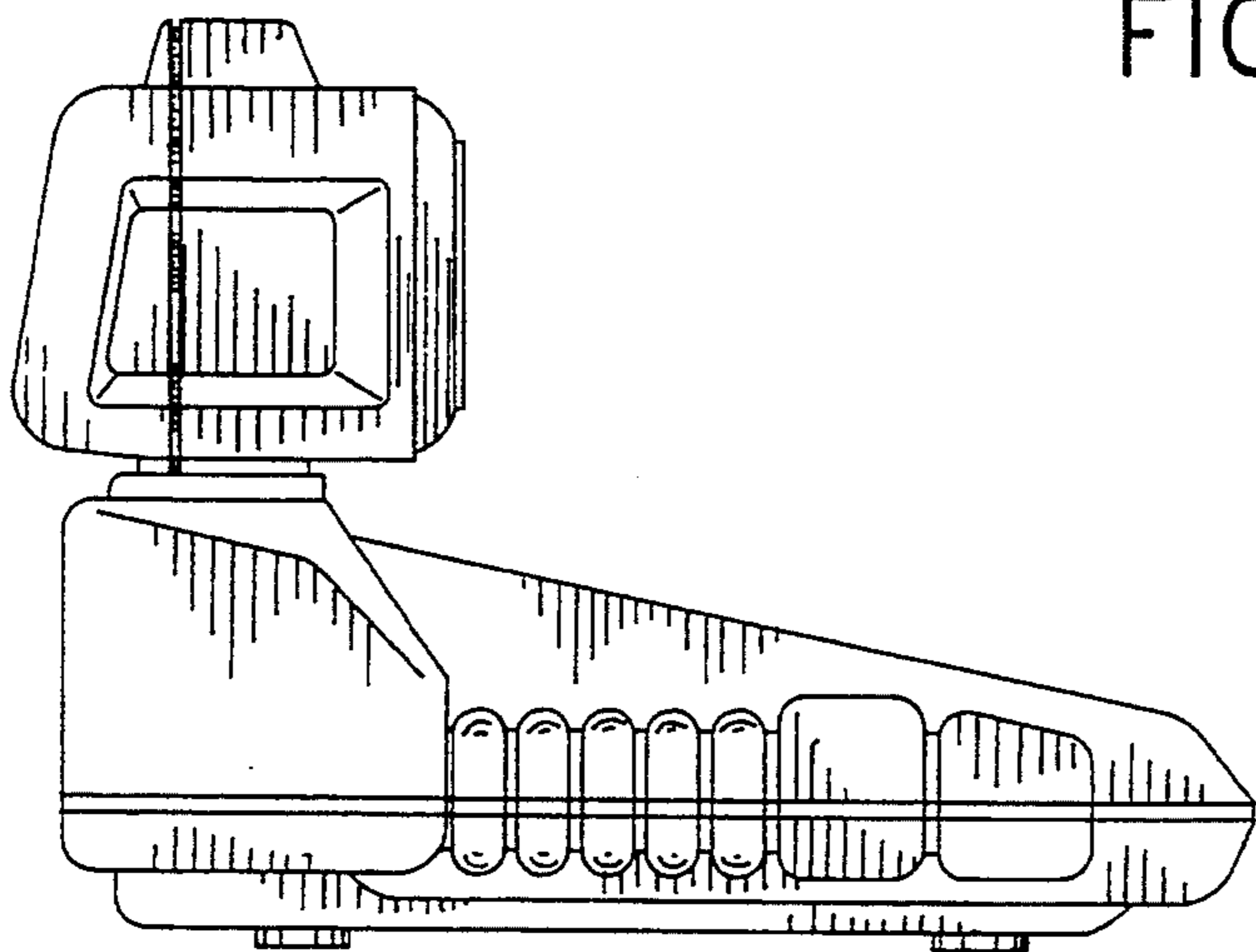


FIG. 7