



US00D355445S

# United States Patent [19]

[11] Patent Number: **Des. 355,445**

**Boyd**

[45] Date of Patent: **\*\* Feb. 14, 1995**

[54] **BALL PROJECTOR**

[75] Inventor: **Melvin L. Boyd**, Columbus, Miss.

[73] Assignee: **Lan-Cor, Inc.**, Brooksville, Miss.

[\*\*] Term: **14 Years**

[21] Appl. No.: **14,369**

[22] Filed: **Oct. 20, 1993**

[52] U.S. Cl. .... **D21/2**

[58] Field of Search ..... **D21/1, 2, 5, 90, 91;**  
**273/26 R, 26 D, 26 A, 29 A, 201, 181 R, 35 R;**  
**124/31, 81, 41.1**

4,955,606 9/1990 Leps .  
 5,042,802 8/1991 Depianta .  
 5,066,010 11/1991 Pingston .  
 5,087,039 2/1992 Laseke .  
 5,097,985 3/1992 Jones .  
 5,107,820 4/1992 Salansky .  
 5,133,330 7/1992 Sharp ..... 273/26 D X  
 5,265,583 11/1993 Otto ..... 273/26 D X  
 5,294,109 3/1994 Meade ..... 273/26 D

### FOREIGN PATENT DOCUMENTS

256134A 7/1984 France .  
 3339622 6/1984 Germany .

*Primary Examiner*—Prabhakar G. Deshmukh  
*Attorney, Agent, or Firm*—Sixbey, Friedman, Leedom & Ferguson

[56] **References Cited**  
**U.S. PATENT DOCUMENTS**

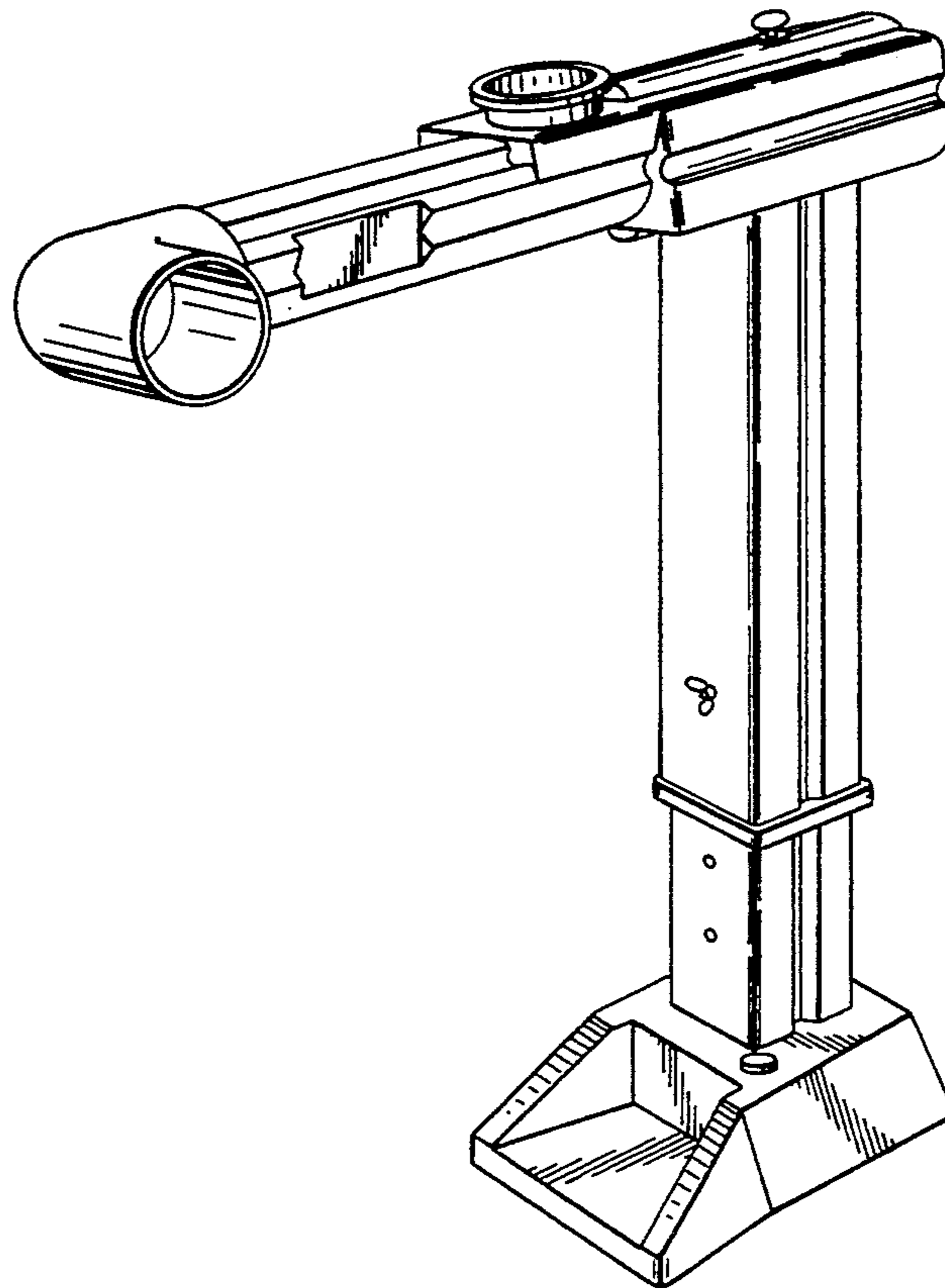
D. 344,765 3/1994 Miller, Jr. .... D21/5  
 2,955,823 10/1960 Chanko .  
 2,955,824 10/1960 Chanko .  
 3,677,544 7/1972 Meyers et al. .  
 3,838,676 10/1974 Kahelin .  
 3,999,753 12/1976 Desilets et al. .  
 4,021,036 5/1977 Nelson et al. .  
 4,021,037 5/1977 Torbet .  
 4,132,214 1/1979 Schnurr et al. .  
 4,538,810 9/1985 Brophy .  
 4,548,407 10/1985 Sato .  
 4,676,504 6/1987 Ponza .  
 4,830,372 5/1989 Outlaw et al. .  
 4,844,458 7/1989 Gatchel et al. .... 273/26 D X

[57] **CLAIM**

The ornamental design for a ball projector, as shown and described.

### DESCRIPTION

FIG. 1 is a perspective view of a ball projector showing my new design;  
 FIG. 2 is a front elevational view thereof;  
 FIG. 3 is a rear elevational view thereof;  
 FIG. 4 is a left side elevational view thereof;  
 FIG. 5 is a right side elevational view thereof;  
 FIG. 6 is a top plan view thereof; and,  
 FIG. 7 is a bottom plan view thereof.



*FIG. 1*

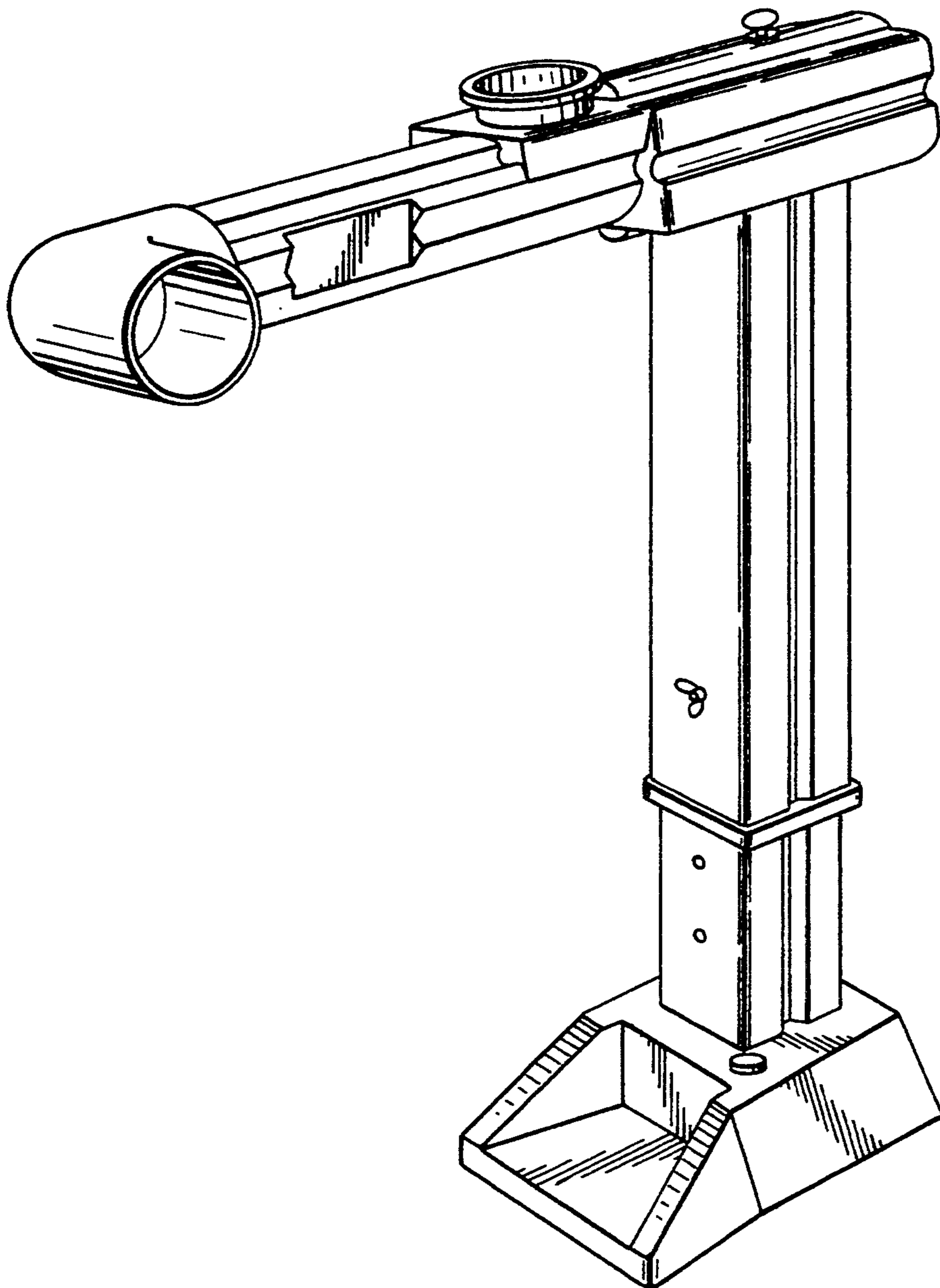


FIG. 3

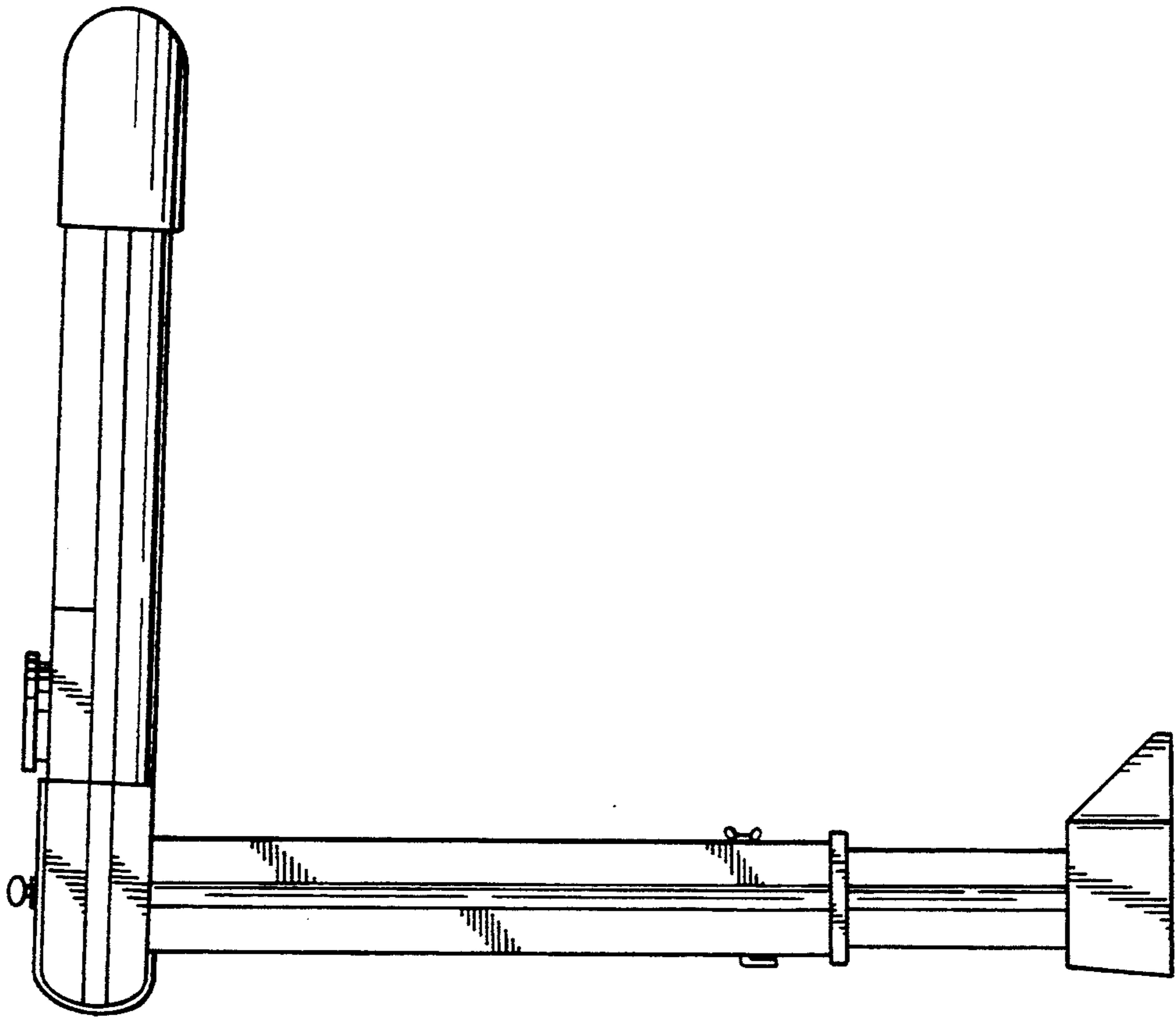
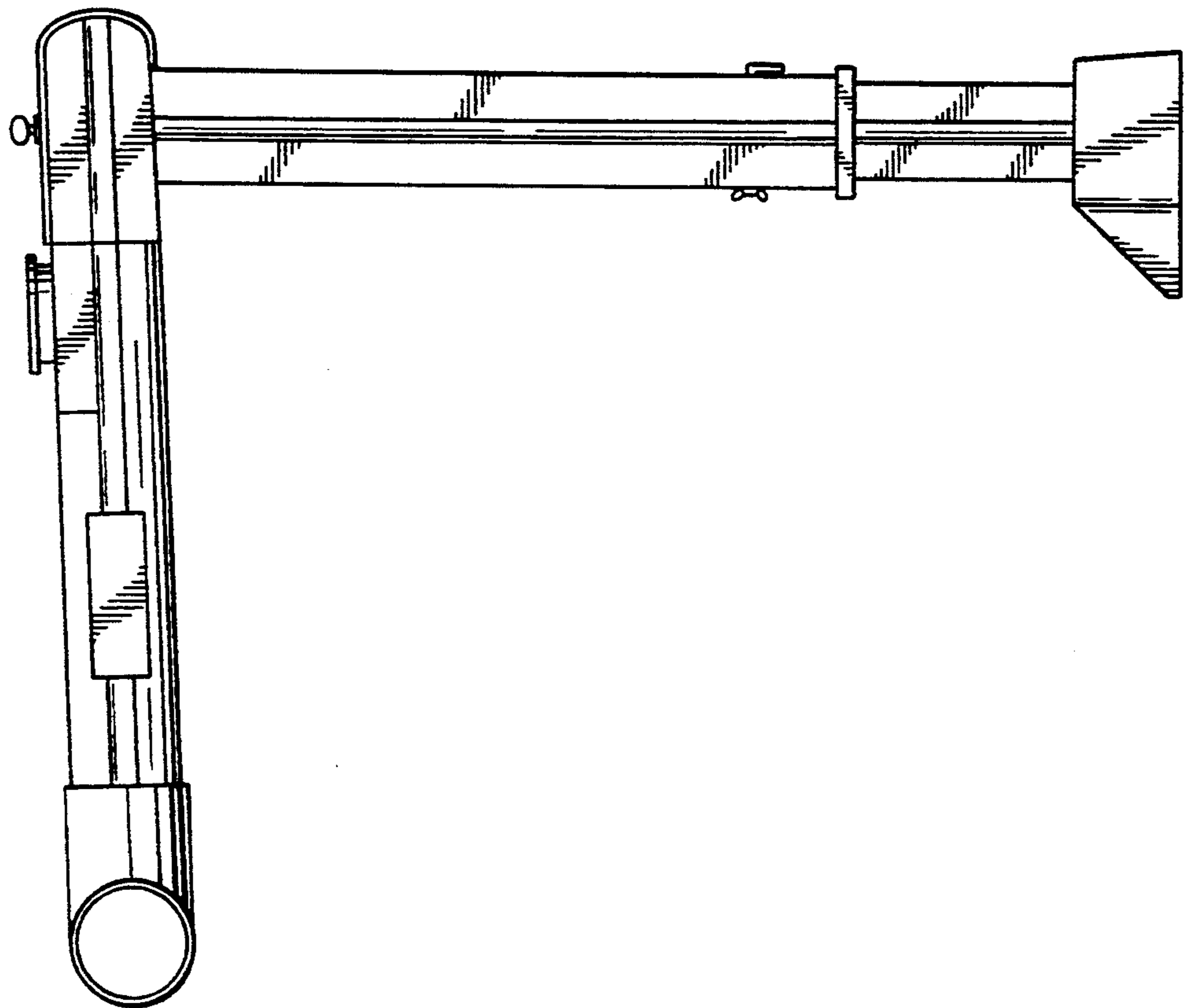
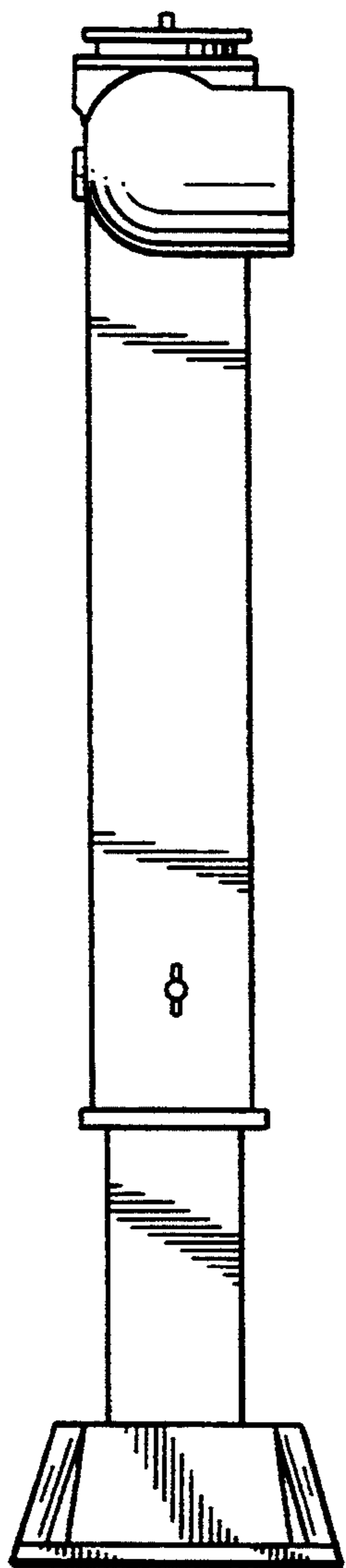


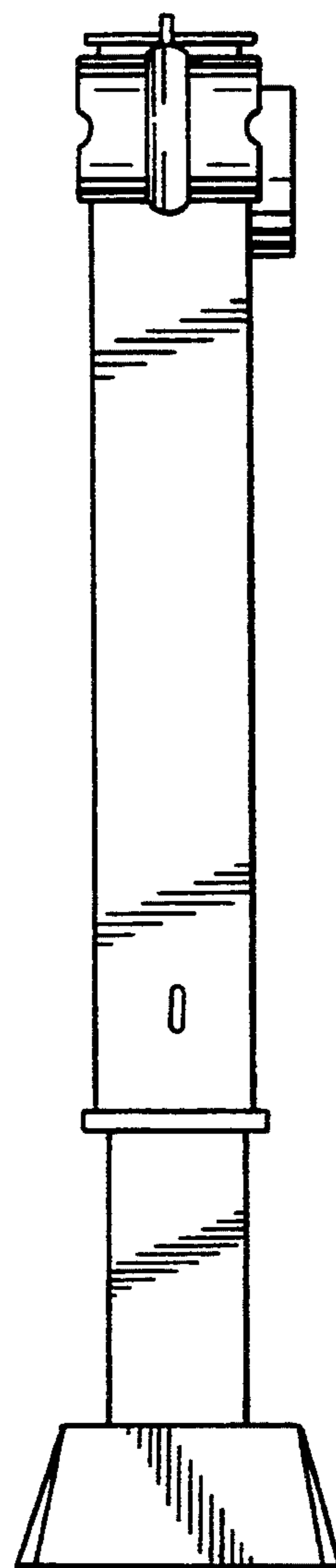
FIG. 2



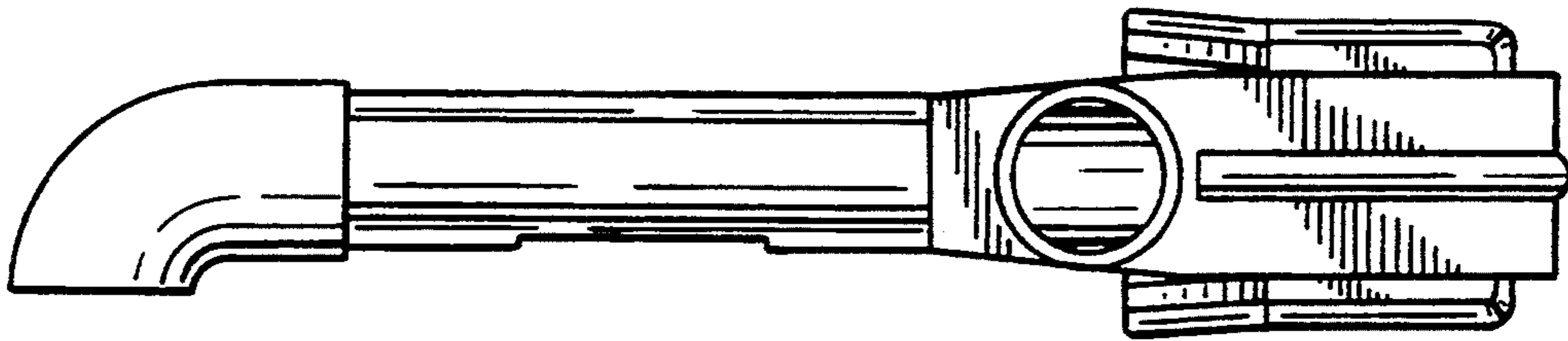
**FIG. 4**



**FIG. 5**



**FIG. 6**



**FIG. 7**

