



US00D355436S

# United States Patent [19]

[11] Patent Number: **Des. 355,436**

Suwa

[45] Date of Patent: **\*\* Feb. 14, 1995**

[54] **INK RIBBON CASSETTE**

[75] Inventor: **Kazumi Suwa**, Toyoake, Japan

[73] Assignee: **Brother Kogyo Kabushiki Kaisha**, Nagoya, Japan

[\*\*] Term: **14 Years**

[21] Appl. No.: **15,116**

[22] Filed: **Nov. 8, 1993**

[30] **Foreign Application Priority Data**

May 20, 1993 [JP] Japan ..... 5-14916

[52] U.S. Cl. .... **D18/12; D18/56**

[58] Field of Search ..... D18/12, 56, 99, 40; D14/121; 400/194-196.1, 207, 208, 208.1

[56] **References Cited**

### U.S. PATENT DOCUMENTS

- D. 314,005 1/1991 Okunomiya et al. .... D18/12
- D. 318,065 7/1991 Kamoda ..... D18/12
- D. 331,771 12/1992 Yoshihara ..... D18/12

- D. 334,021 3/1993 Nagai et al. .... D18/12
- D. 334,209 3/1993 Katsuno ..... D18/56
- D. 334,585 4/1993 Okauchi ..... D18/40
- 4,904,100 2/1990 Enix ..... D18/12 X
- 5,035,325 7/1991 Kitsuki ..... 400/208 X

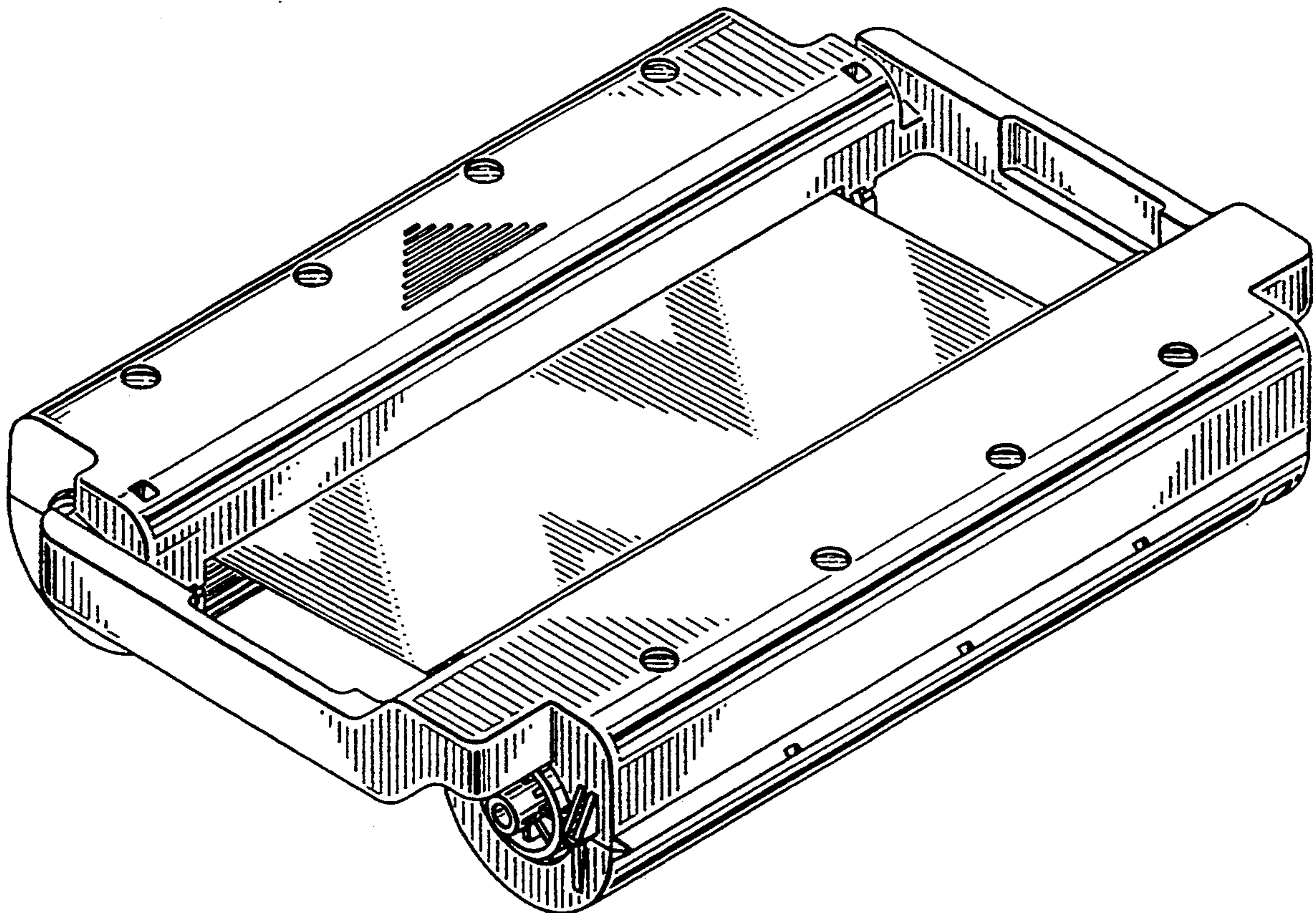
*Primary Examiner*—Alan P. Douglas  
*Assistant Examiner*—Caron D. Veynar  
*Attorney, Agent, or Firm*—Oliff & Berridge

### [57] CLAIM

The ornamental design for ink ribbon cassette, as shown and described.

### DESCRIPTION

FIG. 1 is a top plan view of an ink ribbon cassette, showing my new design;  
FIG. 2 is a front elevational view thereof;  
FIG. 3 is a rear elevational view thereof;  
FIG. 4 is a bottom plan view thereof;  
FIG. 5 is a left side elevational view thereof;  
FIG. 6 is a right side elevational view thereof; and,  
FIG. 7 is a perspective view thereof.



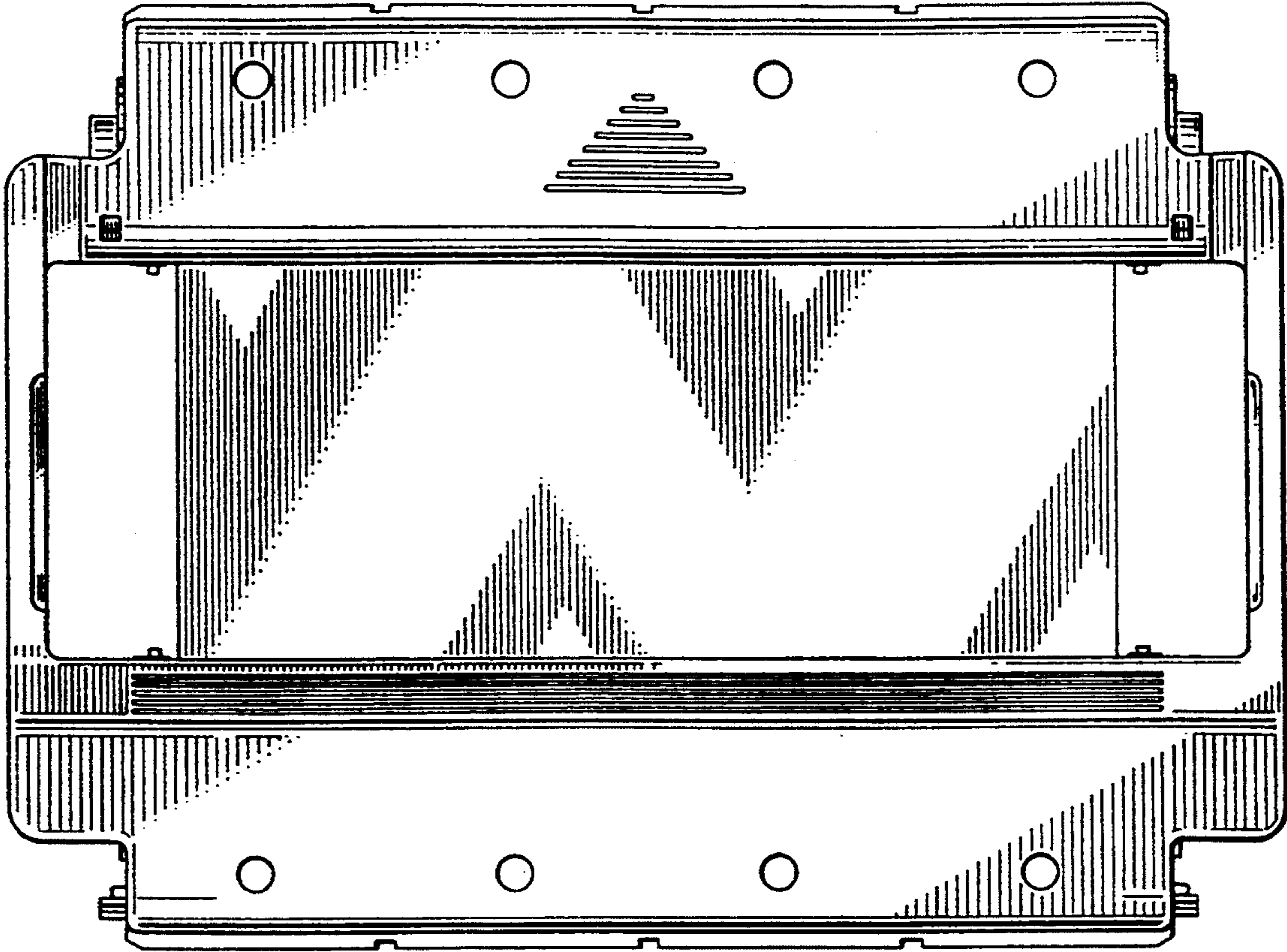


FIG. 1

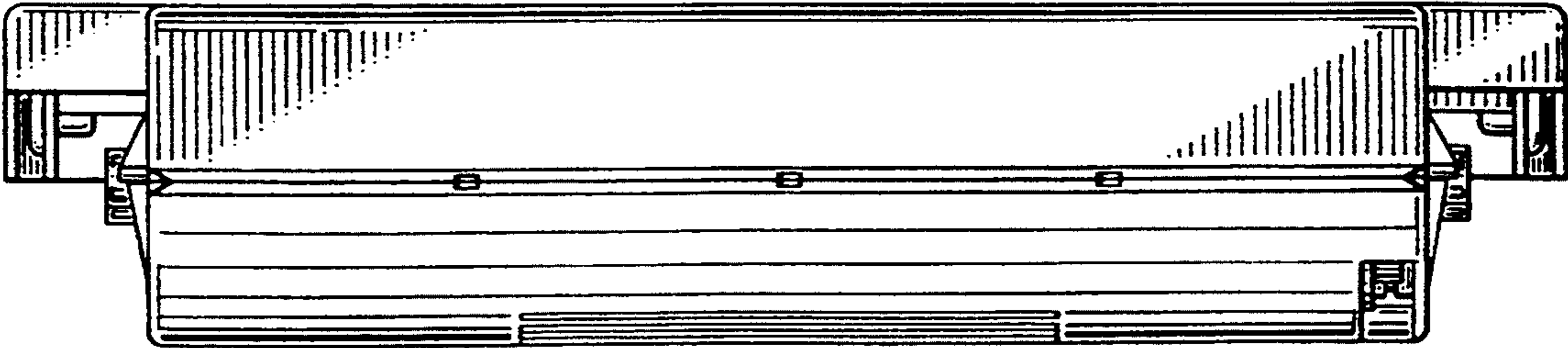


FIG. 2



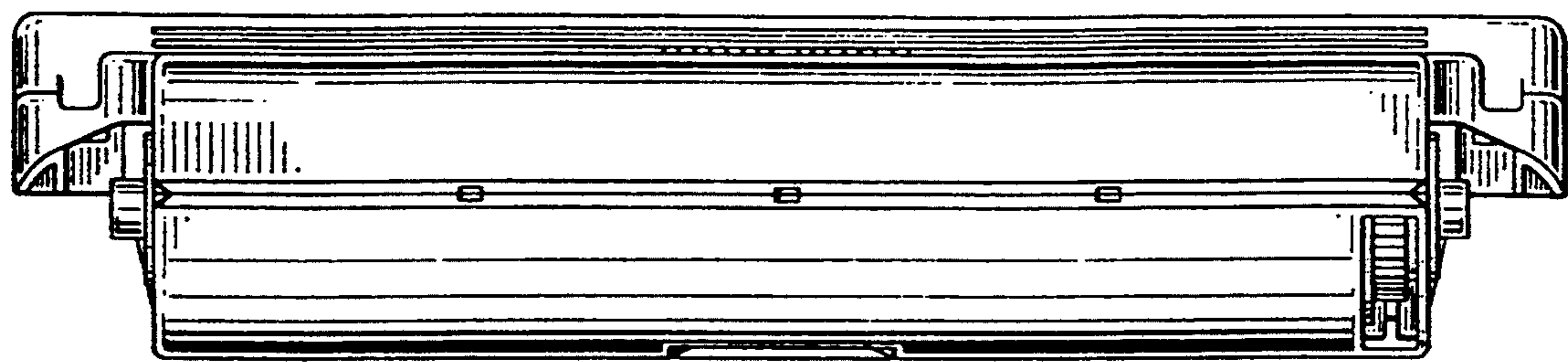


FIG. 3

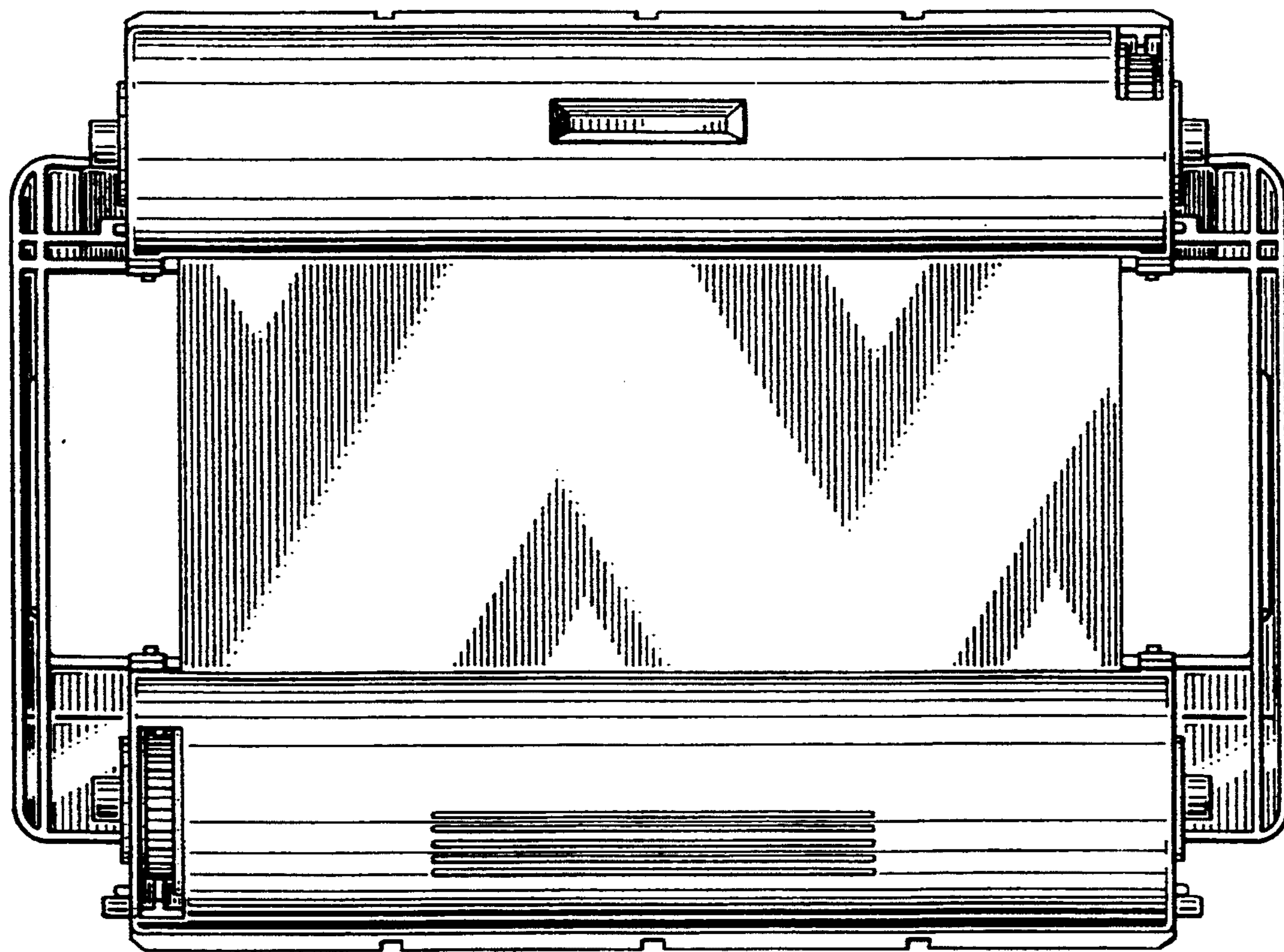


FIG. 4

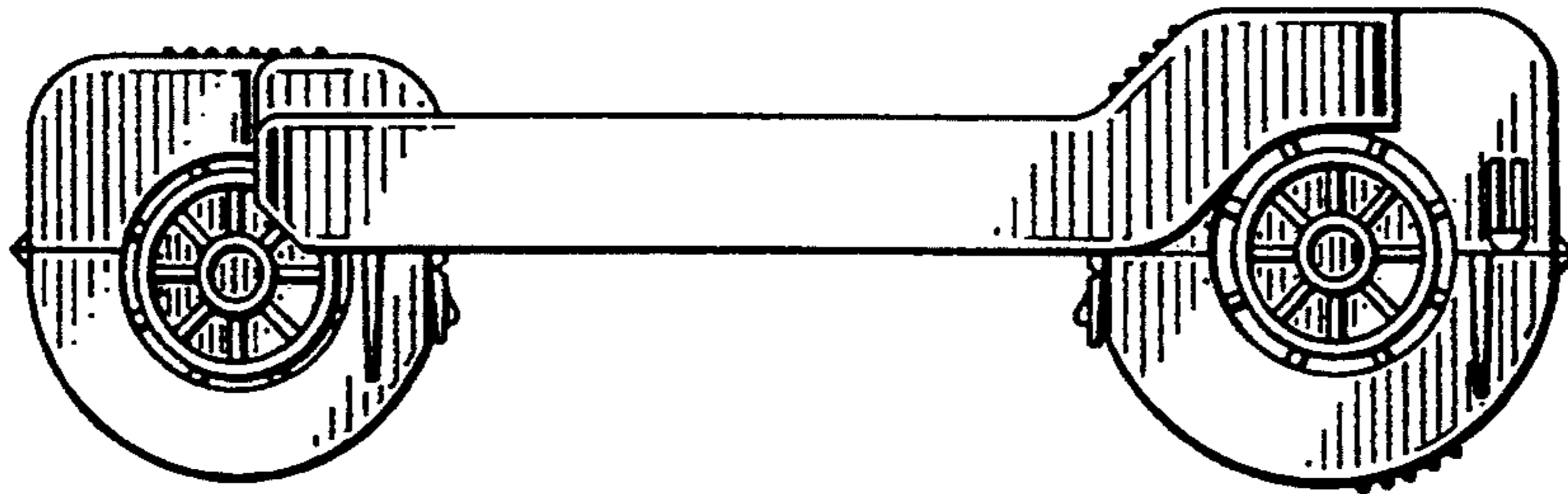


FIG. 5

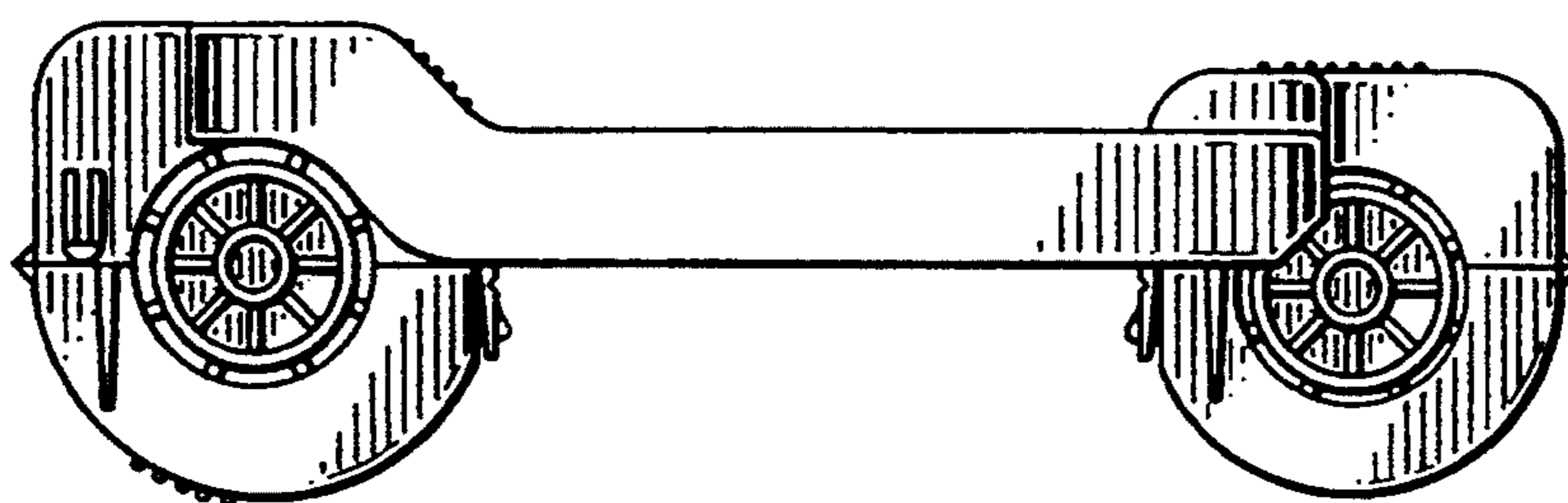


FIG. 6

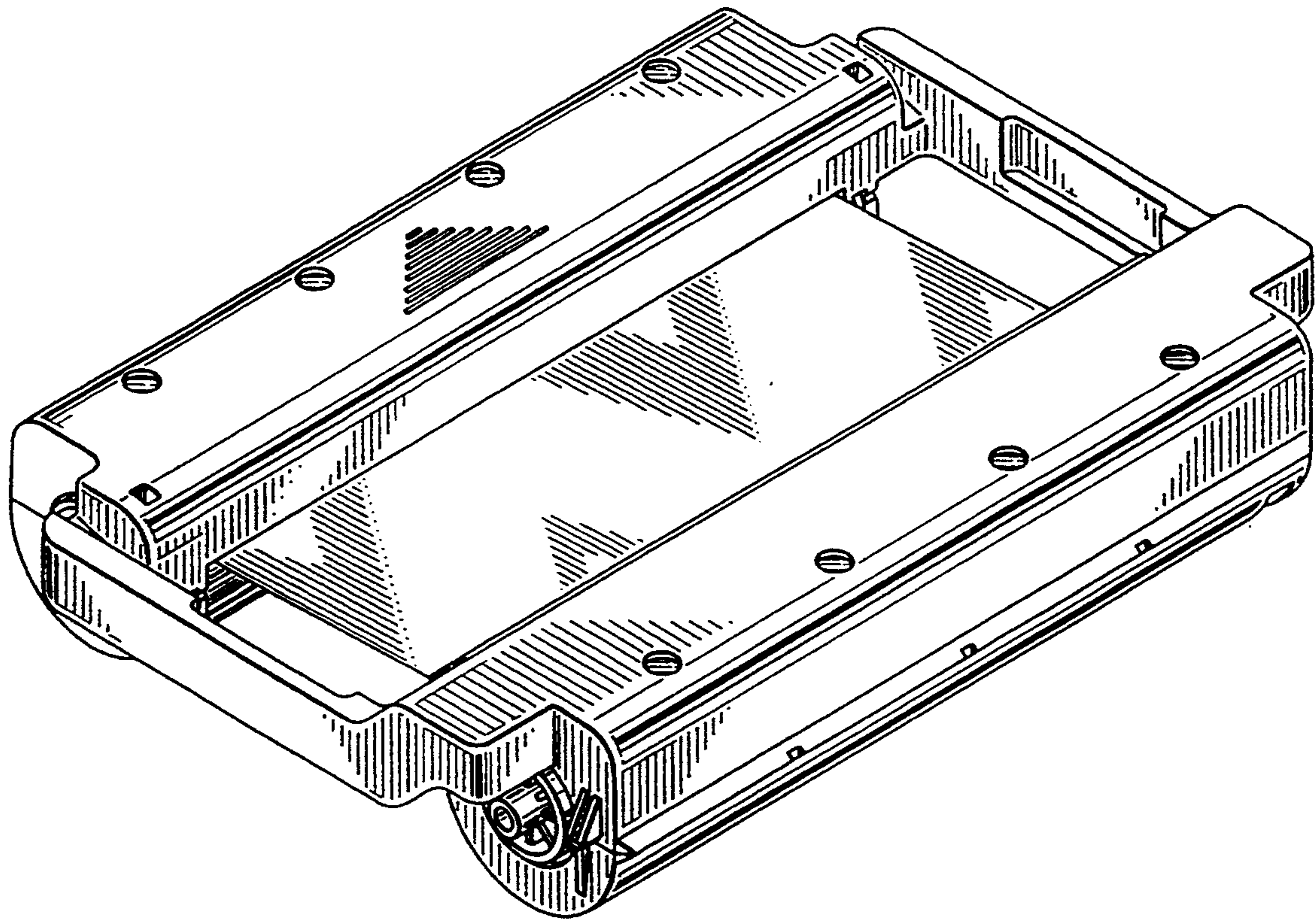


FIG. 7