



US00D355430S

United States Patent [19]

[11] Patent Number: **Des. 355,430**

Hofmann-Igl

[45] Date of Patent: **** Feb. 14, 1995**

[54] **STEREOMICROSCOPE**

[75] Inventor: **Ernest Hofmann-Igl**, Davos-Platz, Switzerland

[73] Assignee: **Leica AG**, Heerbrugg, Switzerland

[**] Term: **14 Years**

[21] Appl. No.: **16,732**

[22] Filed: **Dec. 22, 1993**

[30] **Foreign Application Priority Data**

Jul. 12, 1993 [DE] Germany M9305537.4

[52] U.S. Cl. **D16/131**

[58] Field of Search D16/131; 359/385, 376, 359/390, 801, 377, 378

[56] **References Cited**

U.S. PATENT DOCUMENTS

D. 215,889	11/1969	Suzuki	D16/131
2,967,456	1/1961	Maier	D16/131 X
3,572,884	3/1971	Chirayath	359/385 X
3,637,283	1/1972	Tasaki et al.	D16/131 X
4,341,435	7/1982	Lang et al.	359/385 X
5,002,376	3/1991	Hoppl et al.	359/376 X
5,076,680	12/1991	Arjarasumpun	D16/131 X

OTHER PUBLICATIONS

The Sharper Image, Fall 1982, p. 14, Tasco Stereo, Microscope, Optics Box 1.
 The Fisher Catalog, 1991-1992 p. 1054, Stereomaster Microscope.
 Edmund Scientific Co. ©1990, p. 35, Heavy Duty Large Stage Stereo Microscope.

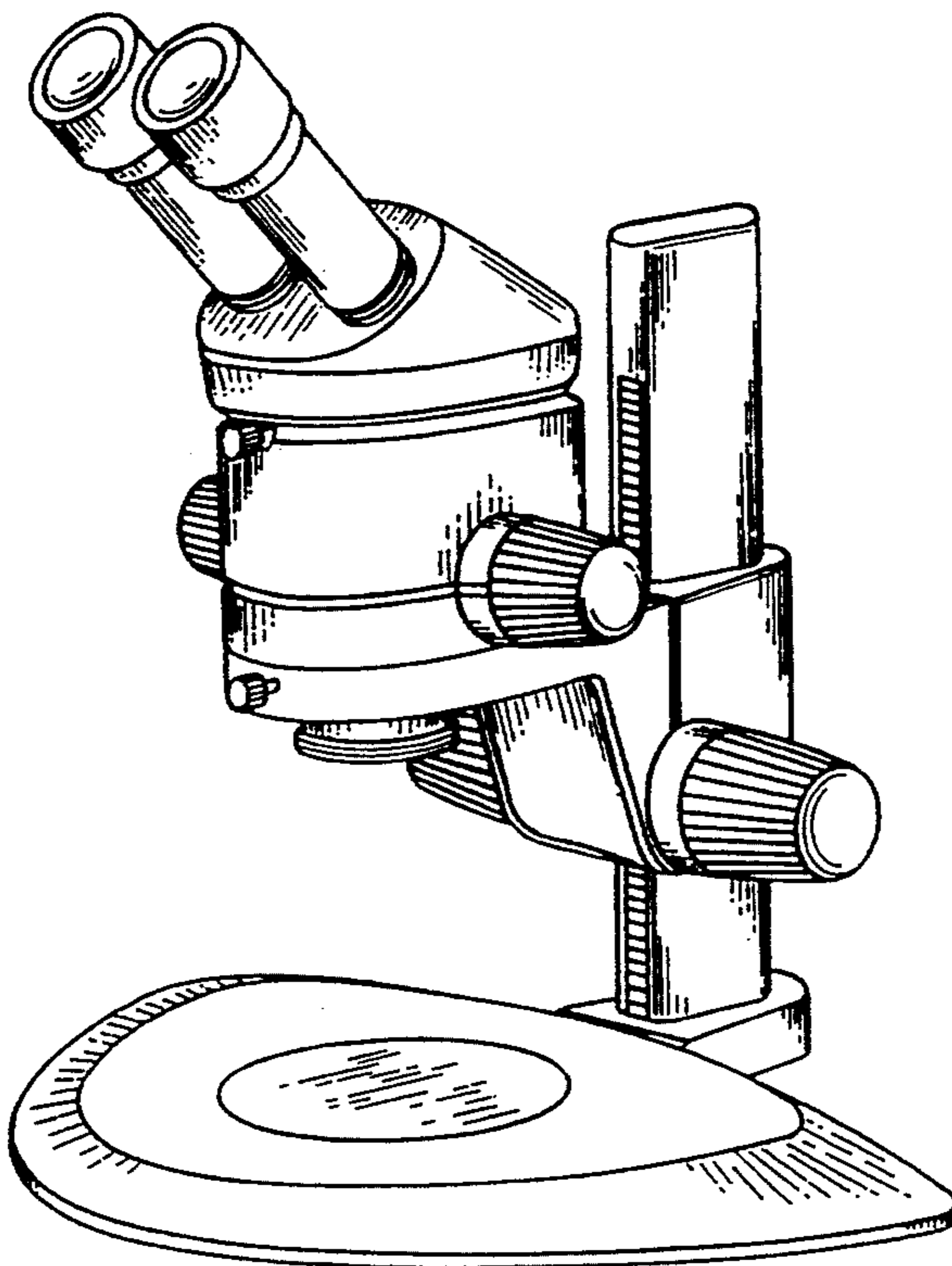
Primary Examiner—A. Hugo Word
Assistant Examiner—Doris V. Coles
Attorney, Agent, or Firm—Bean, Kauffman & Spencer

[57] **CLAIM**

The ornamental design for a stereomicroscope, as shown and described.

DESCRIPTION

FIG. 1 is a perspective view of a stereomicroscope showing my new design;
 FIG. 2 is a right side elevational view thereof, the left side being a mirror image thereof and is thus not shown;
 FIG. 3 is a front elevational view thereof;
 FIG. 4 is a rear elevational view thereof;
 FIG. 5 is a top plan view thereof;
 FIG. 6 is a bottom plan view thereof;
 FIG. 7 is a second embodiment of a stereomicroscope showing my new design;
 FIG. 8 is a right side elevational view thereof, the left side being a mirror image thereof and is thus not shown;
 FIG. 9 is a front elevational view thereof;
 FIG. 10 is a rear elevational view thereof;
 FIG. 11 is a top plan view thereof;
 FIG. 12 is a bottom plan view thereof;
 FIG. 13 is a third embodiment of a stereomicroscope showing my new design;
 FIG. 14 is a right side elevational view thereof, the left side being a mirror image thereof and is thus not shown;
 FIG. 15 is a front elevational view thereof;
 FIG. 16 is a rear elevational view thereof;
 FIG. 17 is a top plan view thereof; and,
 FIG. 18 is a bottom plan view thereof.



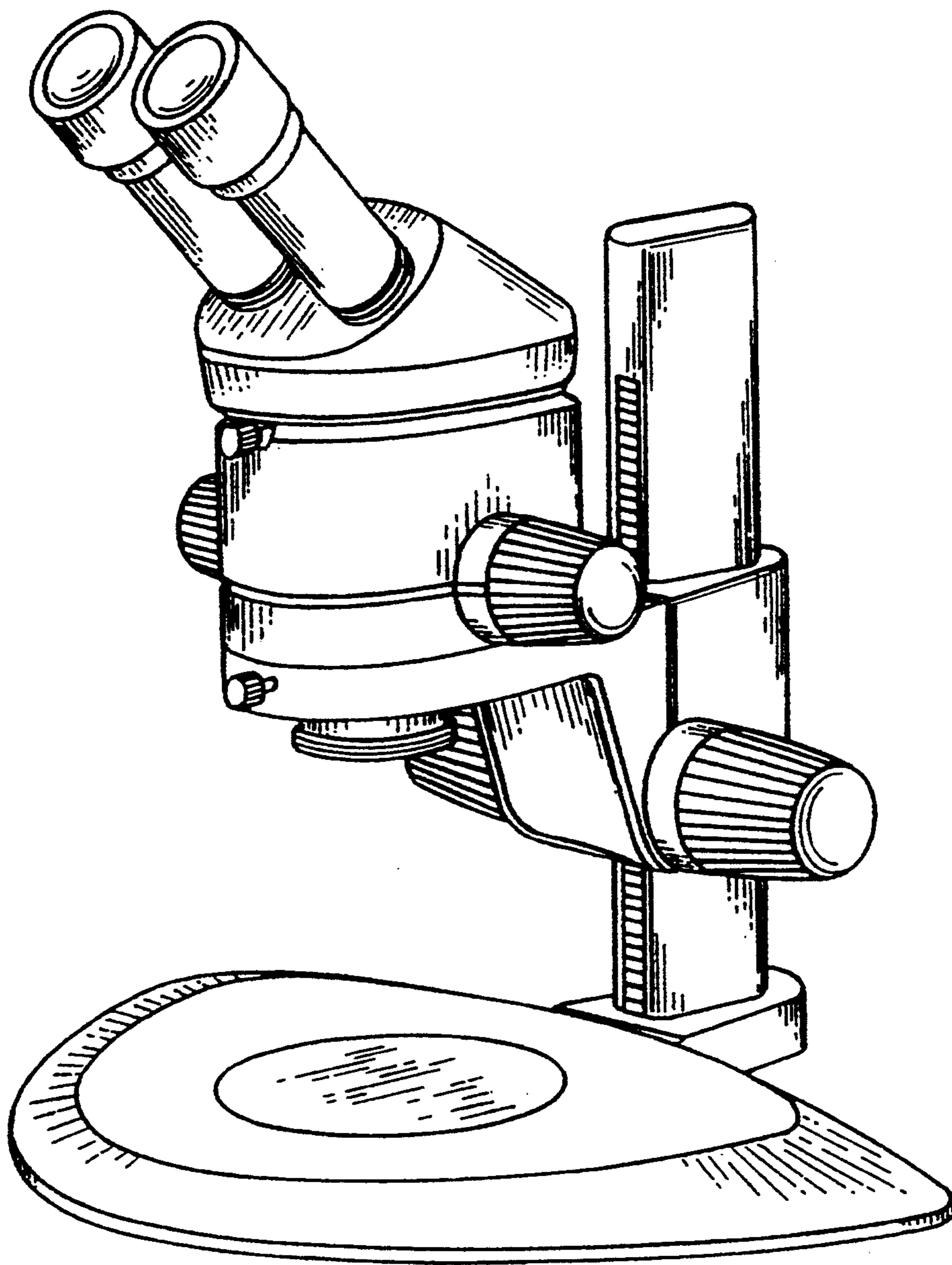


Fig. 1

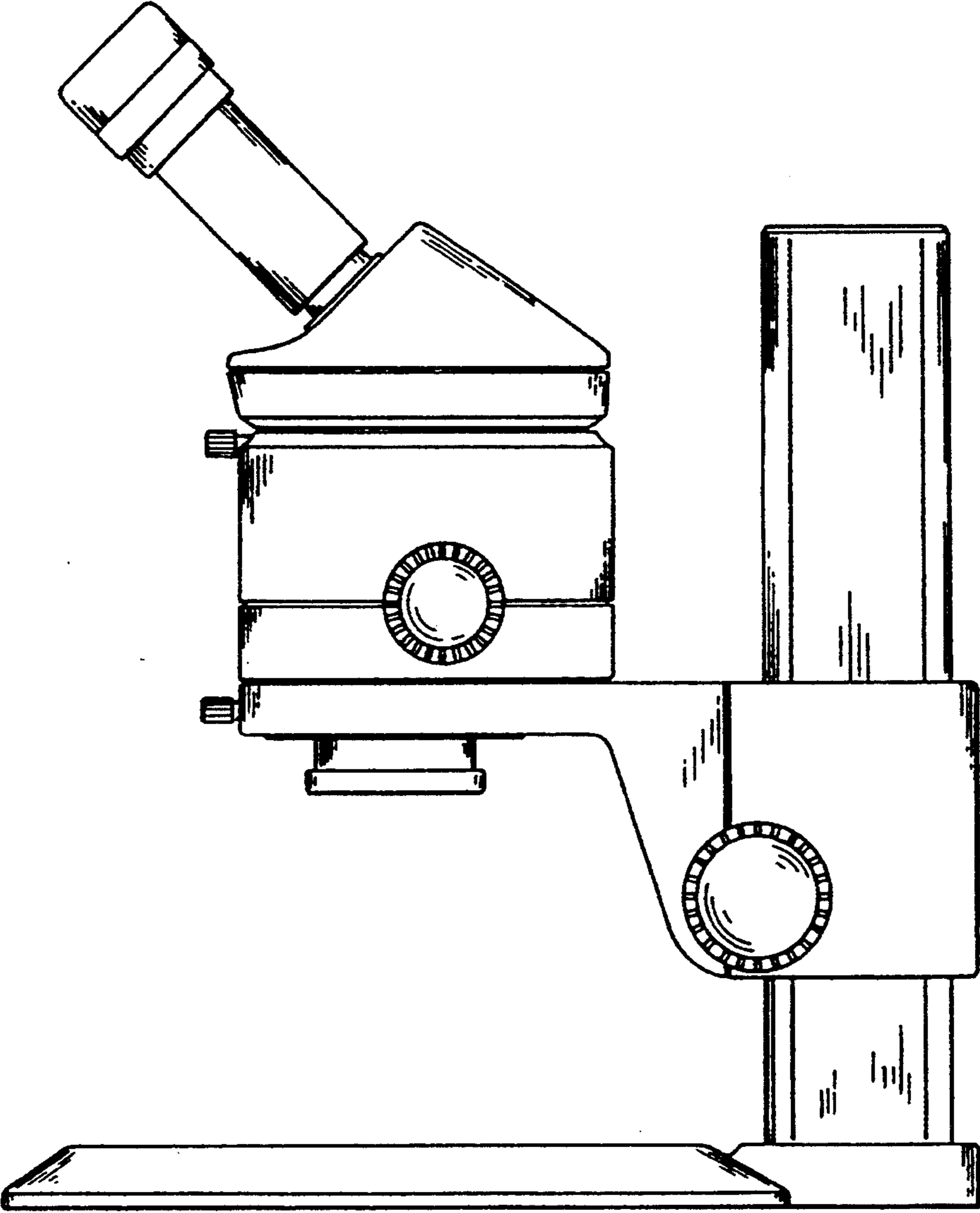


Fig. 2

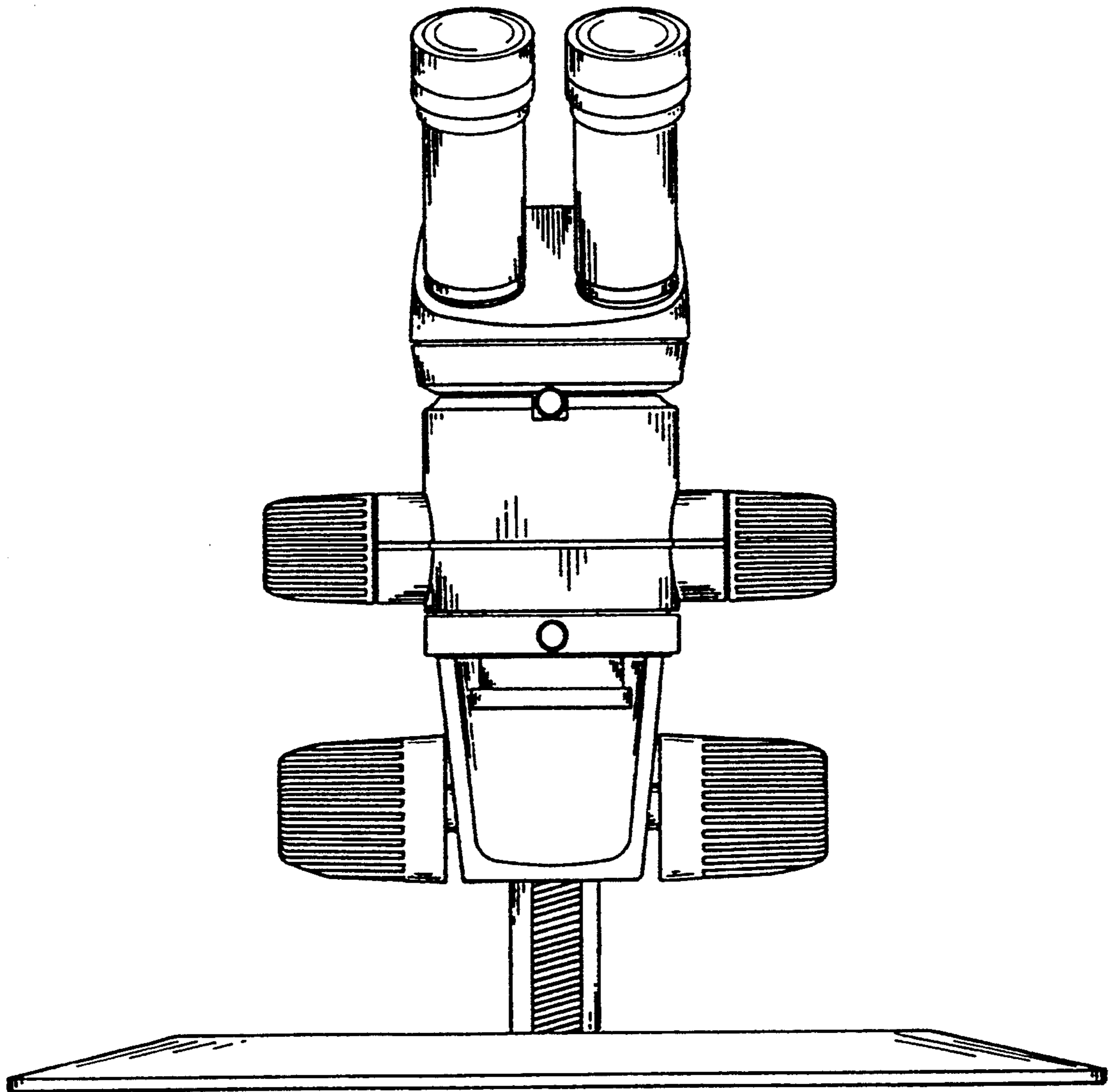


Fig. 3

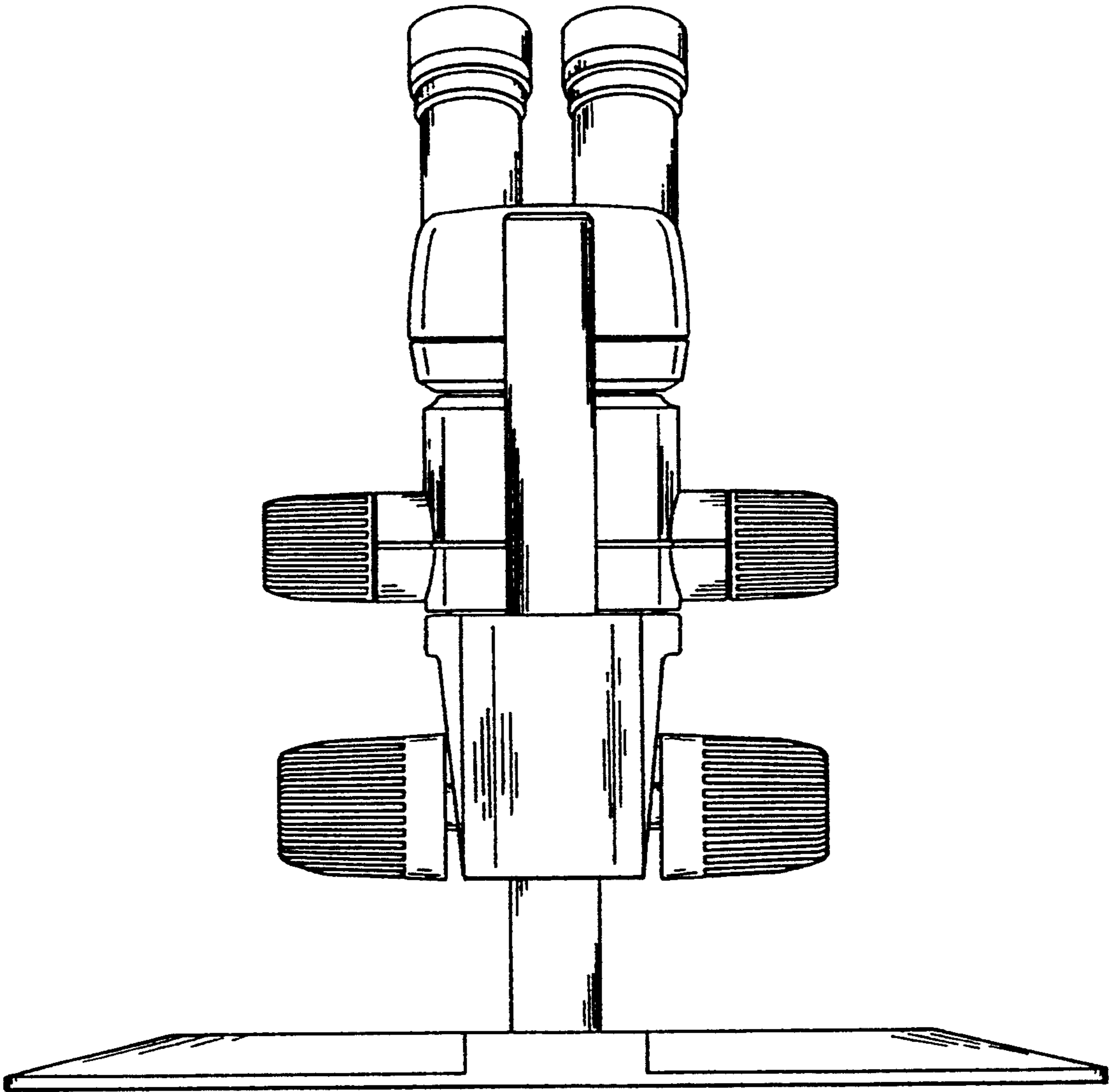


Fig. 4

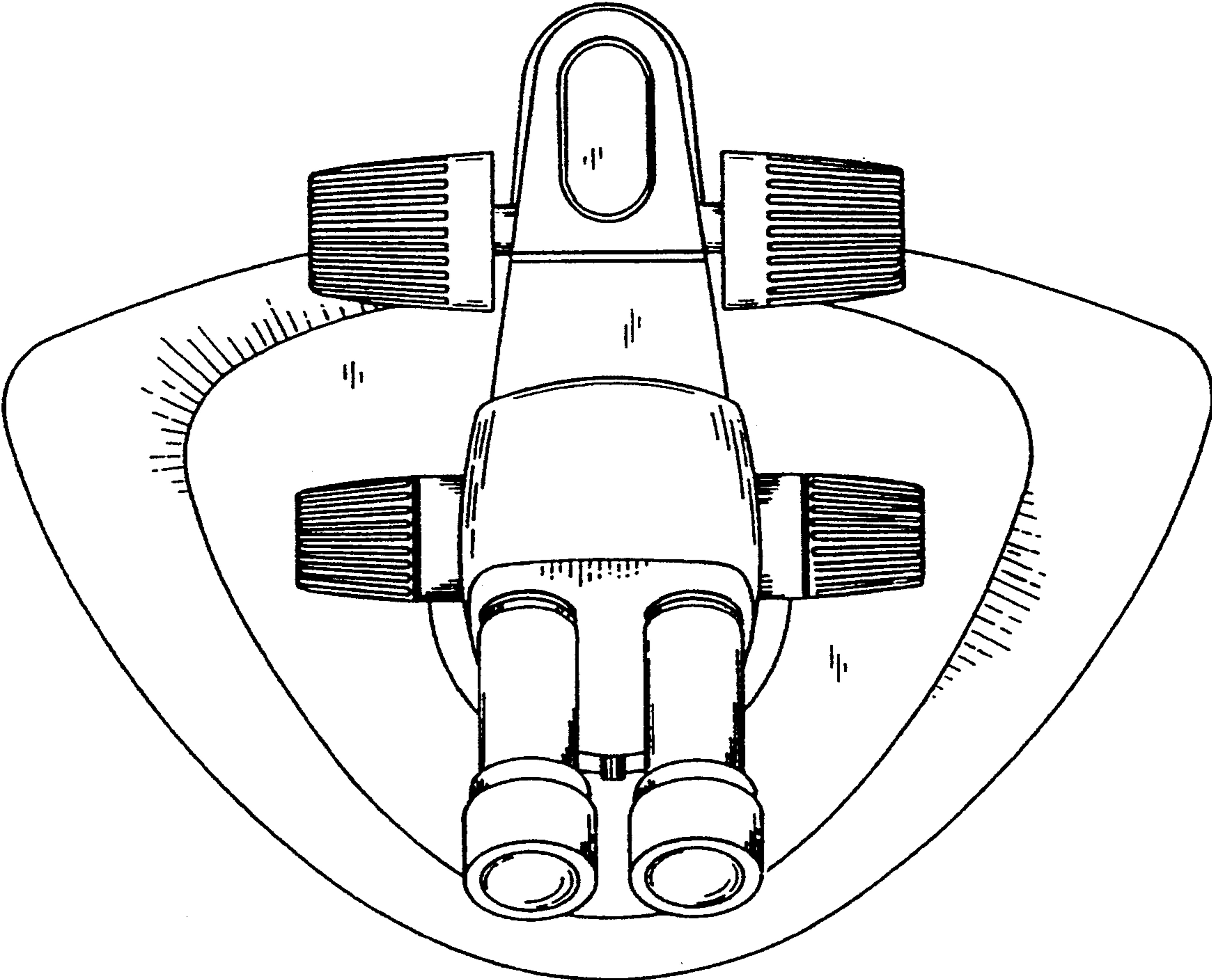


Fig. 5

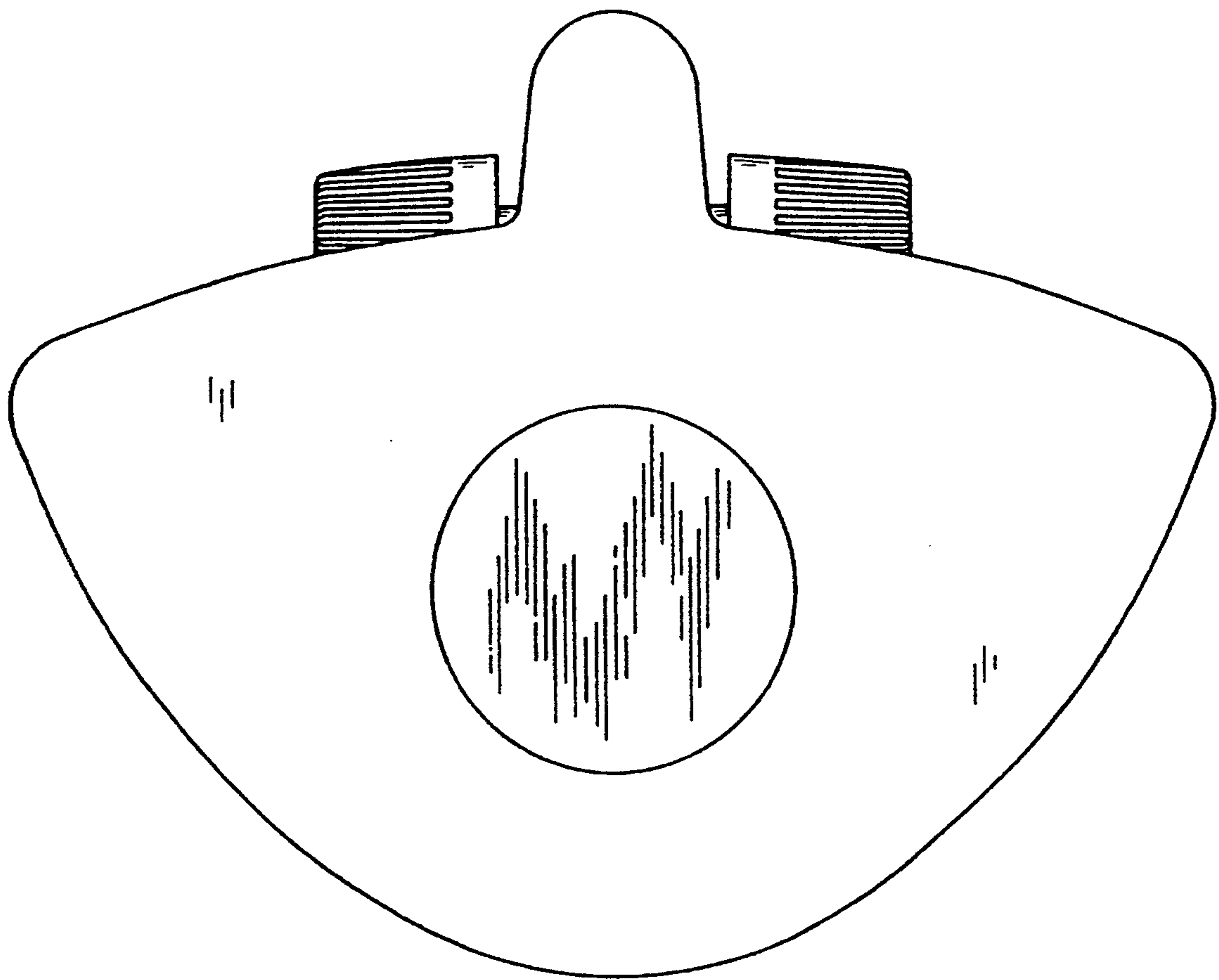


Fig. 6

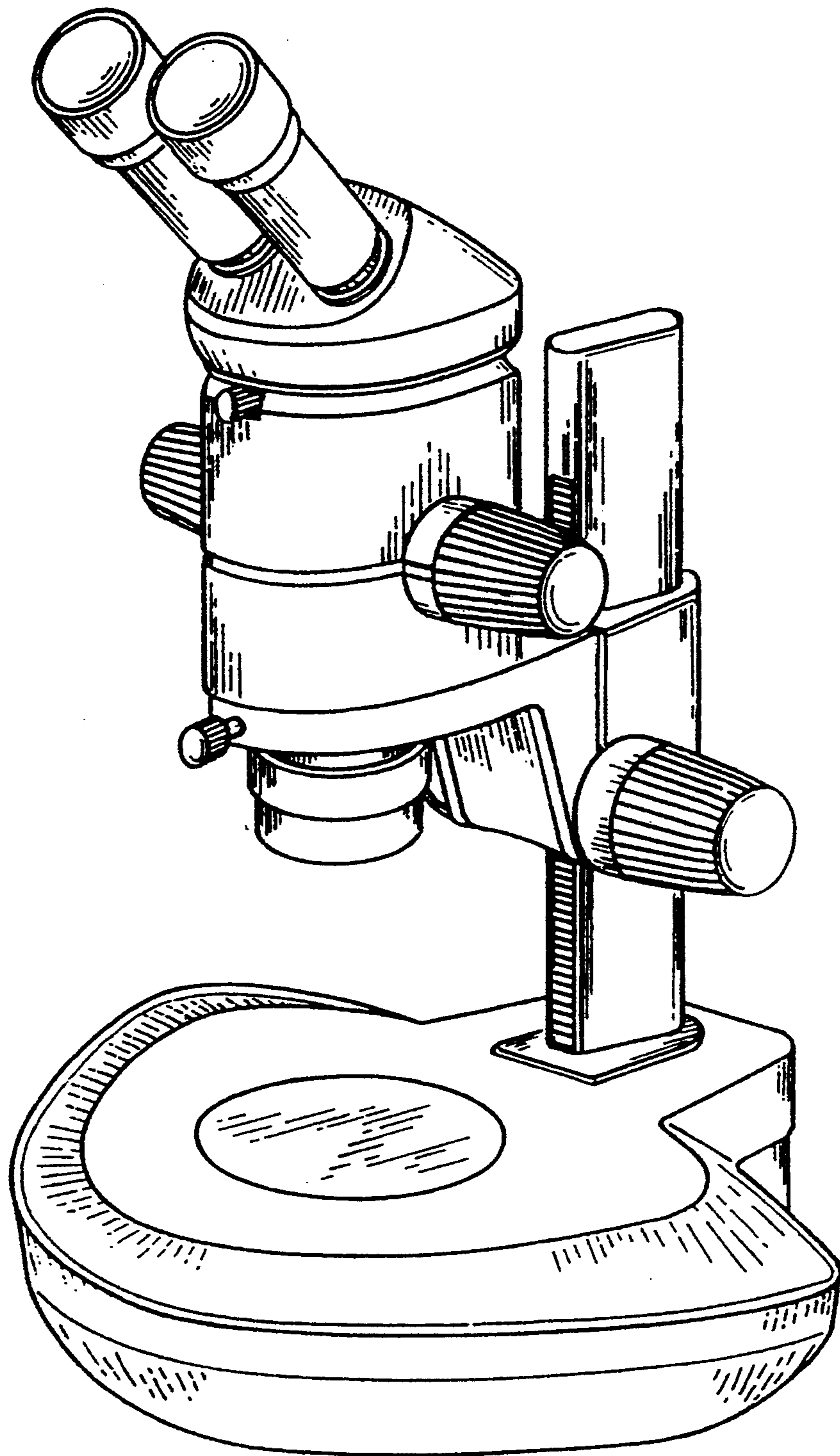


Fig. 7

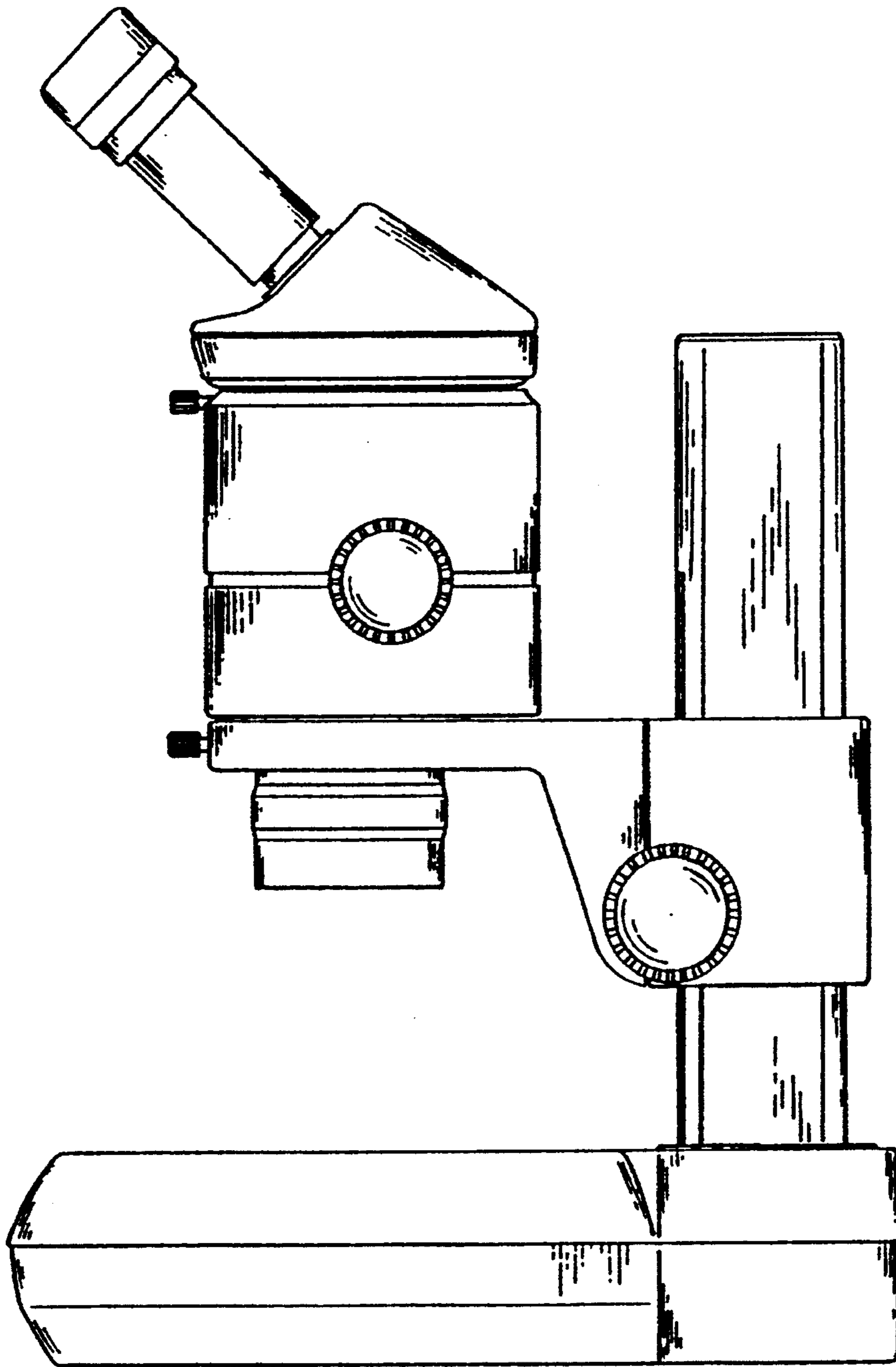


Fig. 8

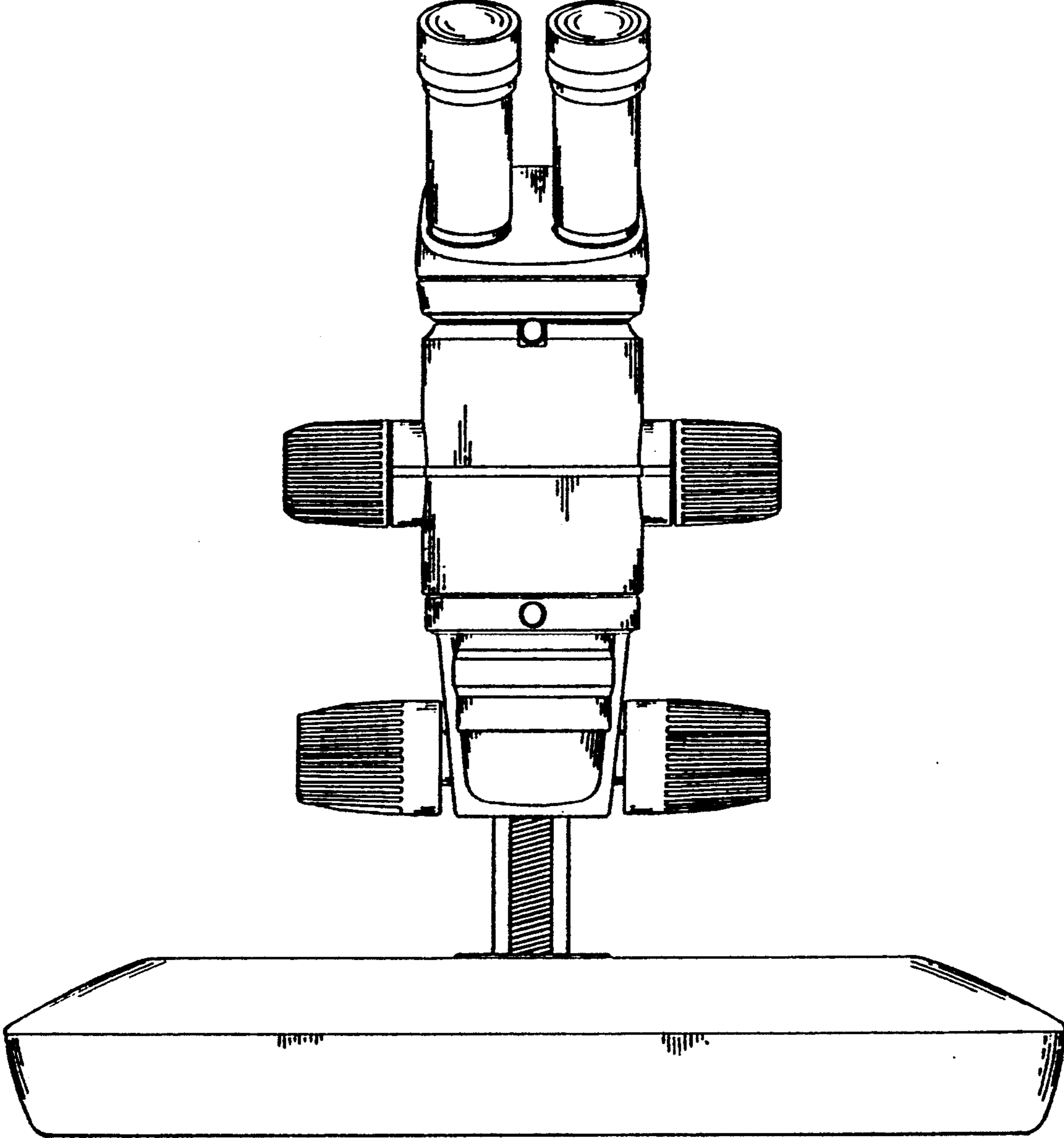


Fig. 9

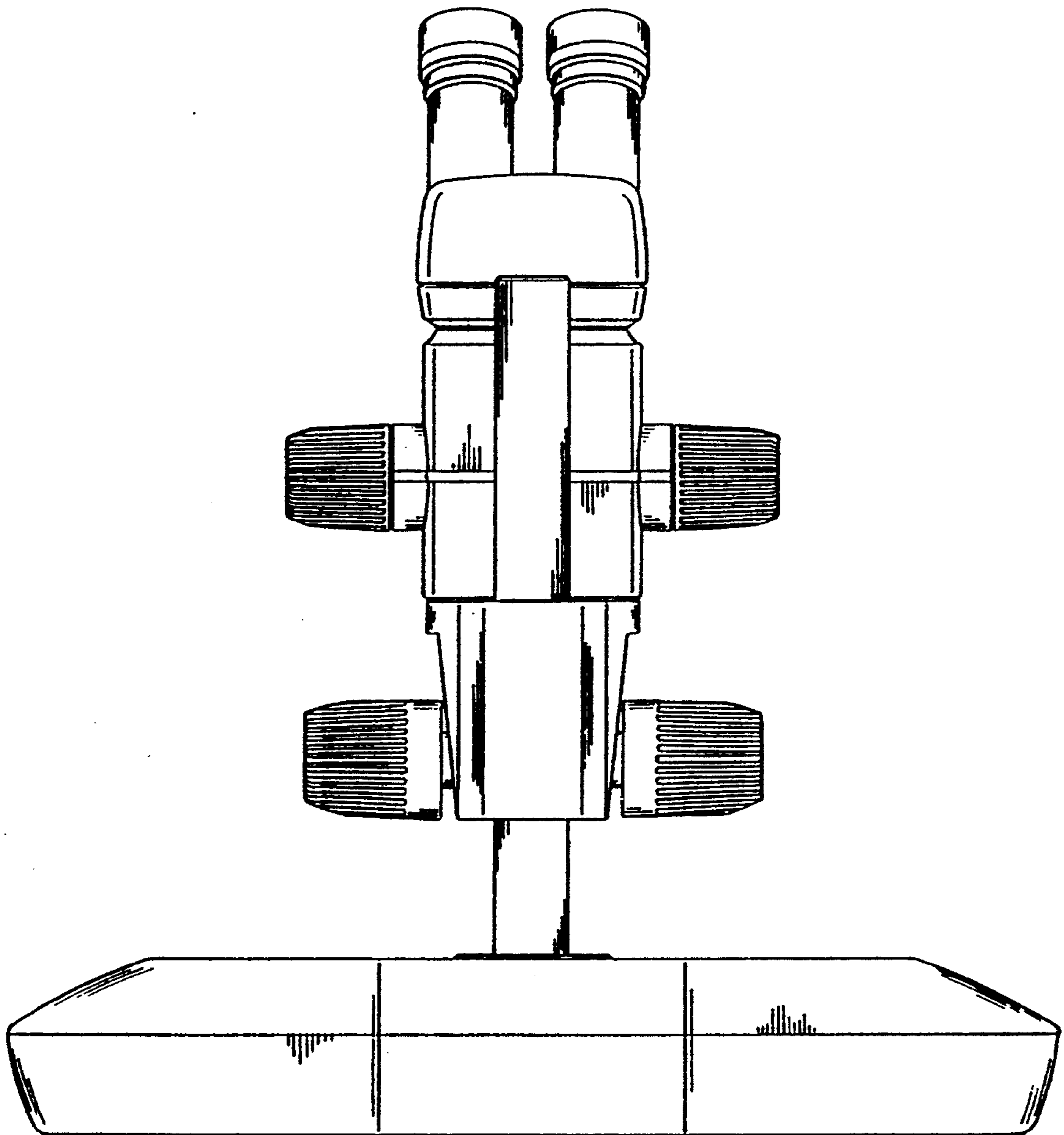


Fig. 10

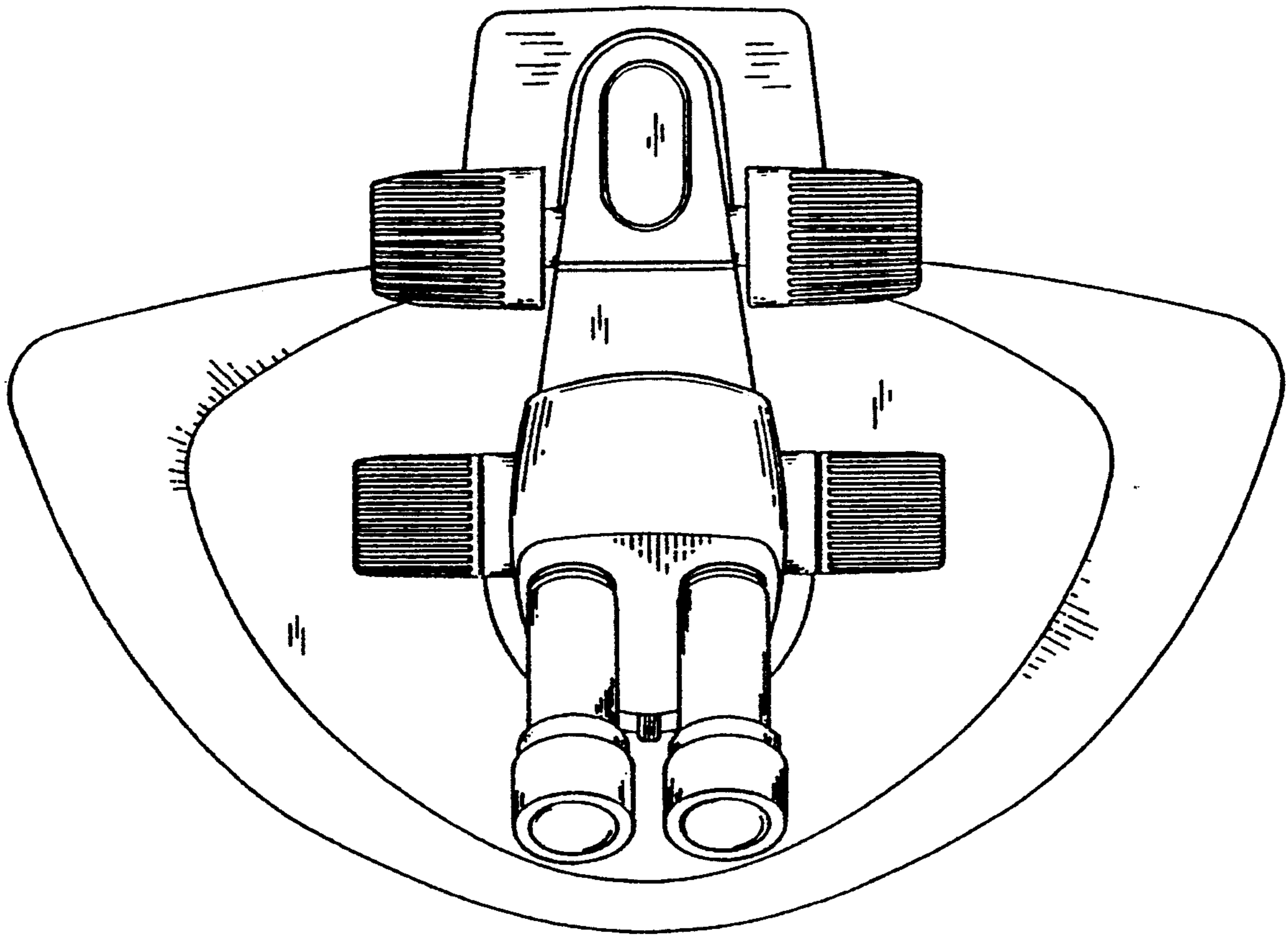


Fig. 11

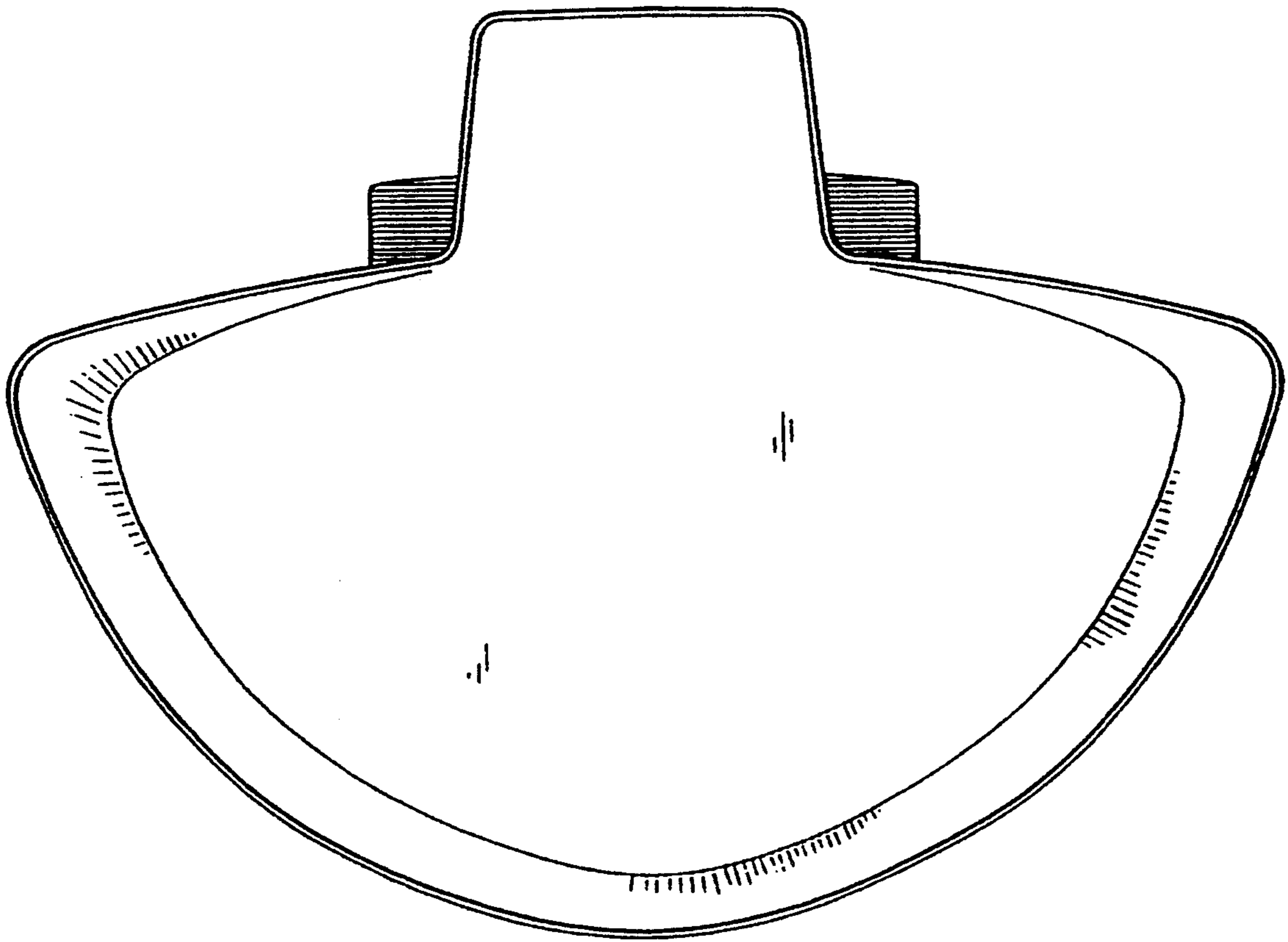


Fig. 12

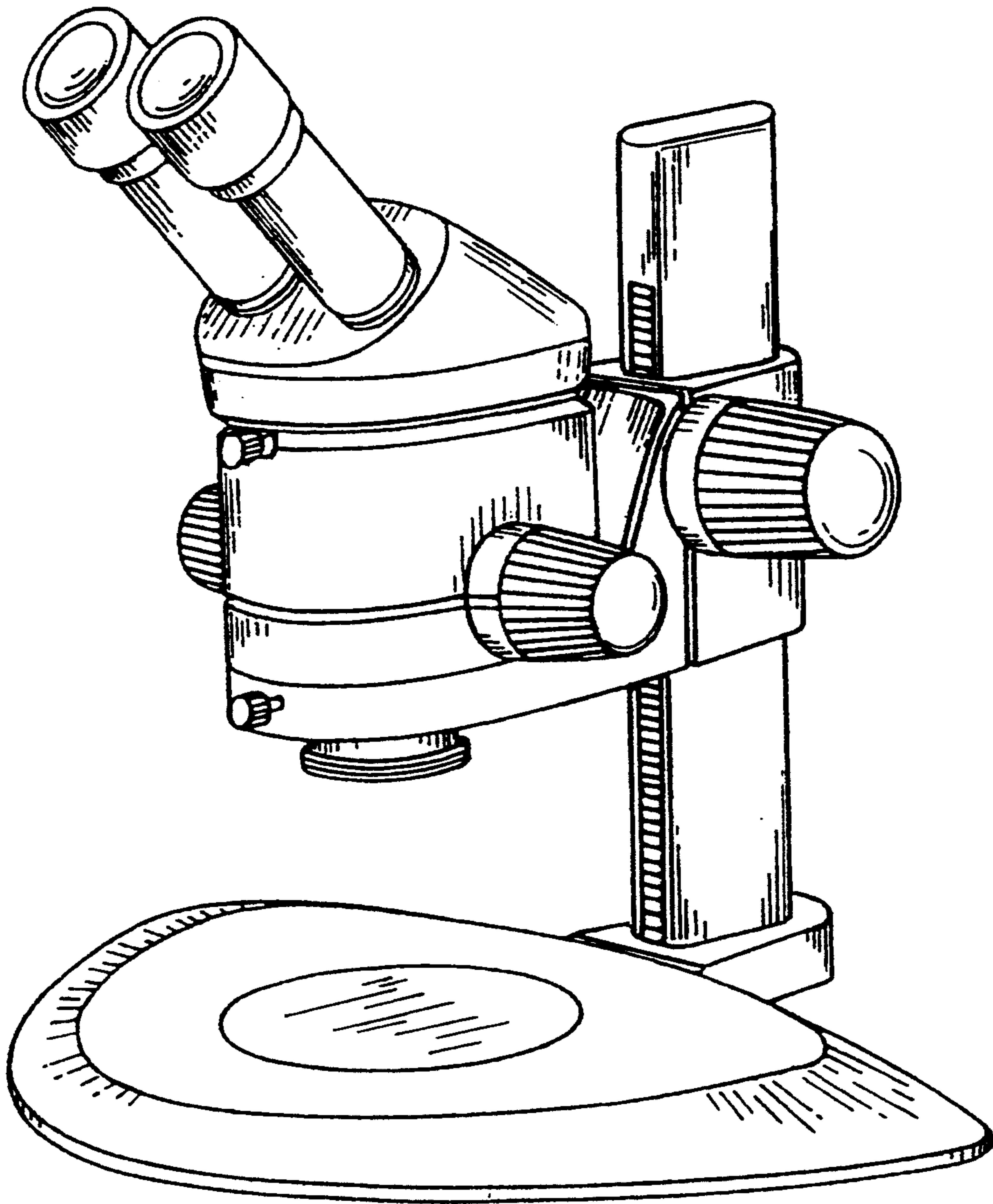


Fig. 13

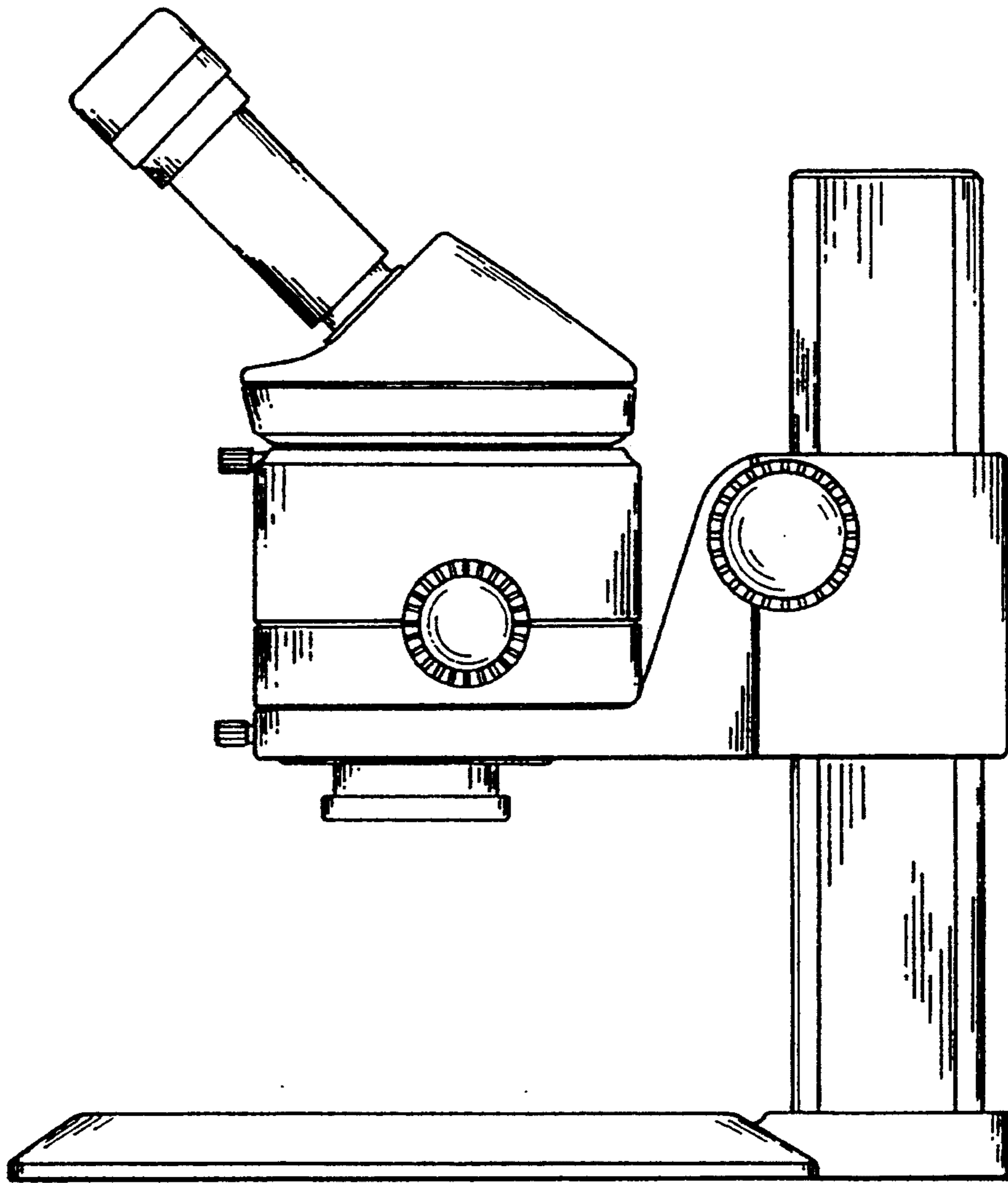


Fig. 14

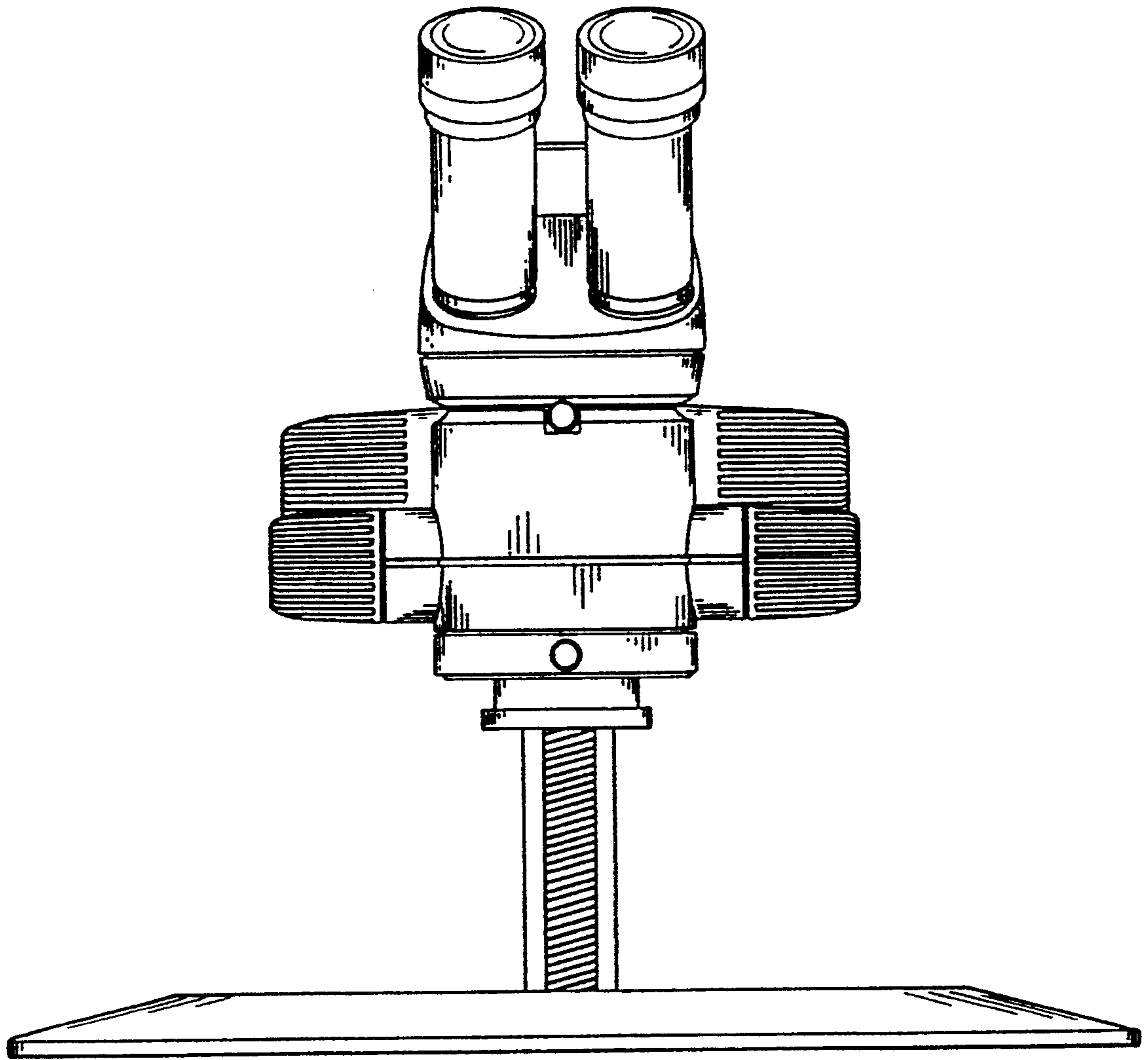


Fig. 15

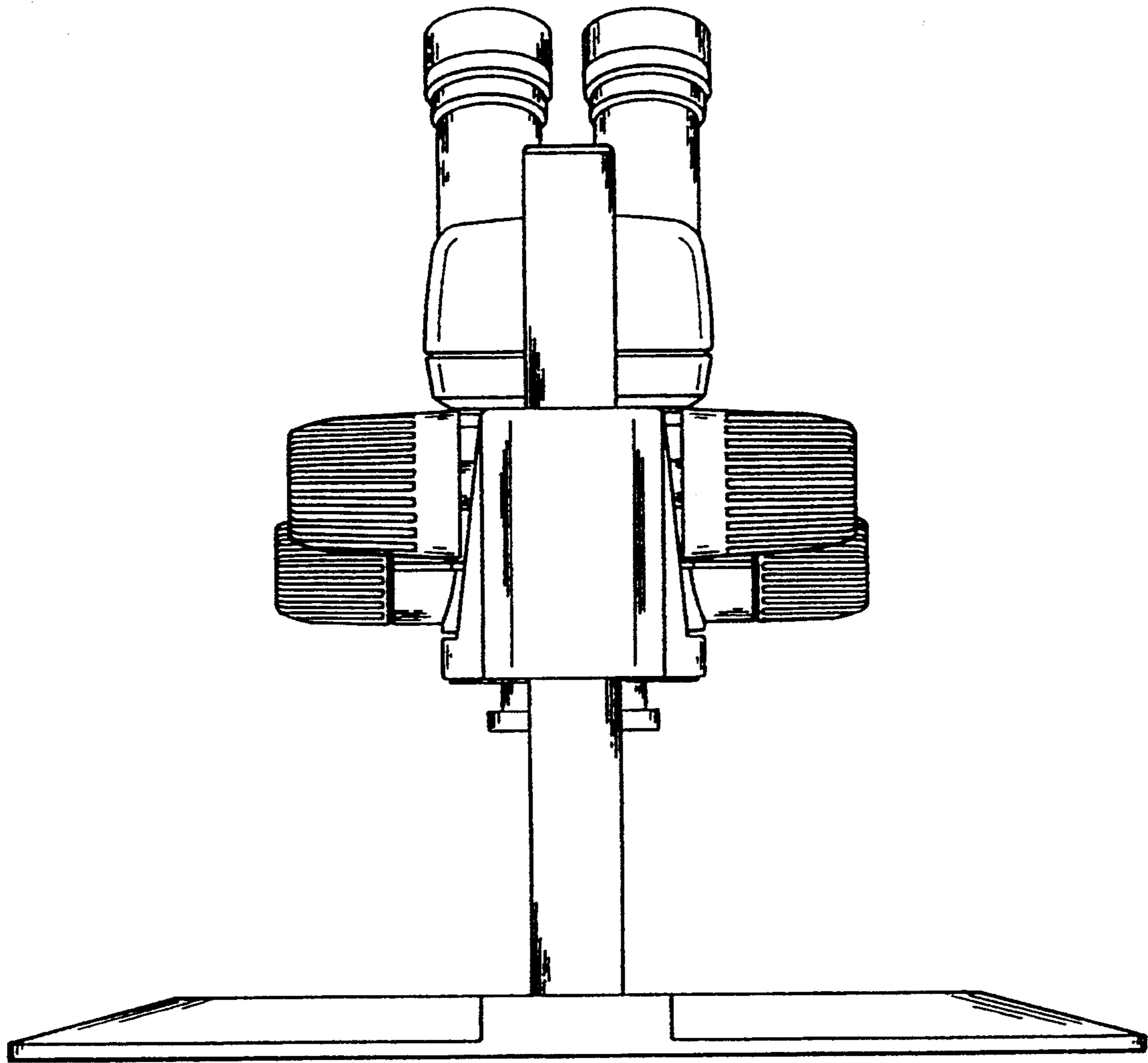


Fig. 16

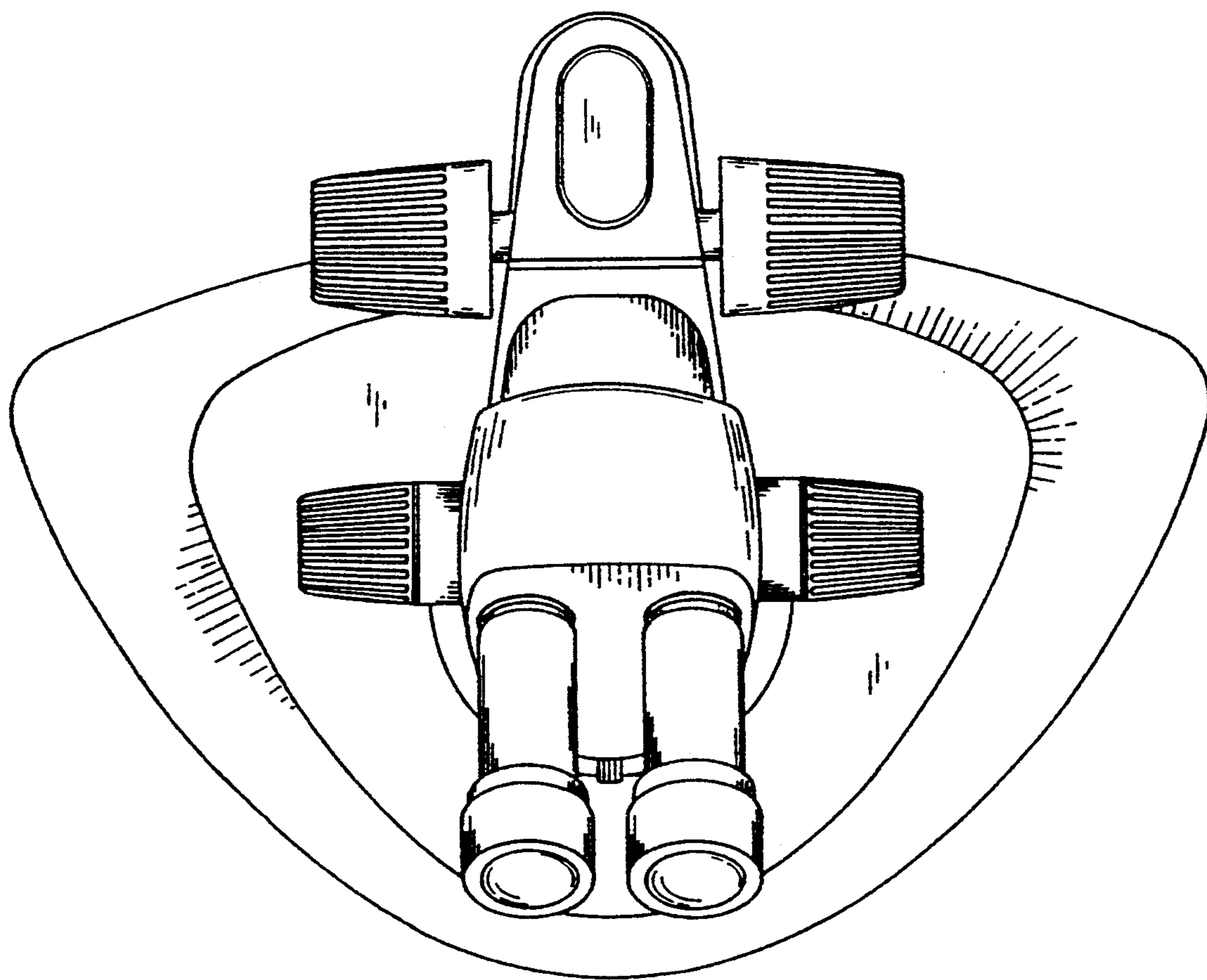


Fig. 17

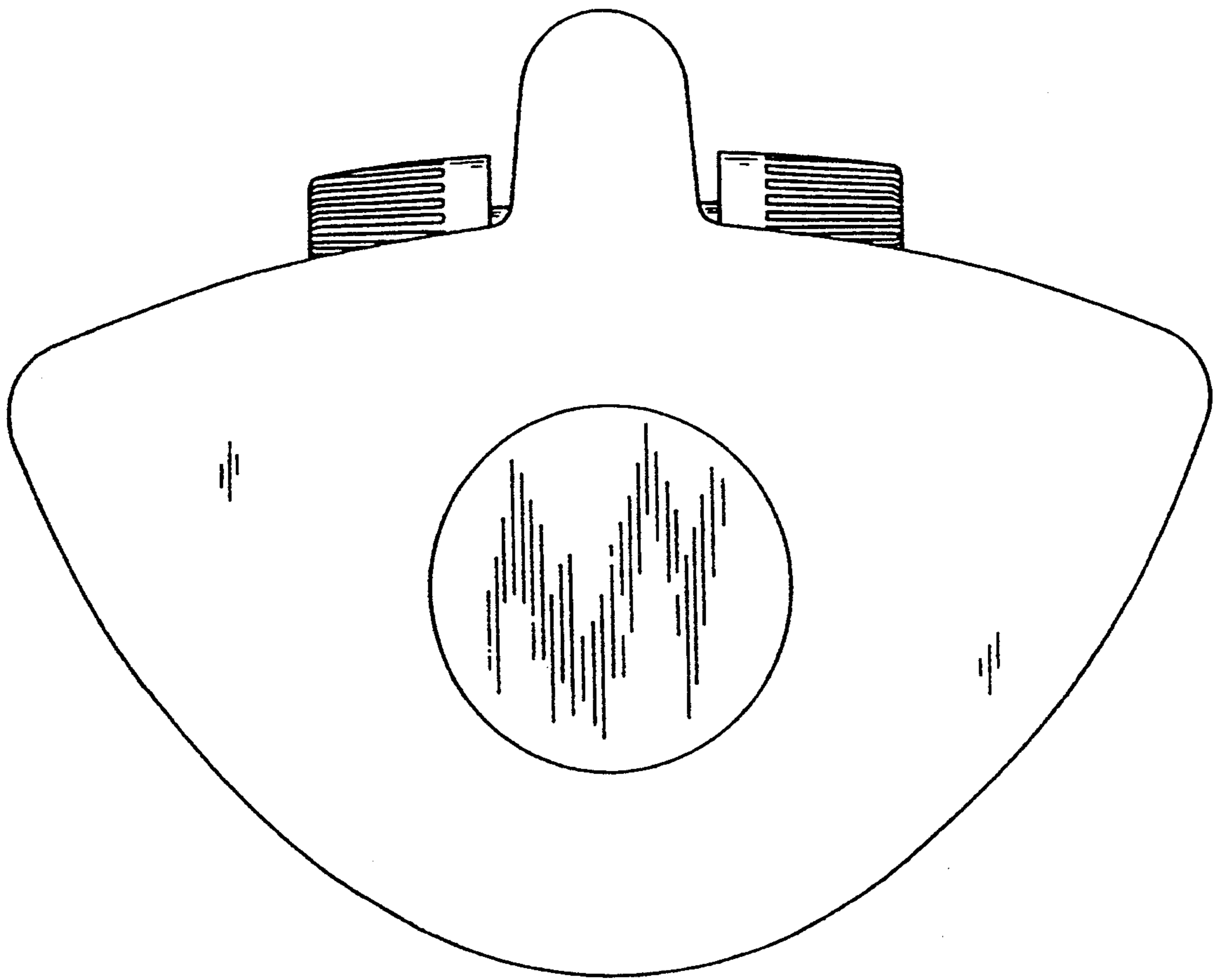


Fig. 18