



US00D355425S

United States Patent [19]

[11] Patent Number: **Des. 355,425**

Weaver

[45] Date of Patent: **** Feb. 14, 1995**

[54] **OIL FILTER CRUSHER**

5,221,052 6/1993 Vega 100/902 X

[76] Inventor: **Lawrence C. Weaver**, 14810
Brookside Forest, Houston, Tex.
77040

Primary Examiner—Alan P. Douglas
Assistant Examiner—Antoine D. Davis
Attorney, Agent, or Firm—Kenneth A. Roddy

[**] Term: **14 Years**

[57] **CLAIM**

[21] Appl. No.: **360**

The ornamental design for an oil filter crusher, as shown and described.

[22] Filed: **Oct. 9, 1992**

DESCRIPTION

[52] U.S. Cl. **D15/123**

[58] Field of Search D15/123; 100/54, 902

FIG. 1 is a perspective view of an oil filter crusher showing my new design;

FIG. 2 is a front elevational view thereof;

FIG. 3 is a side elevational view thereof, the opposite side being a mirror image of that shown;

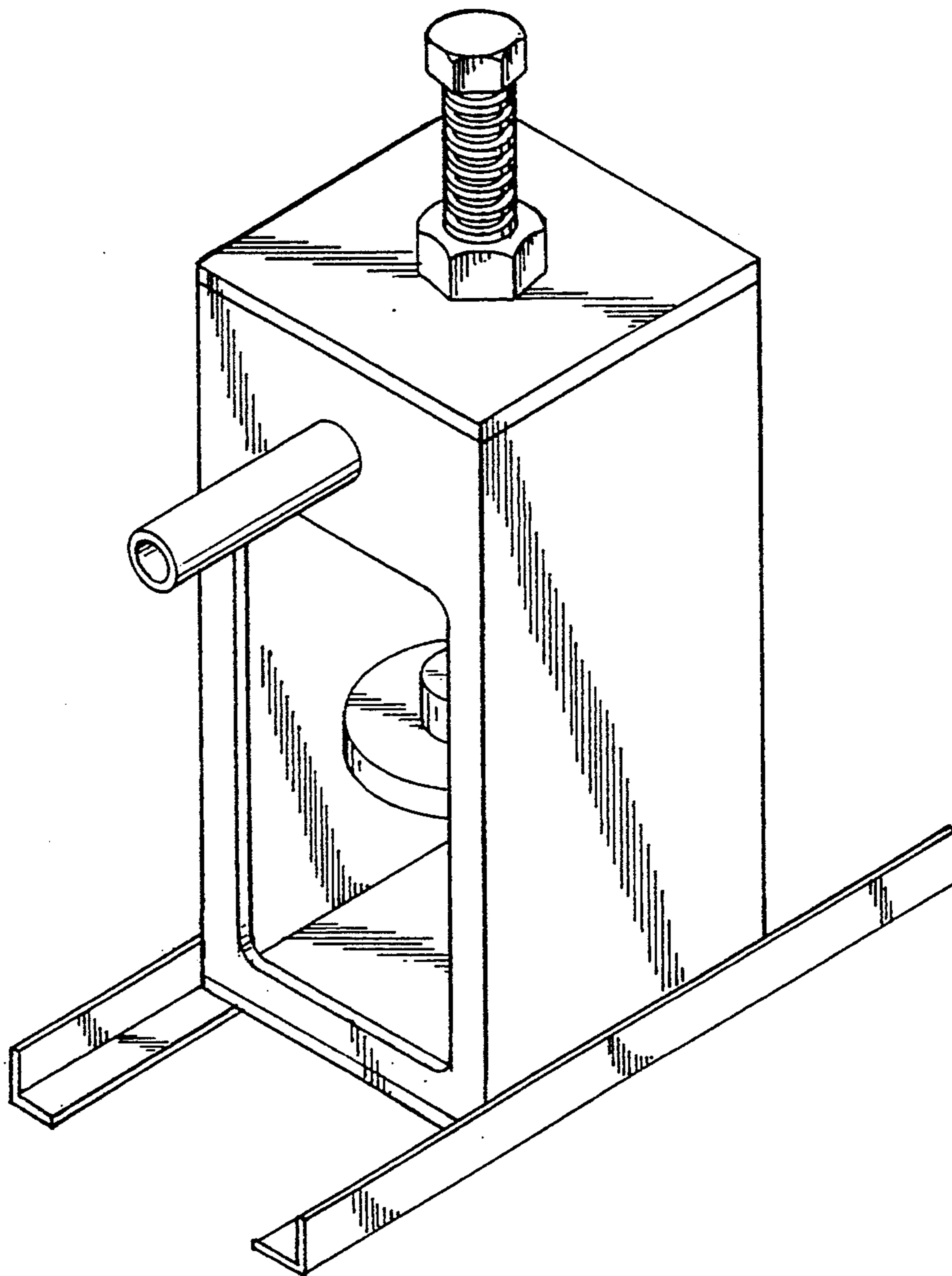
FIG. 4 is a rear elevational view thereof; and,

FIG. 5 is a cross sectional view thereof.

[56] **References Cited**

U.S. PATENT DOCUMENTS

D. 252,573 8/1979 Weger D15/123
4,463,670 8/1984 Thomas 100/902 X



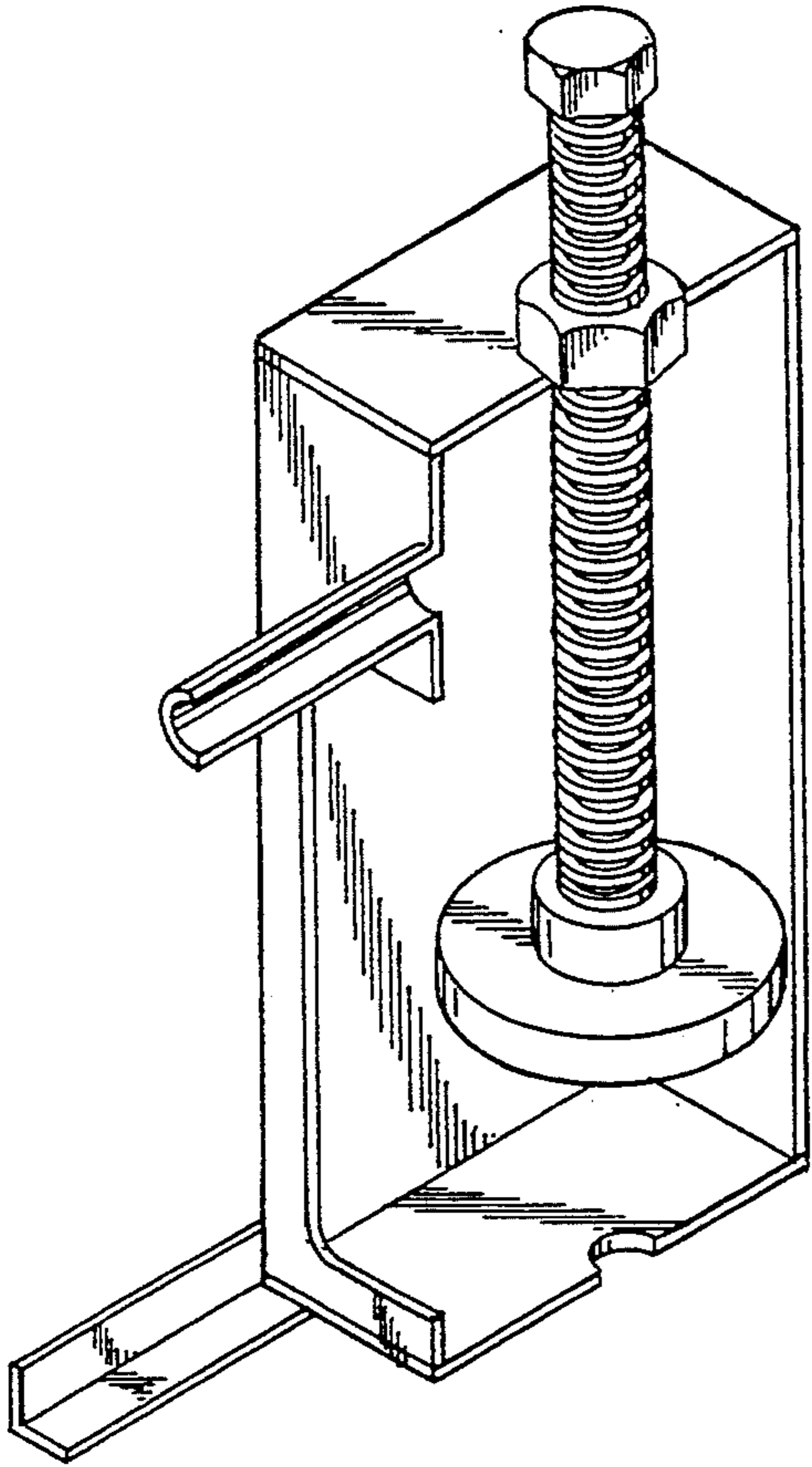
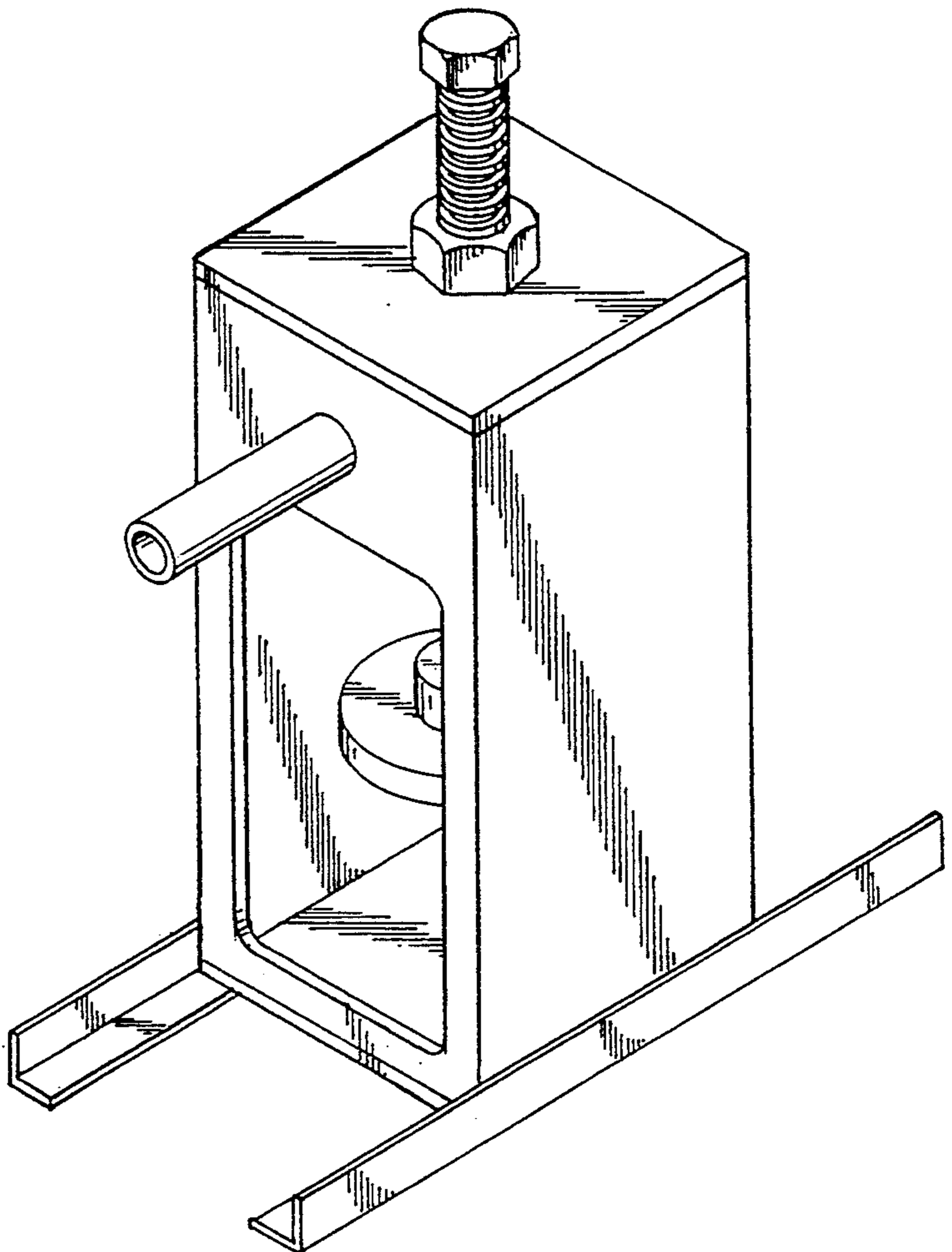


fig. 1

fig. 5



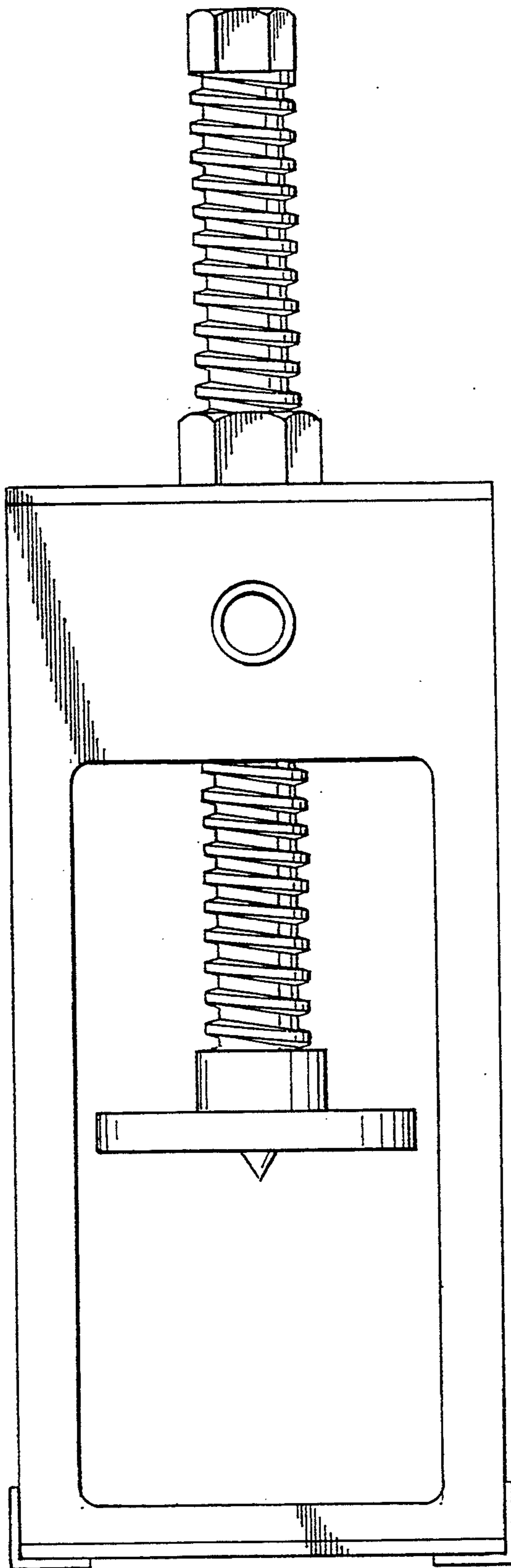


fig. 2

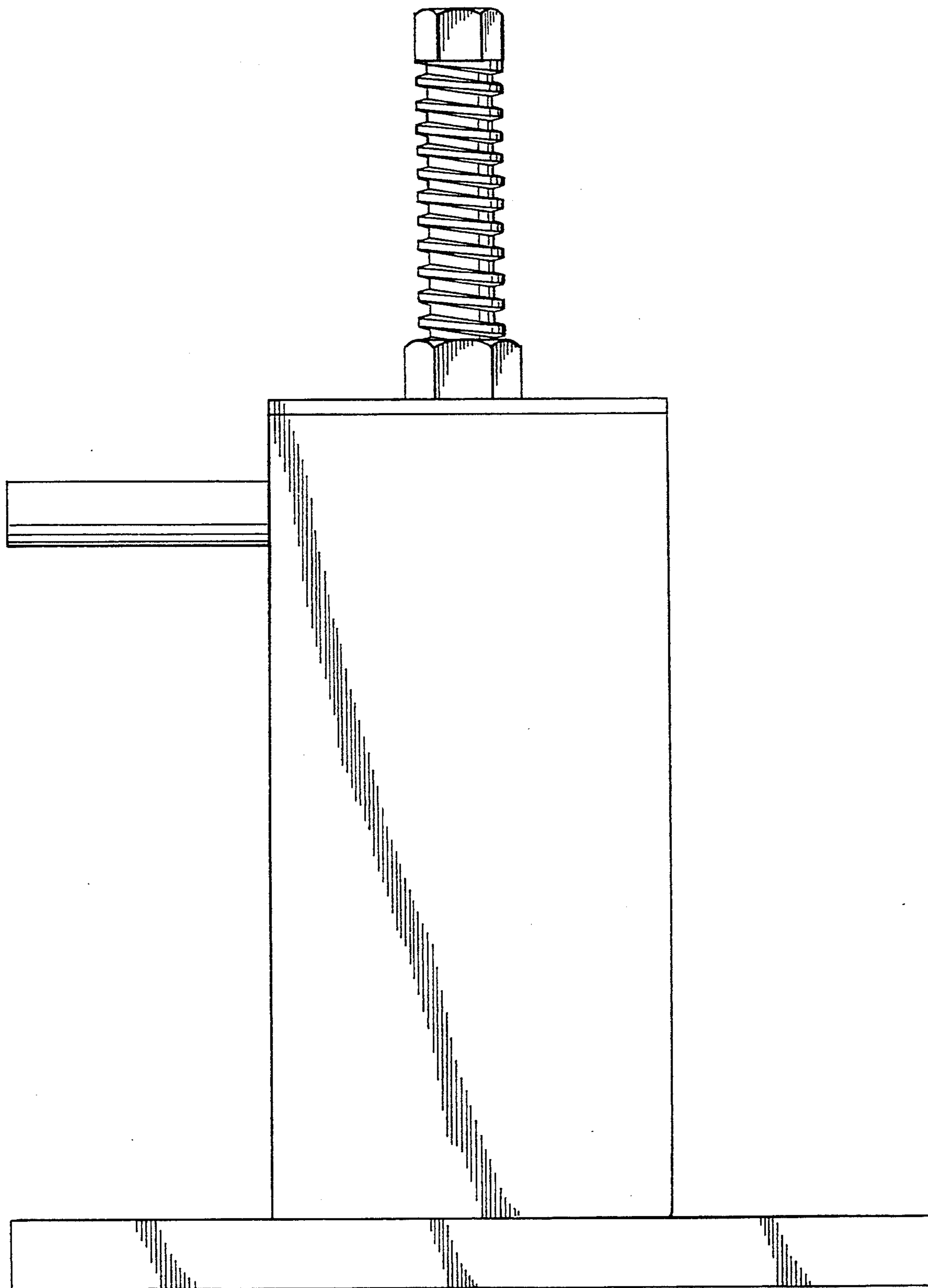


fig. 3

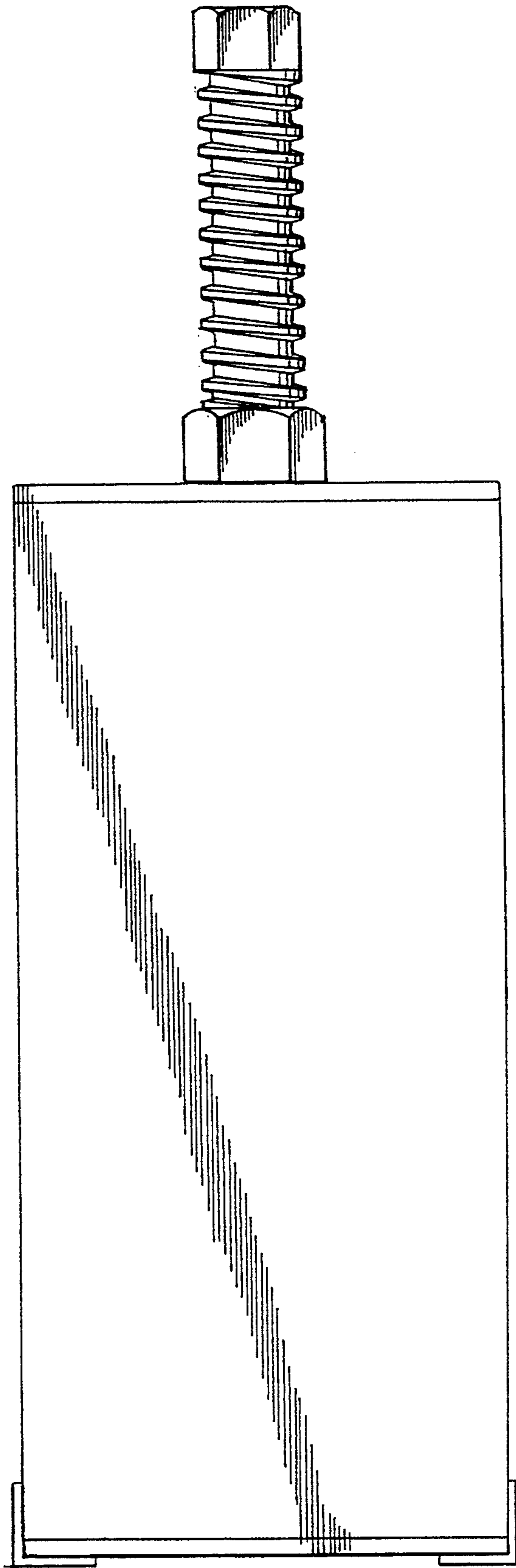


fig. 4