



US00D355423S

# United States Patent [19]

[11] Patent Number: **Des. 355,423**

Woods et al.

[45] Date of Patent: **\*\* Feb. 14, 1995**

[54] **TRACTOR**

[75] Inventors: **Terrill W. Woods; Lyle R. Madson,**  
both of Cedar Falls, Iowa

[73] Assignee: **Deere & Company, Moline, Ill.**

[\*\*] Term: **14 Years**

[21] Appl. No.: **667,099**

[22] Filed: **Mar. 8, 1991**

[52] U.S. Cl. .... **D15/23; D15/26**

[58] Field of Search ..... **D15/10, 11, 22-26;**  
**180/89.1, 89.12, 292, 900**

### FOREIGN PATENT DOCUMENTS

3308502 9/1984 Germany ..... 180/89.12  
2126544 3/1984 United Kingdom ..... 180/900

### OTHER PUBLICATIONS

John Deere sales brochure, "Firepower: 105- to 200-HP tractors", dated Feb. 1990.

*Primary Examiner*—Theodore M. Shooman

*Assistant Examiner*—Sandra Morris

### [57] CLAIM

The ornamental design for a tractor, as shown and described.

### [56] References Cited

#### U.S. PATENT DOCUMENTS

D. 247,624	3/1978	Emundts et al. ....	D15/23
D. 256,801	9/1980	Skyer et al. ....	D15/23
D. 269,260	6/1983	Rannanmaki ....	D15/23
D. 270,350	8/1983	Clancy et al. ....	D15/23
D. 312,643	12/1990	Goyen et al. ....	D15/25
4,155,415	5/1979	van der Lely ....	180/89.1
4,506,756	3/1985	Bergous ....	180/900

### DESCRIPTION

FIG. 1 is an elevated front perspective view of a tractor, showing our new design;

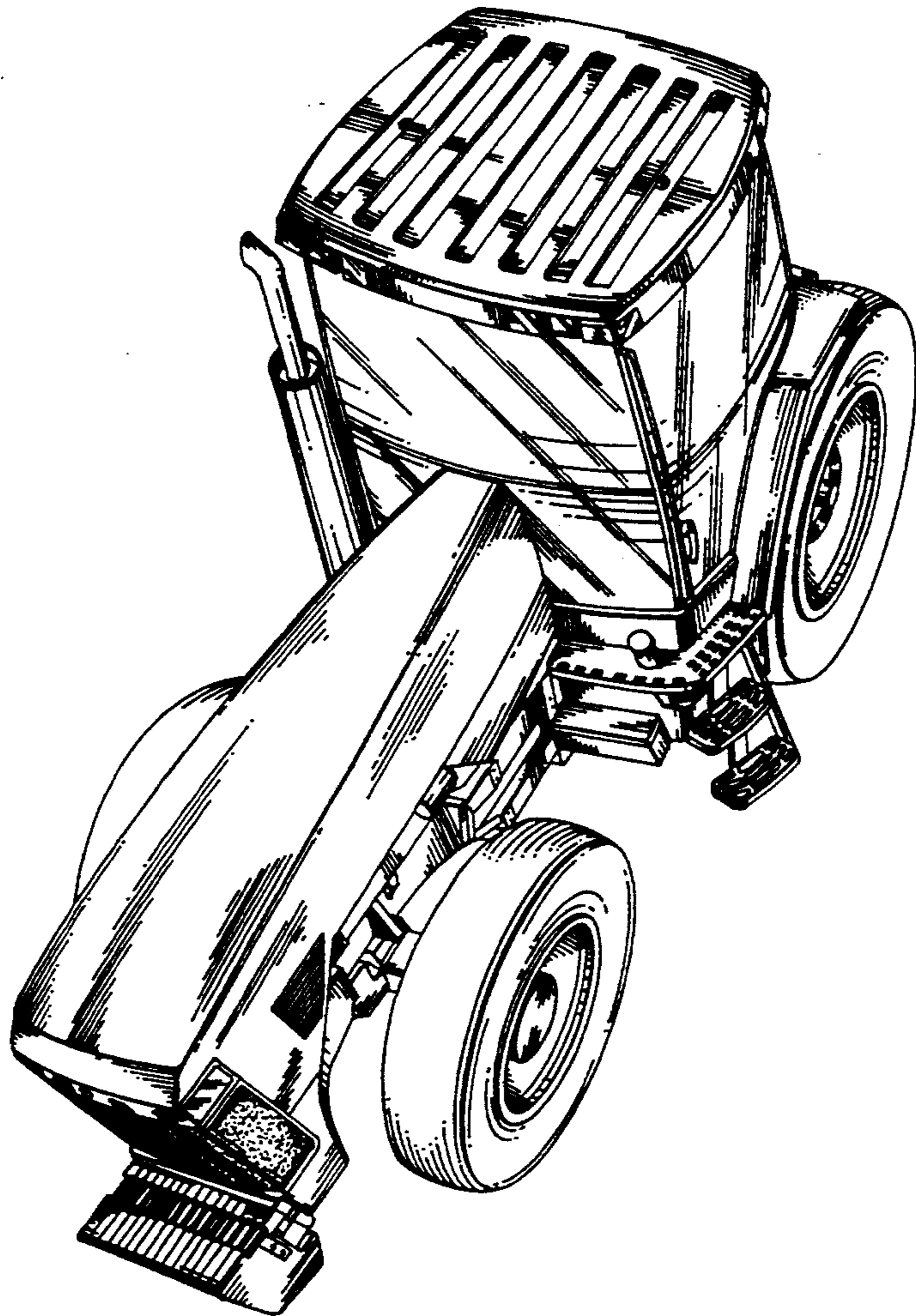
FIG. 2 is an elevated front three-quarter perspective view thereof;

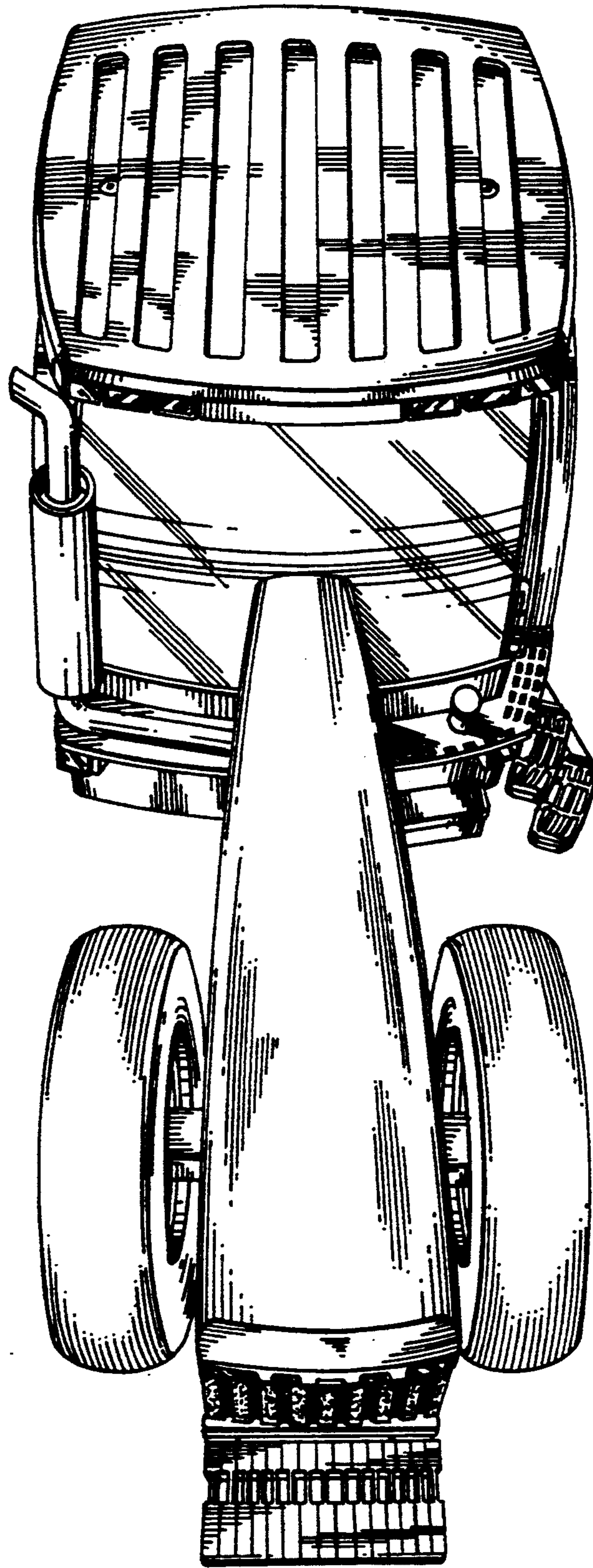
FIG. 3 is a right side elevation thereof;

FIG. 4 is a left side elevation thereof;

FIG. 5 is a rear perspective view thereof; and,

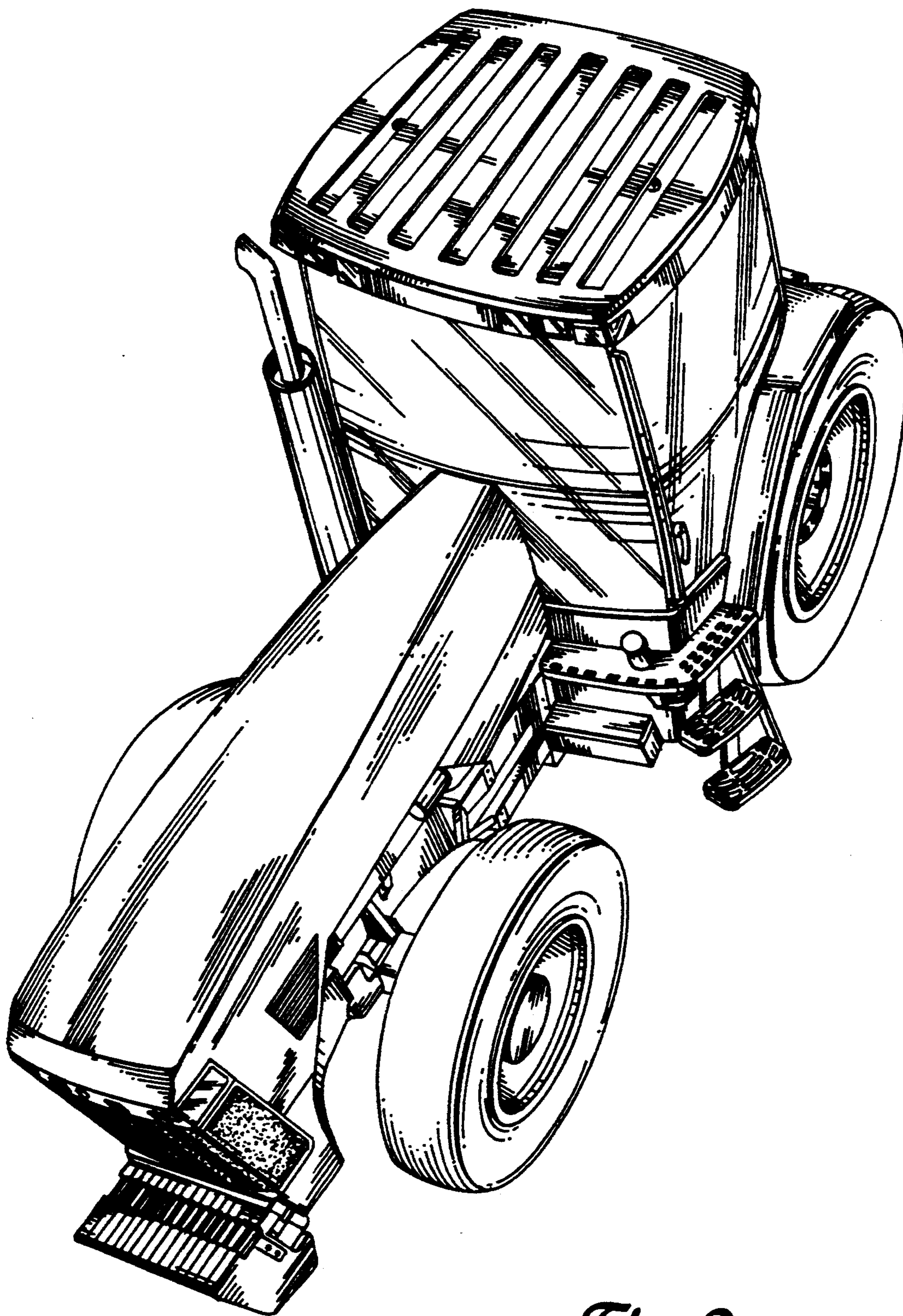
FIG. 6 is a front perspective view thereof.





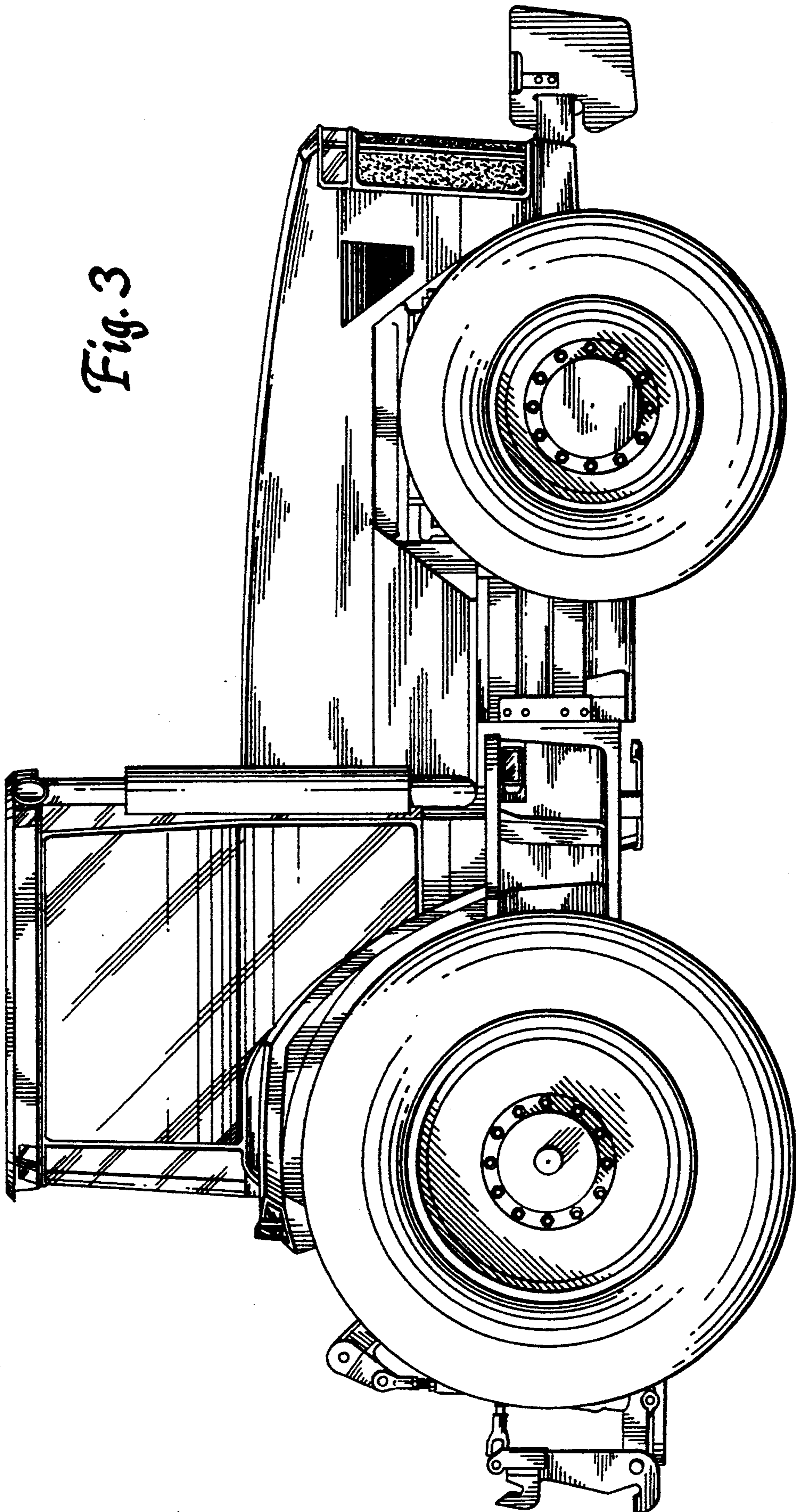
*Fig. 1*





*Fig. 2*

*Fig. 3*





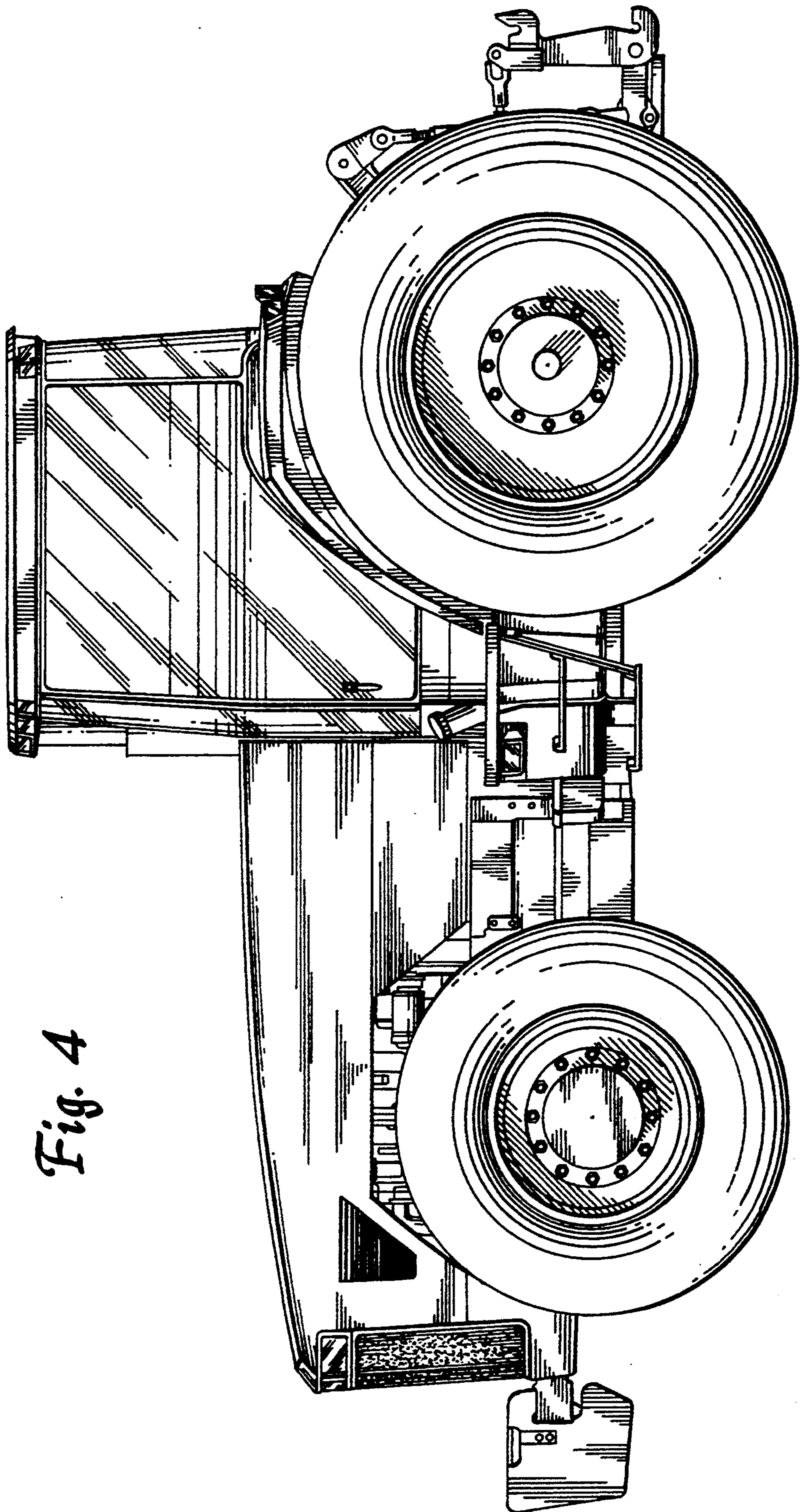
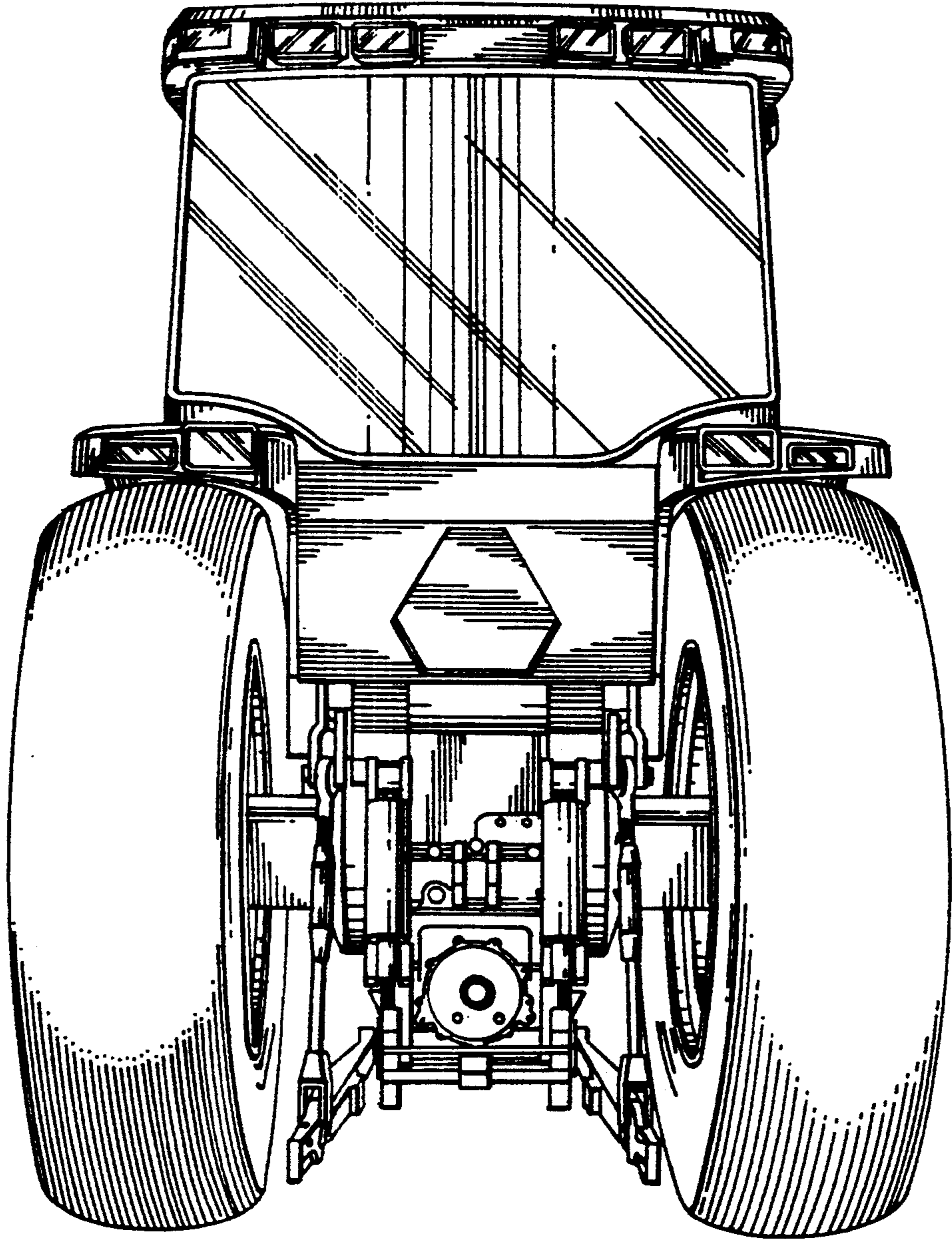
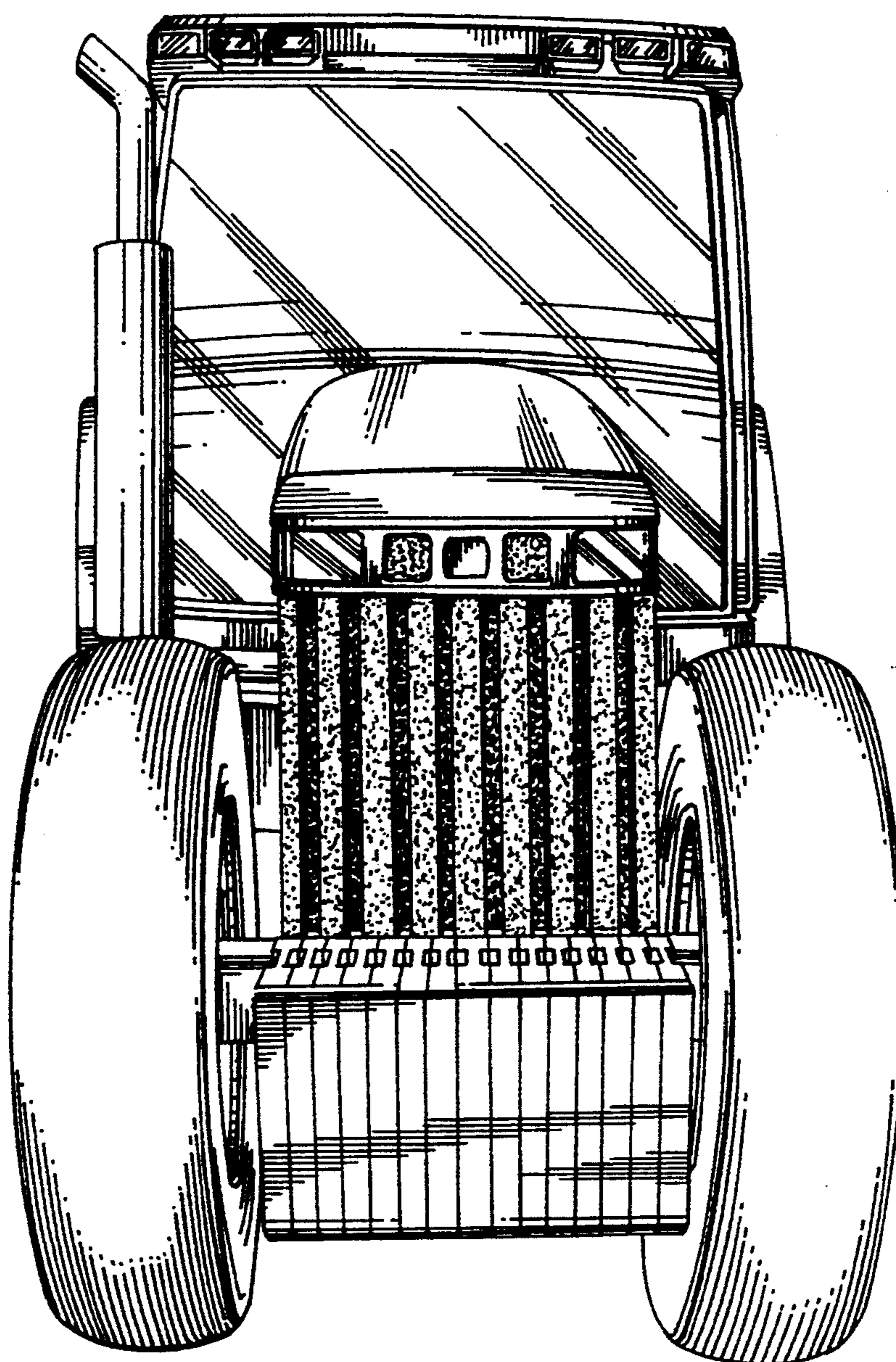


Fig. 4



*Fig. 5*





*Fig. 6*