



US00D355418S

# United States Patent [19]

[11] Patent Number: **Des. 355,418**

Parsey

[45] Date of Patent: **\*\* Feb. 14, 1995**

[54] **POWERED SPEAKER**

*Attorney, Agent, or Firm—Jeffrey J. Brooks*

[75] Inventor: **Timothy Parsey, Palo Alto, Calif.**

[57] **CLAIM**

[73] Assignee: **Apple Computer, Inc., Cupertino, Calif.**

The ornamental design for a powered speaker, as shown and described.

[\*\*] Term: **14 Years**

### DESCRIPTION

[21] Appl. No.: **4,772**

FIG. 1 is a top front and right side perspective view of the powered speaker showing our new design;

[22] Filed: **Feb. 12, 1993**

FIG. 2 is a front elevational view thereof;

[52] U.S. Cl. .... **D14/214**

FIG. 3 is a front elevational view of a second embodiment of the design of FIG. 1, the only difference being the omission of the controls from the front;

[58] Field of Search ..... **D14/204, 210, 213, 214; 181/86, 88, 90, 120, 122, 160, 168**

FIG. 4 is a right side elevational view of FIG. 1, the left side being a mirror image;

[56] **References Cited**

#### U.S. PATENT DOCUMENTS

- D. 162,080 2/1951 Plawczyk ..... D14/214
- D. 251,909 5/1979 Larson ..... D14/214
- D. 306,024 2/1990 Eberbach ..... D14/214
- D. 348,267 6/1994 Yurkonis et al. .... D14/214

FIG. 5 is a right side elevational view of FIG. 3, the left side being a mirror image;

FIG. 6 is a top plan view of FIG. 1;

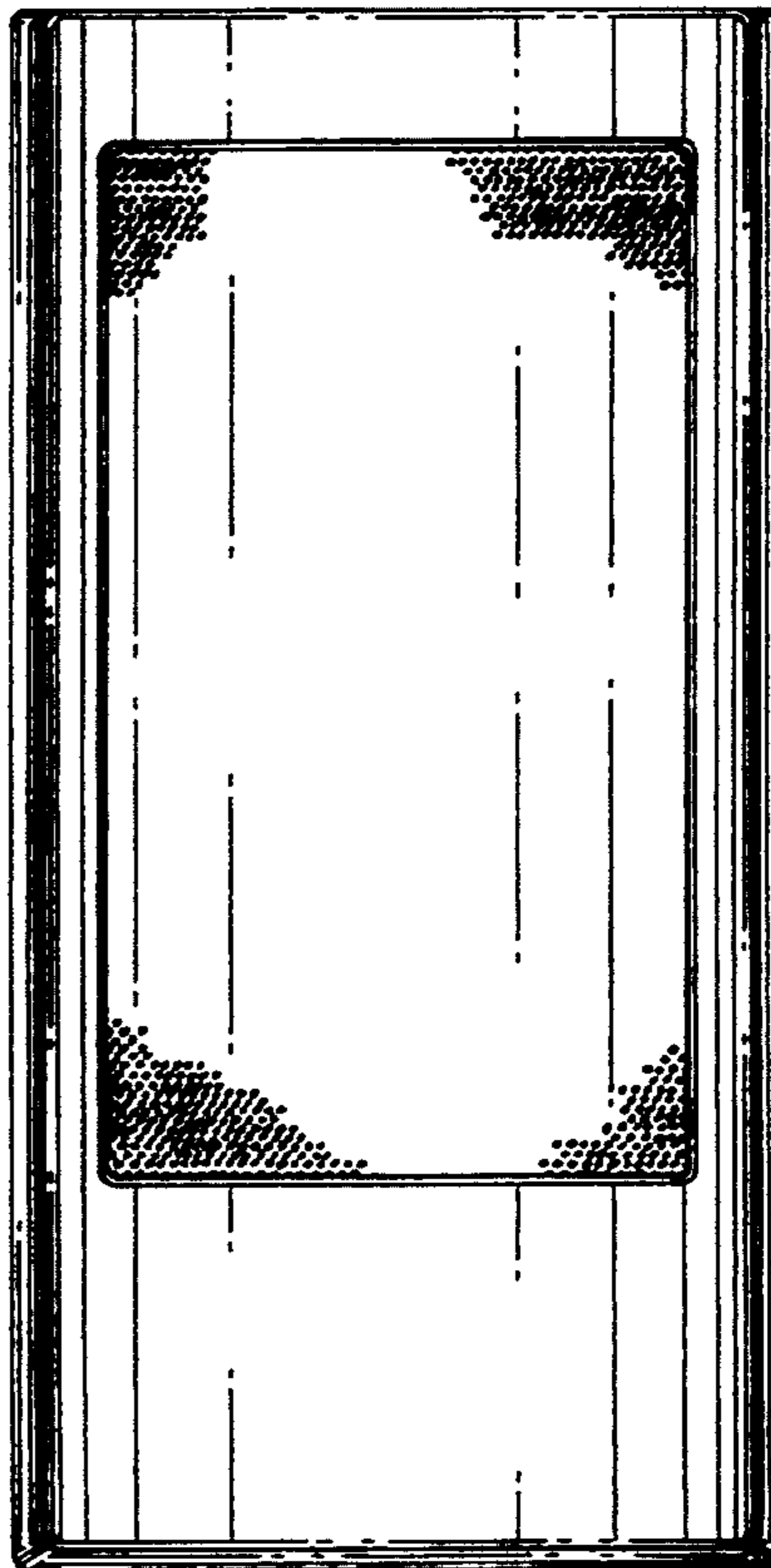
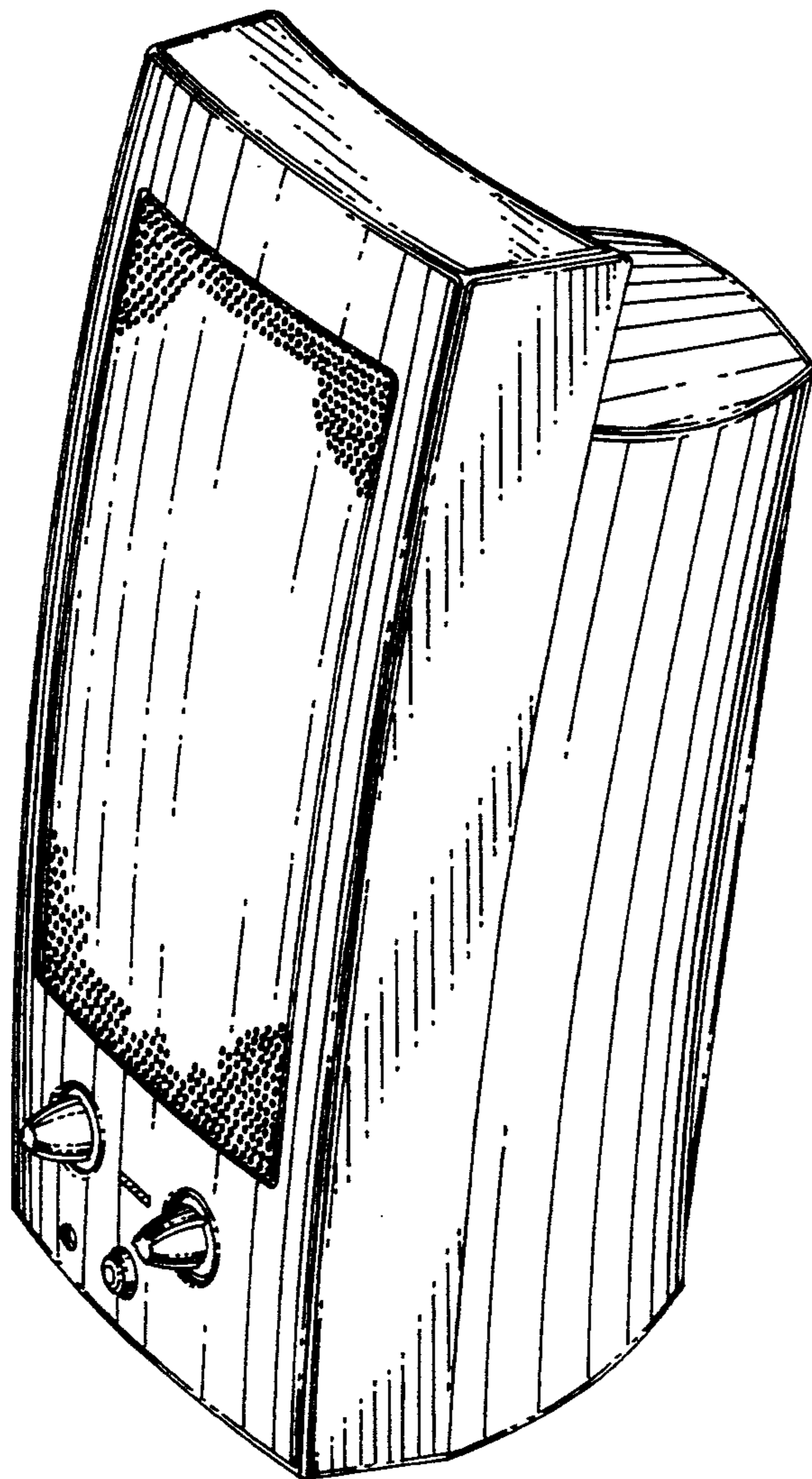
FIG. 7 is a top plan view of FIG. 3;

FIG. 8 is a bottom plan view of FIG. 1;

FIG. 9 is a bottom plan view of FIG. 3; and,

FIG. 10 is a rear elevational view of FIGS. 1 and 3.

*Primary Examiner—B. J. Bullock*



**FIG 1**

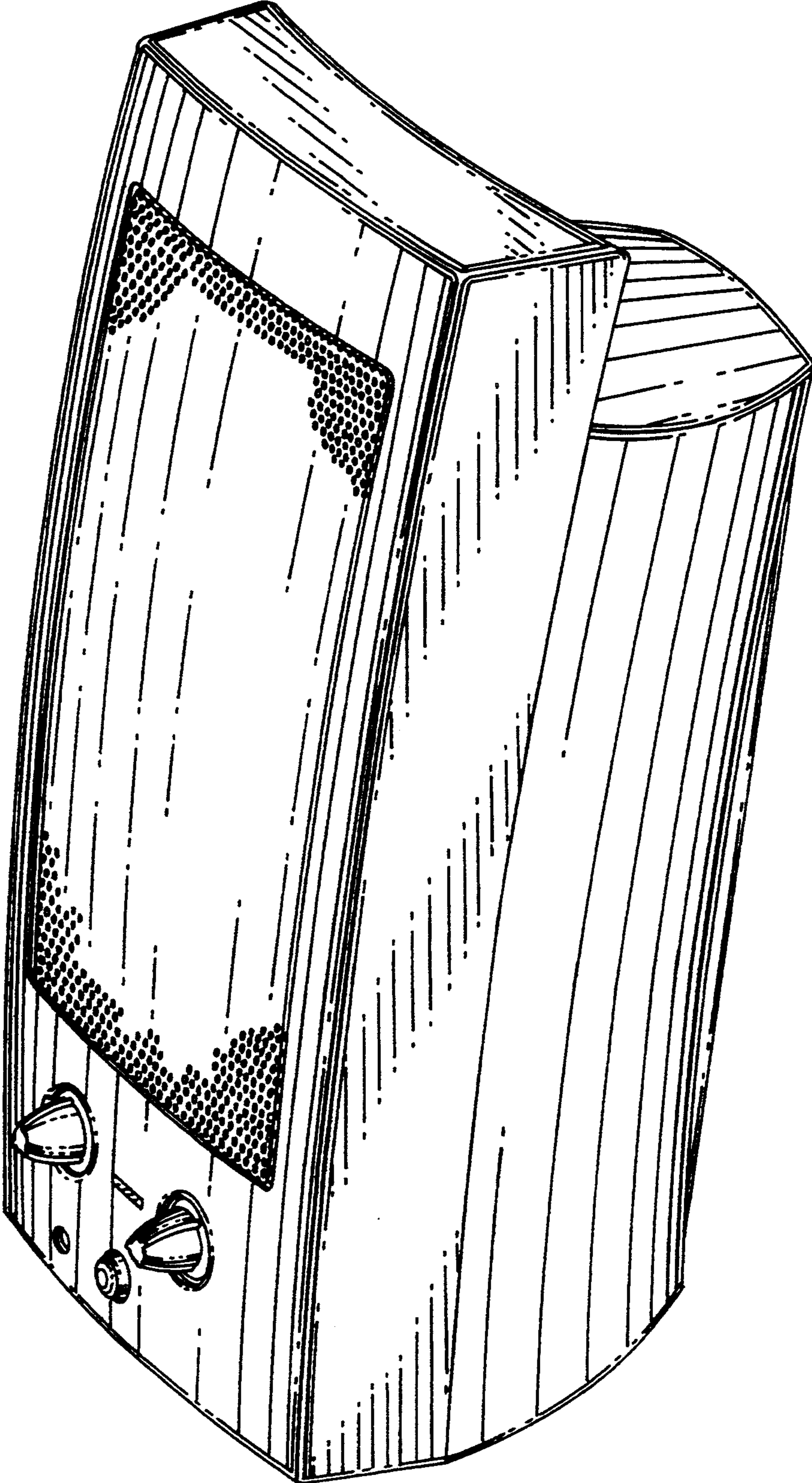


FIG 3

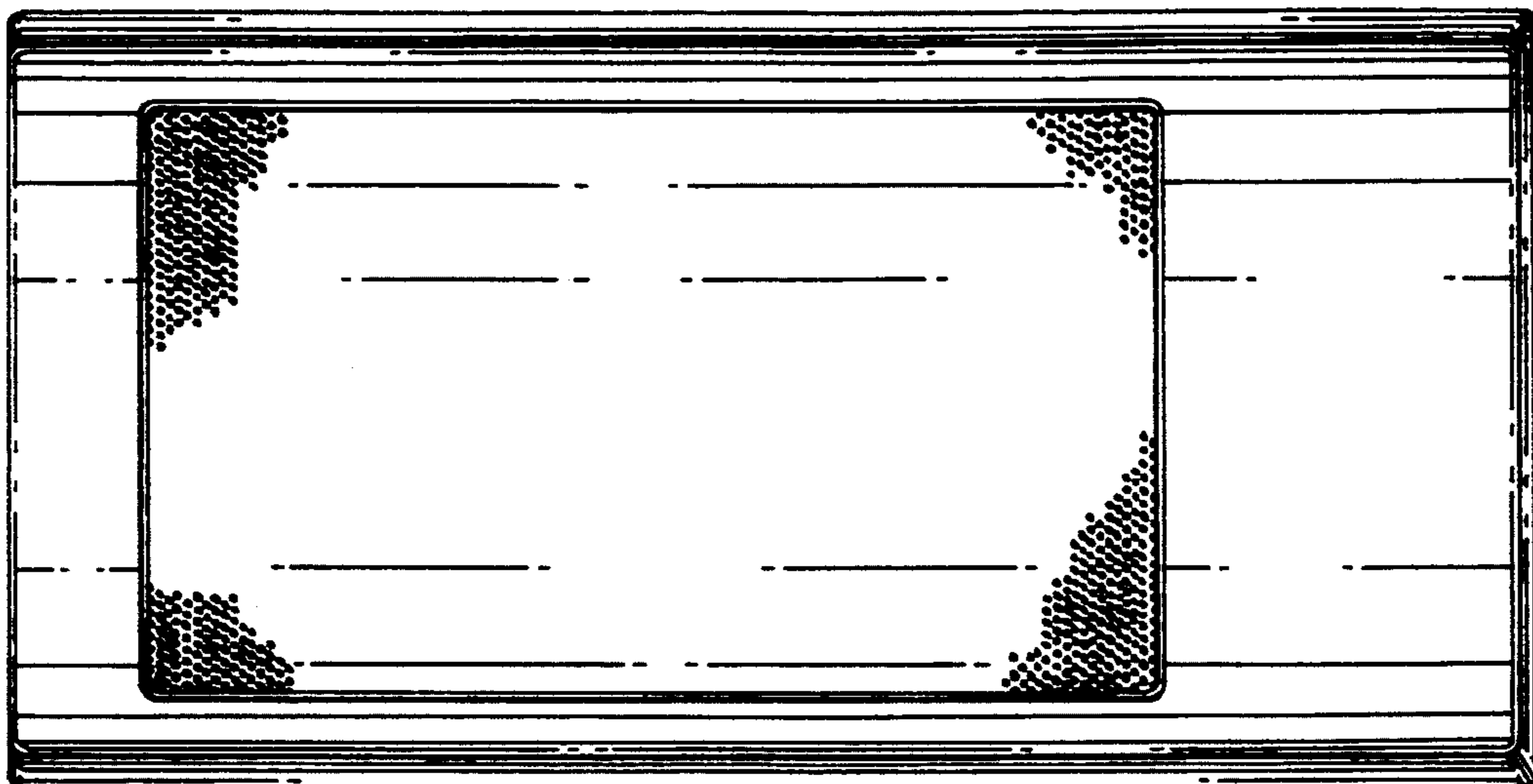


FIG 2

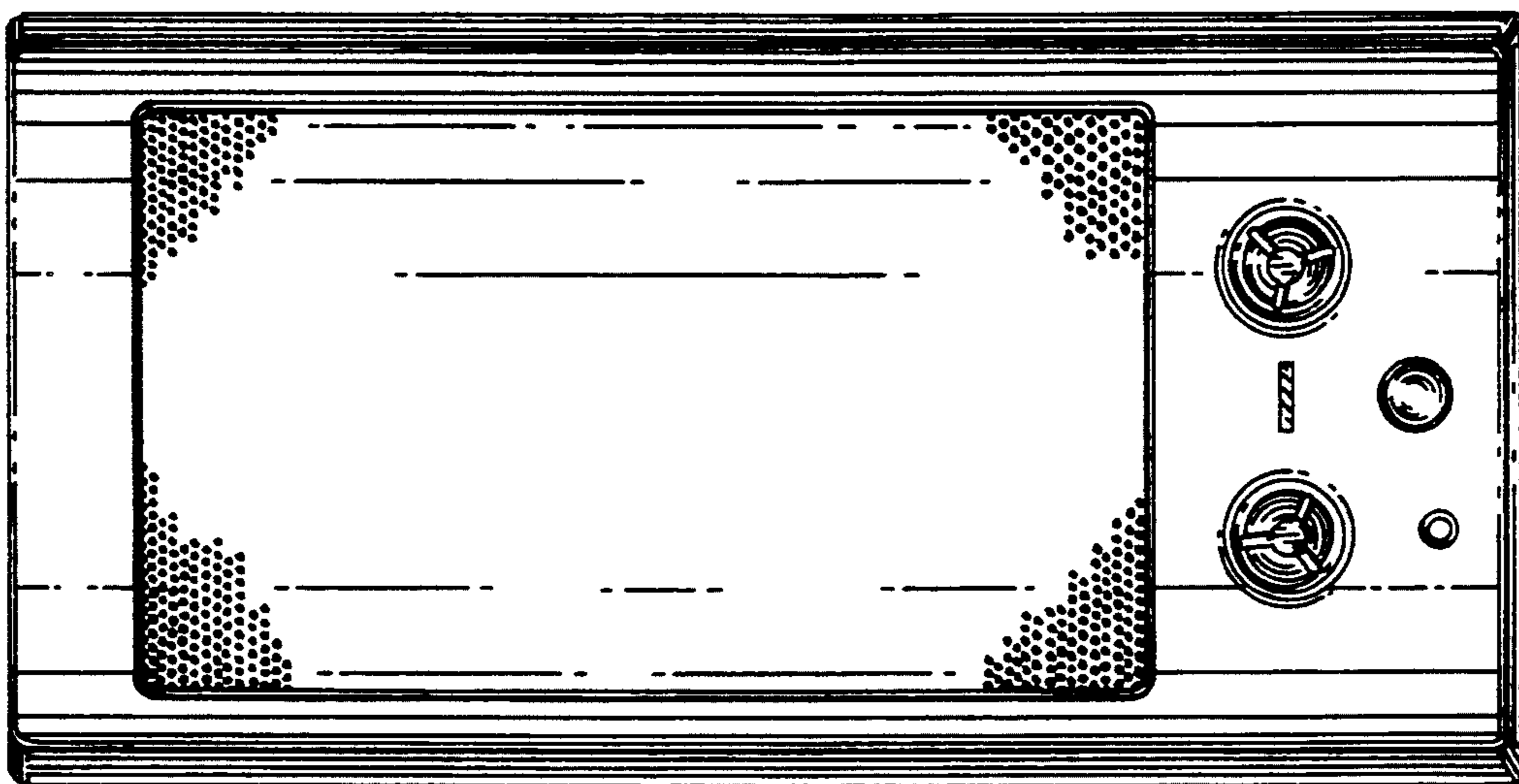


FIG 3

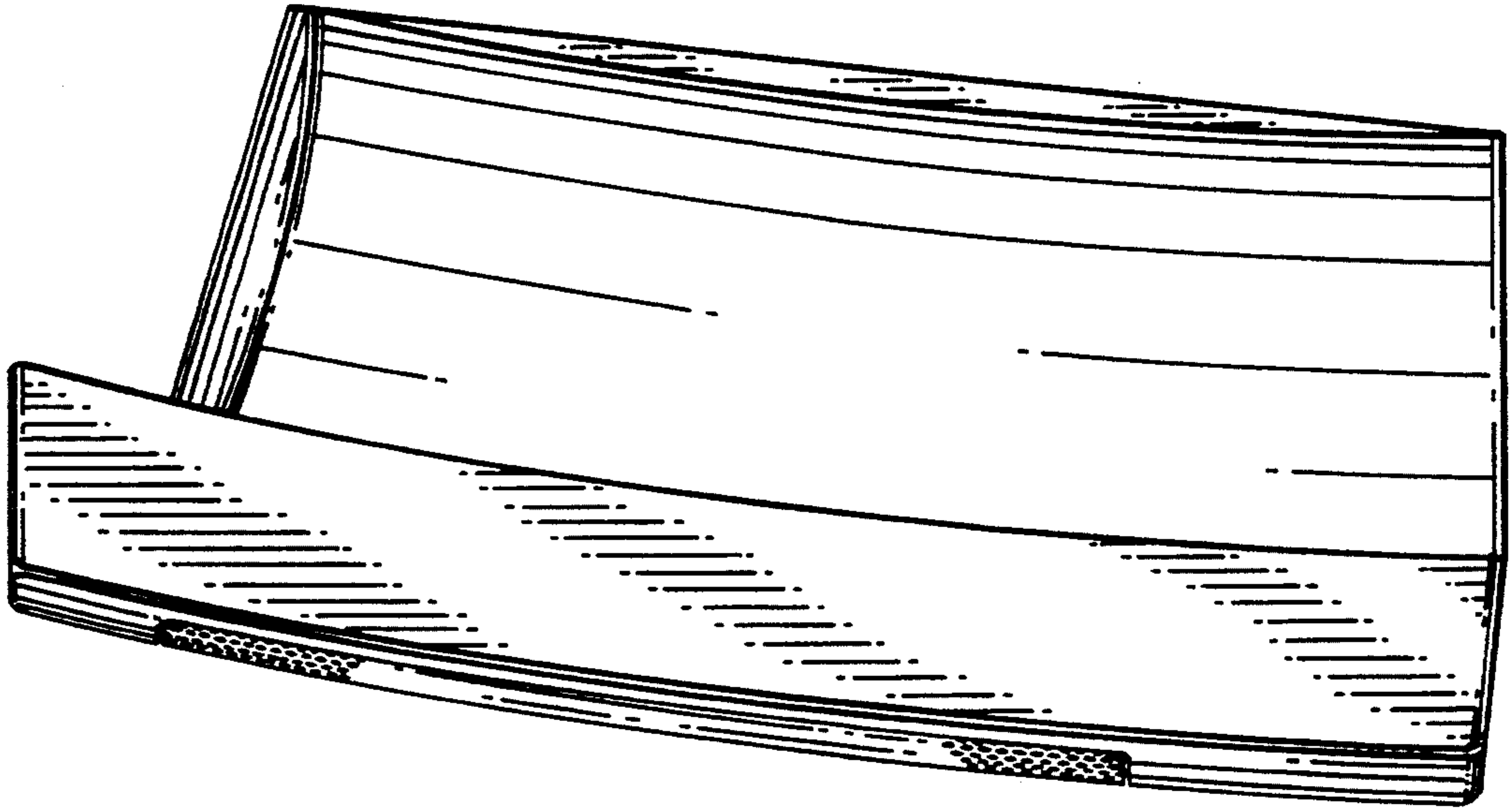


FIG 4

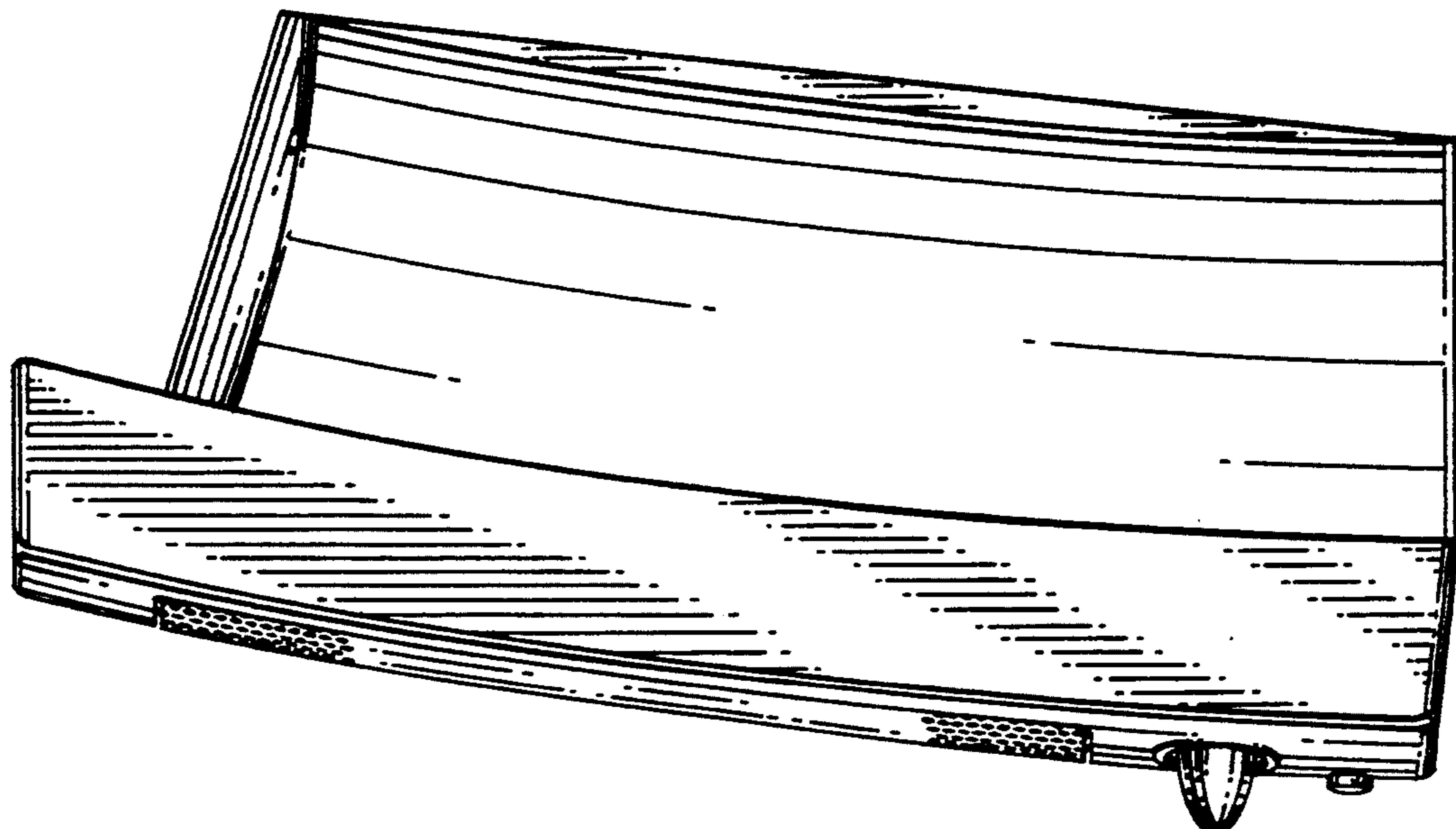


FIG. 7

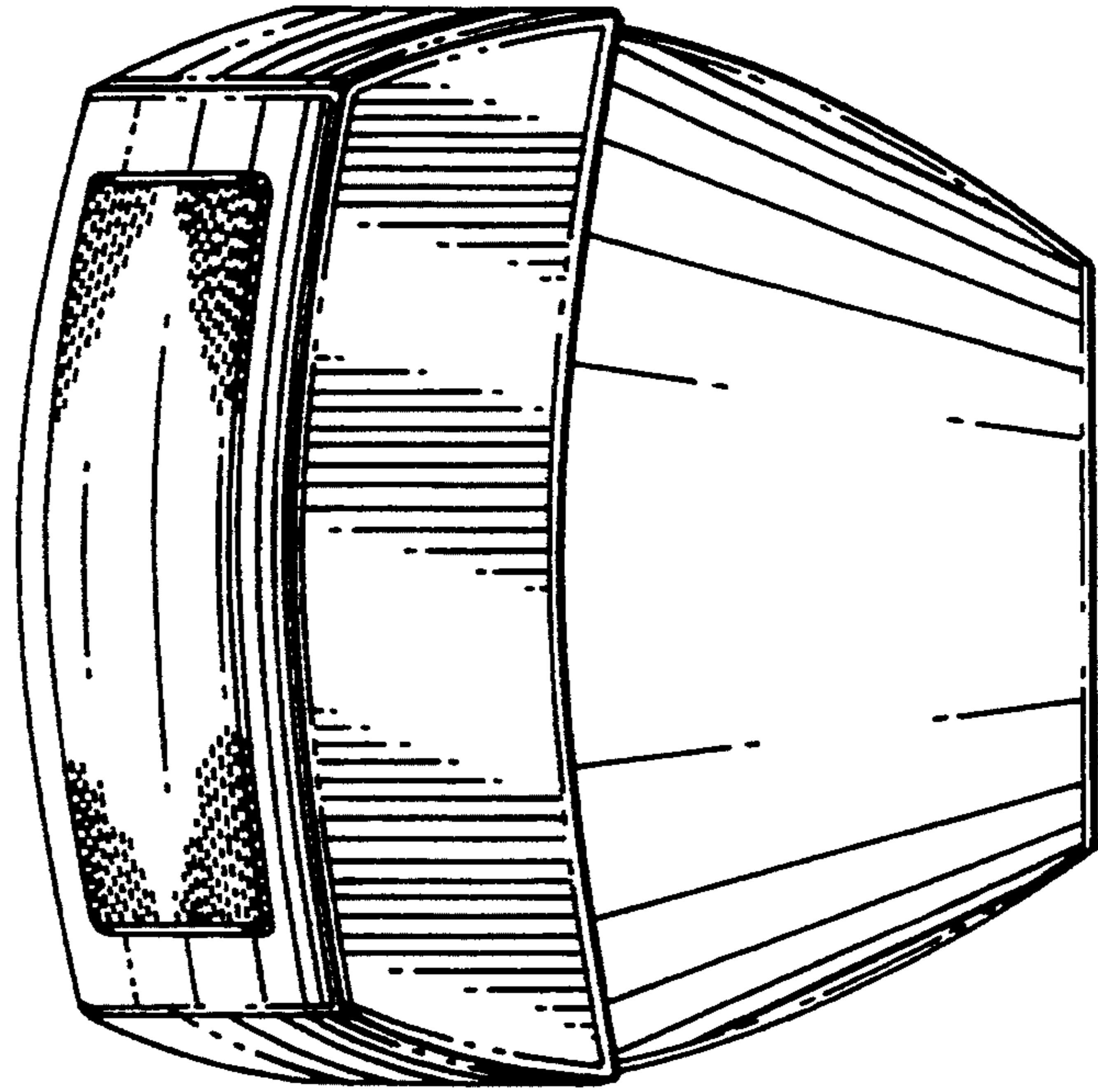
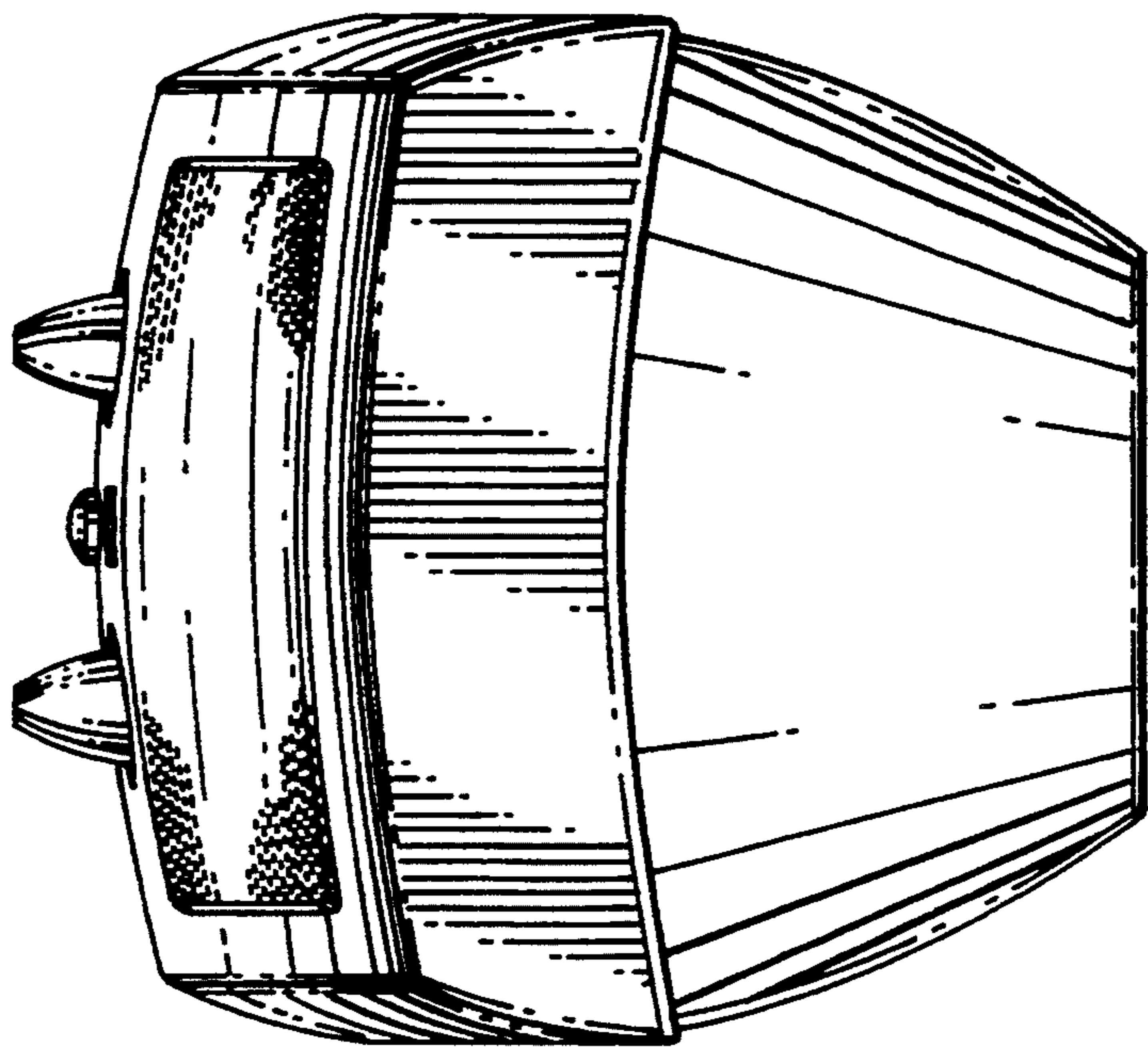
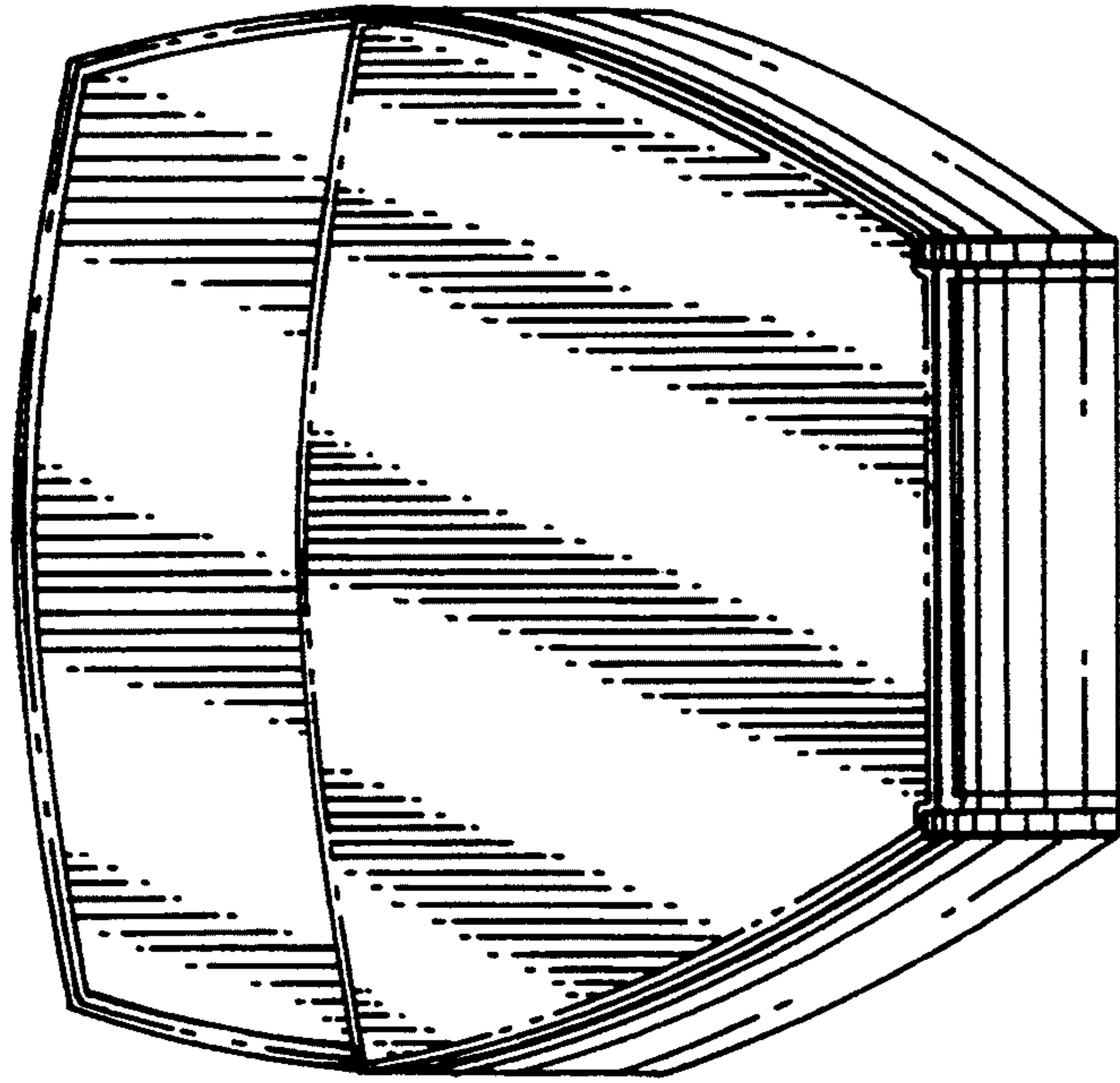


FIG. 8



**FIG. 5**



**FIG. 6**

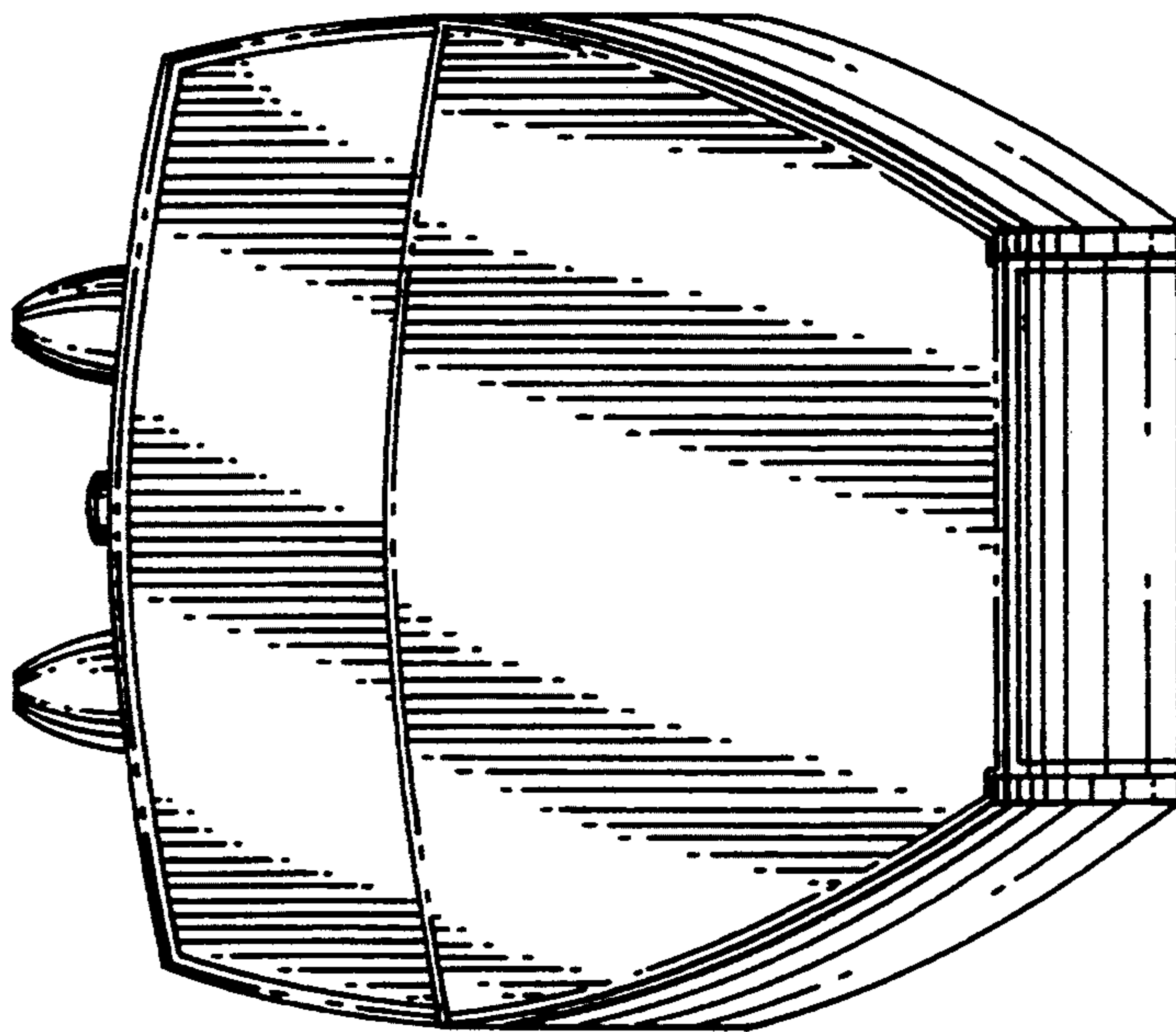


FIG. 10

