



US00D355413S

United States Patent [19]

Masunari

[11] Patent Number: **Des. 355,413**

[45] Date of Patent: **** Feb. 14, 1995**

[54] **MONITOR FOR A COMPUTER**

[75] Inventor: **Kazutoshi Masunari, Kanagawa, Japan**

[73] Assignee: **Matsushita Electric Industrial Co., Ltd., Osaka, Japan**

[**] Term: **14 Years**

[21] Appl. No.: **12,736**

[22] Filed: **Sep. 10, 1993**

[30] **Foreign Application Priority Data**

Mar. 12, 1993 [JP] Japan 5-7226

[52] U.S. Cl. **D14/113**

[58] Field of Search D14/100, 101, 106, 113, D14/124-127; 248/917-924; 345/104, 133, 156, 168, 87, 173, 901-905; 358/249, 254, 255

[56] **References Cited**

U.S. PATENT DOCUMENTS

D. 300,929 5/1989 Satherley D14/113

D. 312,453 11/1990 Oh D14/113
D. 314,952 2/1991 Orchard et al. D14/113
D. 319,821 9/1991 Kawaguchi D14/113
D. 347,001 5/1994 Lee D14/113

Primary Examiner—Freda S. Nunn
Attorney, Agent, or Firm—Sughure, Mion, Zinn, Macpeak & Seas

[57] **CLAIM**

The ornamental design for monitor for a computer, as shown and described.

DESCRIPTION

FIG. 1 is a reduced front top and right side perspective view of a monitor for a computer showing my new design;

FIG. 2 is a front elevational view thereof;

FIG. 3 is a right side elevational view thereof;

FIG. 4 is a left side elevational view thereof;

FIG. 5 is a top plan view thereof;

FIG. 6 is a rear elevational view thereof; and,

FIG. 7 is a bottom plan view thereof.

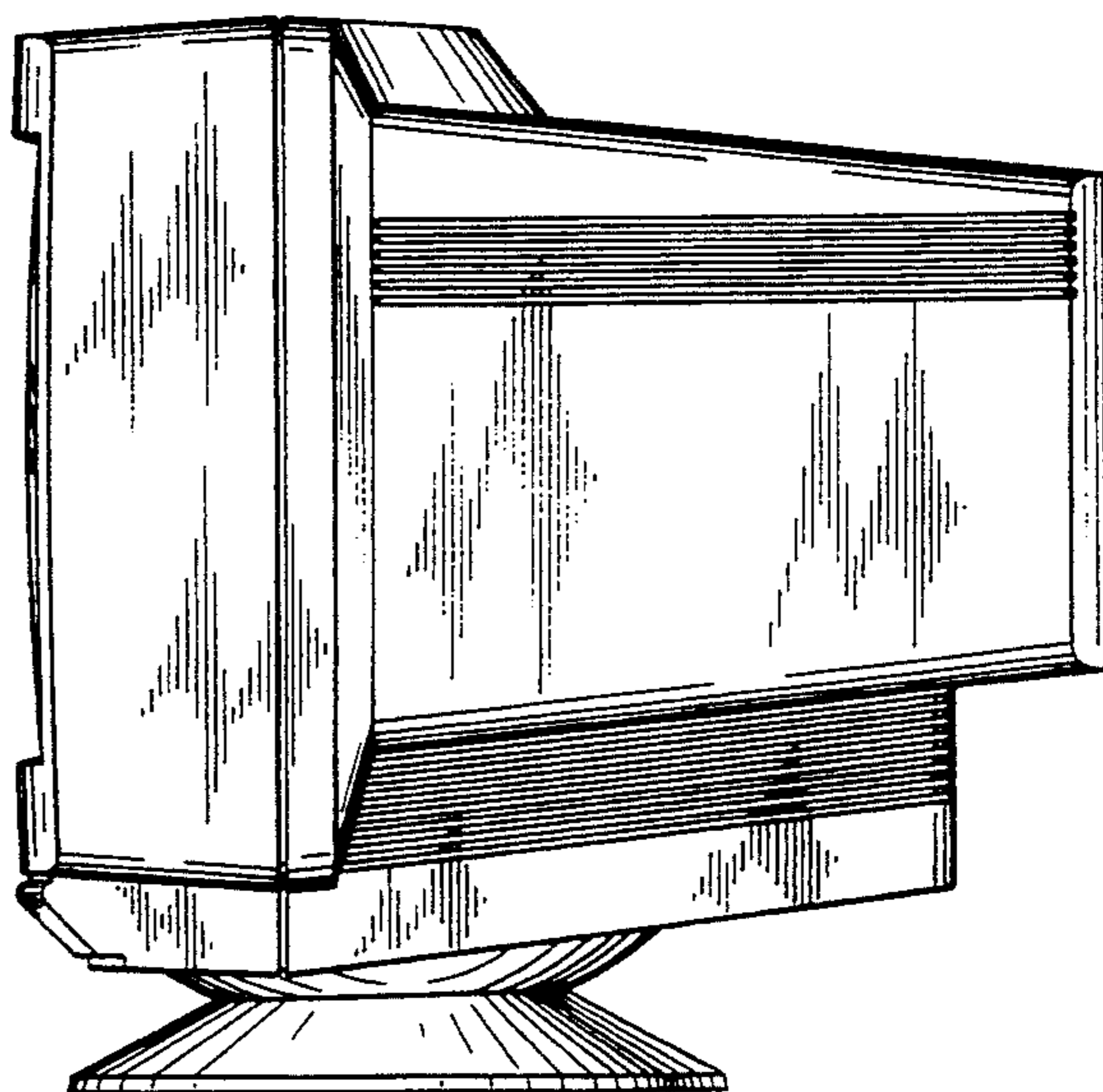
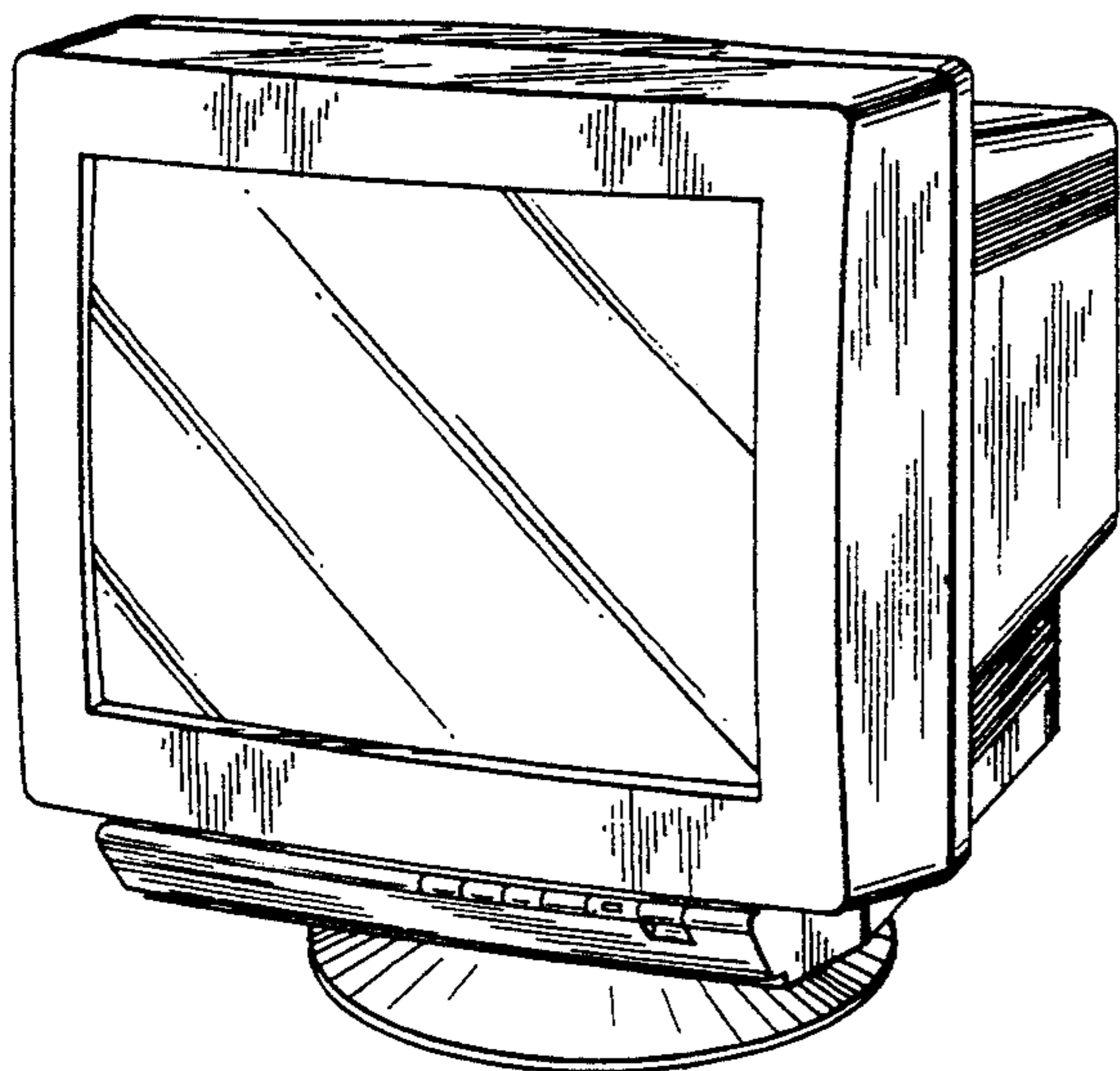


FIG. 1

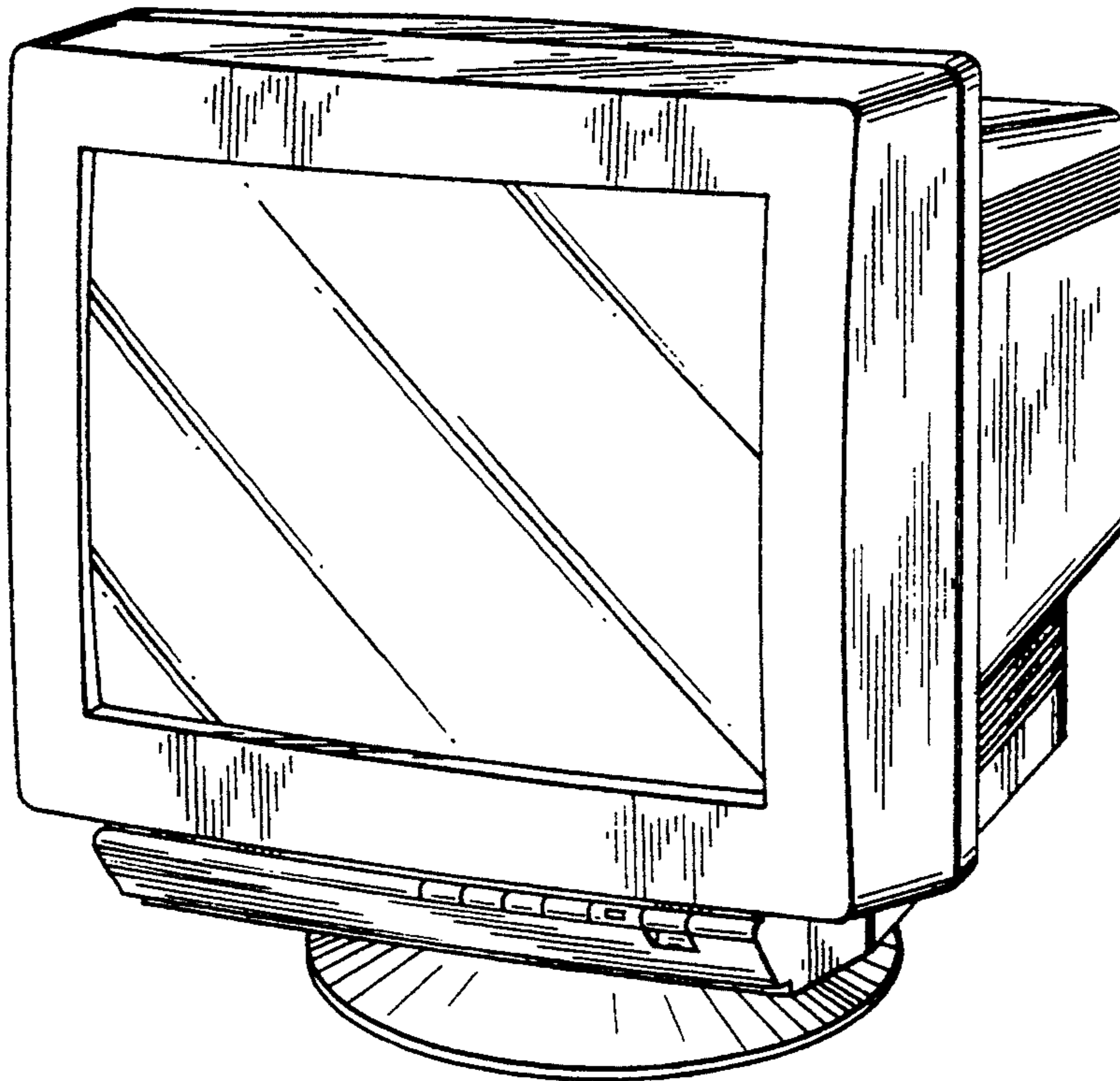


FIG. 2

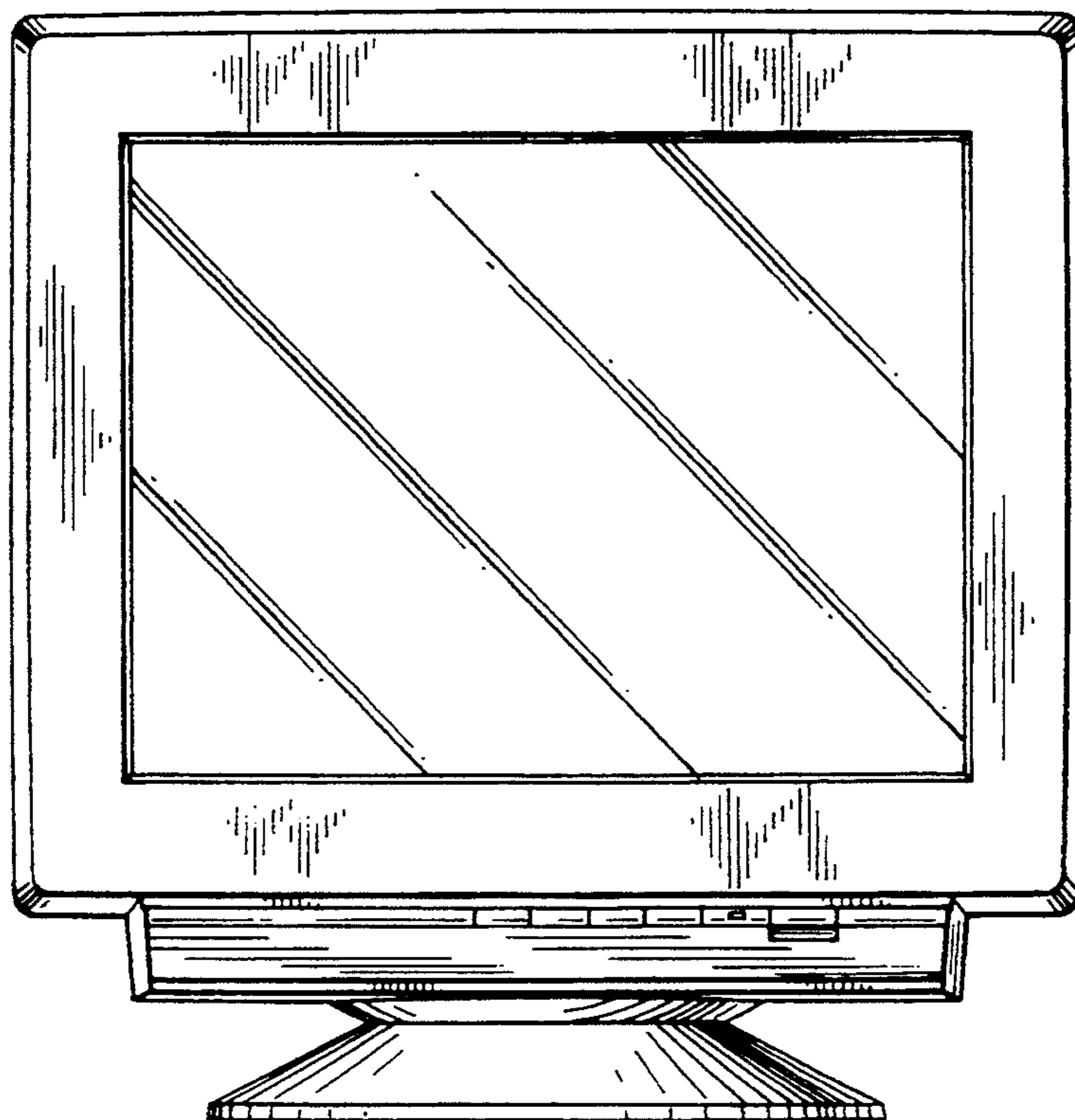


FIG. 3

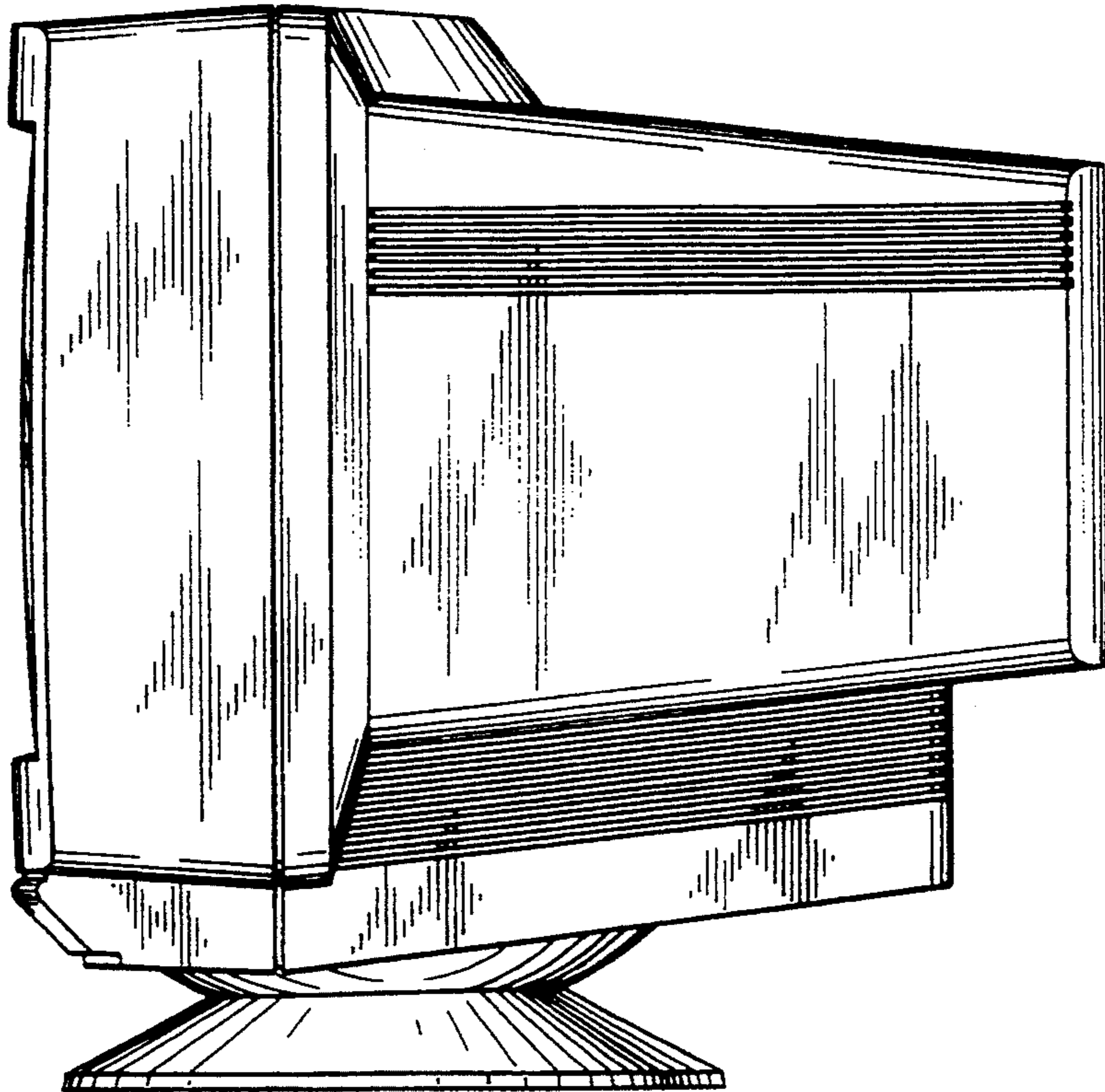


FIG. 4

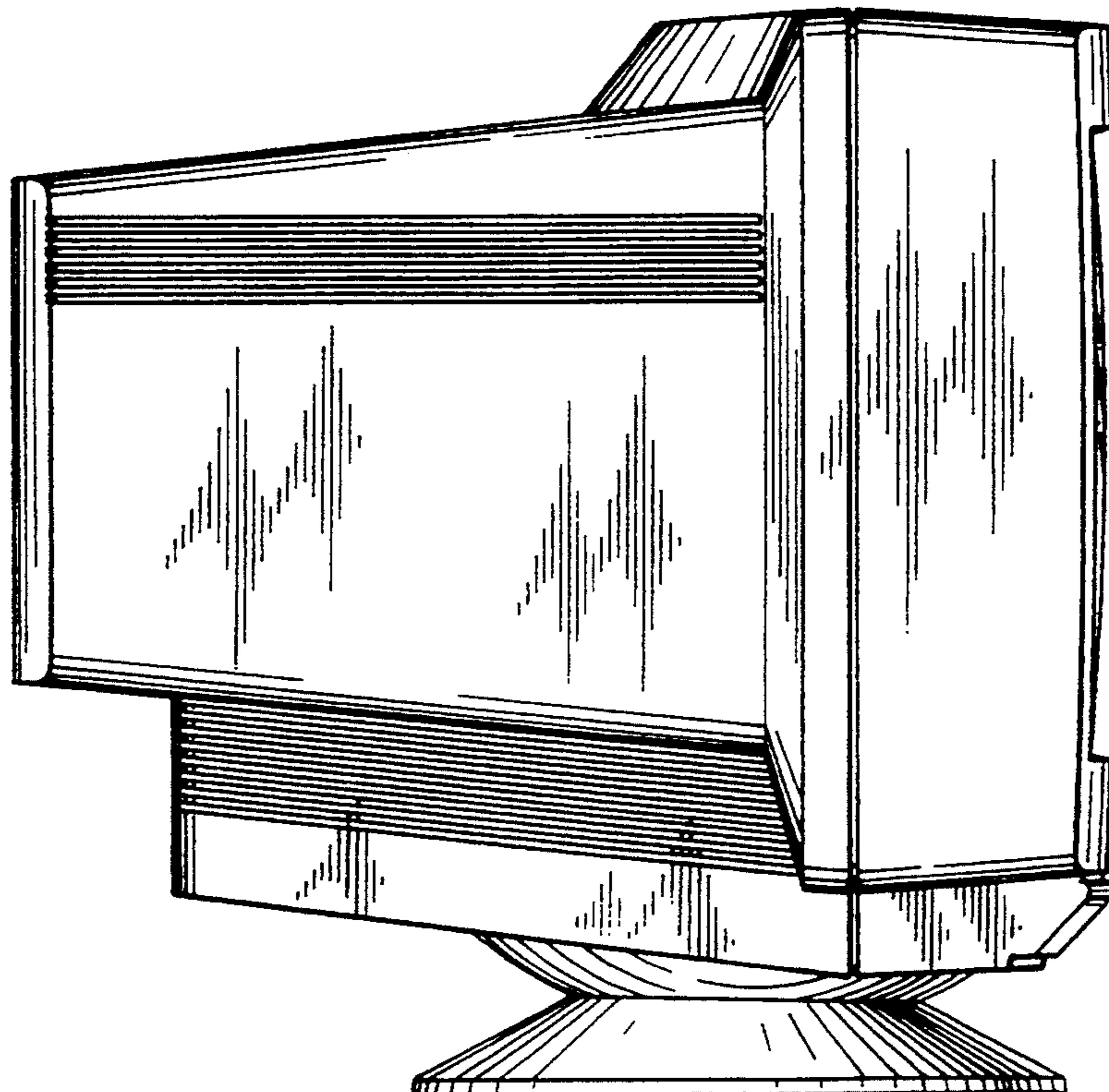


FIG. 5

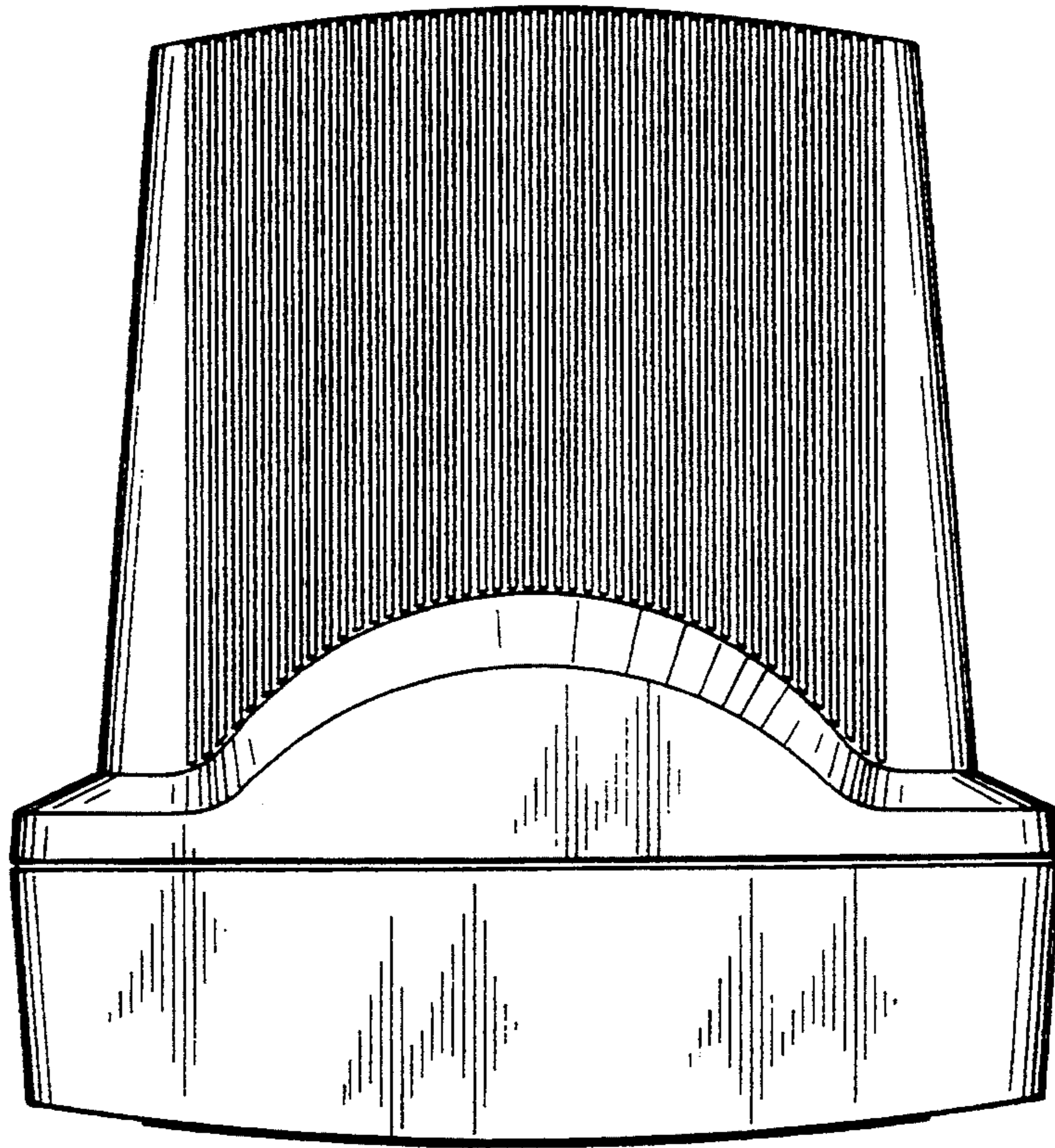


FIG. 6

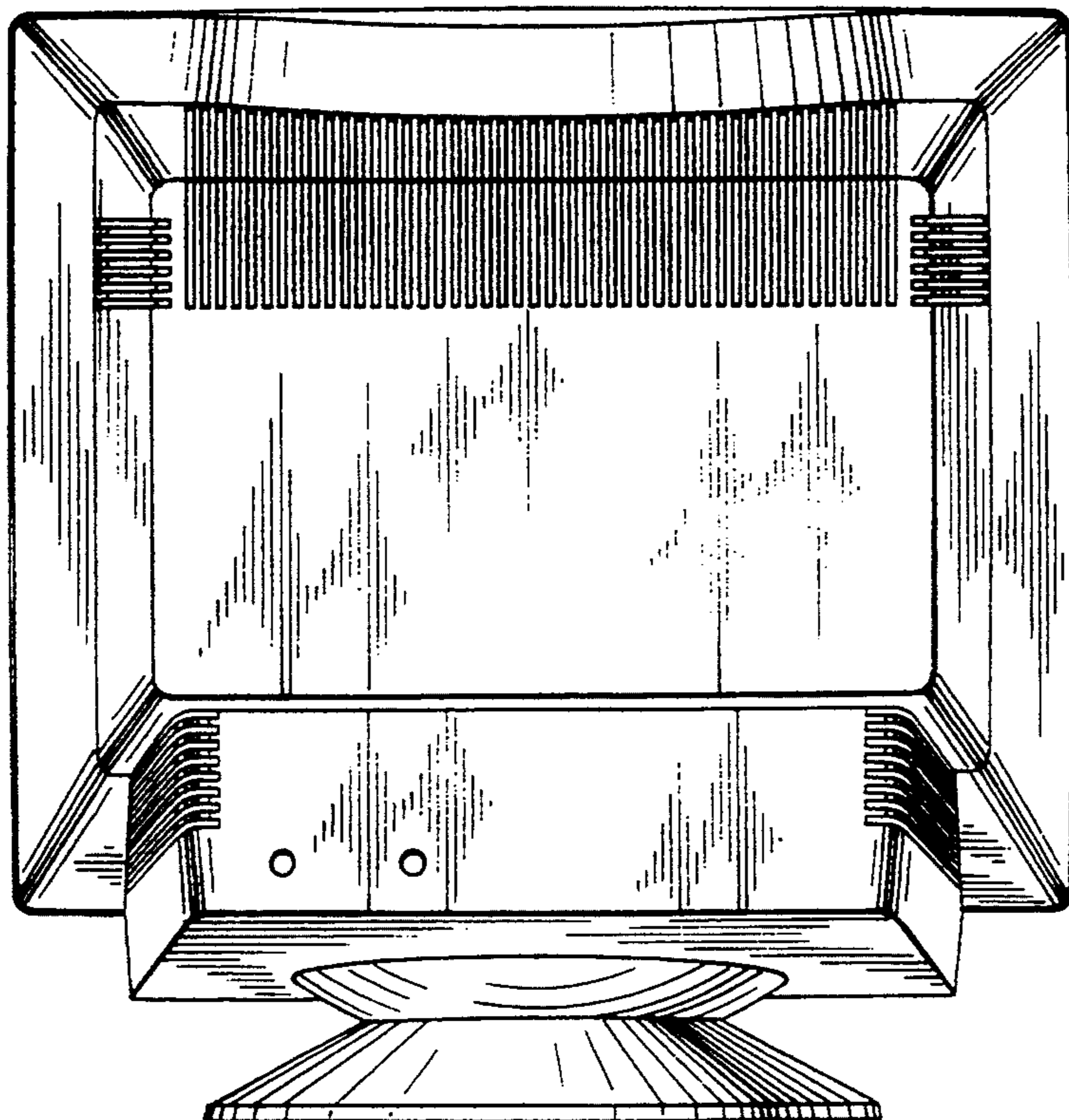


FIG. 7

