



US00D355408S

United States Patent [19]

[11] Patent Number: **Des. 355,408**

Geis et al.

[45] Date of Patent: **** Feb. 14, 1995**

- [54] **LOW PROFILE HOUSING FOR A ROTATABLE ELECTRICAL PLUG**
- [75] Inventors: **Mark Geis, Carmel; Roy J. Schneider, Indianapolis, both of Ind.**
- [73] Assignee: **Woods Industries, Inc., Carmel, Ind.**
- [**] Term: **14 Years**
- [21] Appl. No.: **15,449**
- [22] Filed: **Nov. 17, 1993**
- [52] U.S. Cl. **D13/138**
- [58] Field of Search **D13/137, 138, 141; 439/11, 13, 18, 21, 106, 446, 449, 474, 483, 484, 606, 692, 694**

3,950,069 4/1976 Wiley 439/694
 3,975,075 8/1976 Mason 439/694 X
 4,026,618 5/1977 Straka 439/21

FOREIGN PATENT DOCUMENTS

809921 8/1951 Germany 439/692
 545620 12/1957 Italy 439/106
 275317 8/1951 Switzerland 439/692
 571472 8/1945 United Kingdom 439/692

Primary Examiner—Joel Sincavage
Attorney, Agent, or Firm—McAndrews, Held & Malloy

[57] CLAIM

The ornamental design for the low profile housing for a rotatable electrical plug, as shown and described.

DESCRIPTION

FIG. 1 is a bottom perspective view of a low profile housing for a rotatable electrical plug;
 FIG. 2 is a top perspective view of the low profile housing of FIG. 1;
 FIG. 3 is a top view of the low profile housing of FIG. 1;
 FIG. 4 is a side view of the low profile housing of FIG. 1;
 FIG. 5 is a bottom view of the low profile housing of FIG. 1;
 FIG. 6 is front view of the low profile housing of FIG. 1; and,
 FIG. 7 is a rear view of the low profile housing of FIG. 1.
 The broken line showing is included for the purpose of illustrating environmental structure only and forms no part of the claimed design.

[56] References Cited

U.S. PATENT DOCUMENTS

D. 279,893	7/1985	Tantillo et al.	D13/133
1,572,563	2/1926	Secretan	439/484
1,749,623	3/1930	Zinman	439/484
1,778,550	10/1930	Conner	439/483 X
1,845,793	2/1932	Ireland	439/484
1,846,251	2/1932	Donahue	439/694
1,978,805	10/1934	McCloy et al.	439/599
1,984,181	12/1934	French	439/694
2,027,447	1/1936	Percy	439/694
2,301,258	11/1942	Corlew	439/694
2,564,159	8/1951	Greacen, Jr.	439/456 X
2,869,102	1/1959	Hubbell, Jr.	439/447
3,335,395	8/1967	Smith	439/694
3,362,006	1/1968	Fuller	439/446 X
3,474,376	10/1969	Preiss	439/31
3,718,890	2/1973	Sheldon	439/694 X
3,747,049	7/1973	Cressman et al.	439/694 X

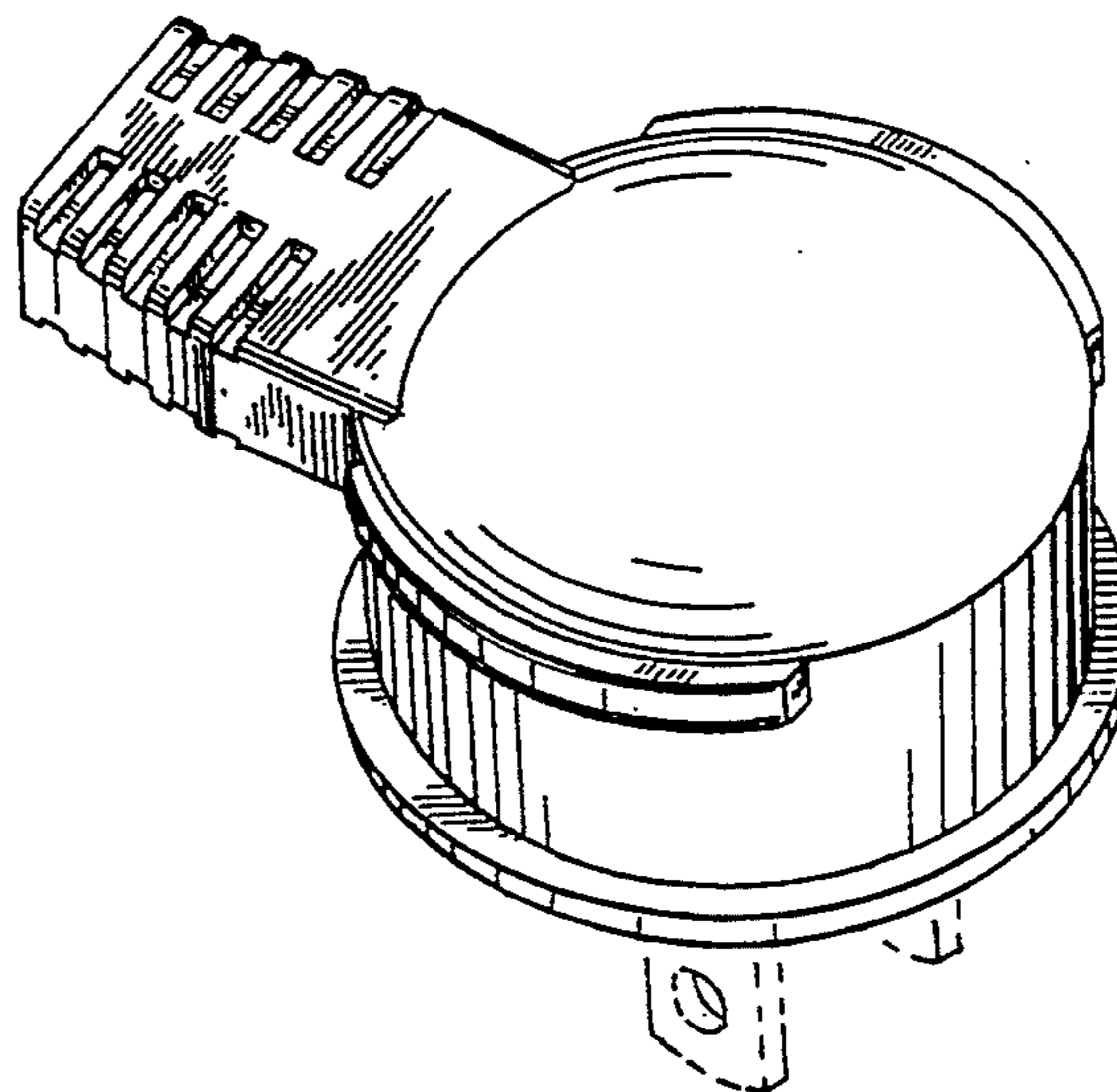
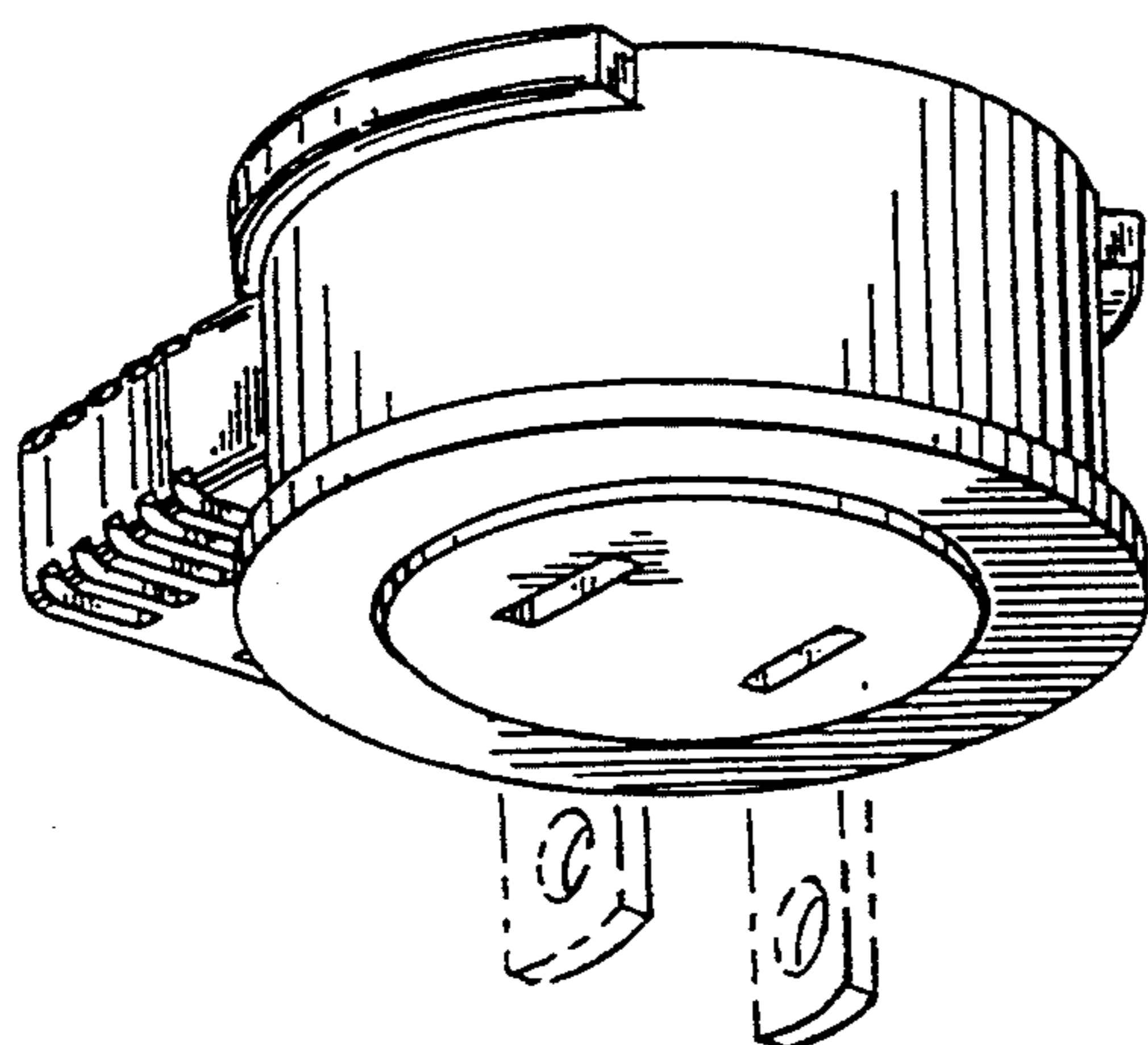


Fig. 1

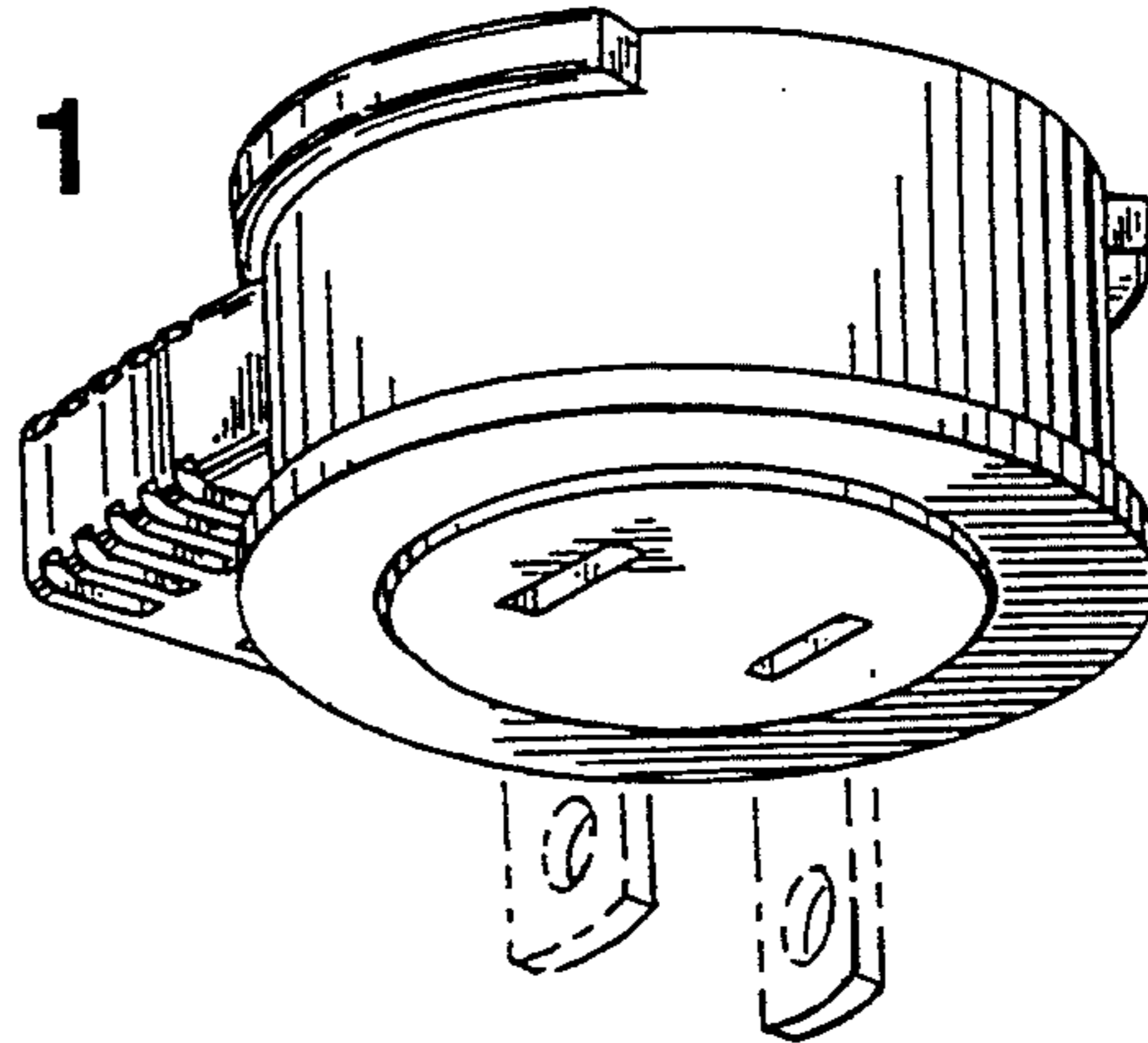


Fig. 2

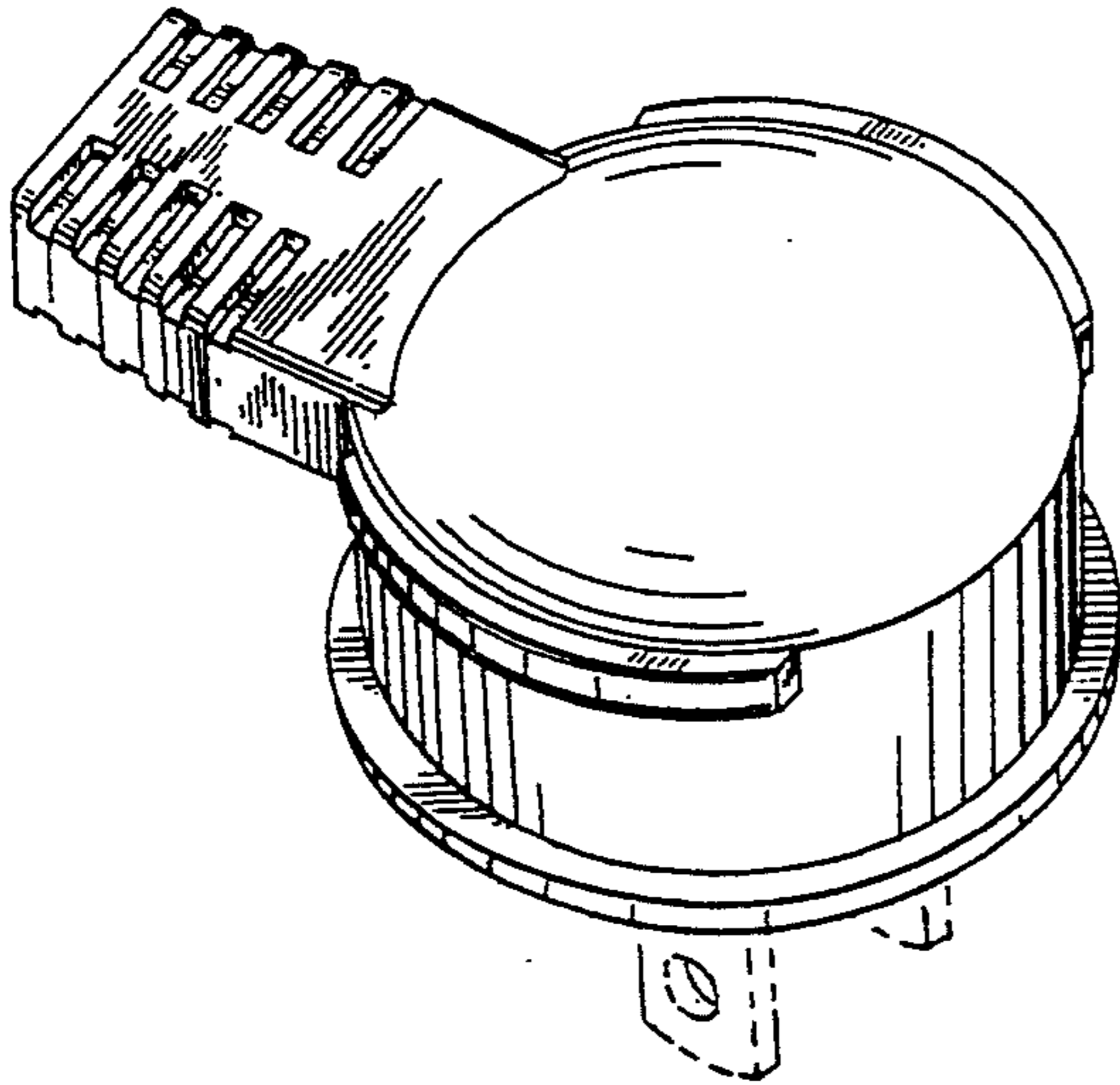


Fig. 3

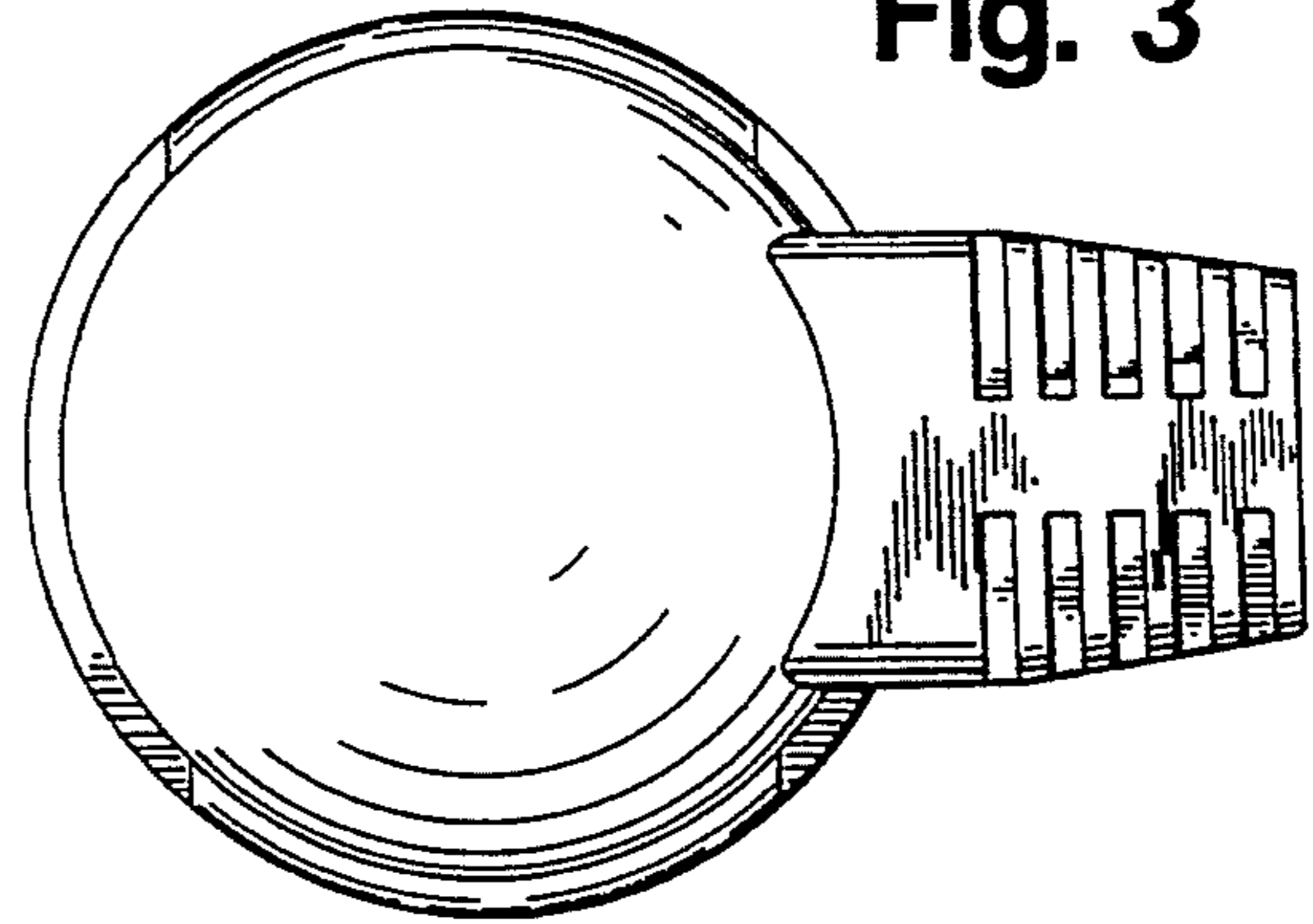


Fig. 6

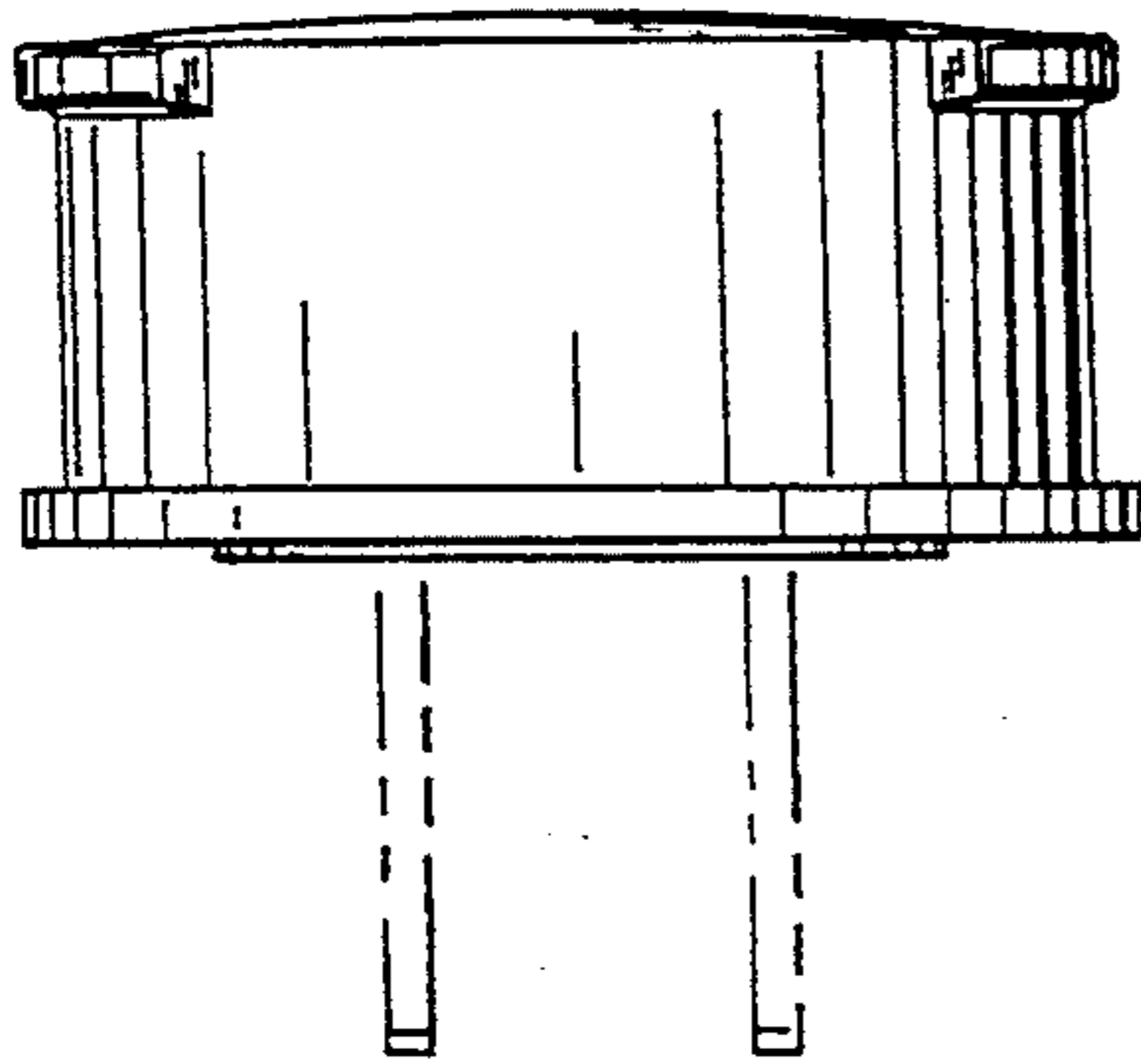


Fig. 4

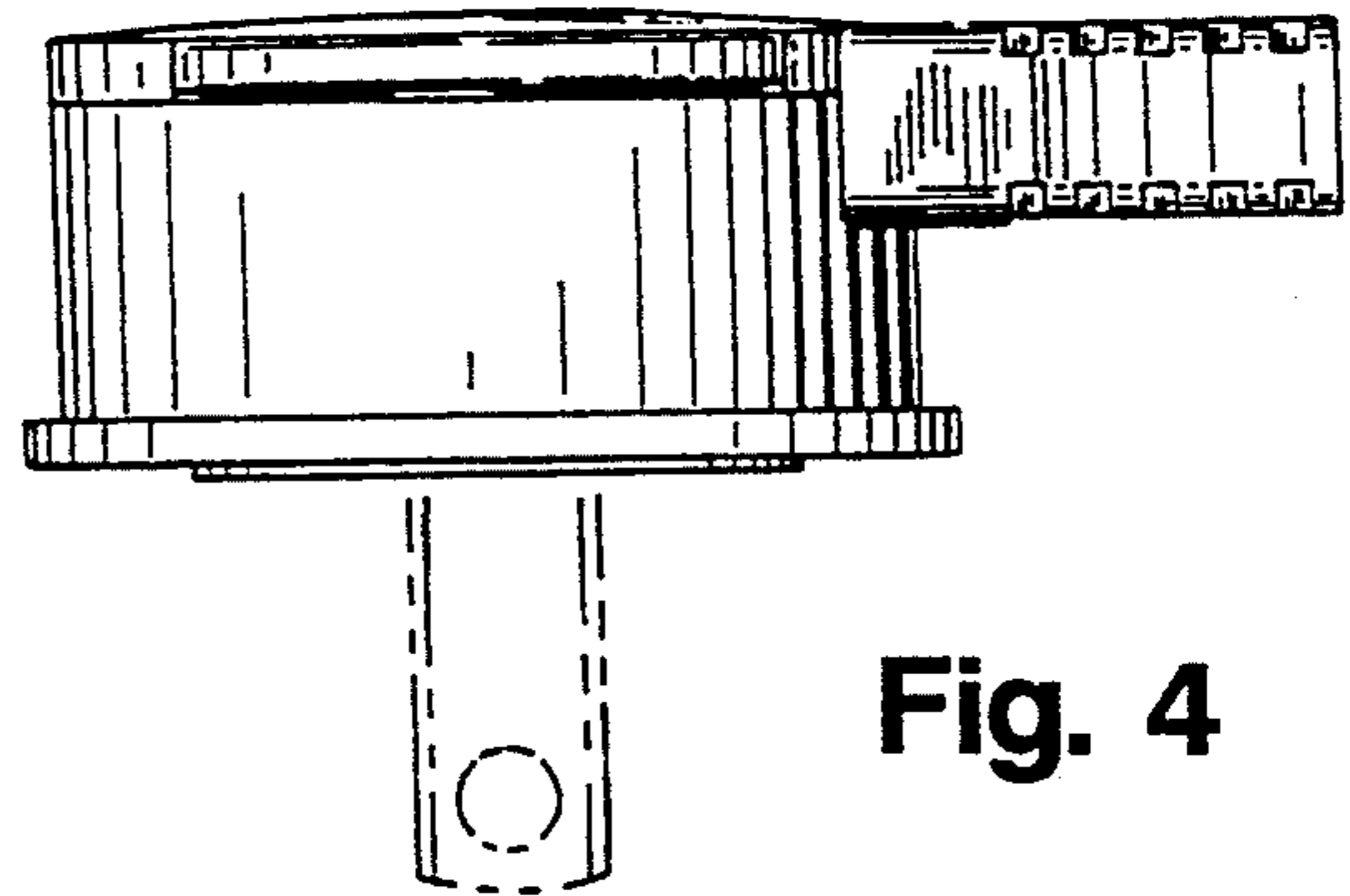


Fig. 7

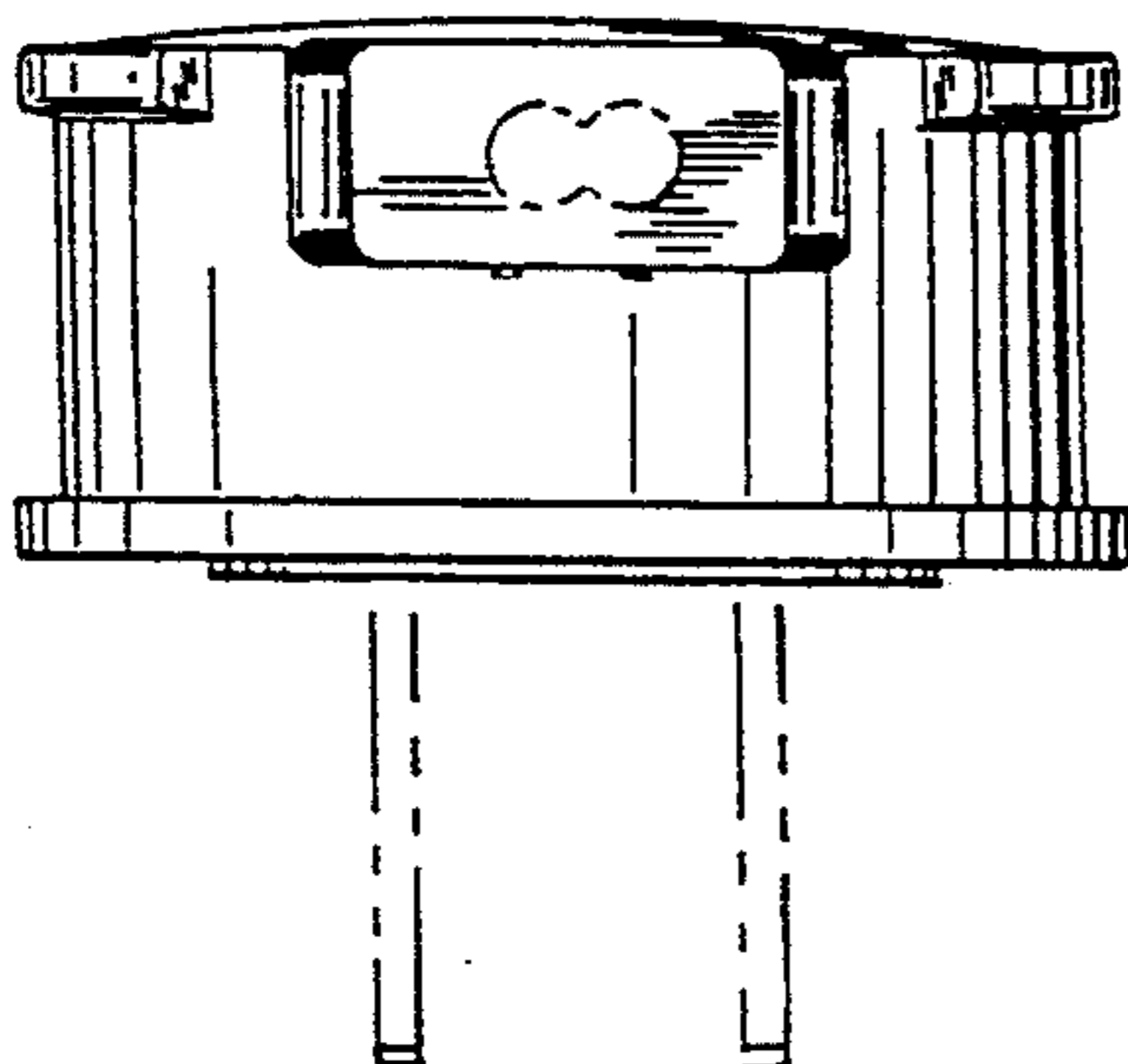


Fig. 5

