



US00D355407S

United States Patent [19]

[11] Patent Number: **Des. 355,407**

Capper et al.

[45] Date of Patent: **** Feb. 14, 1995**

[54] **ELECTRICAL CONNECTOR MODULE FOR TELEPHONE CABLE CONDUCTORS**

[75] Inventors: **Harry M. Capper**, Harrisburg; **James W. Robertson**, Oberlin, both of Pa.

[73] Assignee: **The Whitaker Corporation**, Wilmington, Del.

[**] Term: **14 Years**

[21] Appl. No.: **8,166**

[22] Filed: **May 7, 1993**

[52] U.S. Cl. **D13/133**

[58] Field of Search **D13/133, 146, 147, 149, D13/151; 439/395, 409; 379/325, 326, 397, 399**

[56] **References Cited**

U.S. PATENT DOCUMENTS

3,869,189	3/1975	McCurdy	339/96
4,186,984	2/1980	Reavis, Jr. et al.	339/103 R
4,624,518	11/1986	Seidel	339/97 P
4,705,340	11/1987	Loose	439/395
4,795,363	1/1989	Scherer et al.	439/395
4,795,364	1/1989	Frantum, Jr. et al.	439/407
5,006,077	4/1991	Loose et al.	439/409
5,090,917	2/1992	Noorily et al.	439/395
5,219,302	6/1993	Robertson et al.	439/404

OTHER PUBLICATIONS

Joslyn Technical Data, two pages, Mar. 1990, Joslyn Electronics.

AMP Catalog 82257, 6 pages, AMP Incorporated, Sep. 1991.

Ser. No. 07/880,449 filed May 8, 1992, Capper et al. (Abstract & Drawings).

Primary Examiner—Wallace R. Burke

Assistant Examiner—Joel Sincavage

Attorney, Agent, or Firm—Anton P. Ness

[57] CLAIM

The ornamental design for electrical connector module for telephone cable conductors, as shown and described.

DESCRIPTION

FIG. 1 is a front perspective view of the electrical connector module for telephone cable conductors from above thereof;

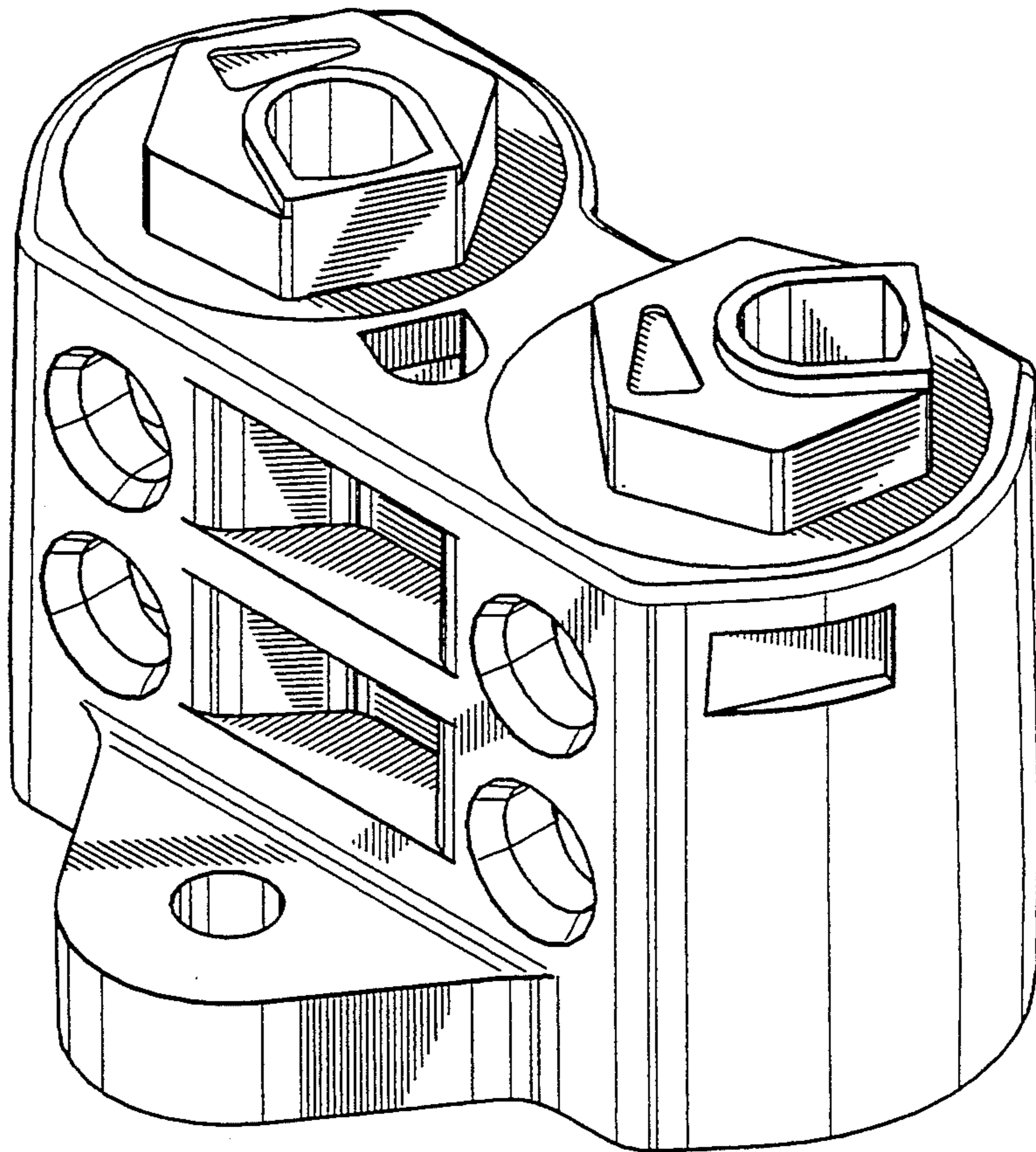
FIG. 2 is a top plan view thereof;

FIG. 3 is a front elevational view thereof;

FIG. 4 is a rear perspective view thereof from above thereof;

FIGS. 5 and 6 are right and left side elevational views thereof, respectively; and,

FIG. 7 is a front perspective view thereof from below thereof.



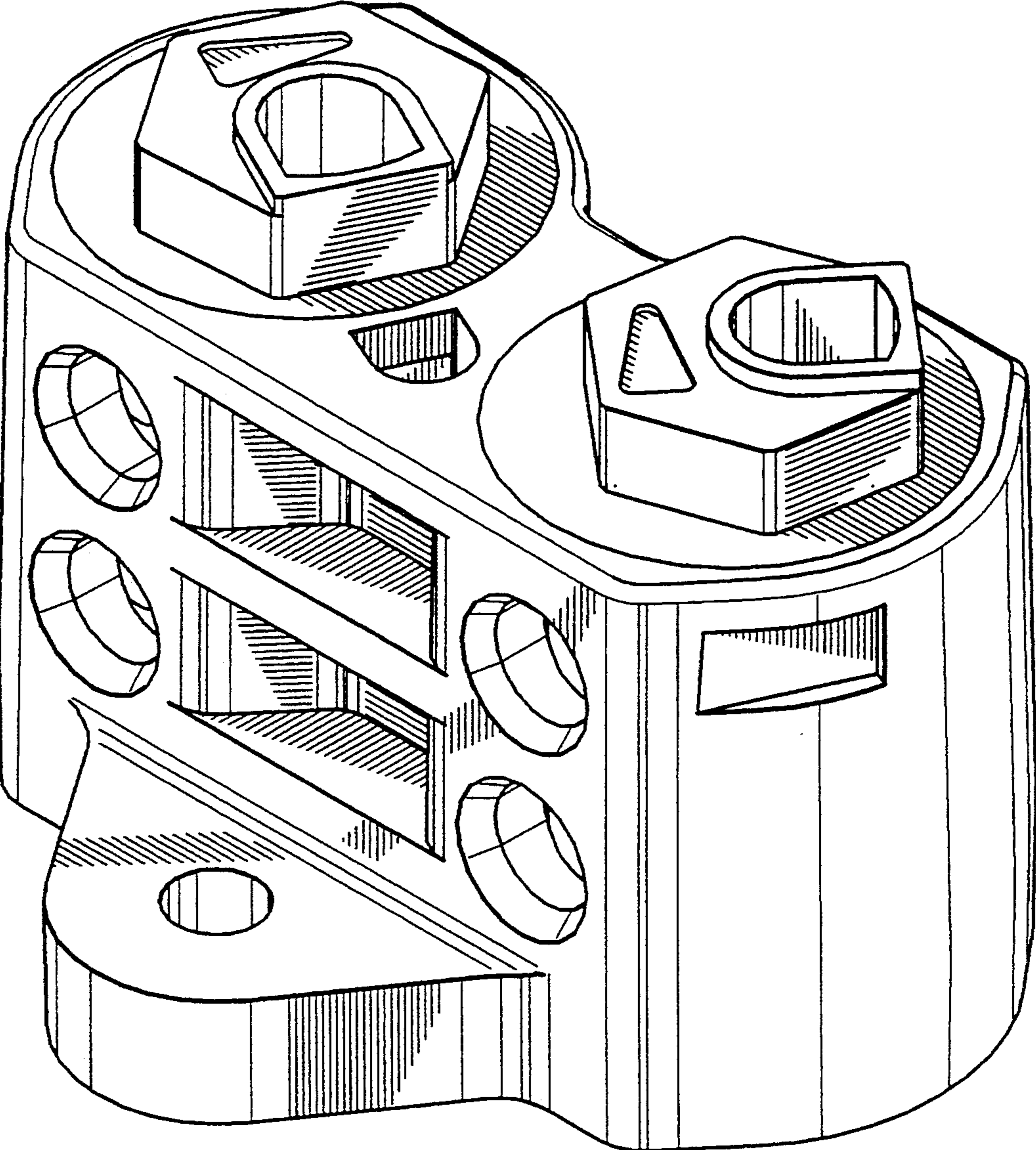


FIG. 1

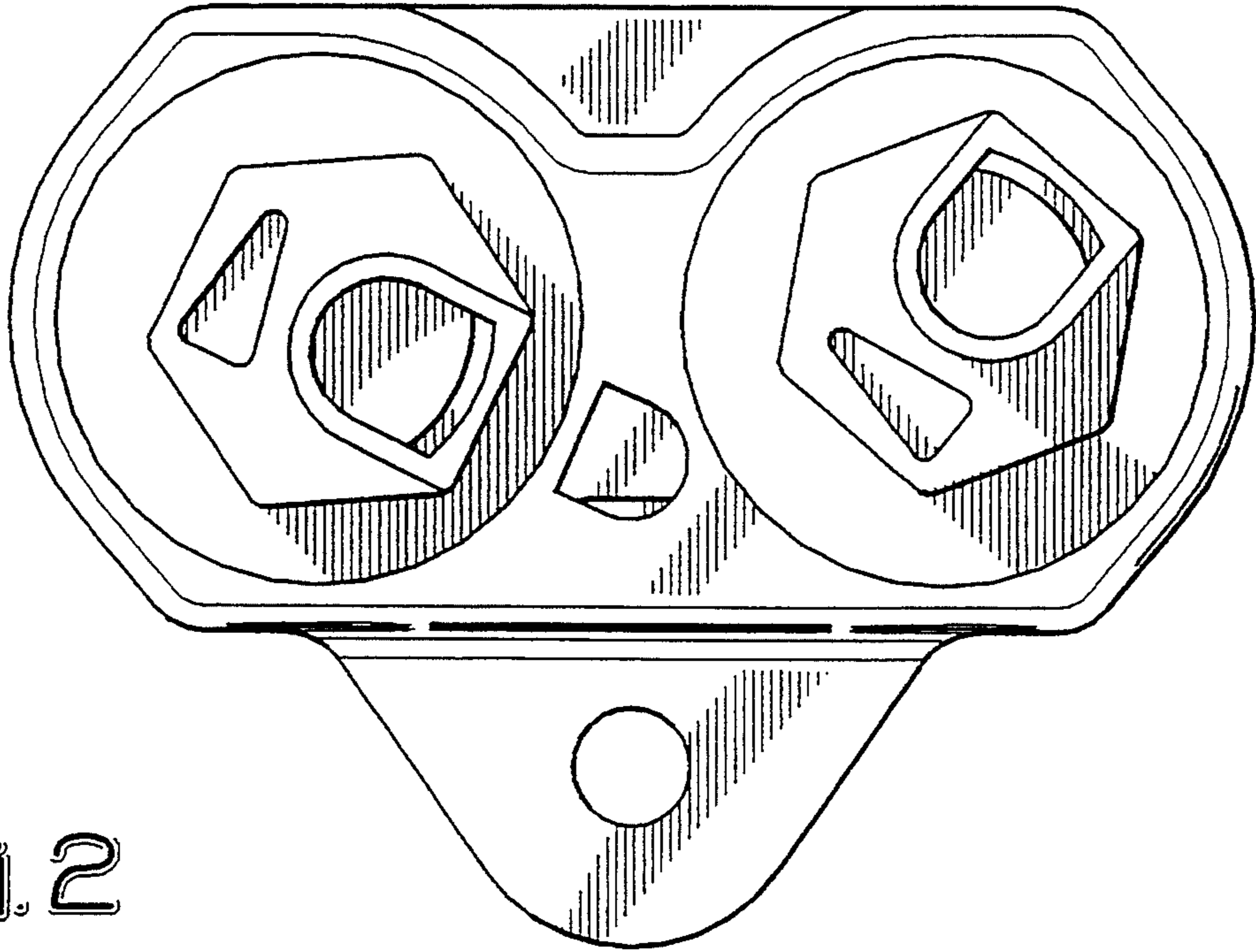


FIG. 2

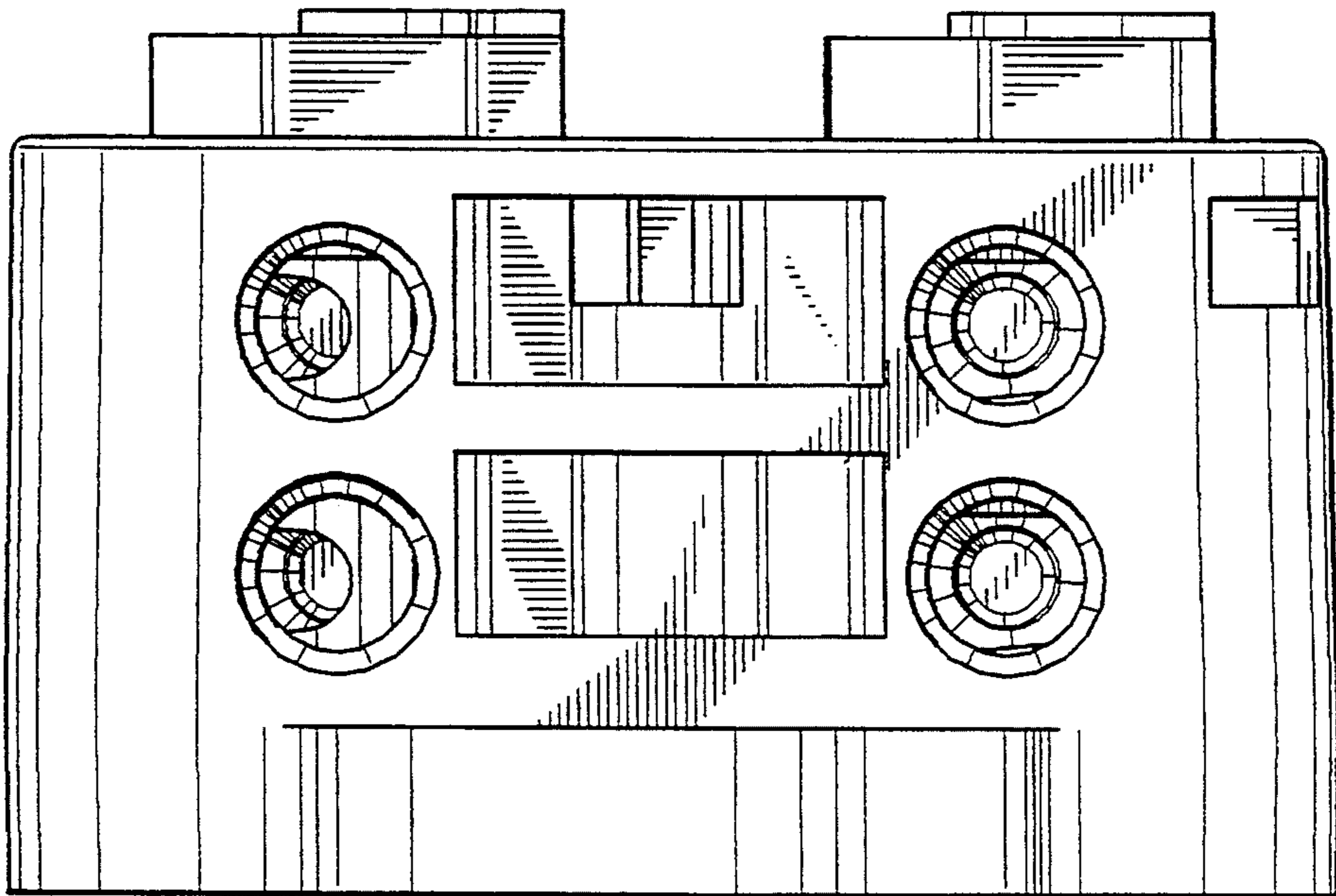


FIG. 3

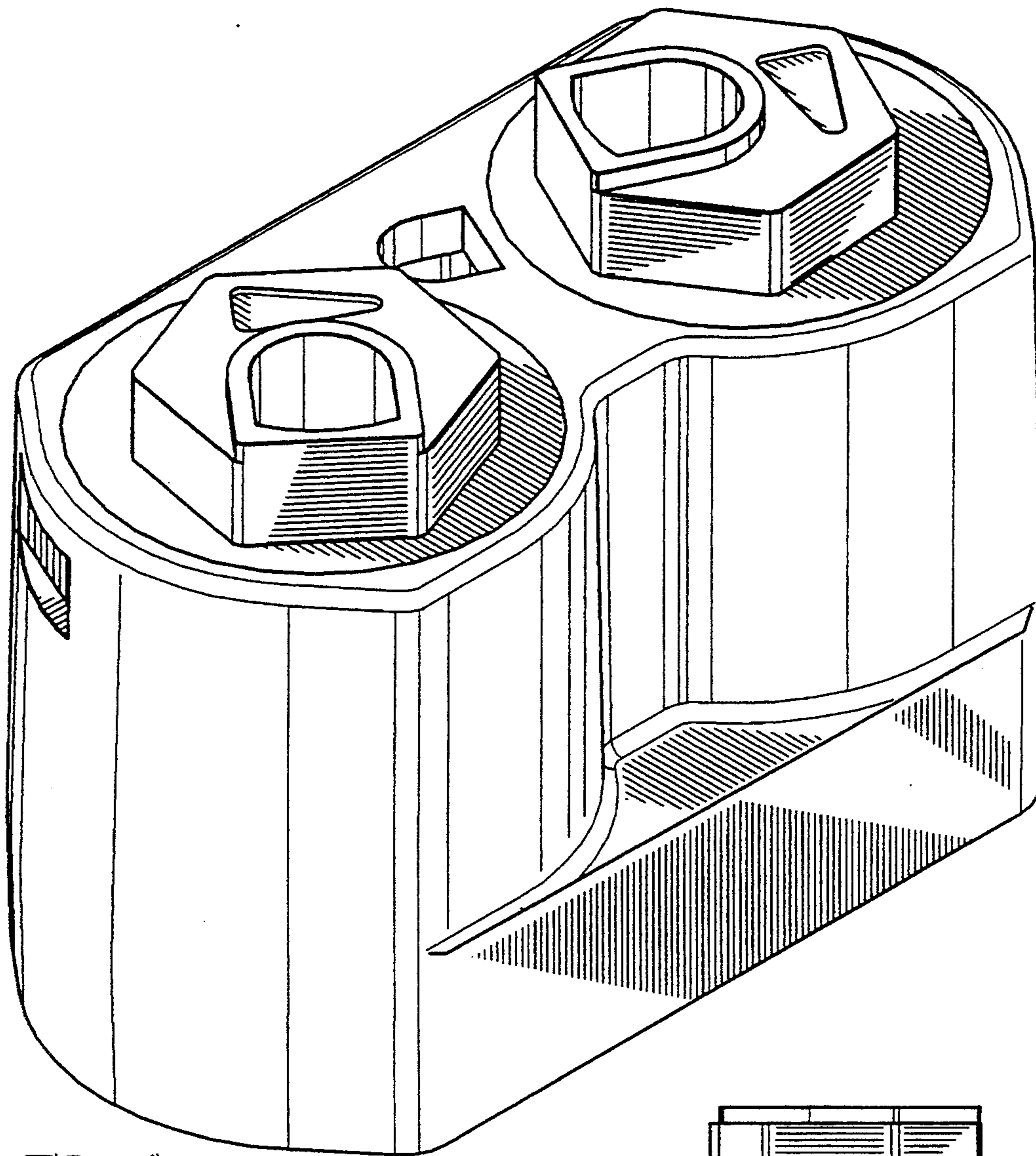


FIG. 4

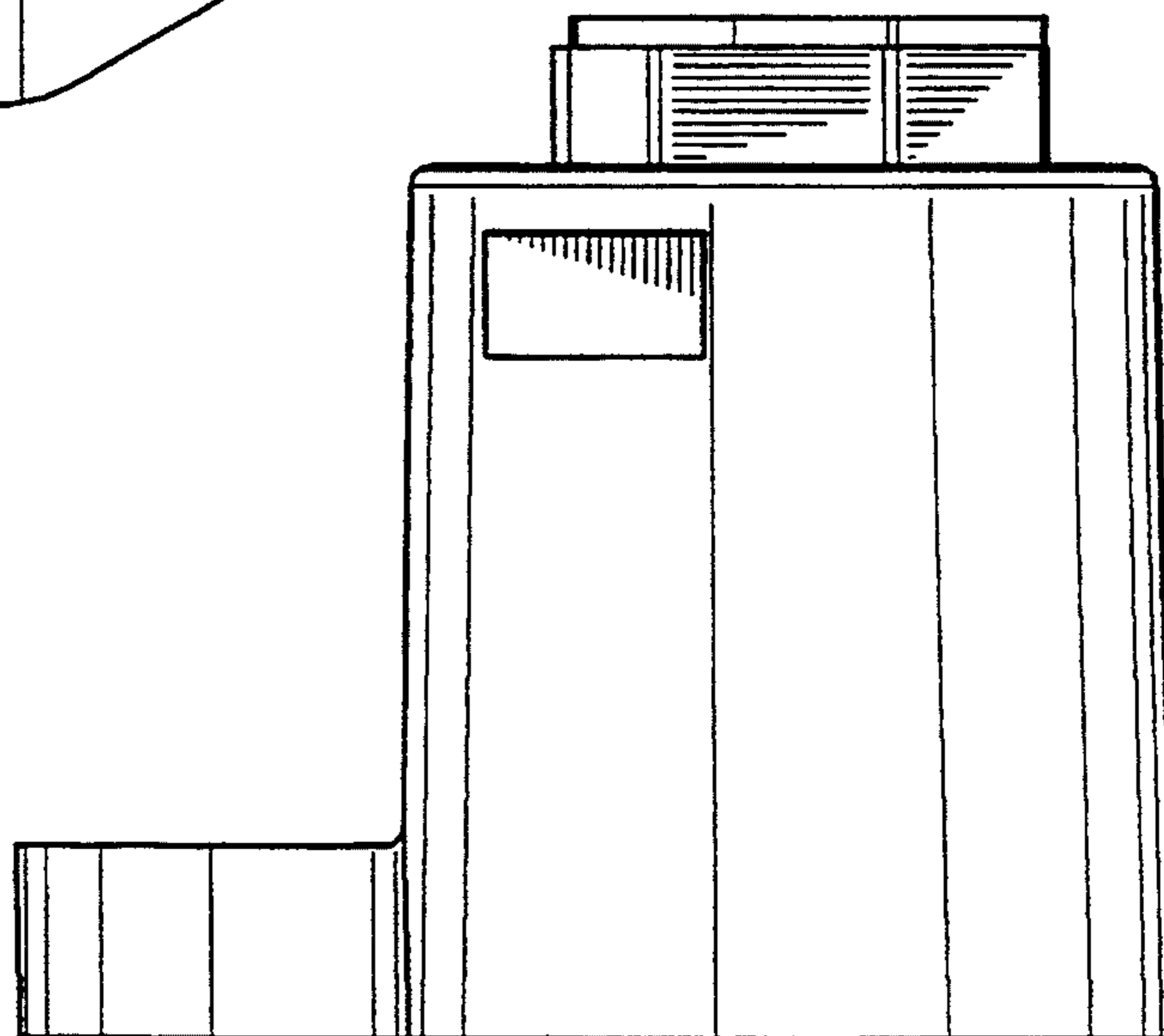


FIG. 5

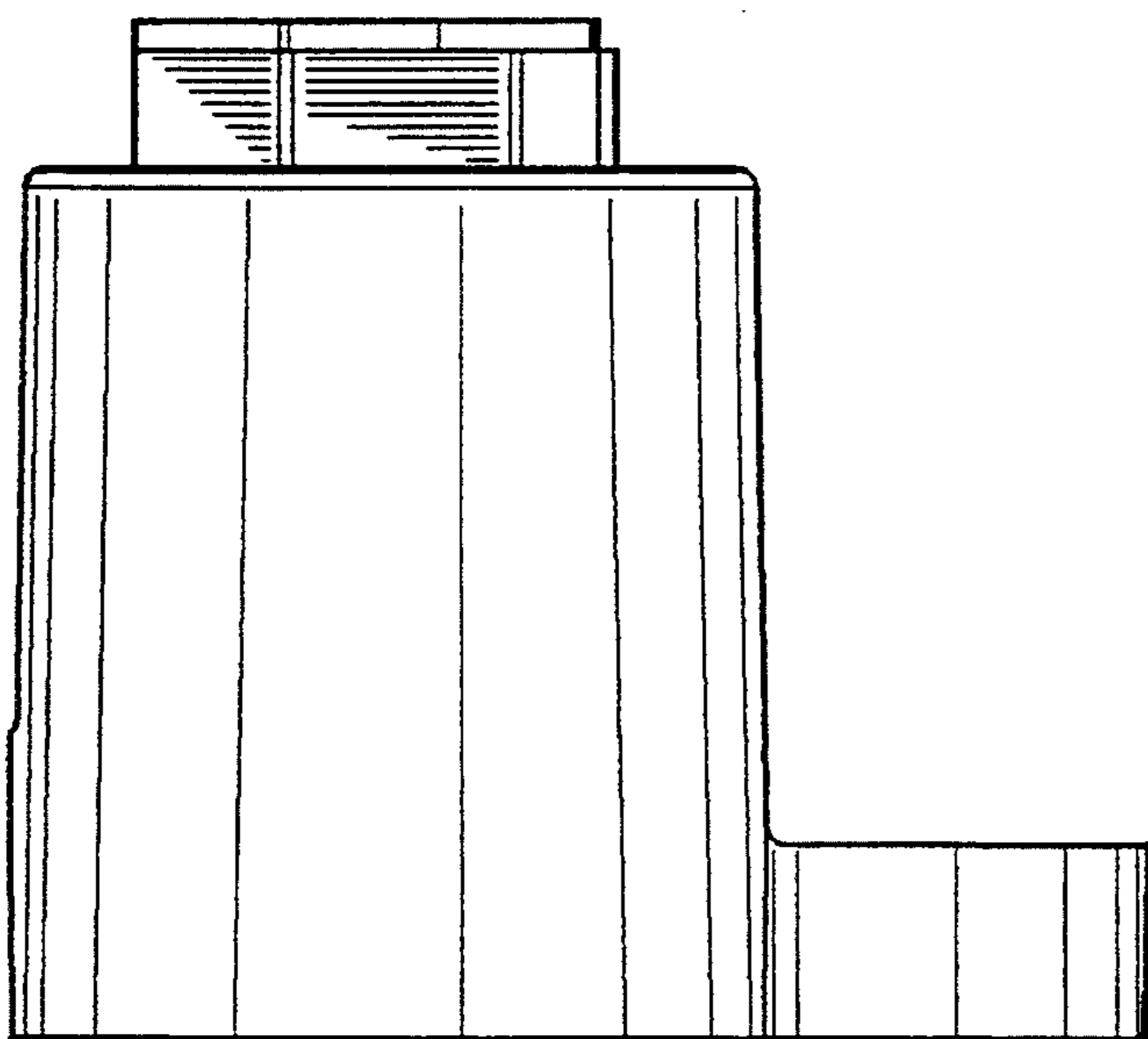


FIG. 6

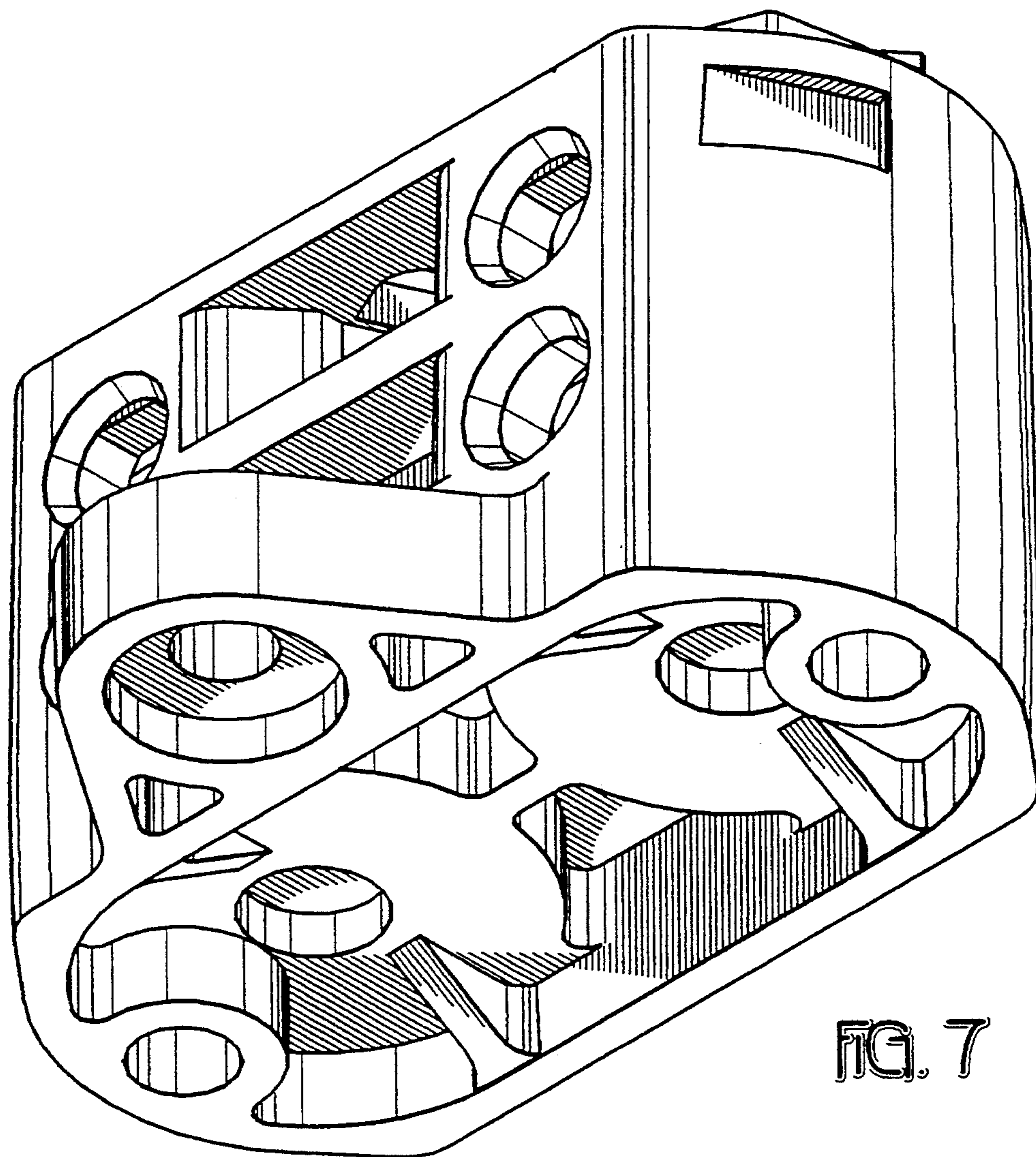


FIG. 7