



US00D355406S

# United States Patent [19]

[11] Patent Number: **Des. 355,406**

Smith

[45] Date of Patent: **\*\* Feb. 14, 1995**

## [54] COMBINED ENVIRONMENTALLY SEALED TELEPHONE TERMINAL MODULE AND COVERED TELEPHONE JACK

[75] Inventor: **Thomas J. Smith**, Bay Shore, N.Y.

[73] Assignee: **TII Industries Inc.**, Copiague, N.Y.

[\*\*] Term: **14 Years**

[21] Appl. No.: **847,228**

[22] Filed: **Mar. 9, 1992**

[52] U.S. Cl. .... **D13/133**

[58] Field of Search ..... **D13/133, 146; 439/133, 439/144, 345, 367, 490, 660, 912; 379/399, 442; 361/356; 174/60 X**

### [56] References Cited

#### U.S. PATENT DOCUMENTS

- 4,588,238 5/1986 Mickelson et al. .... D13/146 X
- 4,979,209 12/1990 Collins et al. .... 379/399
- 5,153,910 10/1992 Mickelson et al. .... 379/399

*Primary Examiner*—Joel Sincavage  
*Attorney, Agent, or Firm*—Martin Sachs

## [57] CLAIM

A combined environmentally sealed telephone terminal module and covered telephone jack, as shown and described in the drawings.

## DESCRIPTION

FIG. 1 is a front and upper left isometric view of a combined environmentally sealed telephone terminal module and covered telephone jack showing my new design;

FIG. 2 is a front and upper left isometric view thereof shown with the cover in the open position;

FIG. 3 is a left side elevational view of a combined environmentally sealed telephone terminal module and covered telephone jack shown with the cover removed for convenience of illustration;

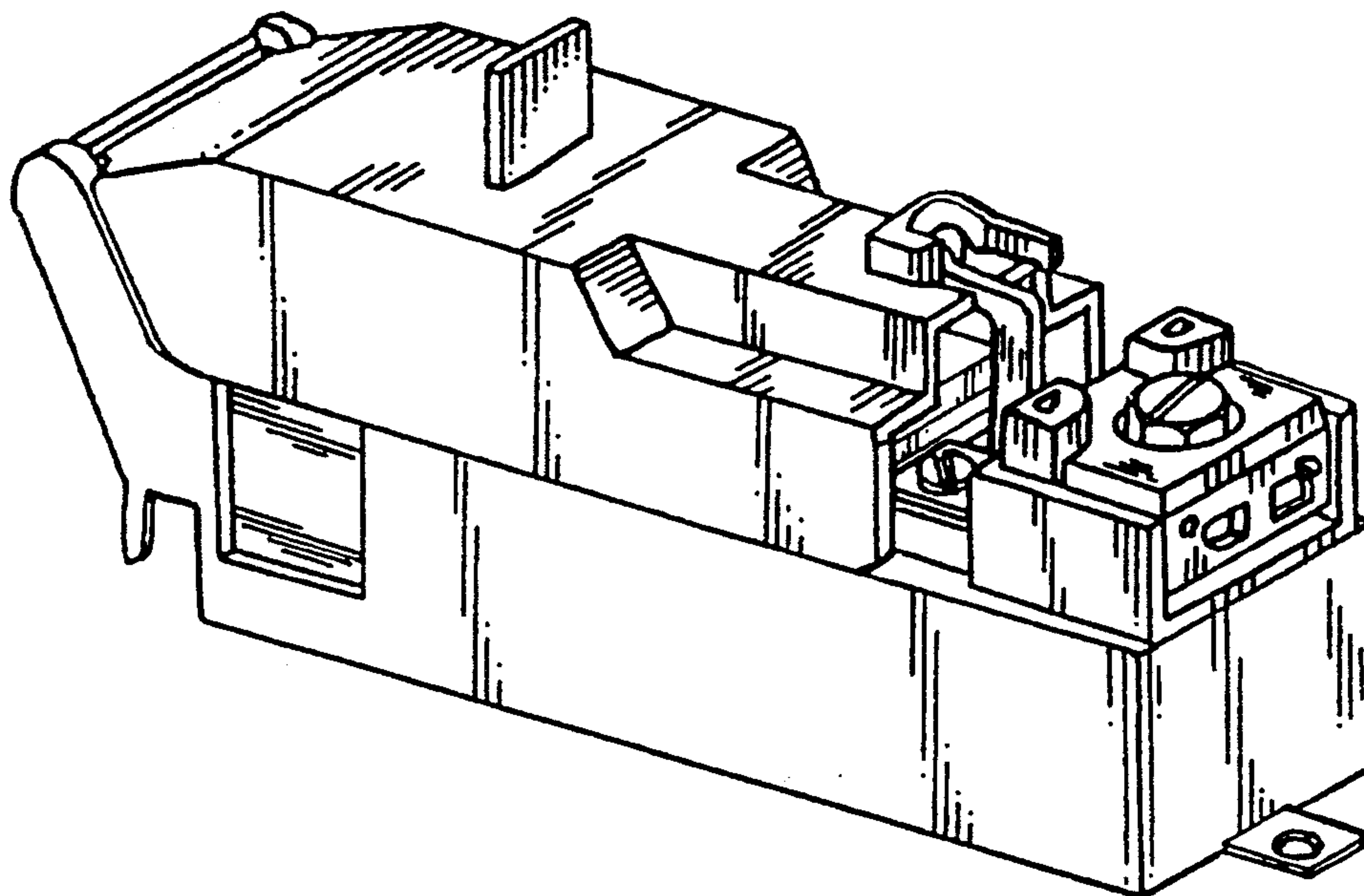
FIG. 4 is a right side elevational view, thereof for convenience of illustrative;

FIG. 5 is a front elevational view, thereof;

FIG. 6 is a rear elevational view, thereof;

FIG. 7 is a top plan view; and,

FIG. 8 is a bottom plan view, thereof, the broken line showing is included for the purpose of illustrating environmental elements only and forms no part of the claimed design.



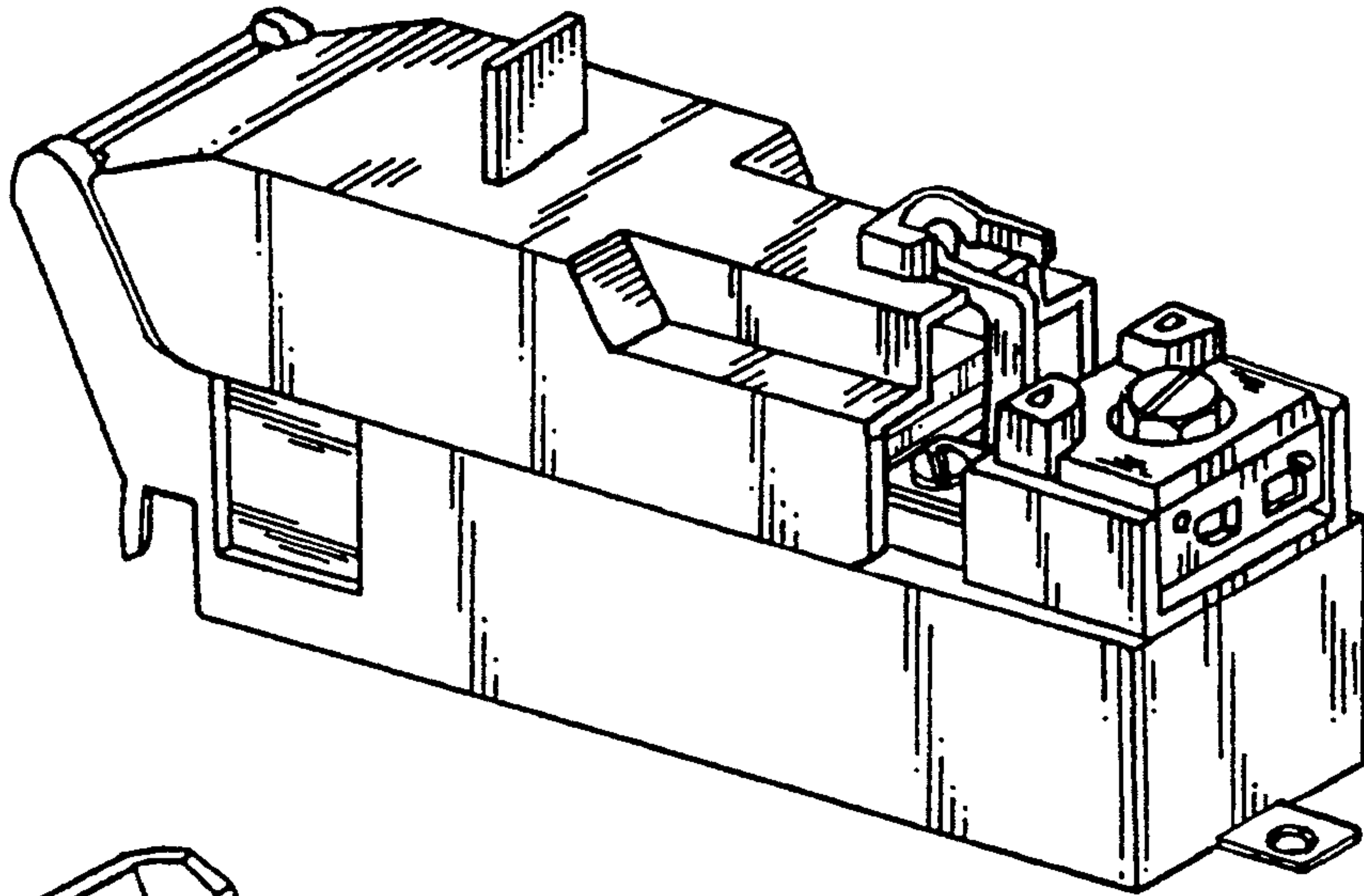


FIG. 1

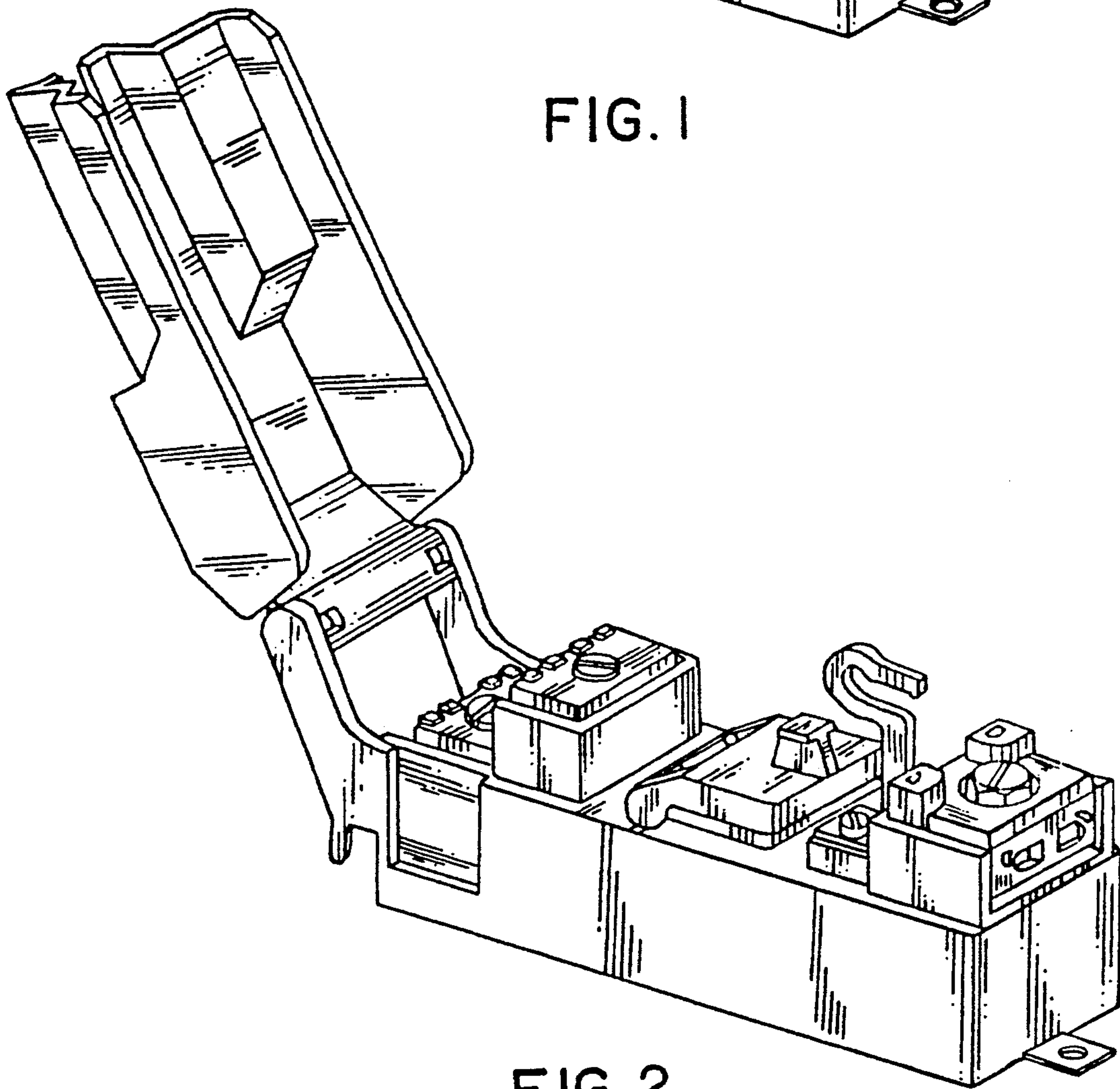


FIG. 2

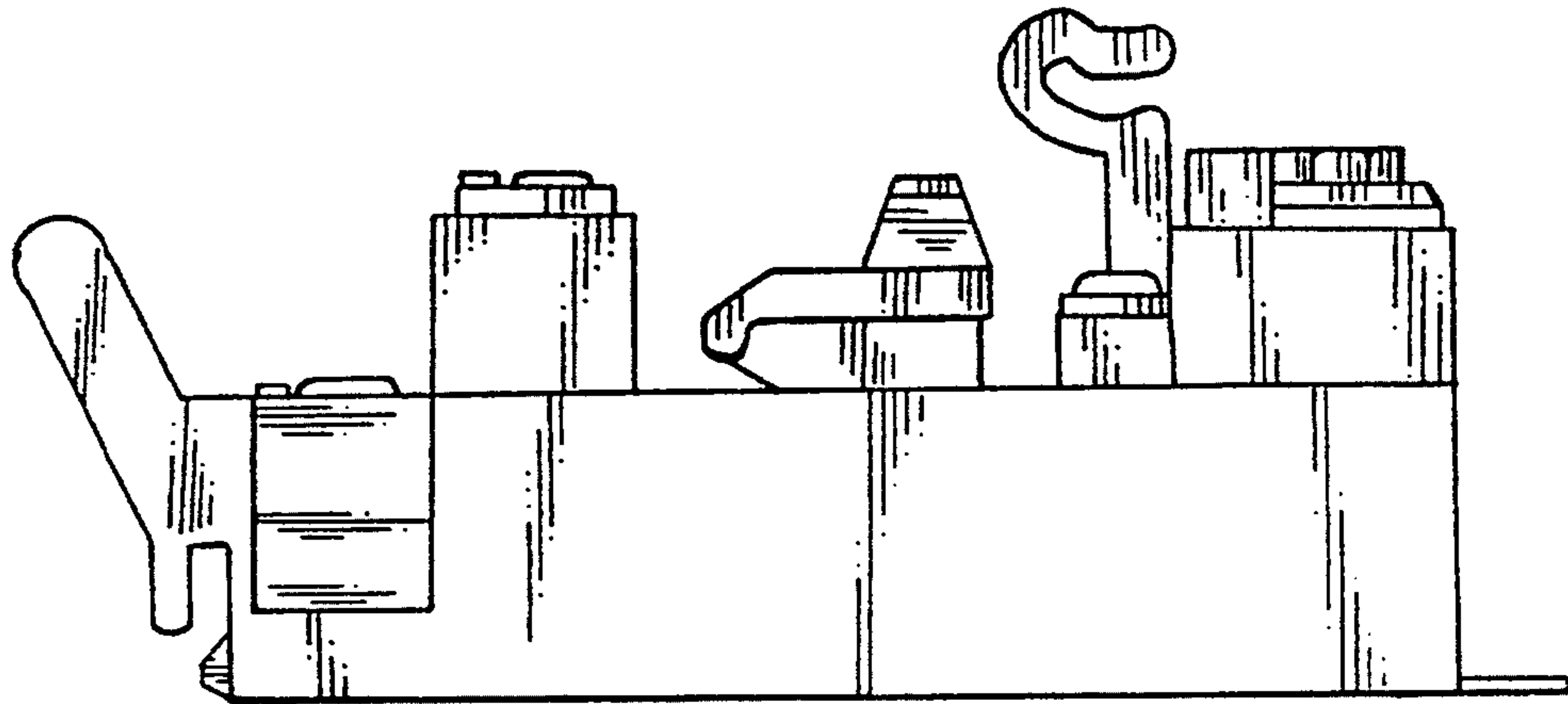


FIG. 3

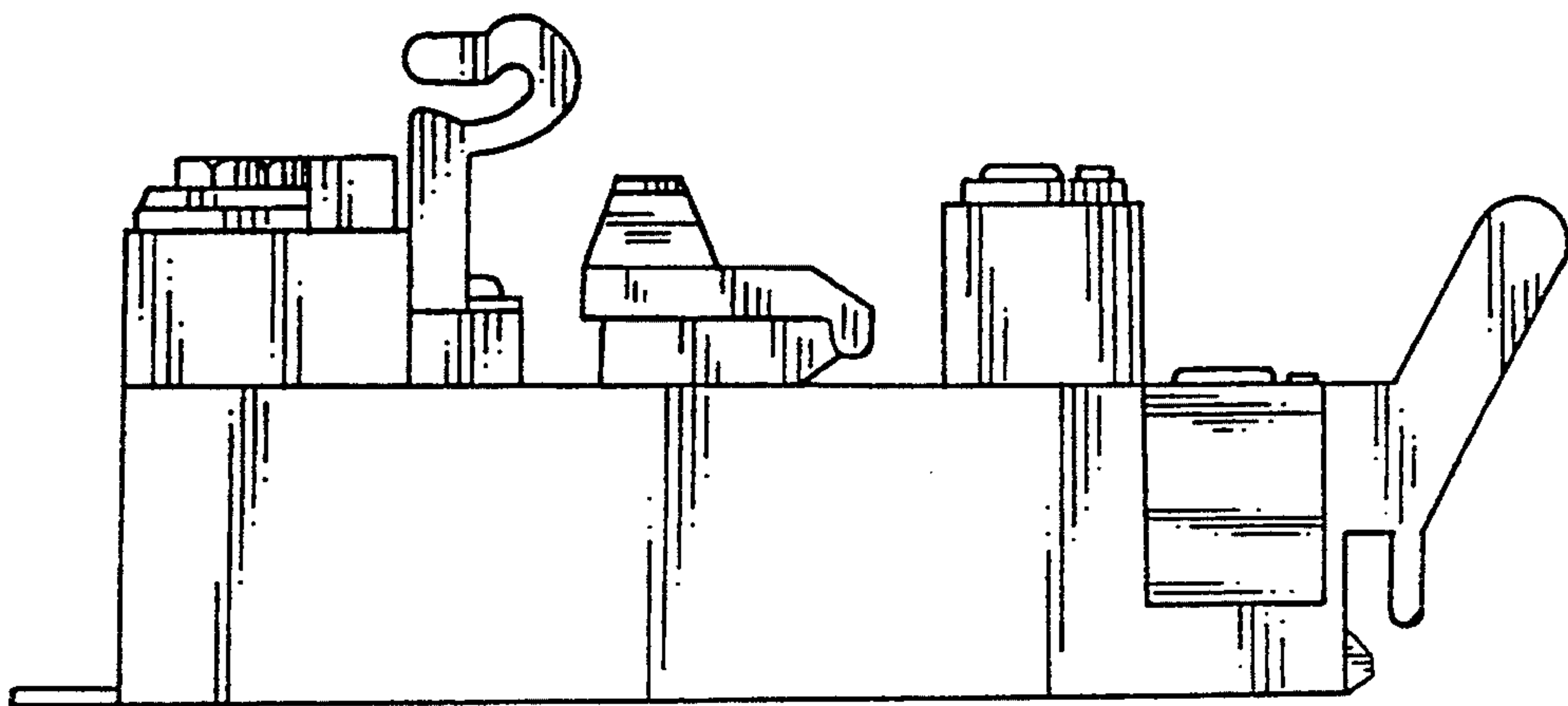


FIG. 4

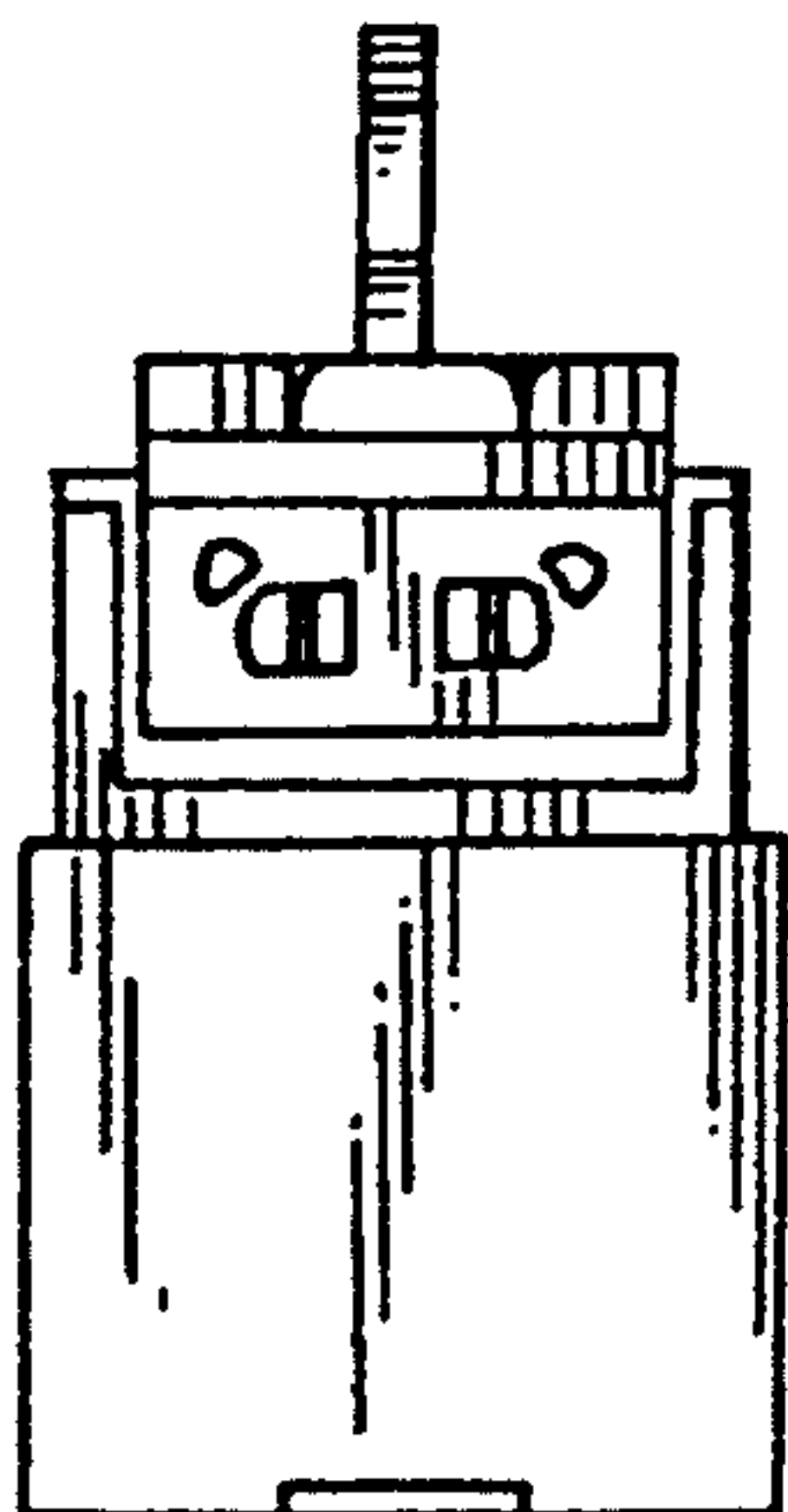


FIG. 5

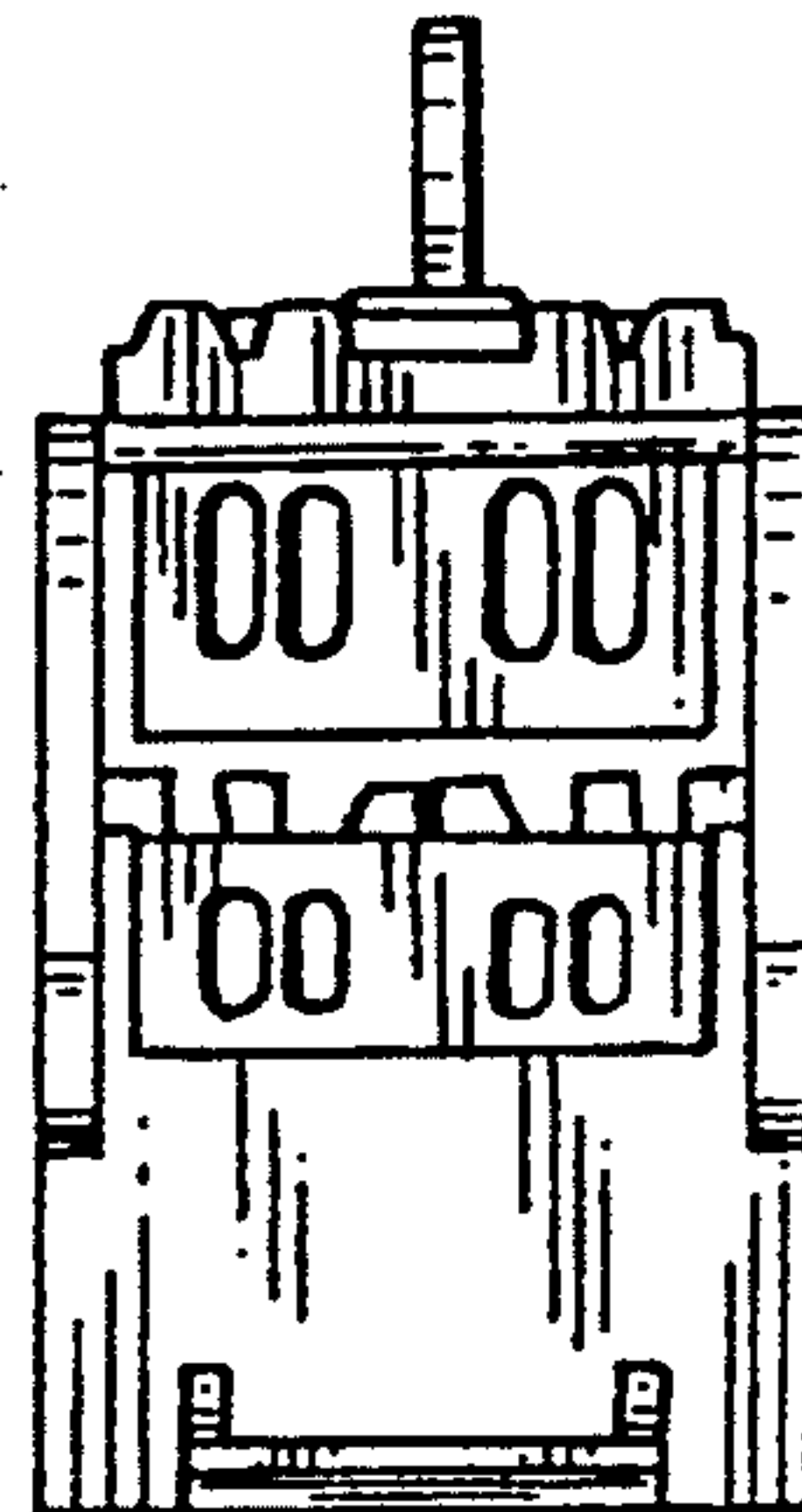


FIG. 6



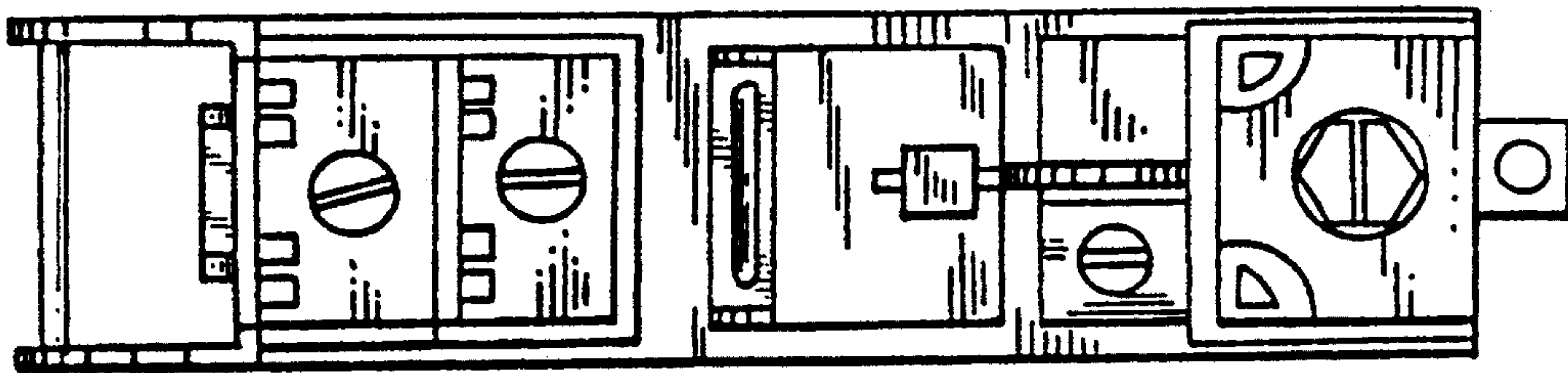


FIG. 7

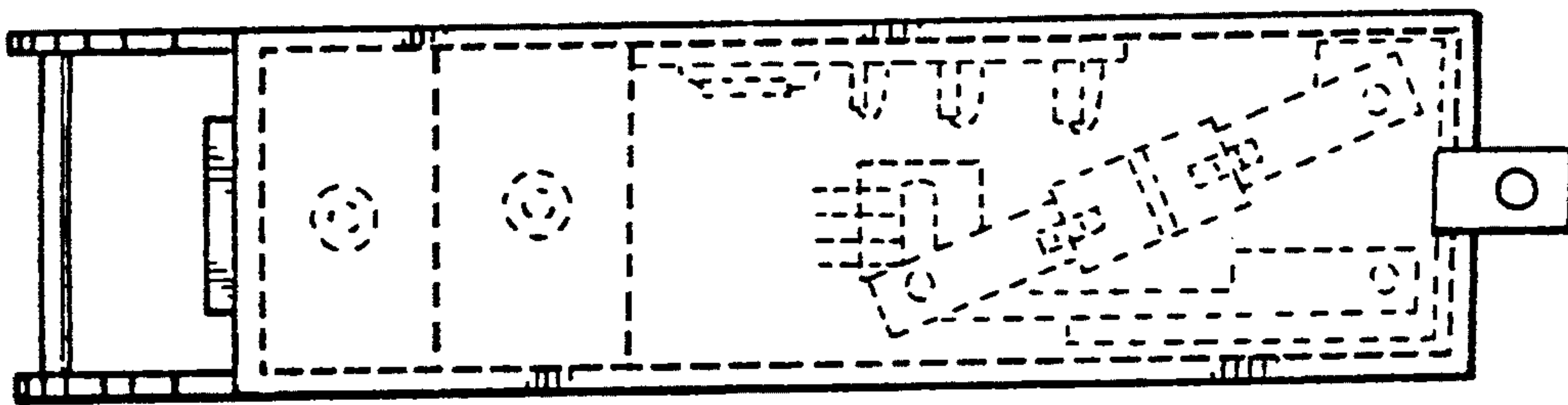


FIG. 8